



US00D673961S

(12) **United States Design Patent**
Matsui et al.

(10) **Patent No.:** **US D673,961 S**
(45) **Date of Patent:** **** Jan. 8, 2013**

(54) **OPENABLE STAND FOR PORTABLE ELECTRONIC COMPUTER**

(75) Inventors: **Takayoshi Matsui**, Kyoto (JP);
Kazuhiko Koriyama, Kyoto (JP)

(73) Assignee: **Nintendo Co., Ltd.**, Kyoto (JP)

(**) Term: **14 Years**

(21) Appl. No.: **29/425,278**

(22) Filed: **Jun. 21, 2012**

(30) **Foreign Application Priority Data**

Feb. 9, 2012 (JP) 2012-002755

(51) **LOC (9) Cl.** **08-07**

(52) **U.S. Cl.** **D14/447**

(58) **Field of Classification Search** D14/447,
D14/432, 434, 433, 439, 440, 448, 451, 452,
D14/457, 460, 217, 239, 238.1, 250, 251,
D14/253, 203.8, 341, 336, 371, 372, 374,
D14/375, 376, 377, 378, 379, 392; D13/107,
D13/108; D3/218; D6/406.1, 406.3, 406.4,
D6/406.5, 406.6, 419, 420, 429, 396, 449,
D6/466, 467, 471; 361/679.02, 679.09, 679.19,
361/679.21, 679.22, 679.23, 679.26, 679.27,
361/679.3, 679.55, 679.56, 679.6; 248/917-924,
248/136, 150, 152, 153, 371, 166, 176.1,
248/176.3, 188.6, 676, 678, 441.1, 444.1,
248/447, 447.1, 447.2, 451, 454, 455, 456,
248/460, 463, 465.1; D21/333

See application file for complete search history.

(56) **References Cited**

U.S. PATENT DOCUMENTS

D328,314 S * 7/1992 MacEwan D19/91
D344,197 S * 2/1994 Numbers D6/419
D437,709 S * 2/2001 Edstrom D6/406.4

D557,698 S * 12/2007 Lye D14/447
D573,598 S * 7/2008 Chu D14/447
D582,486 S 12/2008 Ashida et al.
D589,962 S 4/2009 Maruyama et al.
D590,404 S * 4/2009 Kim et al. D14/447
D605,233 S 12/2009 Ashida et al.
7,828,260 B2 * 11/2010 Hauser et al. 248/456
D637,583 S * 5/2011 Beal et al. D14/217
D638,019 S * 5/2011 Weisshaupt D14/434
D644,230 S * 8/2011 Lin D14/447
D656,500 S * 3/2012 Maruyama et al. D14/447
D666,174 S * 8/2012 Du et al. D14/217
2008/0006753 A1 * 1/2008 Campagnoli et al. 248/398

* cited by examiner

Primary Examiner — Angela J Lee

(74) *Attorney, Agent, or Firm* — Nixon & Vanderhye, P.C.

(57) **CLAIM**

The ornamental design for an openable stand for portable electronic computer, as shown and described.

DESCRIPTION

FIG. 1 is a front view of an openable stand for portable electronic computer showing our new design;
FIG. 2 is a rear view thereof;
FIG. 3 is a top plan view thereof;
FIG. 4 is a bottom plan view thereof;
FIG. 5 is a right side view thereof, a left side view being a mirror image thereof.
FIG. 6 is a front view of thereof in an opened state;
FIG. 7 is a rear view thereof in the opened state;
FIG. 8 is a top plan view thereof in the opened state;
FIG. 9 is a bottom plan view thereof in the opened state;
FIG. 10 is a right side view thereof in the opened state, a left side view being a mirror image thereof;
FIG. 11 is a front, right and top perspective view thereof in the opened state; and,
FIG. 12 is a rear, left and bottom perspective view thereof in the opened state.

1 Claim, 4 Drawing Sheets

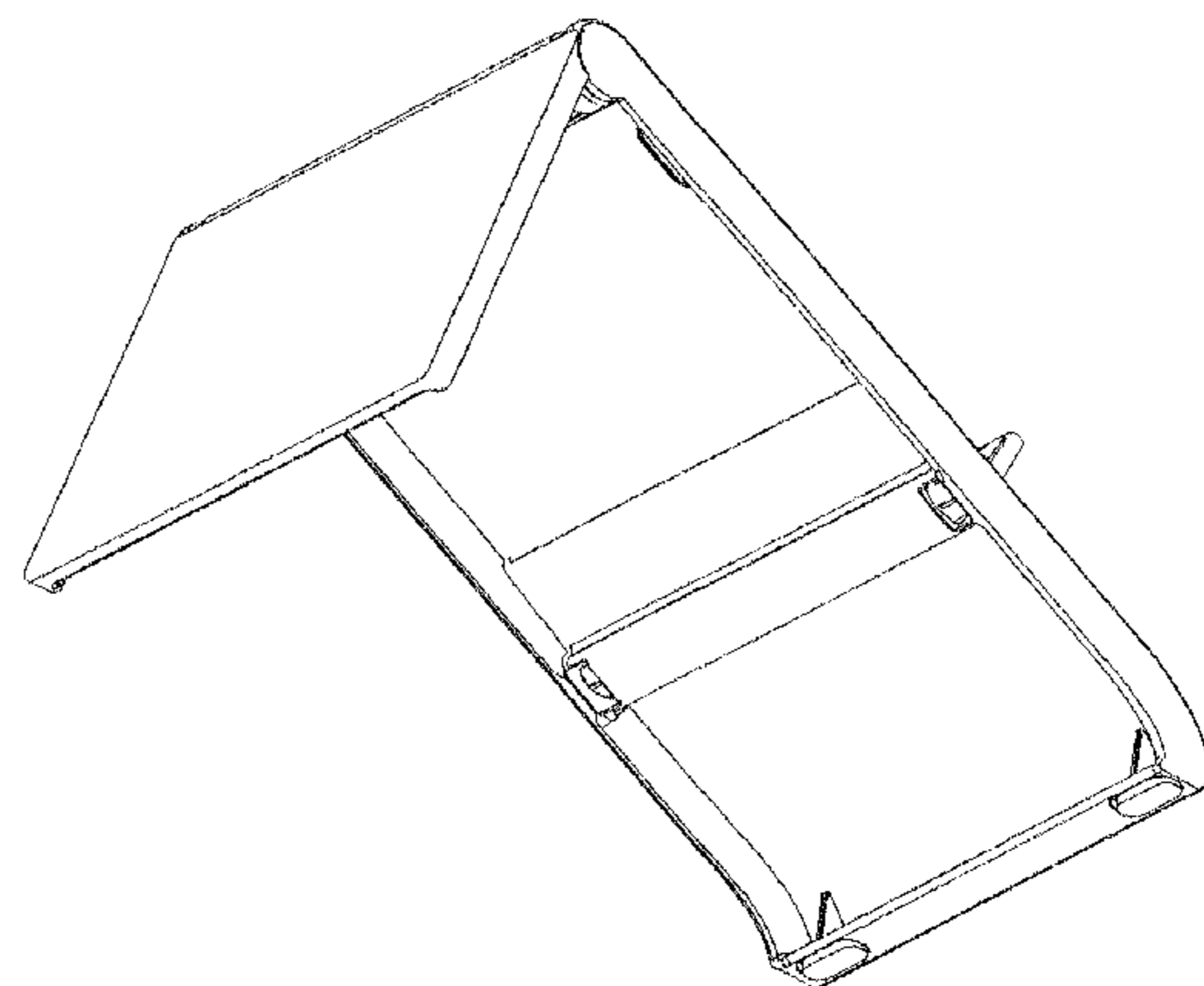
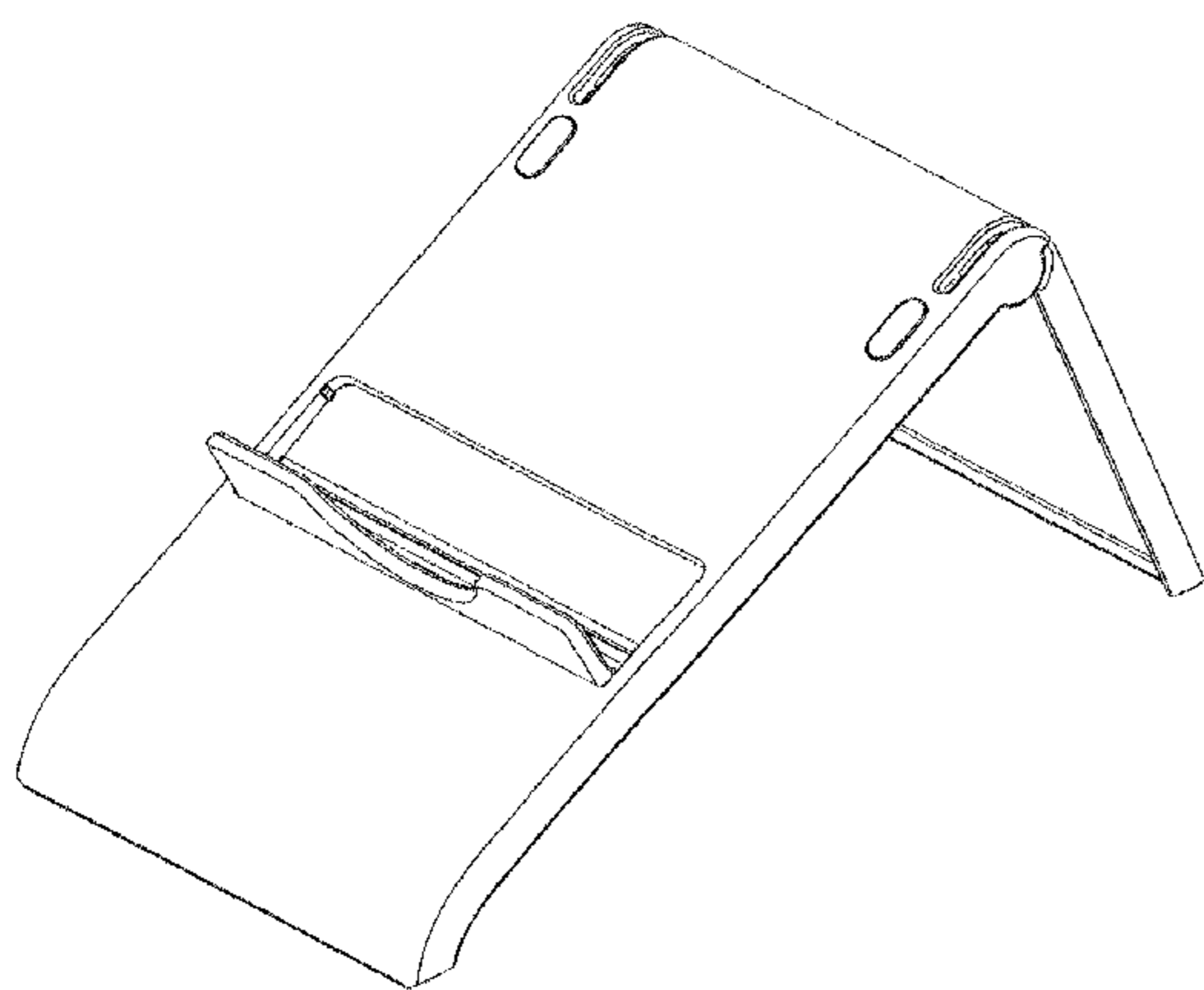


FIG. 1

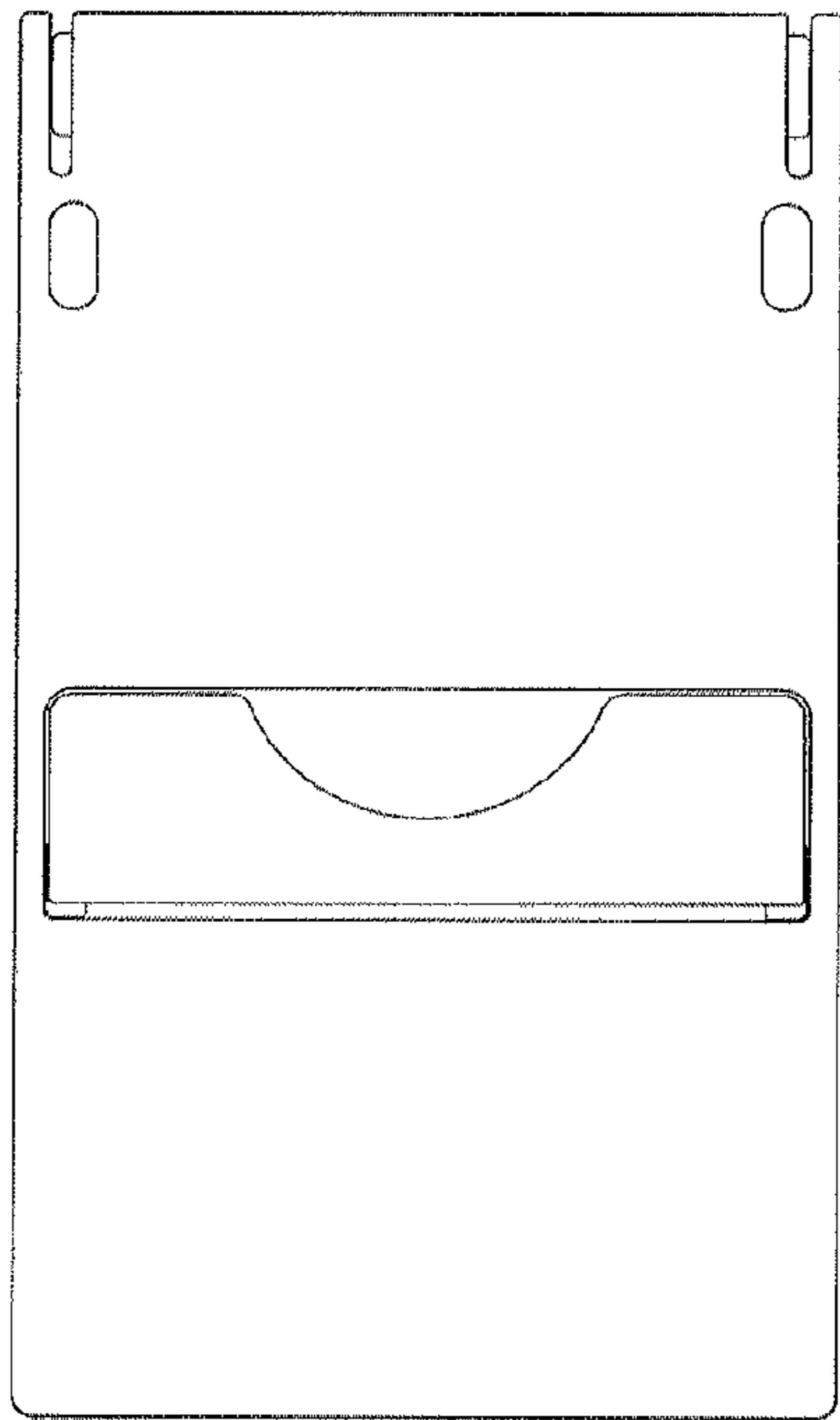


FIG. 2

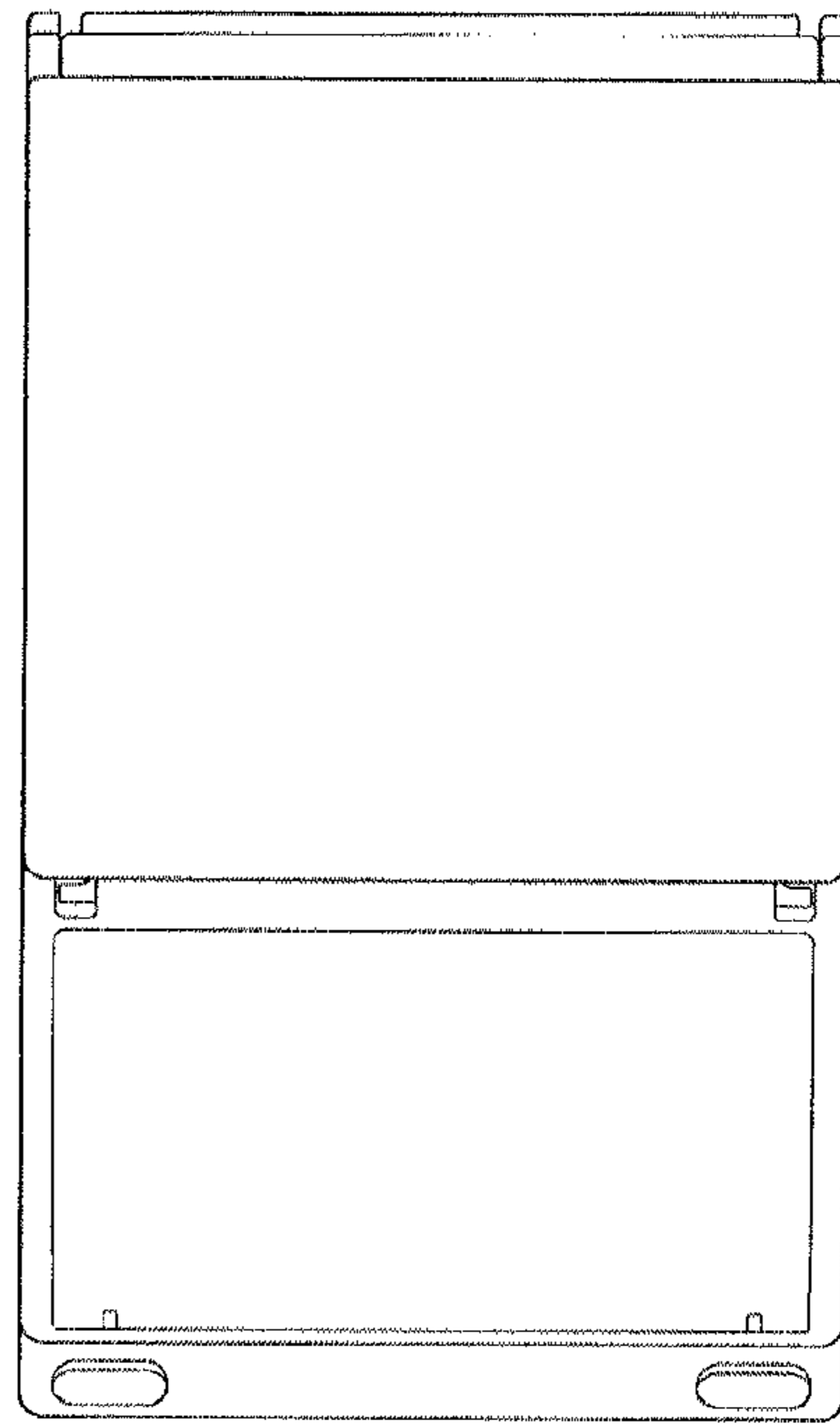


FIG. 3

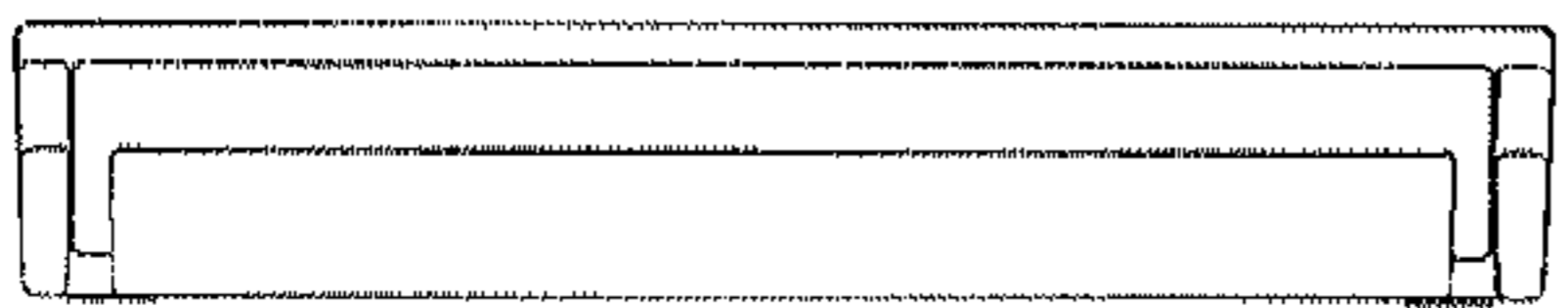


FIG. 4

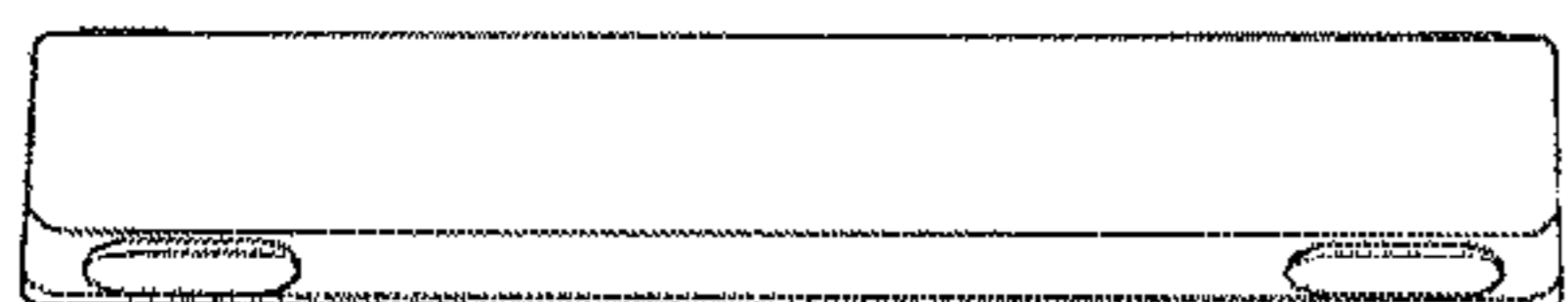


FIG. 5

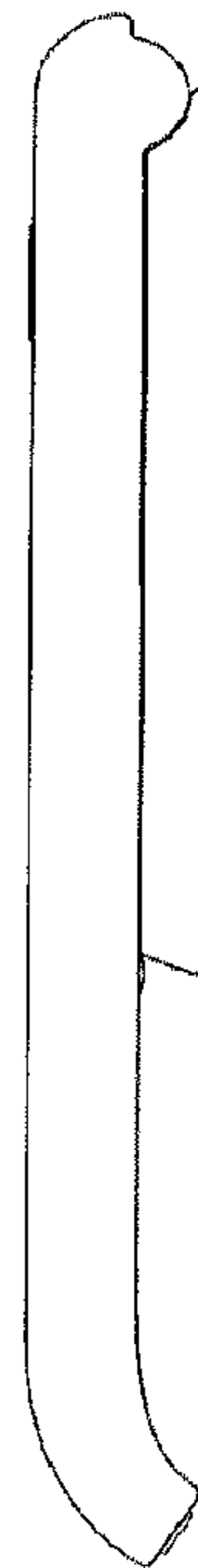


FIG. 6

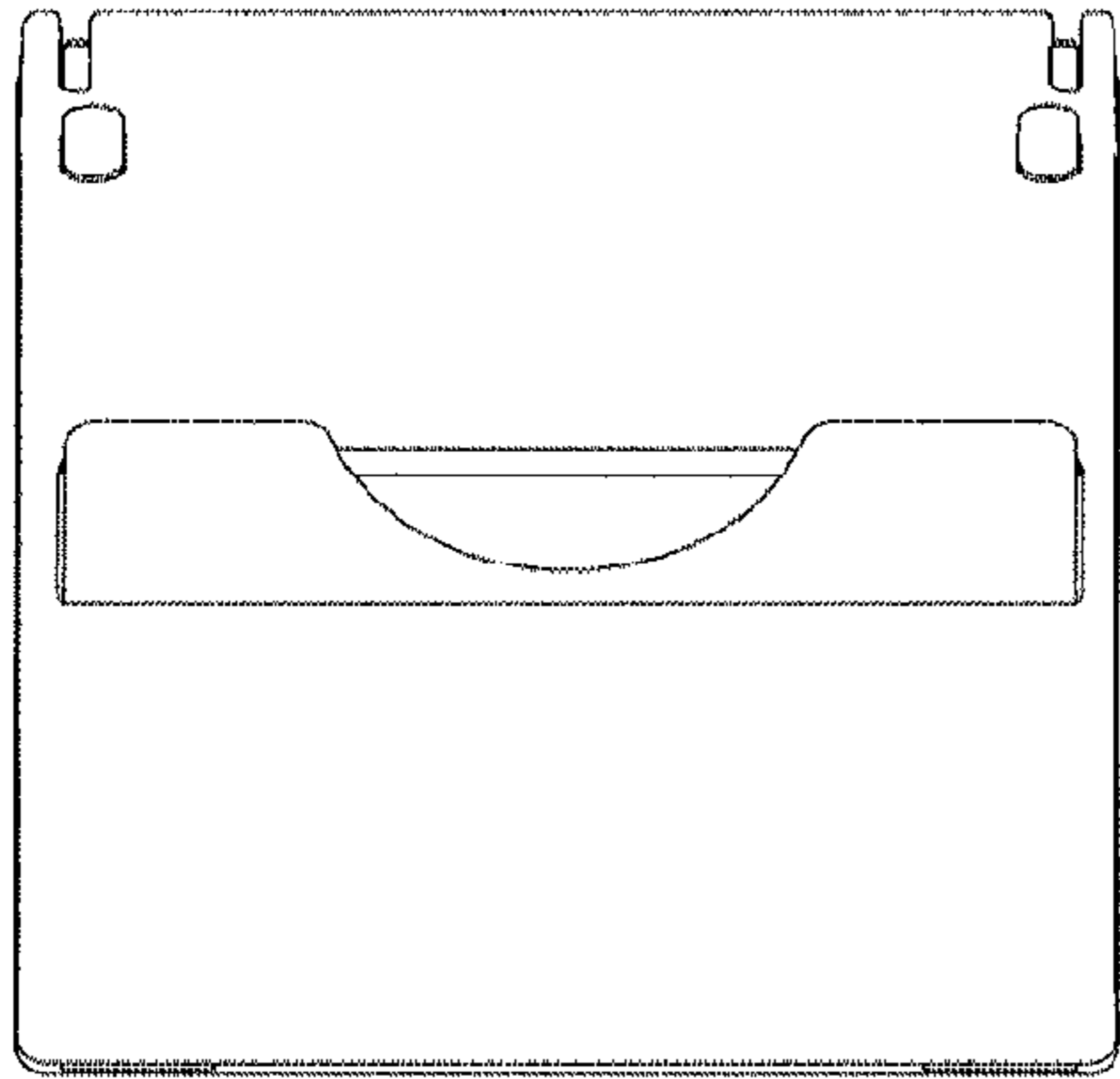


FIG. 7

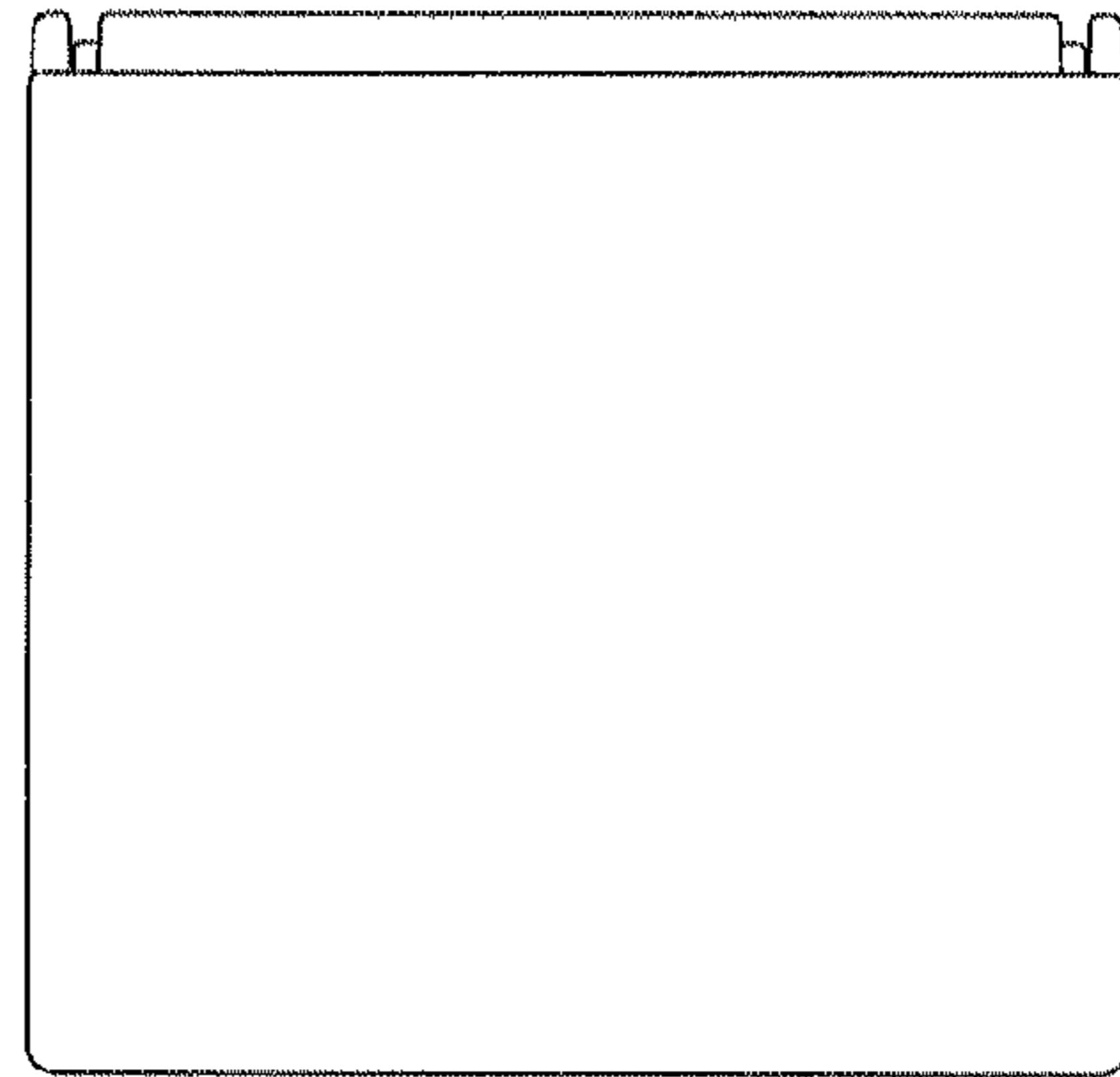


FIG. 8

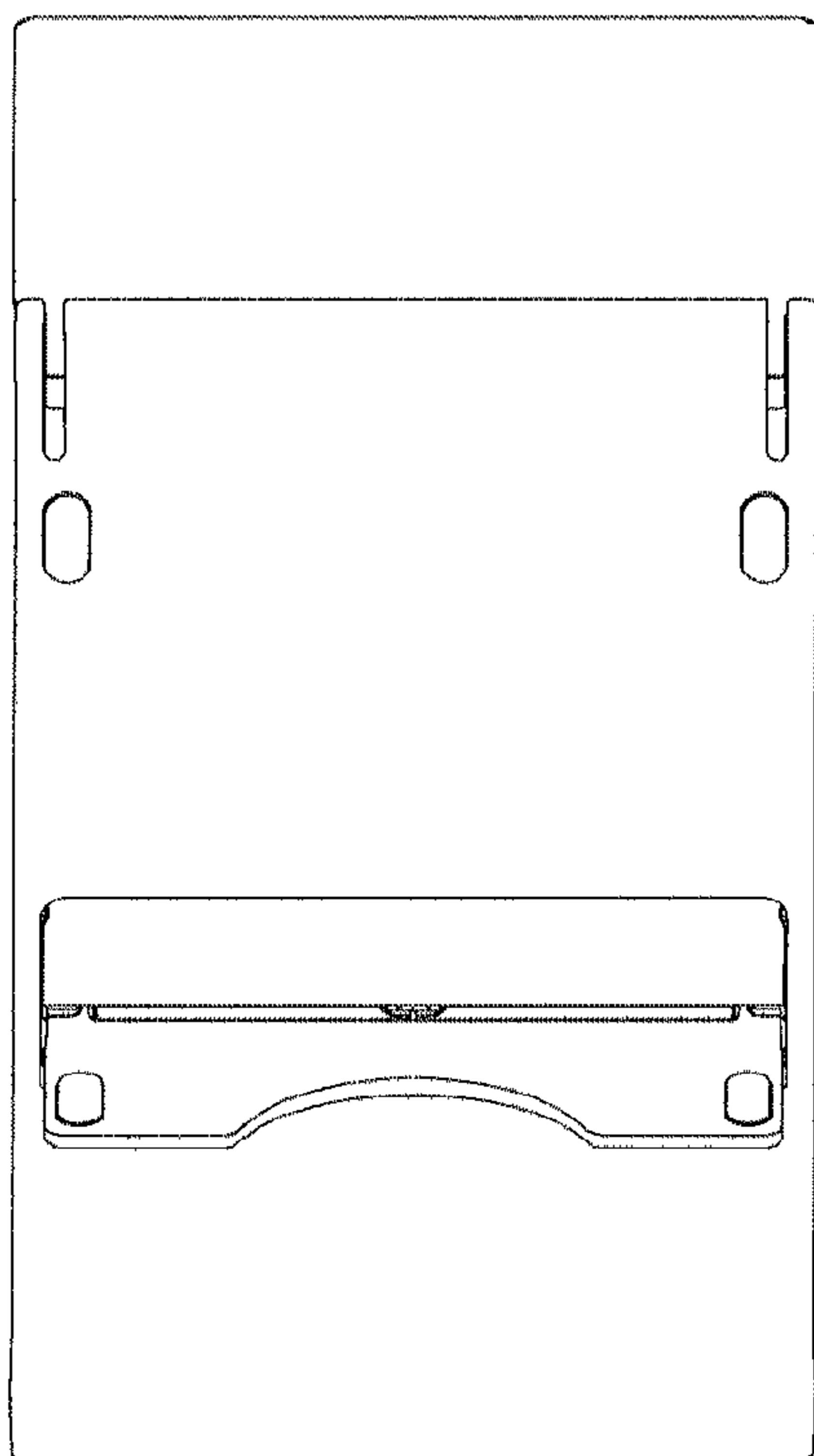


FIG. 9

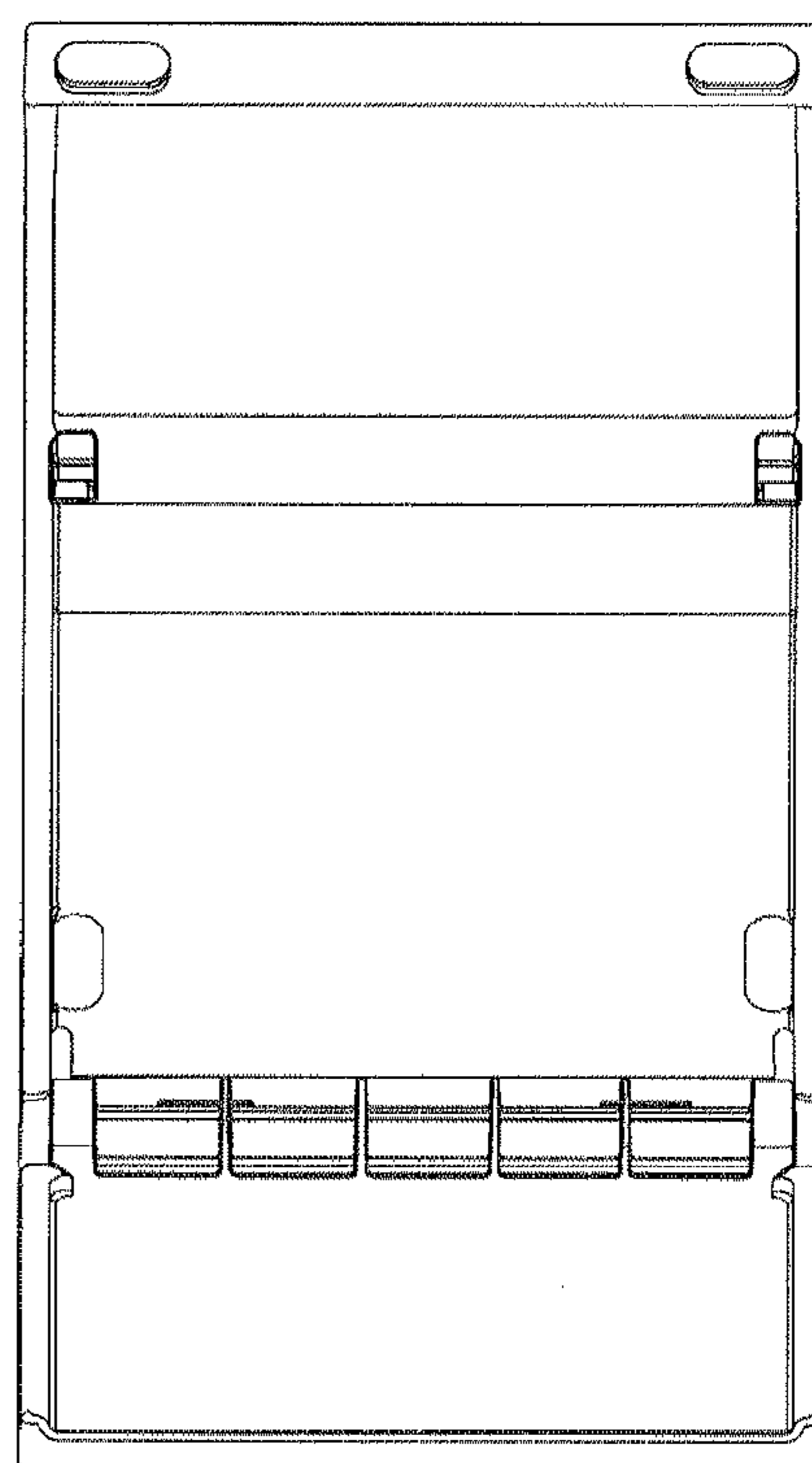


FIG. 10

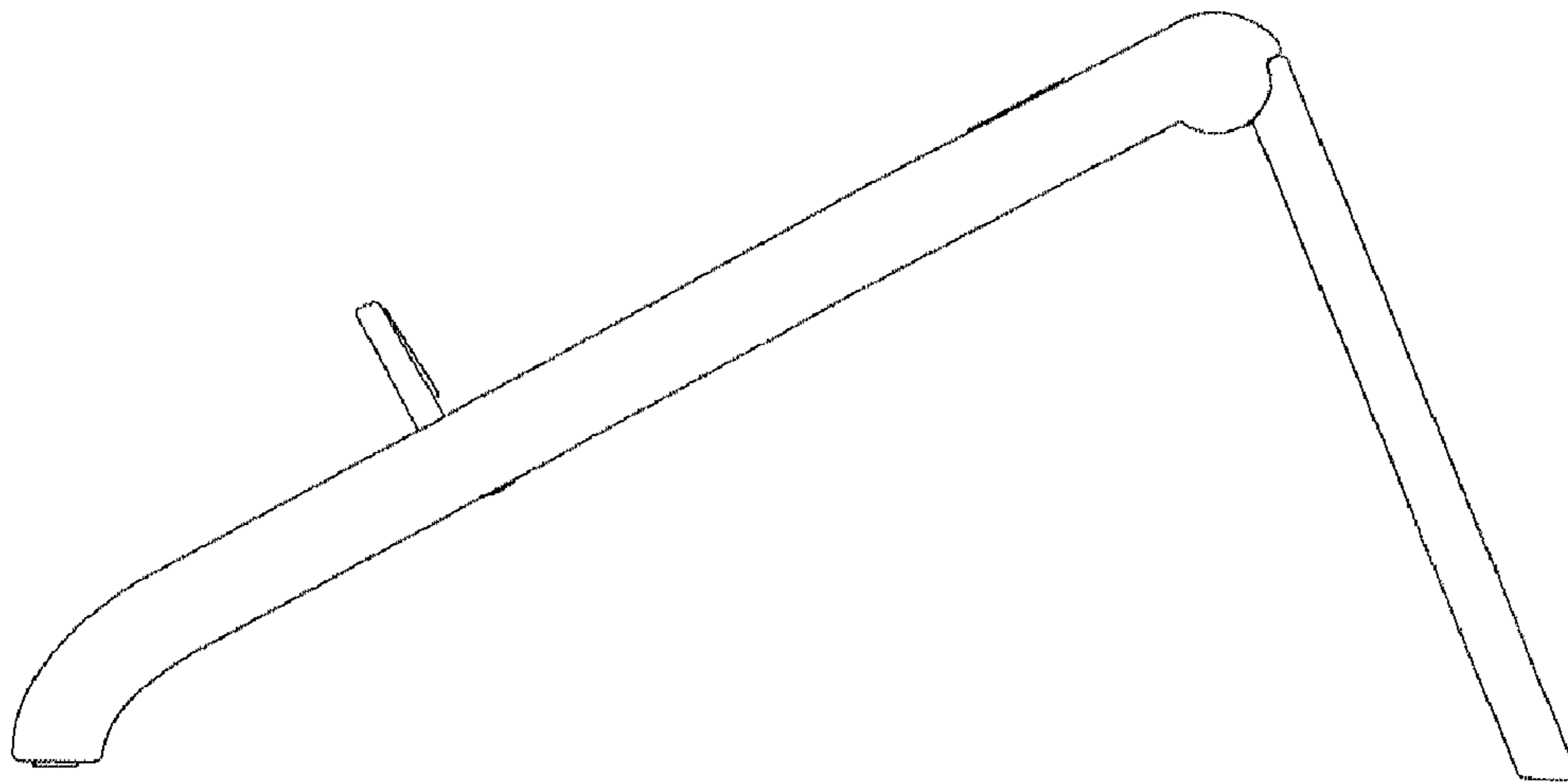


FIG. 11

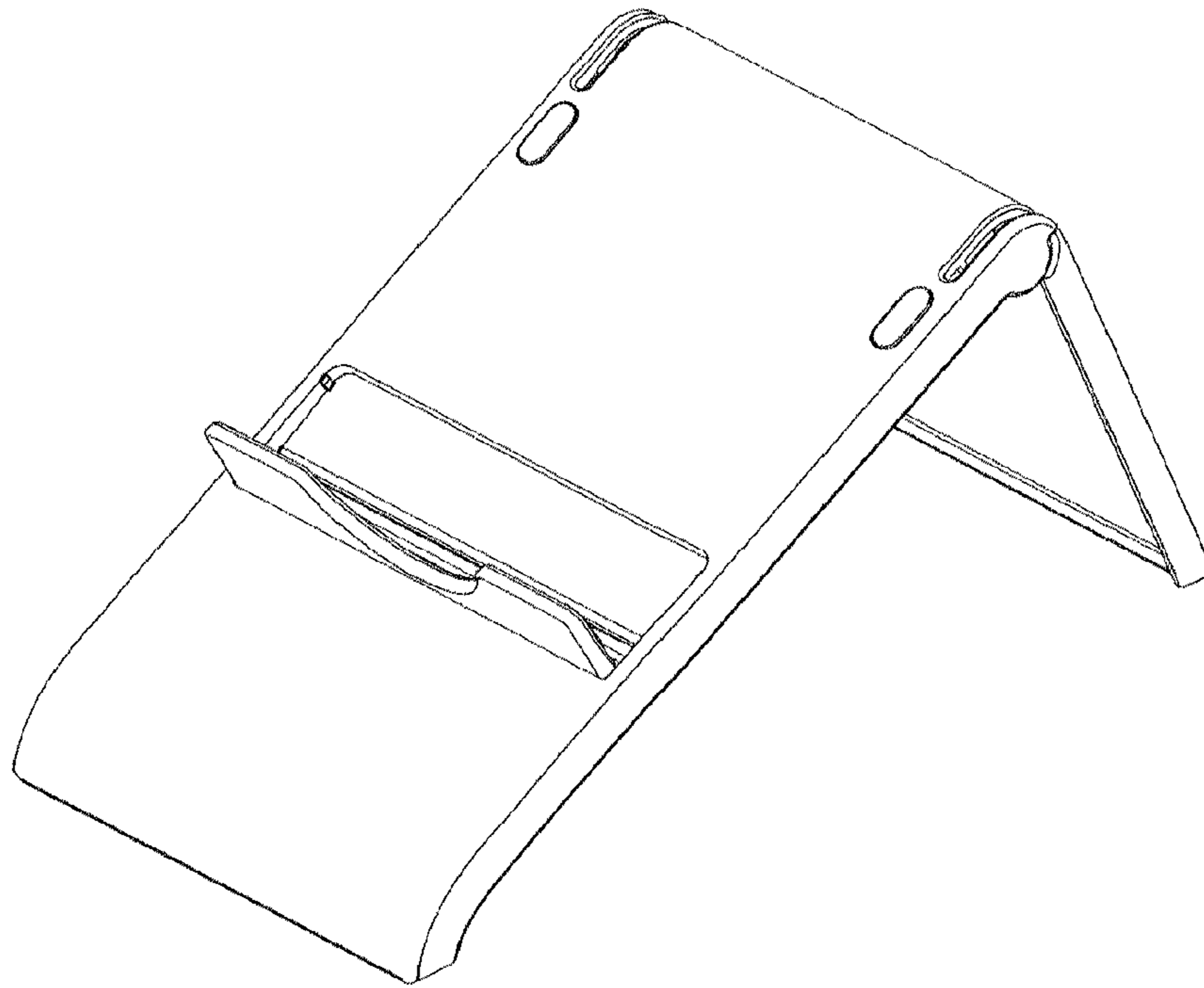


FIG. 12

