



US00D673960S

(12) **United States Design Patent**
Lindfield et al.

(10) **Patent No.:** **US D673,960 S**
(45) **Date of Patent:** **** Jan. 8, 2013**

(54) **TABLET COMPUTER HOLDER**
(75) Inventors: **Robert Lindfield**, New Haven (GB);
Daniel Lindfield, New Haven (GB)
(73) Assignee: **Bob Lindfield & Son Ltd**, New Haven
(GB)
(**) Term: **14 Years**
(21) Appl. No.: **29/411,678**
(22) Filed: **Jan. 25, 2012**
(51) **LOC (9) Cl.** **08-07**
(52) **U.S. Cl.** **D14/447**
(58) **Field of Classification Search** D14/447,
D14/432, 433, 434, 439, 440, 451, 452, 457,
D14/239, 251, 253, 217, 374, 375, 376, 377,
D14/902; D12/415, 416; D3/218, 274, 318,
D3/321, 328; D6/406.3, 406.4; 190/117;
361/679.03, 679.09, 679.05, 679.26, 679.3,
361/679.55, 679.56; 248/176.1, 917, 918,
248/919, 920, 921, 922, 923, 924, 682, 689,
248/690, 691, 692, 441.1, 444, 447, 451,
248/460, 463, 118, 118.5, 149, 150, 166,
248/434

See application file for complete search history.

(56) **References Cited**

U.S. PATENT DOCUMENTS

7,261,265 B2 * 8/2007 Burns 248/276.1
D564,220 S * 3/2008 Dixon D3/218
D565,938 S * 4/2008 Massoumi et al. D8/363
D592,188 S * 5/2009 Huang D14/217
7,857,270 B2 * 12/2010 Short et al. 248/284.1
7,918,426 B2 * 4/2011 Short et al. 248/276.1

7,922,137 B2 * 4/2011 Derry et al. 248/274.1
D637,593 S * 5/2011 Zanetti D14/253
D640,707 S * 6/2011 Yeh D14/447
D641,610 S * 7/2011 Sedalo D8/354
D646,315 S * 10/2011 Orf D16/242
8,066,241 B2 * 11/2011 Yu et al. 248/286.1
D658,651 S * 5/2012 Lee et al. D14/452

* cited by examiner

Primary Examiner — Angela J Lee

(74) *Attorney, Agent, or Firm* — Winstead PC

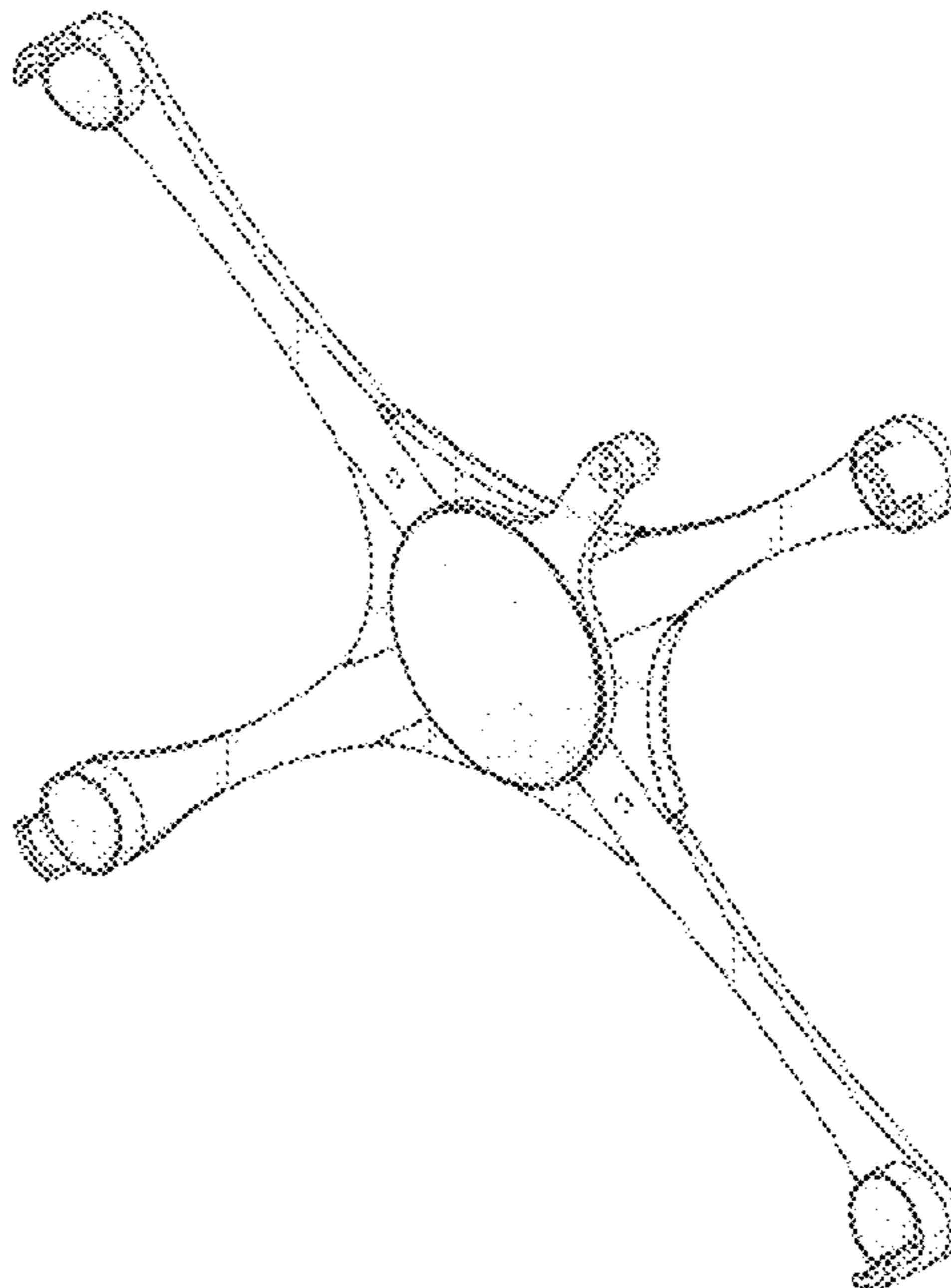
(57) **CLAIM**

The ornamental design for tablet computer holder, as shown and described.

DESCRIPTION

FIG. 1 is a perspective view of a tablet computer holder in accordance with the design;
FIG. 2 is a front view of the tablet computer holder in accordance with the design;
FIG. 3 is a back view of the tablet computer holder in accordance with the design;
FIG. 4 is a left side view of the tablet computer holder in accordance with the design;
FIG. 5 is a right side view of the tablet computer holder in accordance with the design;
FIG. 6 is a top plan view of the tablet computer holder in accordance with the design;
FIG. 7 is a bottom plan view of the tablet computer holder in accordance with the design; and,
FIG. 8 is a perspective view of the tablet computer holder in accordance with the design and connected to a stand.

1 Claim, 6 Drawing Sheets



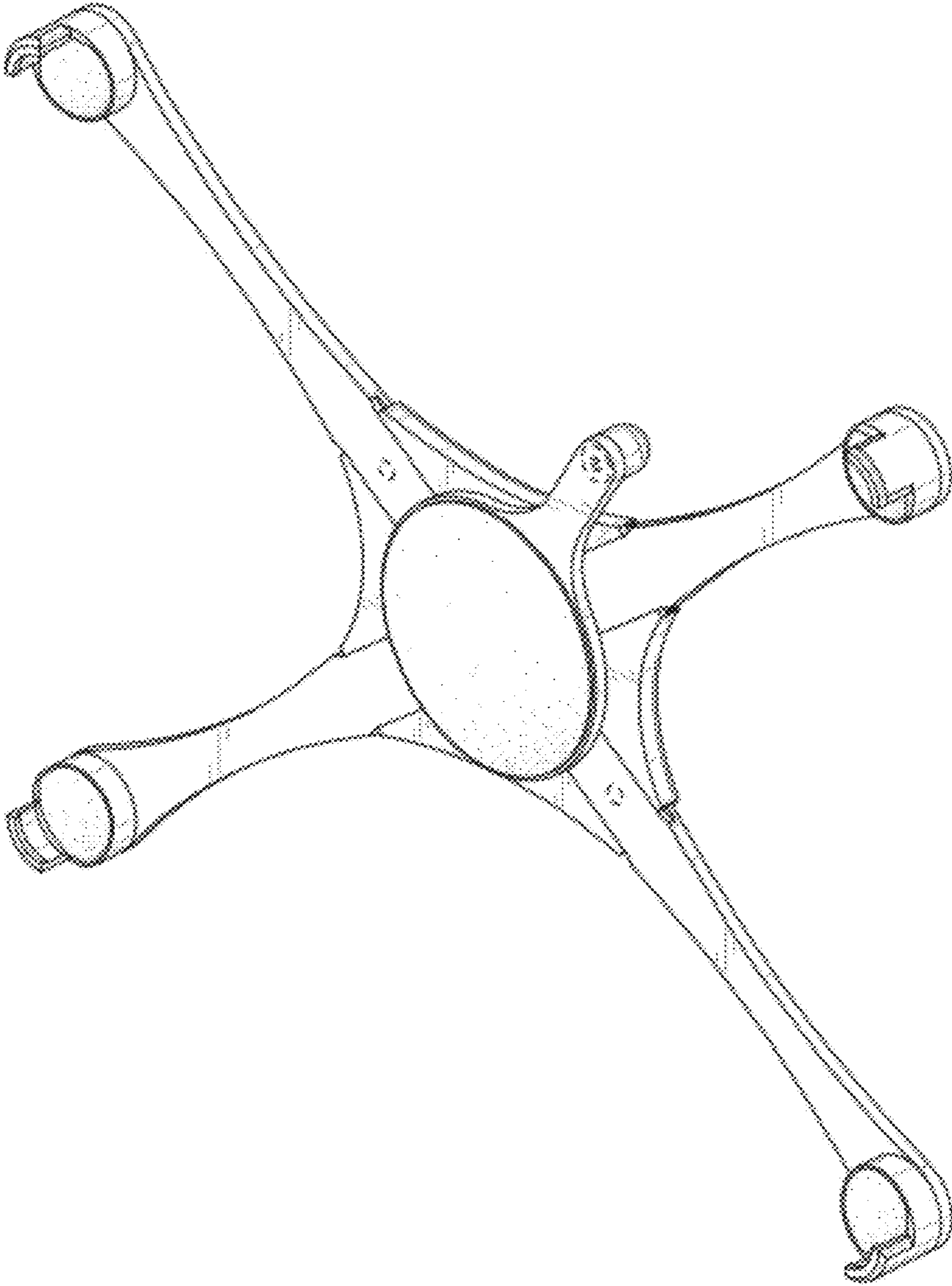


FIG. 1

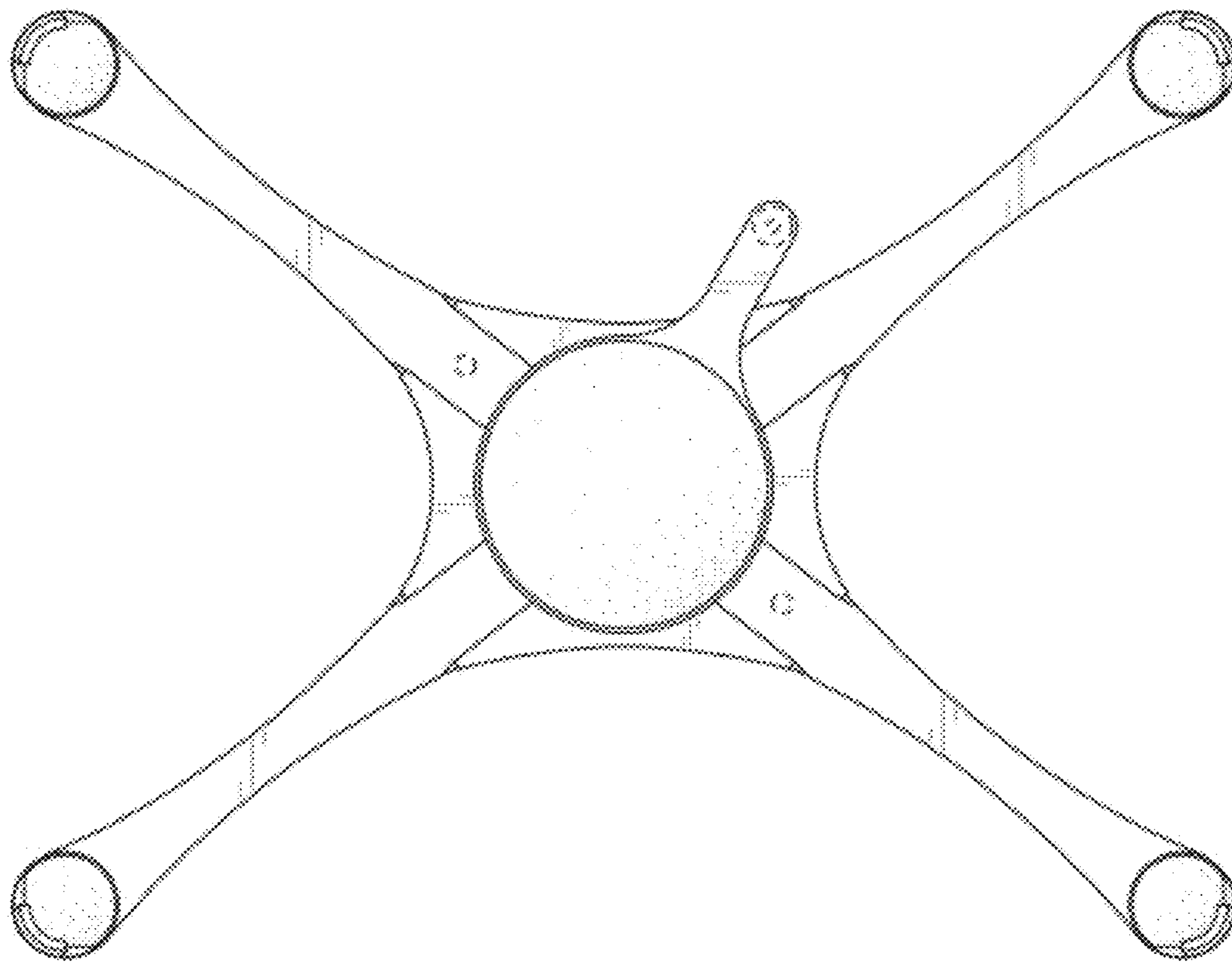


FIG. 2

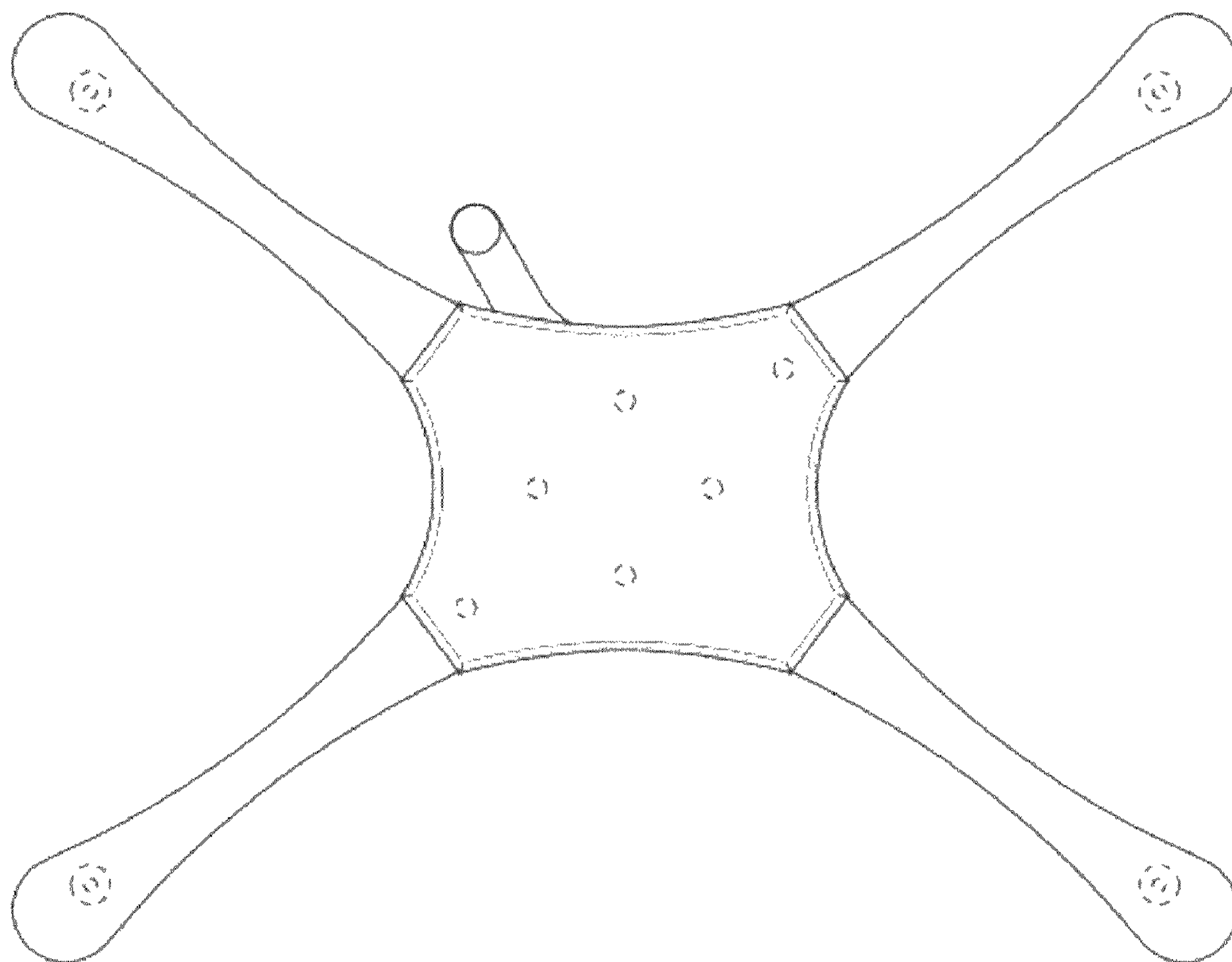


FIG. 3

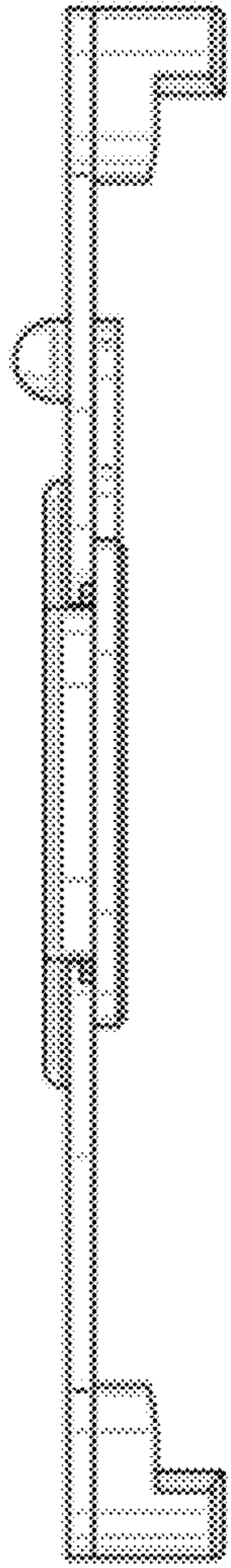


FIG. 4

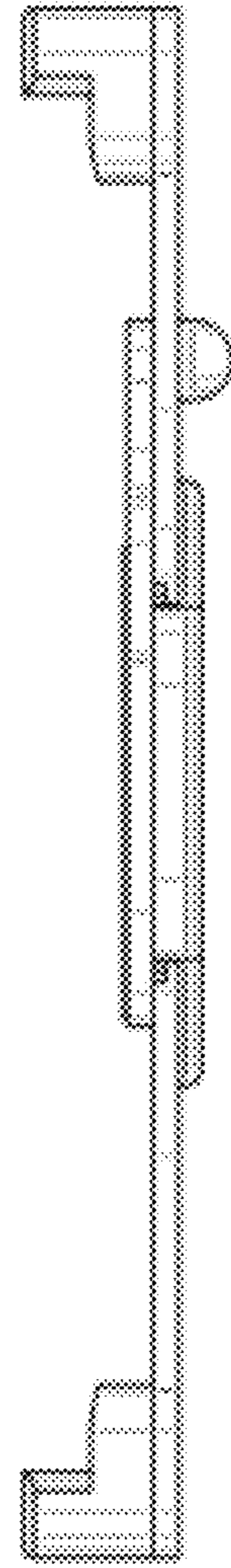


FIG. 5

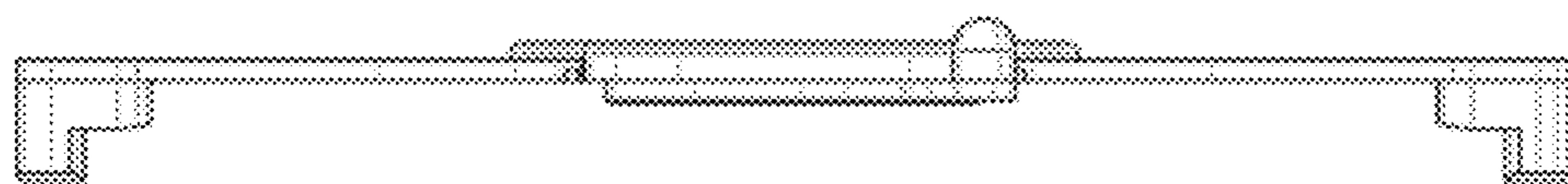


FIG. 6

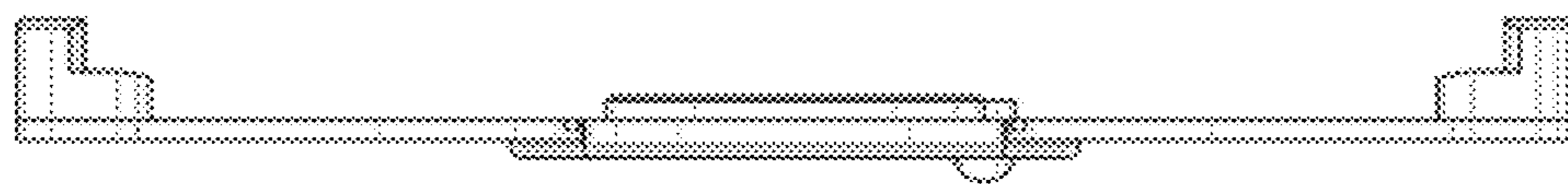


FIG. 7

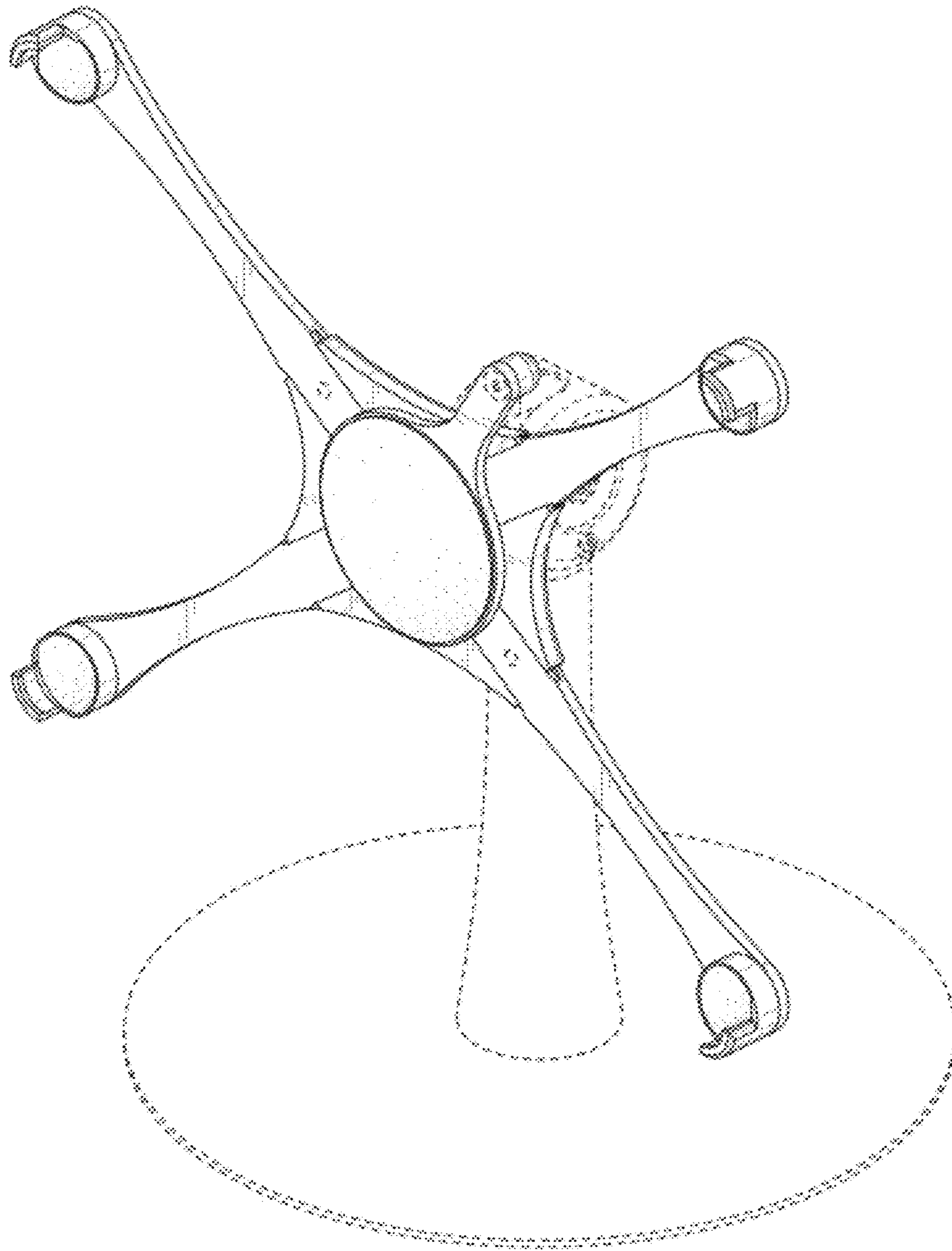


FIG. 8

UNITED STATES PATENT AND TRADEMARK OFFICE
CERTIFICATE OF CORRECTION

PATENT NO. : D673,960 S
APPLICATION NO. : 29/411678
DATED : January 8, 2013
INVENTOR(S) : Linfield et al.

Page 1 of 8

It is certified that error appears in the above-identified patent and that said Letters Patent is hereby corrected as shown below:

Delete Title page, and replace with new Title page. (attached)

In the Drawings

Delete drawing sheets 1-6, and replace with drawing sheet 1-6. (attached)

Signed and Sealed this
Thirtieth Day of April, 2013



Teresa Stanek Rea
Acting Director of the United States Patent and Trademark Office

(12) **United States Design Patent** (10) **Patent No.:** **US D673,960 S**
Lindfield et al. (45) **Date of Patent:** **** Jan. 8, 2013**

(54) **TABLET COMPUTER HOLDER**
 (75) Inventors: **Robert Lindfield, New Haven (GB);**
Daniel Lindfield, New Haven (GB)
 (73) Assignee: **Bob Lindfield & Son Ltd, New Haven**
(GB)

(**) Term: **14 Years**

(21) Appl. No.: **29/411,678**

(22) Filed: **Jan. 25, 2012**

(51) **LOC (9) Cl.** **08-07**

(52) **U.S. Cl.** **D14/447**

(58) **Field of Classification Search** D14/447,
 D14/432, 433, 434, 439, 440, 451, 452, 457,
 D14/239, 251, 253, 217, 374, 375, 376, 377,
 D14/902; D12/415, 416; D3/218, 274, 318,
 D3/321, 328; D6/406.3, 406.4; 190/117;
 361/679.03, 679.09, 679.05, 679.26, 679.3,
 361/679.55, 679.56; 248/176.1, 917, 918,
 248/919, 920, 921, 922, 923, 924, 682, 689,
 248/690, 691, 692, 441.1, 444, 447, 451,
 248/460, 463, 118, 118.5, 149, 150, 166,
 248/434

See application file for complete search history.

(56) **References Cited**

U.S. PATENT DOCUMENTS

7,261,265 B2 * 8/2007 Burns 248/276.1
 D564,220 S * 3/2008 Dixon D3/218
 D565,938 S * 4/2008 Massoumi et al D8/363
 D592,188 S * 5/2009 Huang D14/217
 7,857,270 B2 * 12/2010 Short et al. 248/284.1
 7,918,426 B2 * 4/2011 Short et al. 248/276.1

7,922,137 B2 * 4/2011 Derry et al. 248/274.1
 D637,593 S * 5/2011 Zanetti D14/253
 D640,707 S * 6/2011 Yeh D14/447
 D641,610 S * 7/2011 Sedalo D8/354
 D646,315 S * 10/2011 Orf D16/242
 8,066,241 B2 * 11/2011 Yu et al. 248/286.1
 D658,651 S * 5/2012 Lee et al. D14/452

* cited by examiner

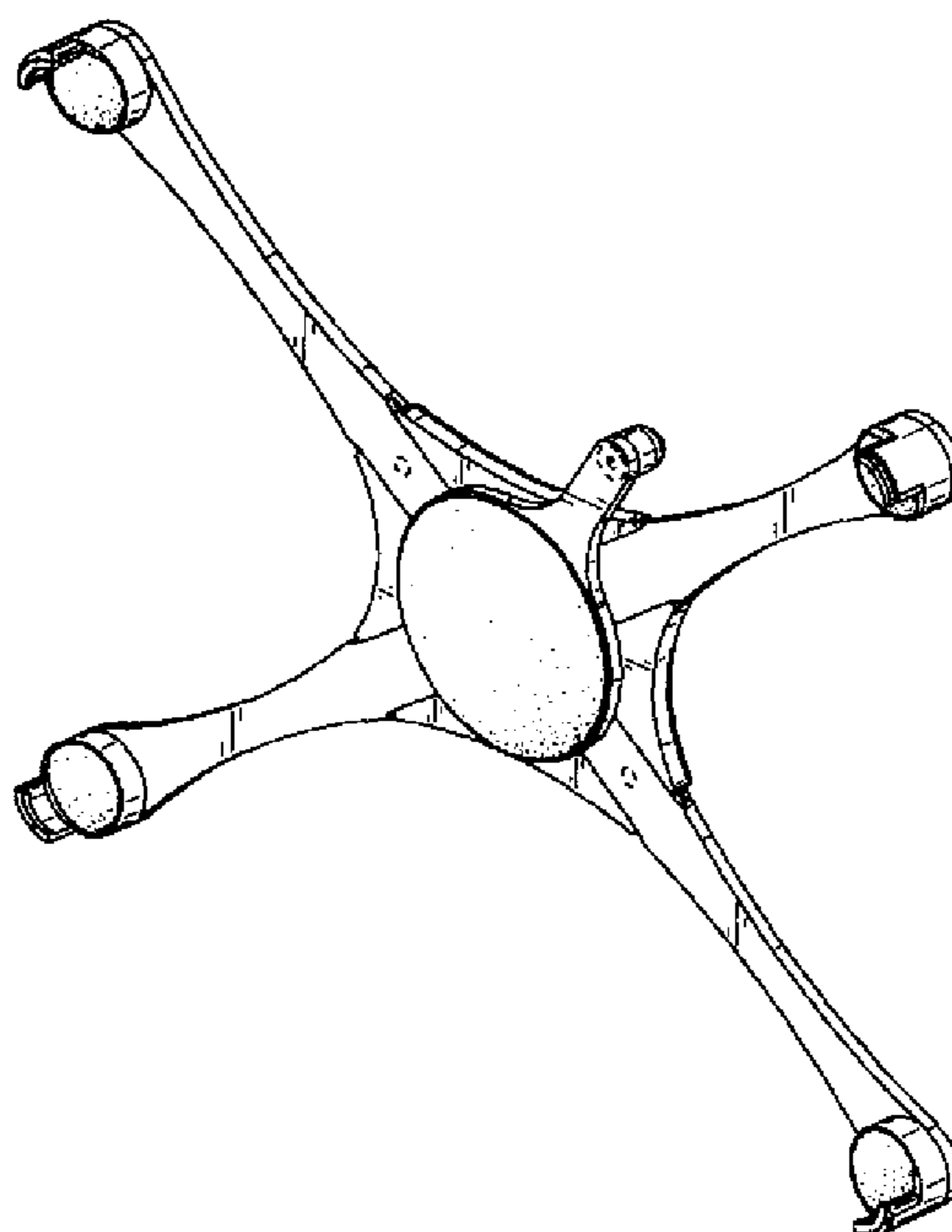
Primary Examiner — Angela J Lee
 (74) *Attorney, Agent, or Firm* — Winstead PC

(57) **CLAIM**
 The ornamental design for tablet computer holder, as shown
 and described.

DESCRIPTION

FIG. 1 is a perspective view of a tablet computer holder in
 accordance with the design;
 FIG. 2 is a front view of the tablet computer holder in accor-
 dance with the design;
 FIG. 3 is a back view of the tablet computer holder in accor-
 dance with the design;
 FIG. 4 is a left side view of the tablet computer holder in
 accordance with the design;
 FIG. 5 is a right side view of the tablet computer holder in
 accordance with the design;
 FIG. 6 is a top plan view of the tablet computer holder in
 accordance with the design;
 FIG. 7 is a bottom plan view of the tablet computer holder in
 accordance with the design; and,
 FIG. 8 is a perspective view of the tablet computer holder in
 accordance with the design and connected to a stand.

1 Claim, 6 Drawing Sheets



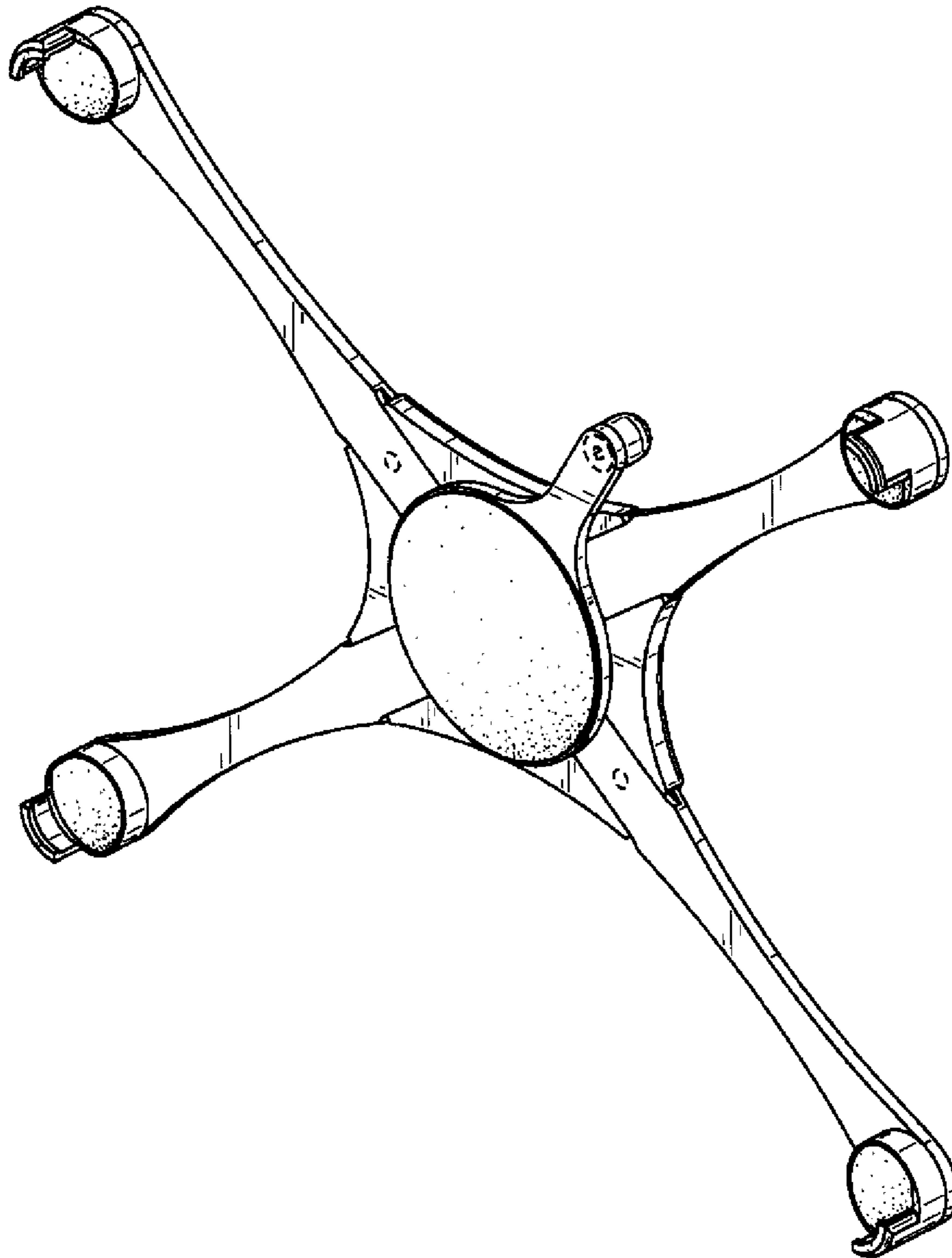


FIG. 1

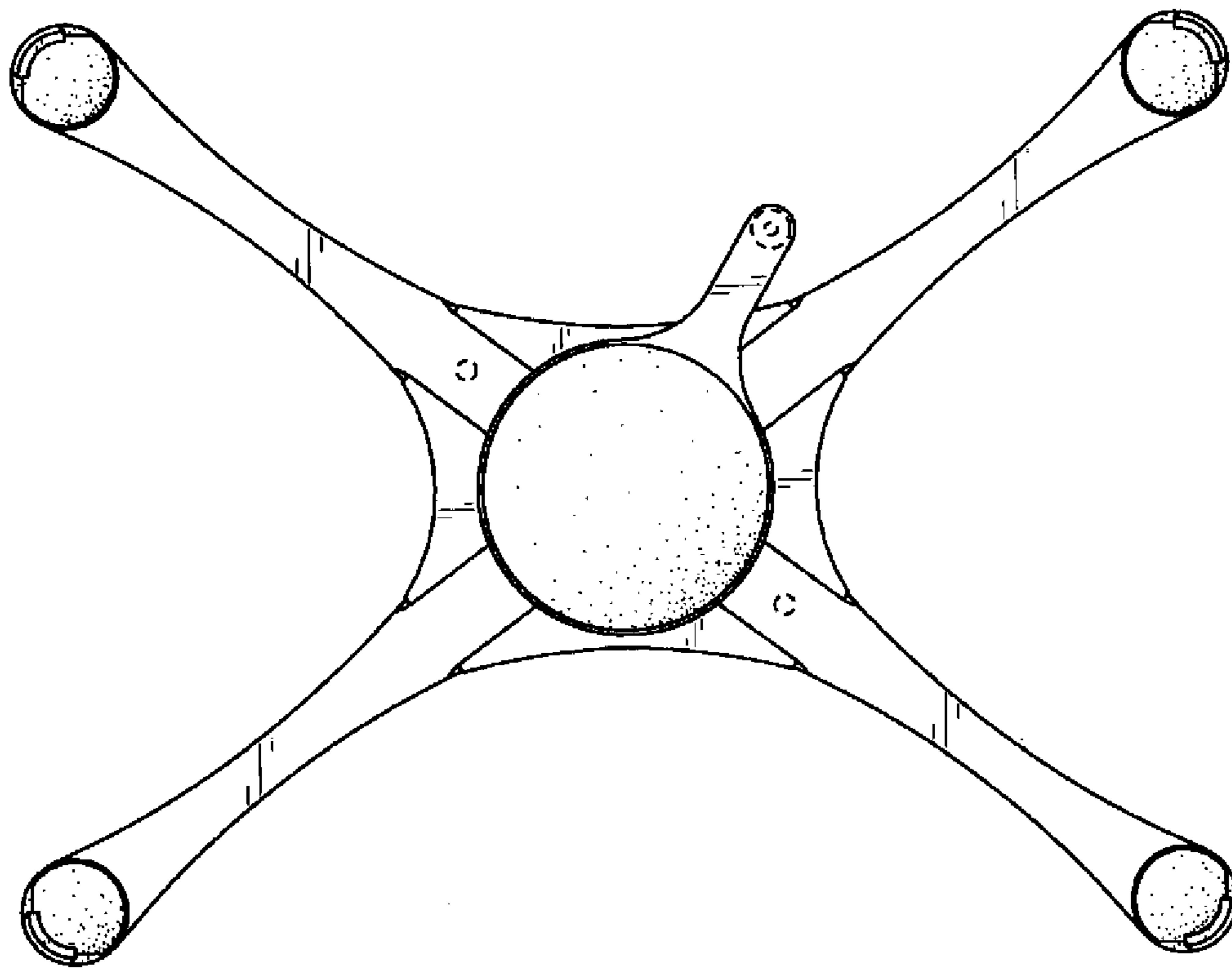


FIG. 2

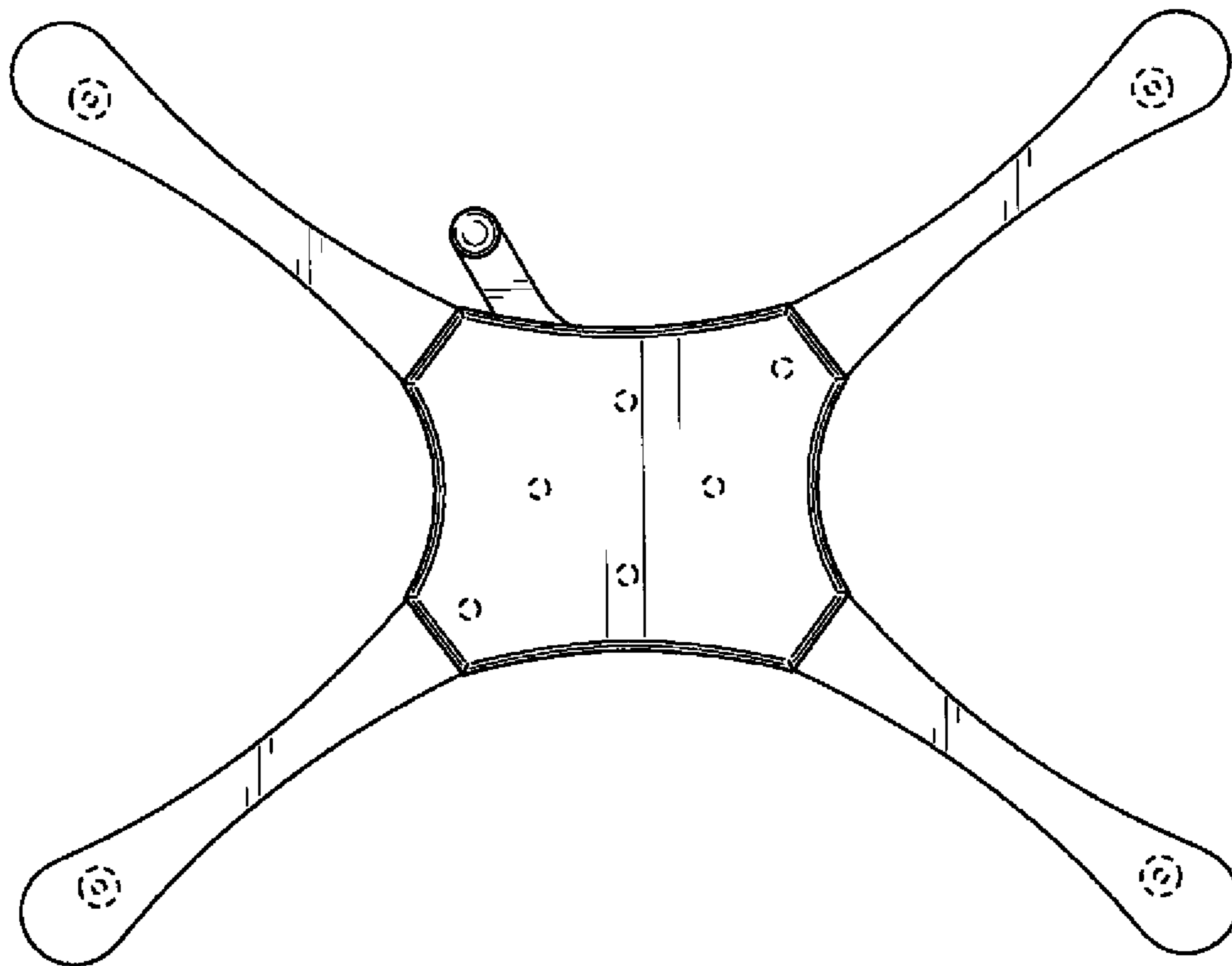


FIG. 3

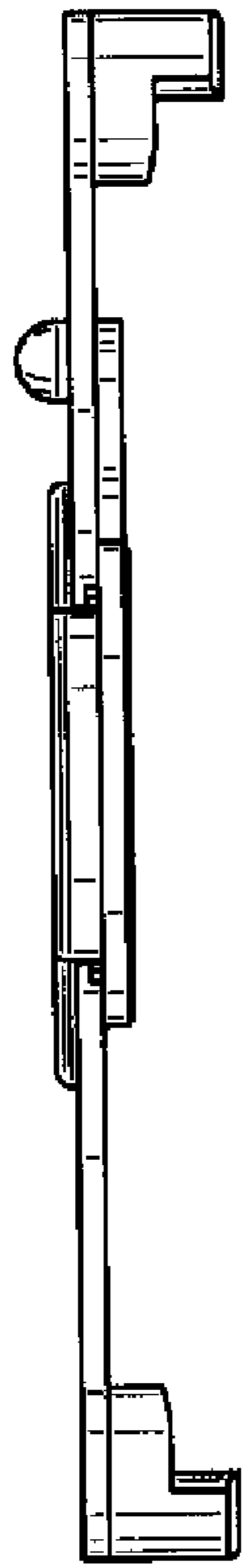


FIG. 4

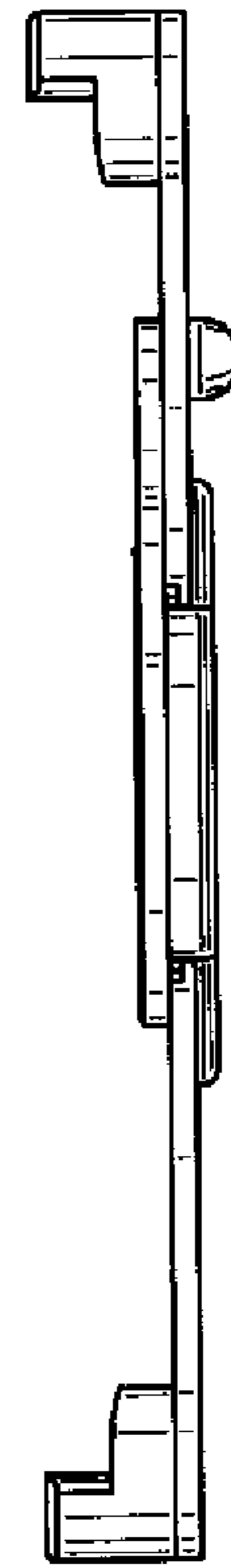


FIG. 5

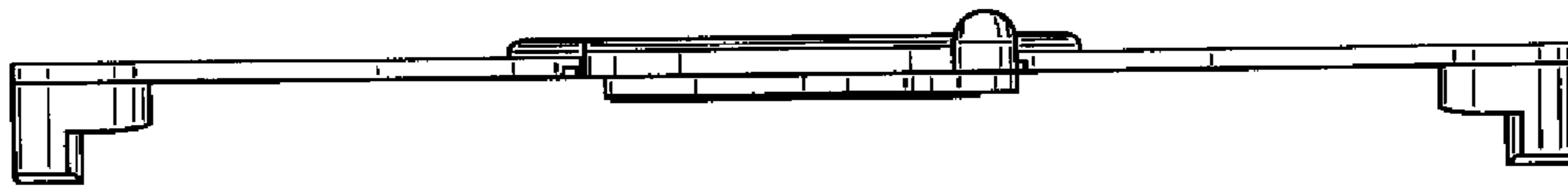


FIG. 6

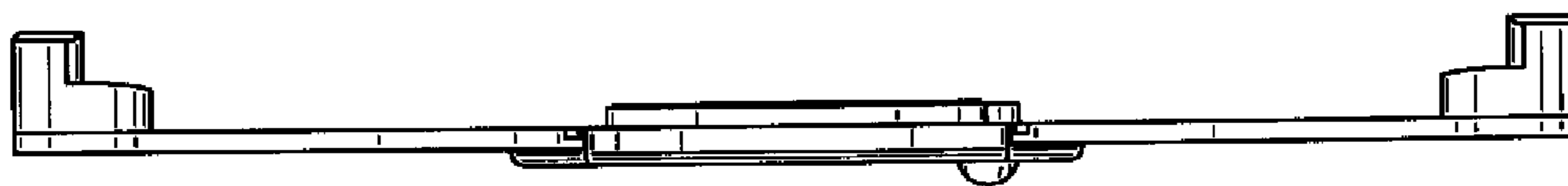


FIG. 7

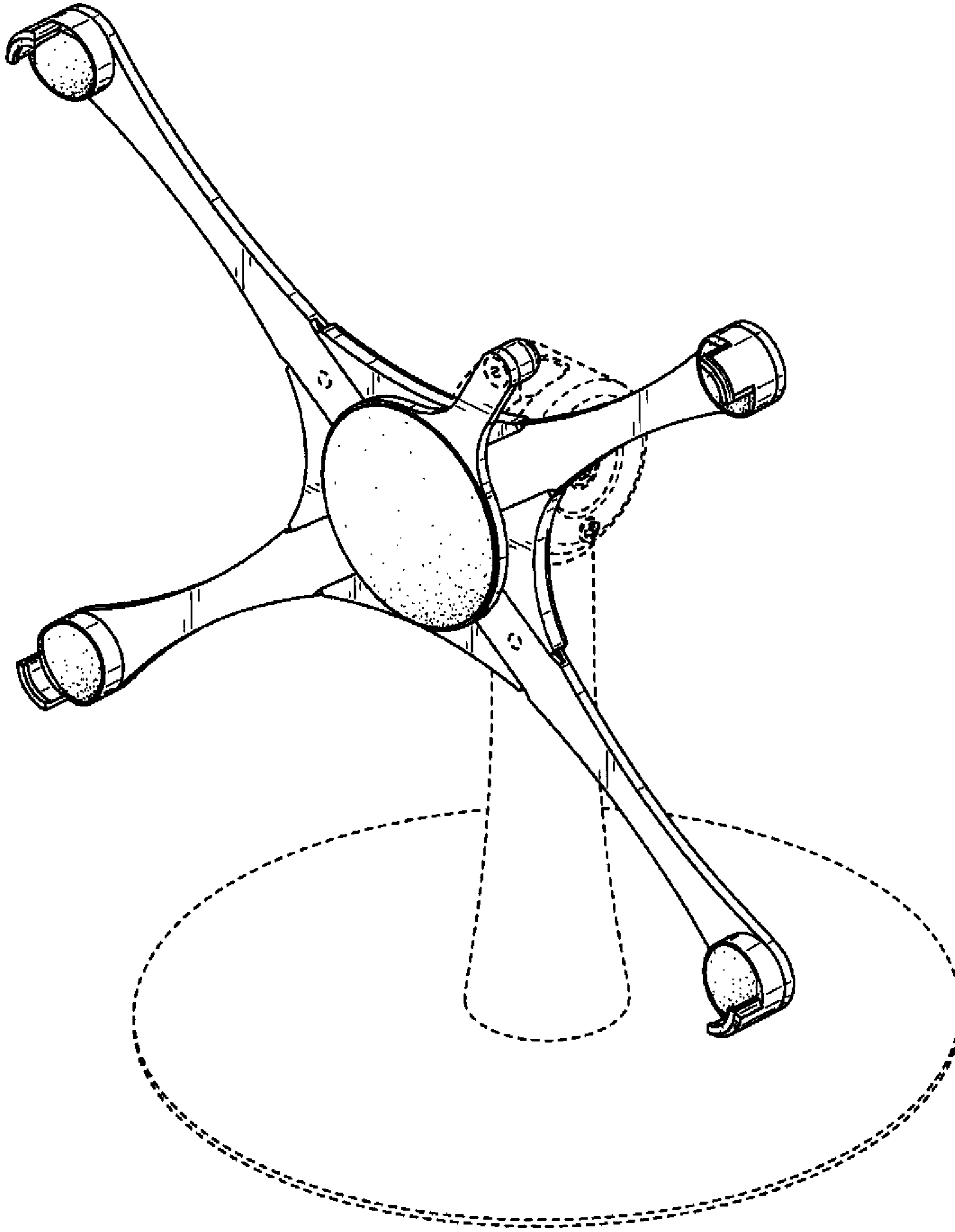


FIG. 8