



US00D673958S

(12) **United States Design Patent**  
**Fathollahi**

(10) **Patent No.:** **US D673,958 S**  
(45) **Date of Patent:** **\*\* Jan. 8, 2013**

(54) **CASE**

(75) **Inventor:** **Andy Fathollahi**, Corona Del Mar, CA  
(US)

(73) **Assignee:** **Incipio Technologies, Inc.**, Irvine, CA  
(US)

(\*\*) **Term:** **14 Years**

(21) **Appl. No.:** **29/394,766**

(22) **Filed:** **Jun. 21, 2011**

(51) **LOC (9) Cl.** ..... **14-02**

(52) **U.S. Cl.** ..... **D14/440; D14/439**

(58) **Field of Classification Search** ..... D14/250,  
D14/251, 253, 240, 217, 496, 440, 203.3,  
D14/203.4, 203.5, 203.8, 432, 439, 300;  
D3/218, 215, 201; 220/4.02; 248/309.1;  
361/679.56; 379/426, 433.11, 455; 455/575.1,  
455/575.8; 190/100; 206/305, 320

See application file for complete search history.

(56) **References Cited**

**U.S. PATENT DOCUMENTS**

D469,438 S \* 1/2003 Corrales ..... D14/432  
7,542,052 B2 \* 6/2009 Solomon et al. .... 345/659  
D609,226 S \* 2/2010 Hofer et al. .... D14/248  
8,016,107 B2 \* 9/2011 Emsky ..... 206/320

D646,266 S \* 10/2011 Kim et al. .... D14/250  
D654,069 S \* 2/2012 Kwon et al. .... D14/250  
8,132,670 B1 \* 3/2012 Chen ..... 206/320  
D659,139 S \* 5/2012 Gengler ..... D14/392  
D662,503 S \* 6/2012 Akana et al. .... D14/439  
D665,809 S \* 8/2012 Wang et al. .... D14/439  
8,245,843 B1 \* 8/2012 Wu ..... 206/320  
2010/0289390 A1 \* 11/2010 Kenney ..... 312/223.1

\* cited by examiner

*Primary Examiner* — Cynthia Underwood

(74) *Attorney, Agent, or Firm* — Knobbe Martens Olson & Bear LLP

(57) **CLAIM**

I claim the ornamental design for a case, as shown and described.

**DESCRIPTION**

FIG. 1 is a top end view of a case showing a first embodiment of our new design;

FIG. 2 is a bottom end view thereof;

FIG. 3 is a left side view thereof;

FIG. 4 is a right side view thereof;

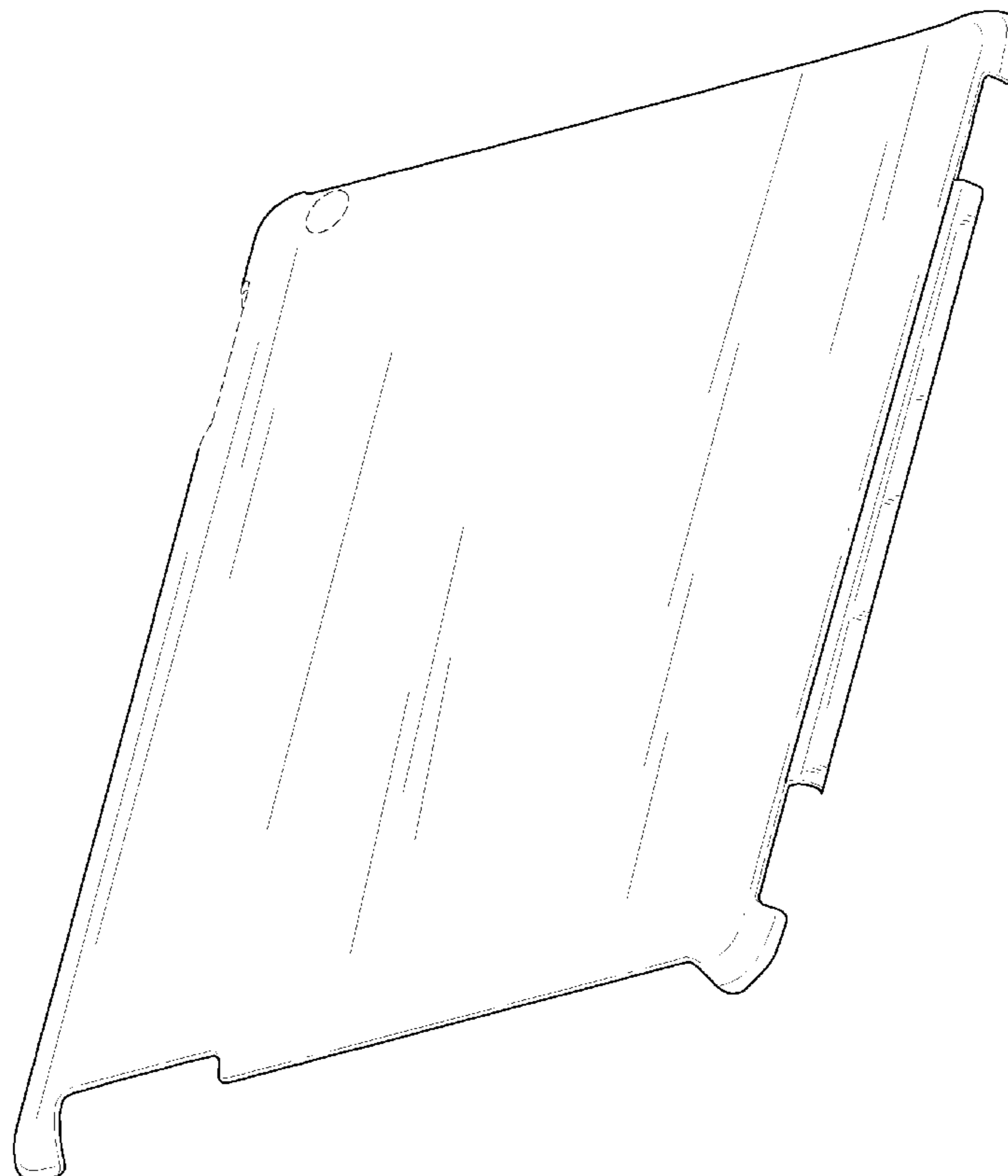
FIG. 5 is a front view thereof;

FIG. 6 is a rear view thereof; and,

FIG. 7 is a rear perspective view of the case.

The broken lines in FIGS. 1-7 are for illustrative purposes only and form no part of the claimed design.

**1 Claim, 7 Drawing Sheets**



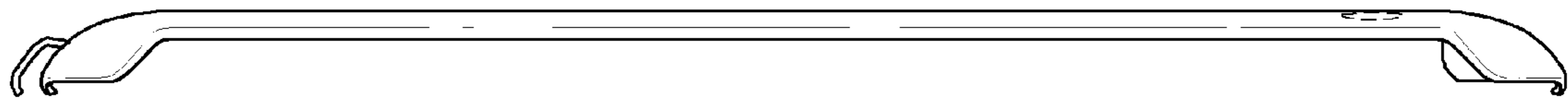


FIG. 1

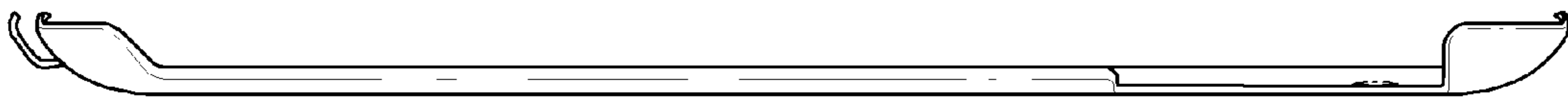


FIG. 2

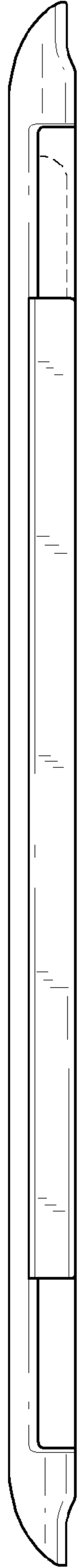


FIG. 3

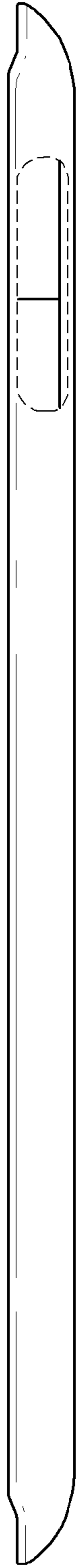


FIG. 4

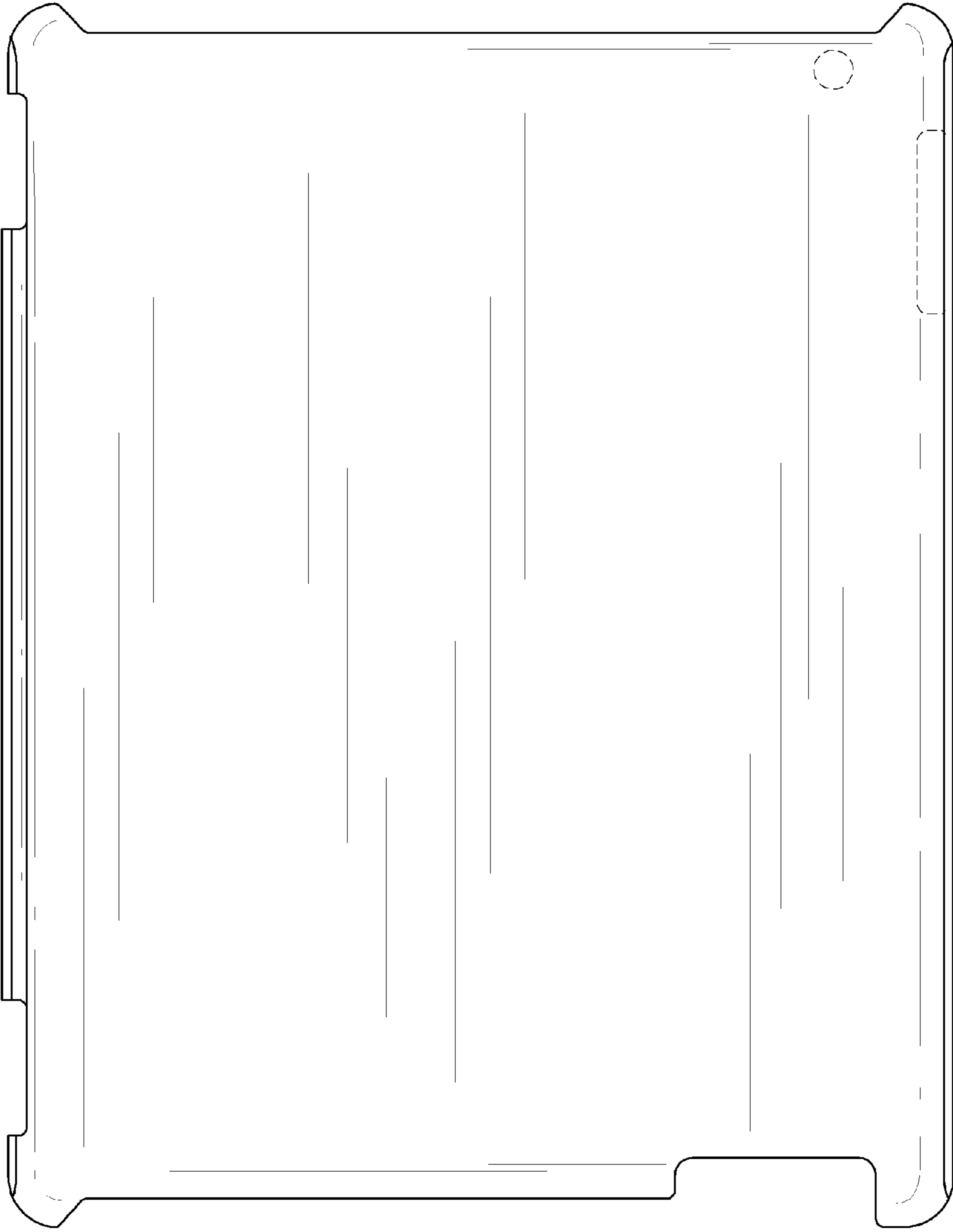


FIG. 5

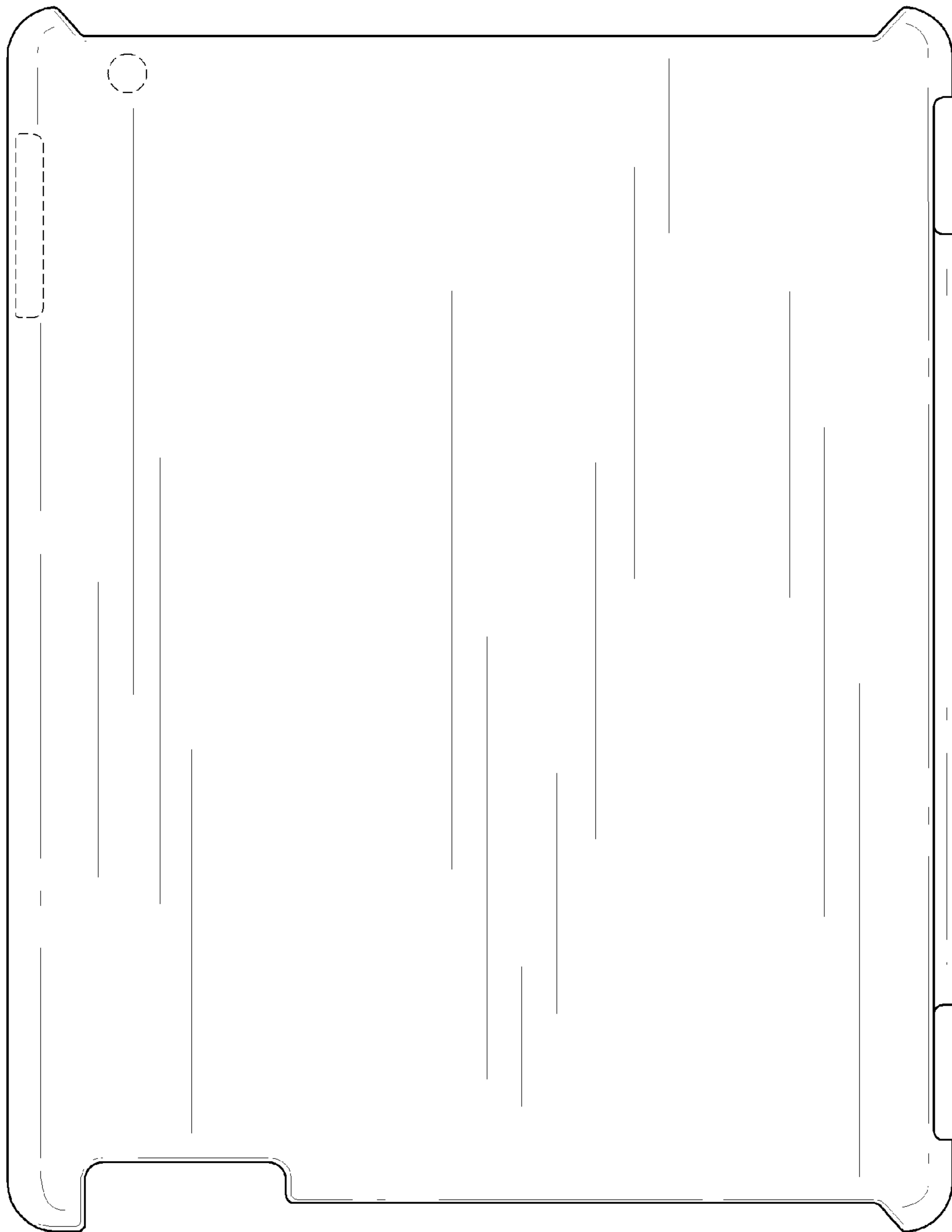


FIG. 6

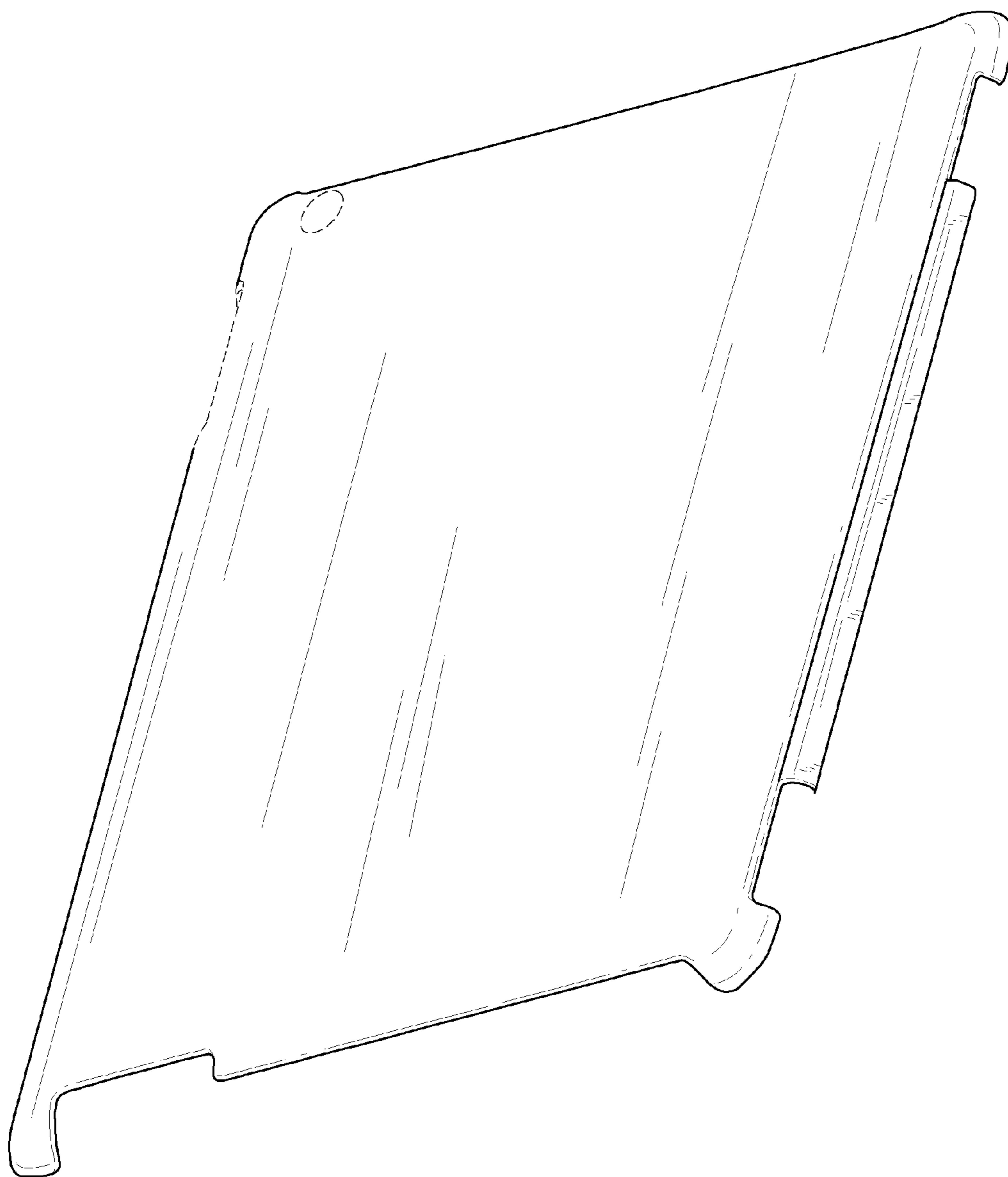


FIG. 7