



US00D673957S

(12) **United States Design Patent**
Lin et al.

(10) **Patent No.:** **US D673,957 S**
(45) **Date of Patent:** **** Jan. 8, 2013**

(54) **NOTEBOOK COMPUTER CONNECTOR**

(75) Inventors: **Cheng-Jui Lin**, Taipei (TW); **Yi-Nung Lee**, Taipei (TW); **Yung-Hsiang Chen**, Taipei (TW)

(73) Assignee: **Compal Electronics, Inc.**, Taipei (TW)

(**) Term: **14 Years**

(21) Appl. No.: **29/404,068**

(22) Filed: **Oct. 14, 2011**

(51) **LOC (9) Cl.** **14-02**

(52) **U.S. Cl.** **D14/434**

(58) **Field of Classification Search** D14/432-434, D14/314, 204, 420, 421, 217, 315-327; D18/1, D18/2, 7, 11; 235/145 A, 145 R; 341/22, 341/23; 345/104, 156, 168, 169, 173, 87, 345/901-905; 361/679.01-679.27, 679.14, 361/679.31, 679.32, 679.4, 679.41, 679.43, 361/679.55; 400/486, 489; 710/14; D13/107, D13/108, 146; 248/346.03, 176.1; 320/109, 320/112-115

See application file for complete search history.

(56) **References Cited**

U.S. PATENT DOCUMENTS

D331,573 S * 12/1992 Iino D14/434
D457,526 S * 5/2002 Hawkins et al. D14/434

D463,414 S * 9/2002 Gao D14/240
D500,041 S * 12/2004 Tsujimoto D14/434
D505,958 S * 6/2005 Cheng D14/434
7,236,356 B2 * 6/2007 Ulla et al. 361/679.21
D632,693 S * 2/2011 Heppener D14/434
2003/0116631 A1 * 6/2003 Salvato et al. 235/472.01

* cited by examiner

Primary Examiner — Freda S Nunn

(74) *Attorney, Agent, or Firm* — Muncy, Geissler, Olds & Lowe, PLLC

(57) **CLAIM**

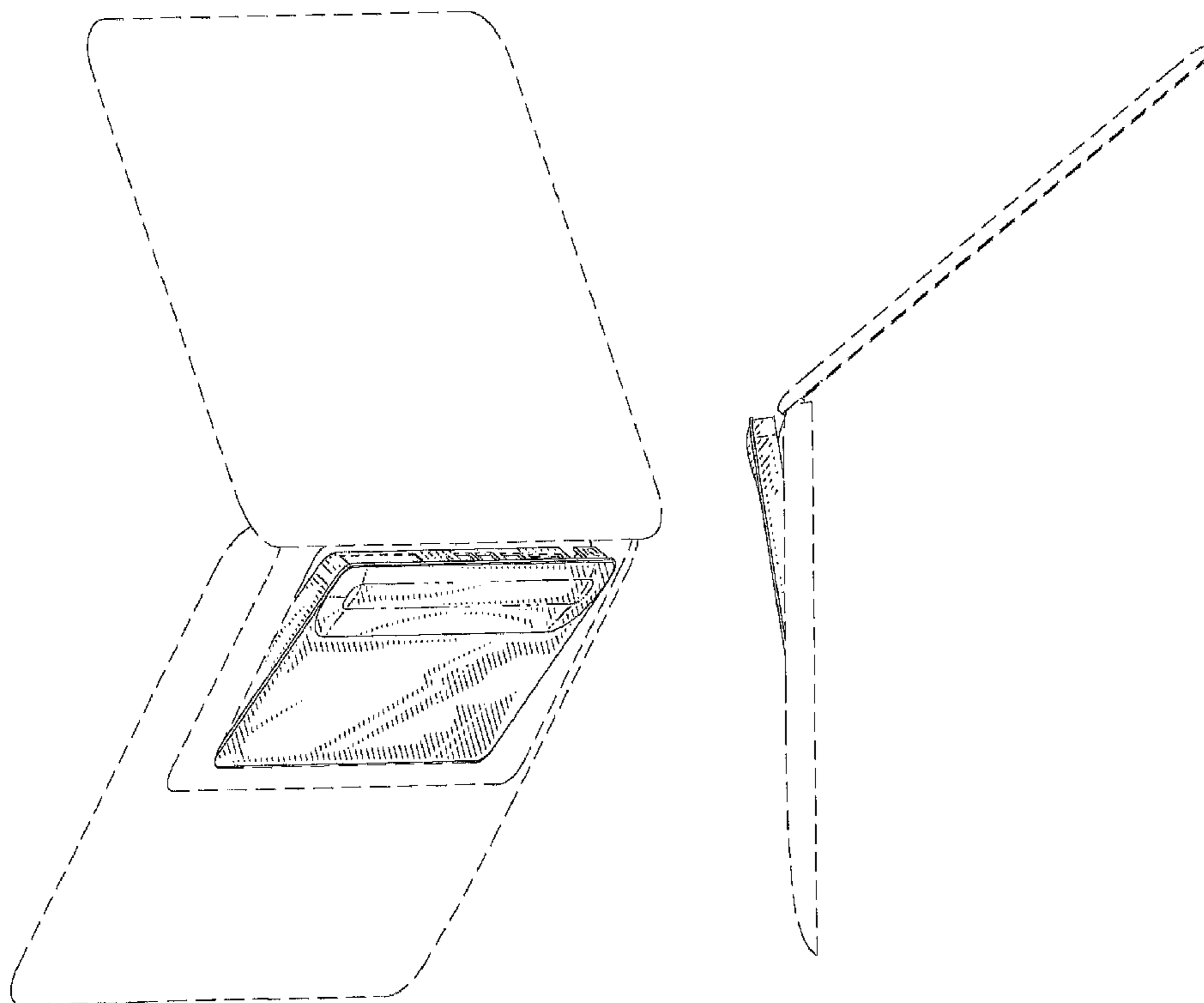
The ornamental design for an notebook computer connector, as shown and described.

DESCRIPTION

FIG. 1 is a perspective view of an notebook computer connector showing our new design; FIG. 2 is a front view thereof; FIG. 3 is a rear view thereof; FIG. 4 is a left side view thereof; FIG. 5 is a right side view thereof; FIG. 6 is a top view thereof; FIG. 7 is a bottom view thereof; and, FIG. 8 is a perspective view showing the notebook computer connector of our design in use.

The broken lines shown represent unclaimed subject matter and form no part of the claimed design.

1 Claim, 7 Drawing Sheets



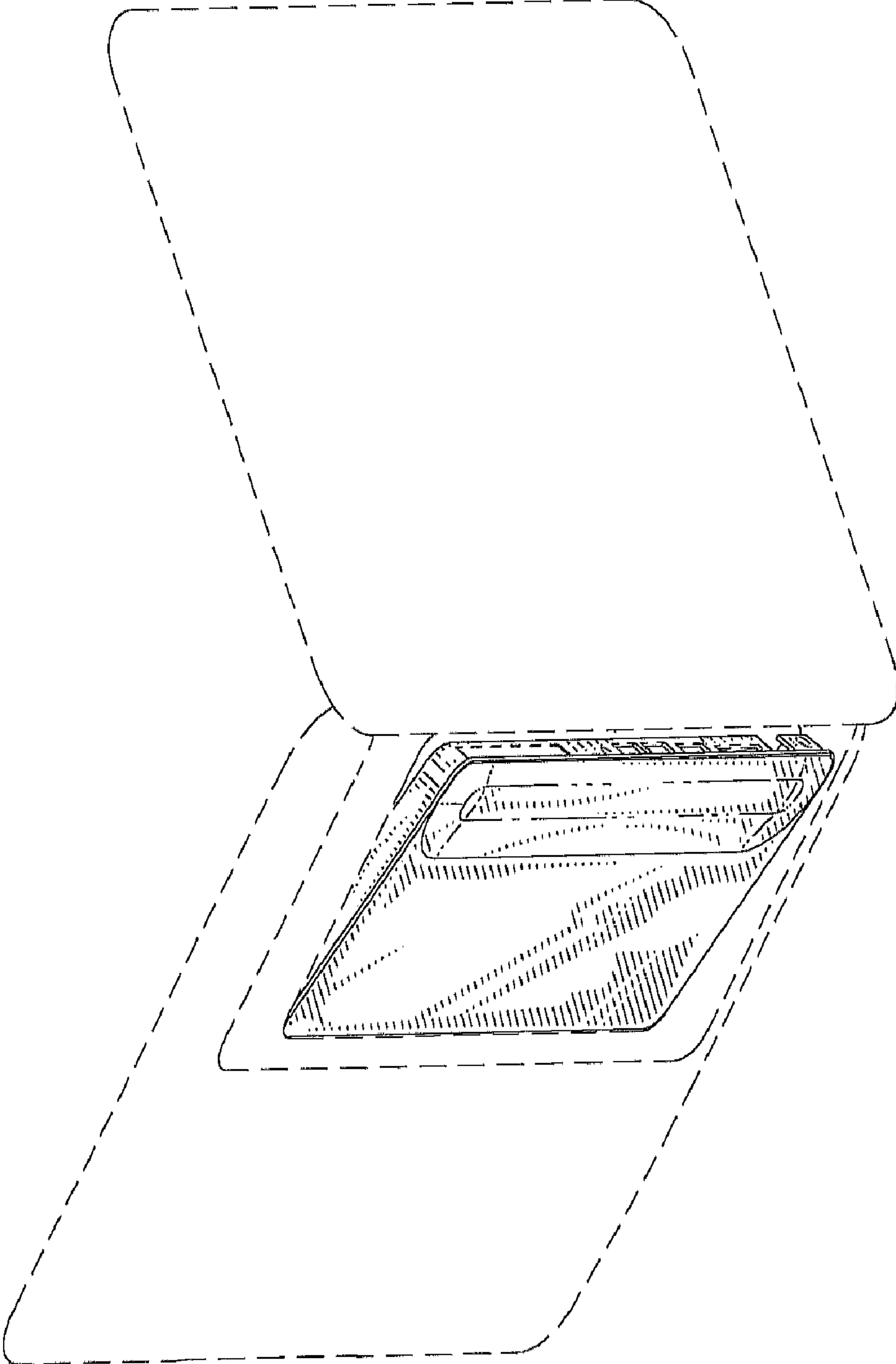


Fig. 1

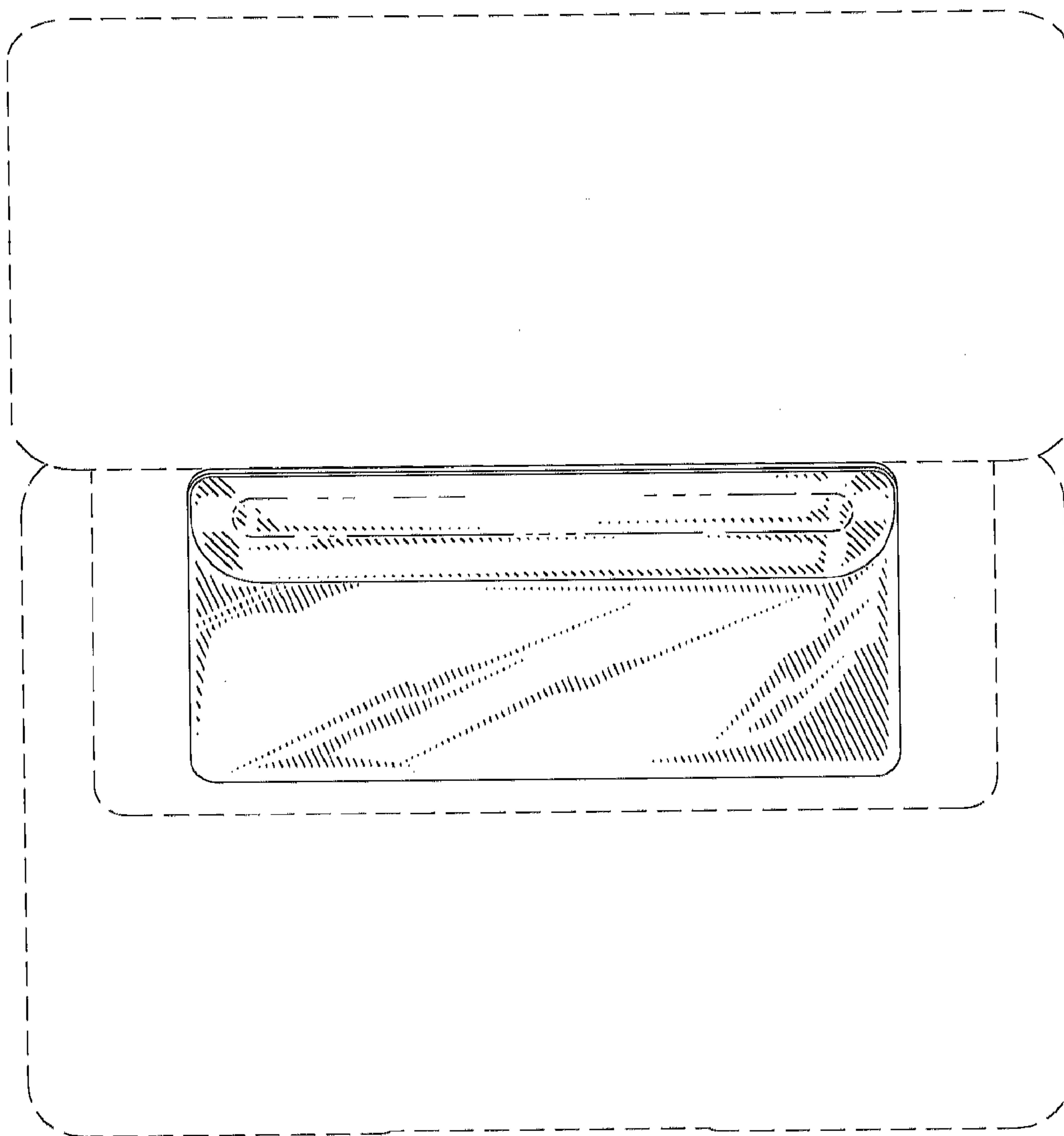


Fig. 2

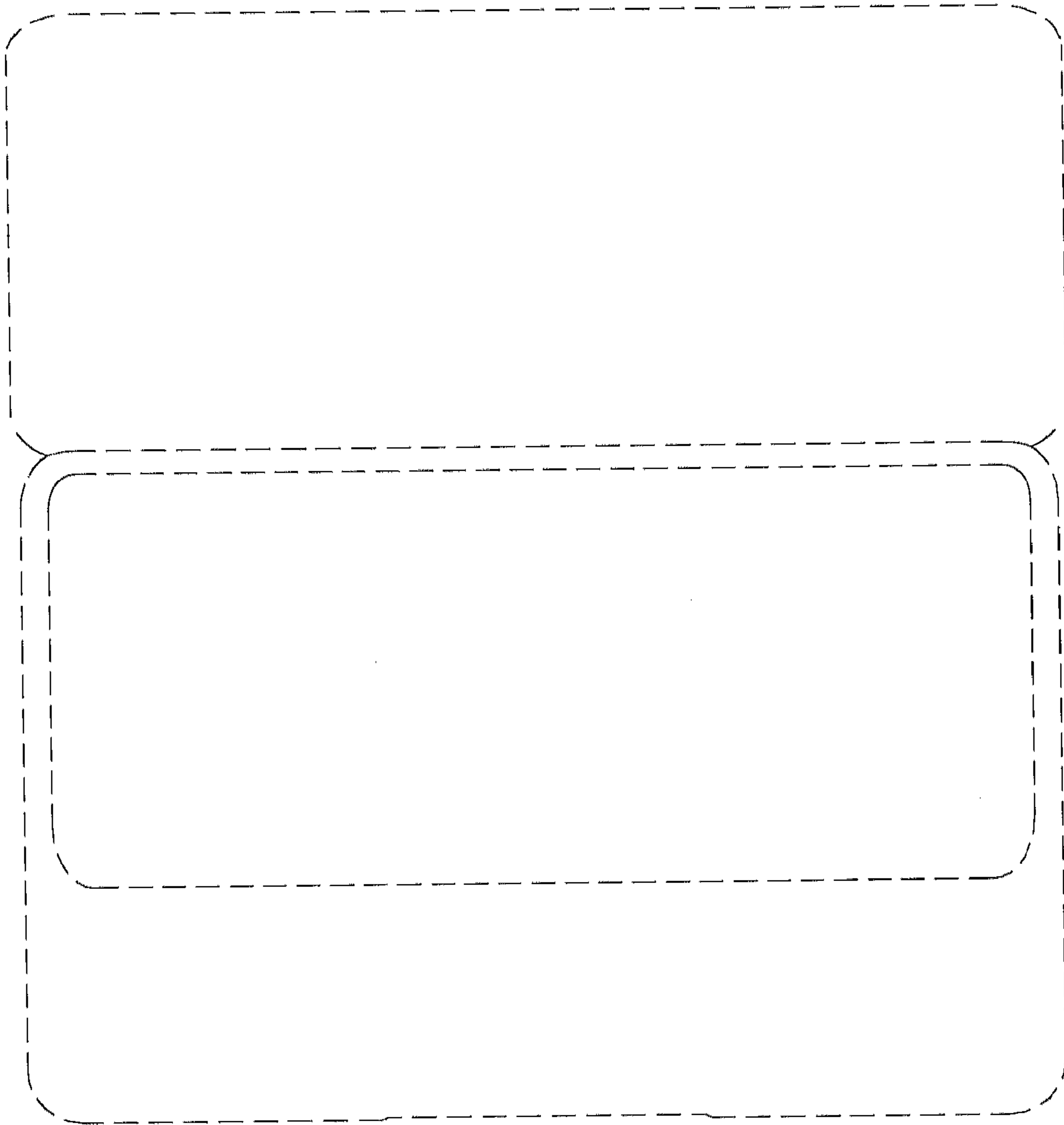


Fig. 3

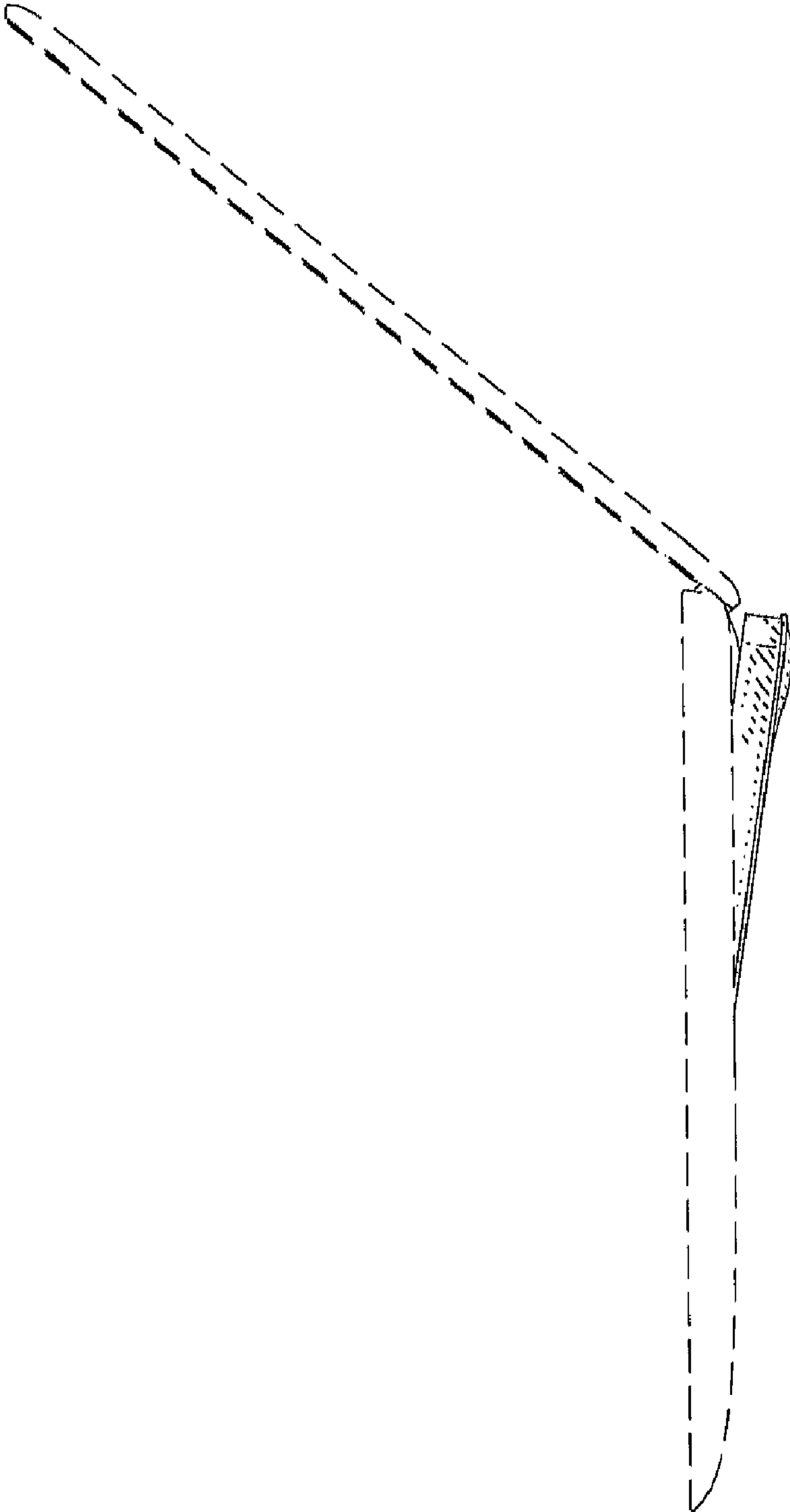


Fig. 4

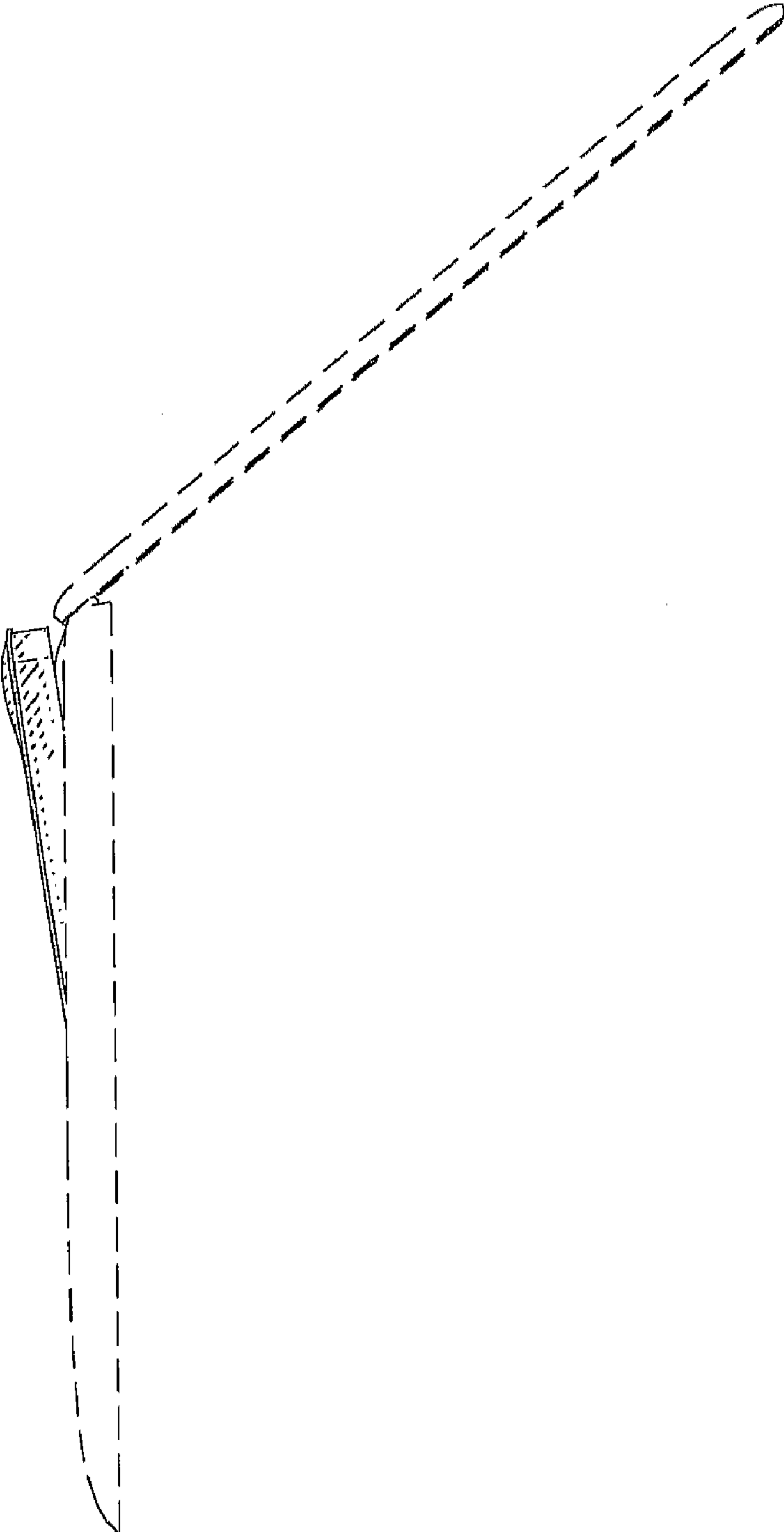


Fig. 5

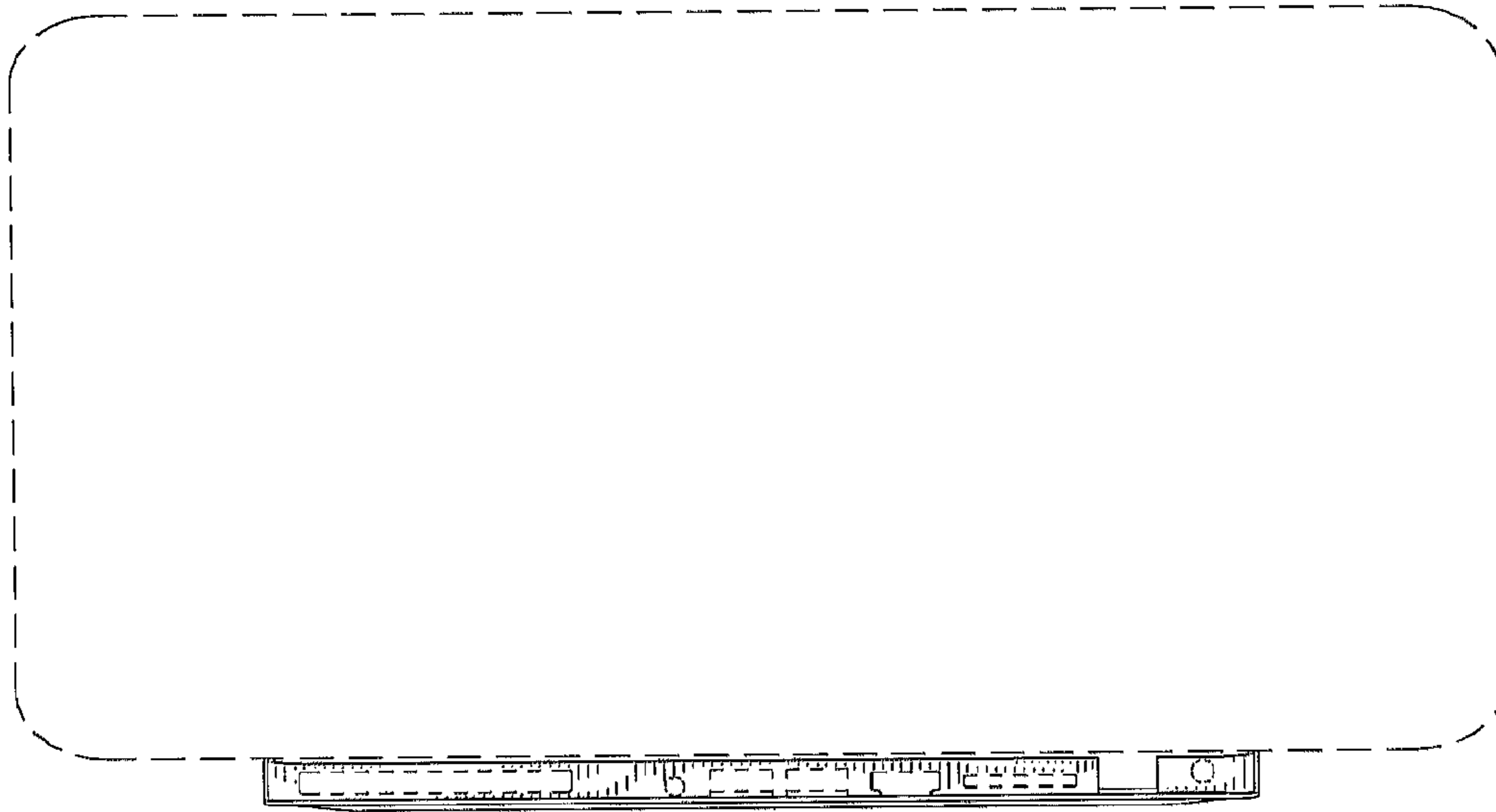


Fig. 6

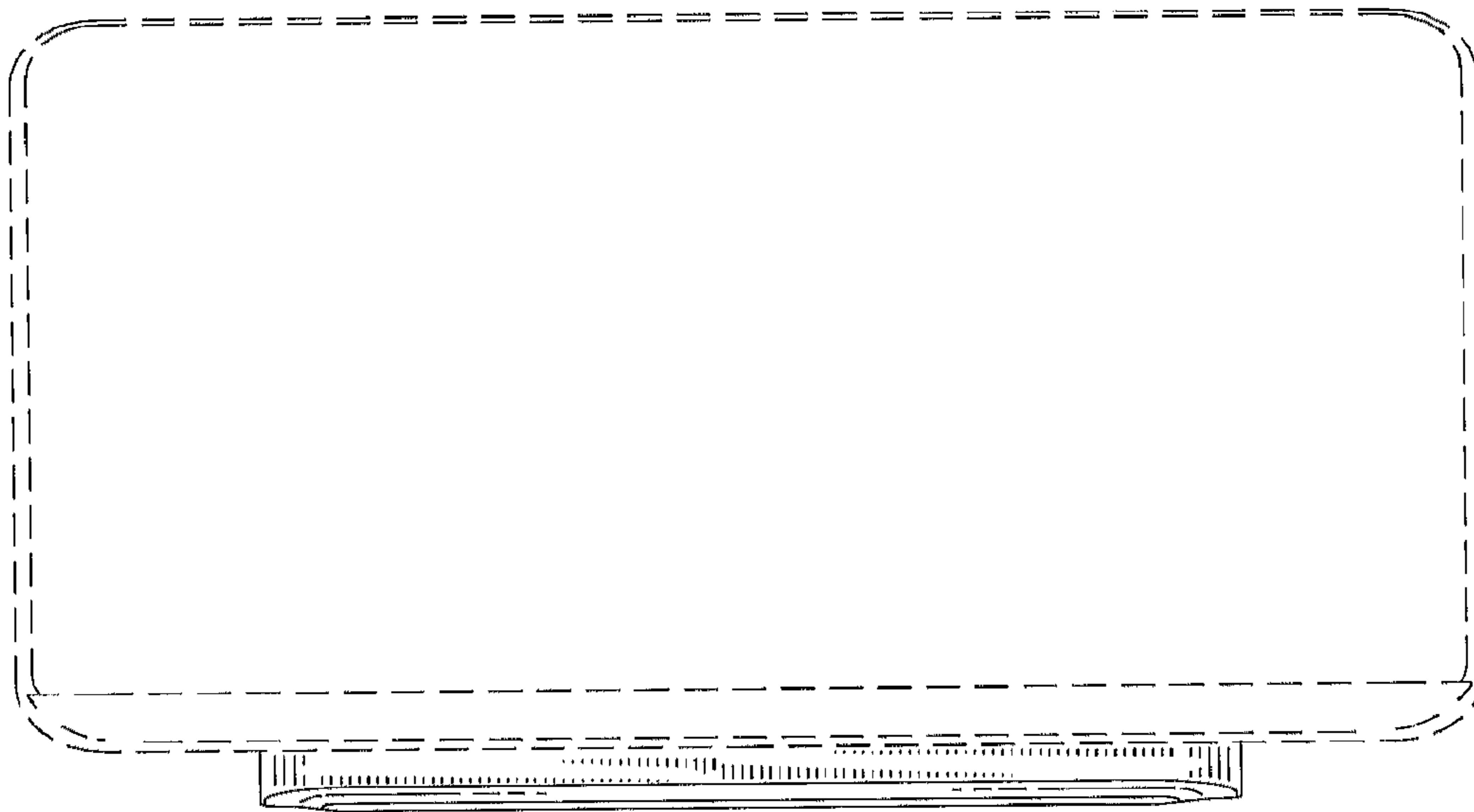


Fig. 7

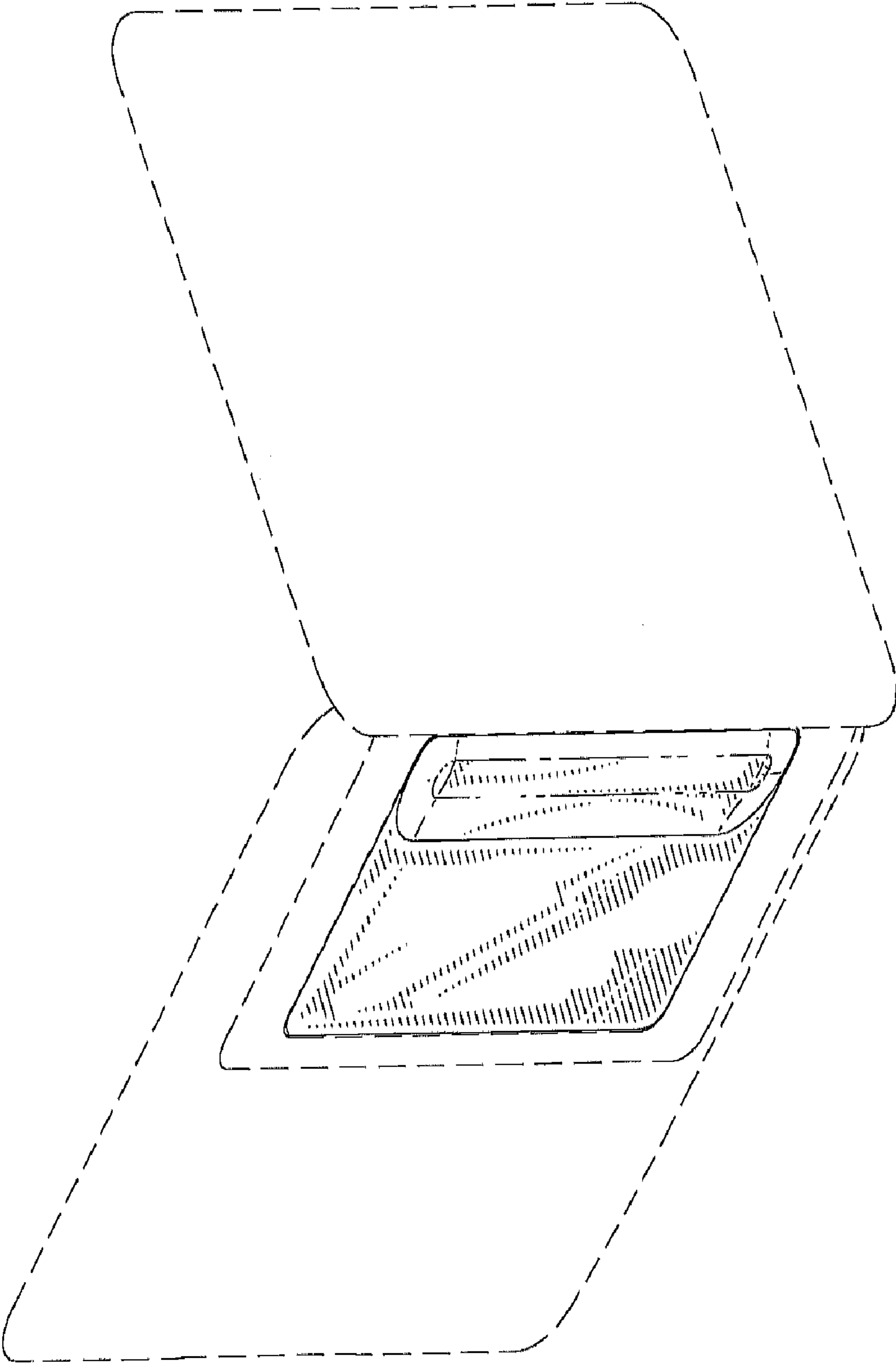


Fig. 8