



US00D673956S

(12) **United States Design Patent**
Yokoyama

(10) **Patent No.:** **US D673,956 S**
(45) **Date of Patent:** **** Jan. 8, 2013**

(54) **LEVER FOR CARD CONNECTOR**

(75) Inventor: **Yohei Yokoyama**, Tokyo (JP)

(73) Assignee: **Japan Aviation Electronics Industry, Limited**, Tokyo (JP)

(**) Term: **14 Years**

(21) Appl. No.: **29/415,857**

(22) Filed: **Mar. 15, 2012**

(30) **Foreign Application Priority Data**

Sep. 26, 2011 (JP) 2011-021865

(51) **LOC (9) Cl.** **14-02**

(52) **U.S. Cl.** **D14/432**

(58) **Field of Classification Search** D14/316-319,
D14/432-439, 442, 451-454, 496, 495, 480.6,
D14/387, 391, 385, 367, 356; D8/331, 330;
D18/50, 4.6, 4.5; 439/630, 635, 639, 160;
360/2; 235/492, 486, 479, 380

See application file for complete search history.

(56) **References Cited**

U.S. PATENT DOCUMENTS

D275,553 S *	9/1984	Emmie et al.	D8/363
D312,205 S *	11/1990	de Rooij	D8/373
D366,207 S *	1/1996	Thompson	D8/373
D373,074 S *	8/1996	Miyashita	D8/382
D410,192 S *	5/1999	Giese	D8/354
D438,512 S *	3/2001	Nishio et al.	D13/147
D438,778 S *	3/2001	Ribe	D8/354
6,406,312 B1 *	6/2002	Heitkamp	439/160
6,948,961 B2	9/2005	Oguchi	

D513,969 S *	1/2006	Schurr et al.	D8/380
D526,558 S *	8/2006	Banta	D8/354
D556,014 S *	11/2007	Wurdack	D8/349
7,295,447 B2 *	11/2007	Strmiska et al.	361/798
D578,127 S *	10/2008	Crisp et al.	D14/432
D592,669 S *	5/2009	Malisse et al.	D14/451
D612,224 S *	3/2010	Wendt	D8/354
D619,878 S *	7/2010	Sjoqvist	D8/354
D655,149 S *	3/2012	Dotsey	D8/354
D657,658 S *	4/2012	Jones	D8/354
D668,253 S *	10/2012	Yokoyama	D14/432
D668,254 S *	10/2012	Yokoyama	D14/432
D669,084 S *	10/2012	Yokoyama	D14/432

* cited by examiner

Primary Examiner — Austin Murphy

(74) *Attorney, Agent, or Firm* — Cermack Nakajima LLP;
Tomoko Nakajima

(57) **CLAIM**

The ornamental design for a lever for card connector, as shown.

DESCRIPTION

FIG. 1 is a front elevational view of a lever for card connector showing my new design;

FIG. 2 is a top plan view thereof;

FIG. 3 is a right side elevational view thereof;

FIG. 4 is a left side elevational view thereof;

FIG. 5 is a rear elevational view thereof;

FIG. 6 is a bottom plan view thereof.

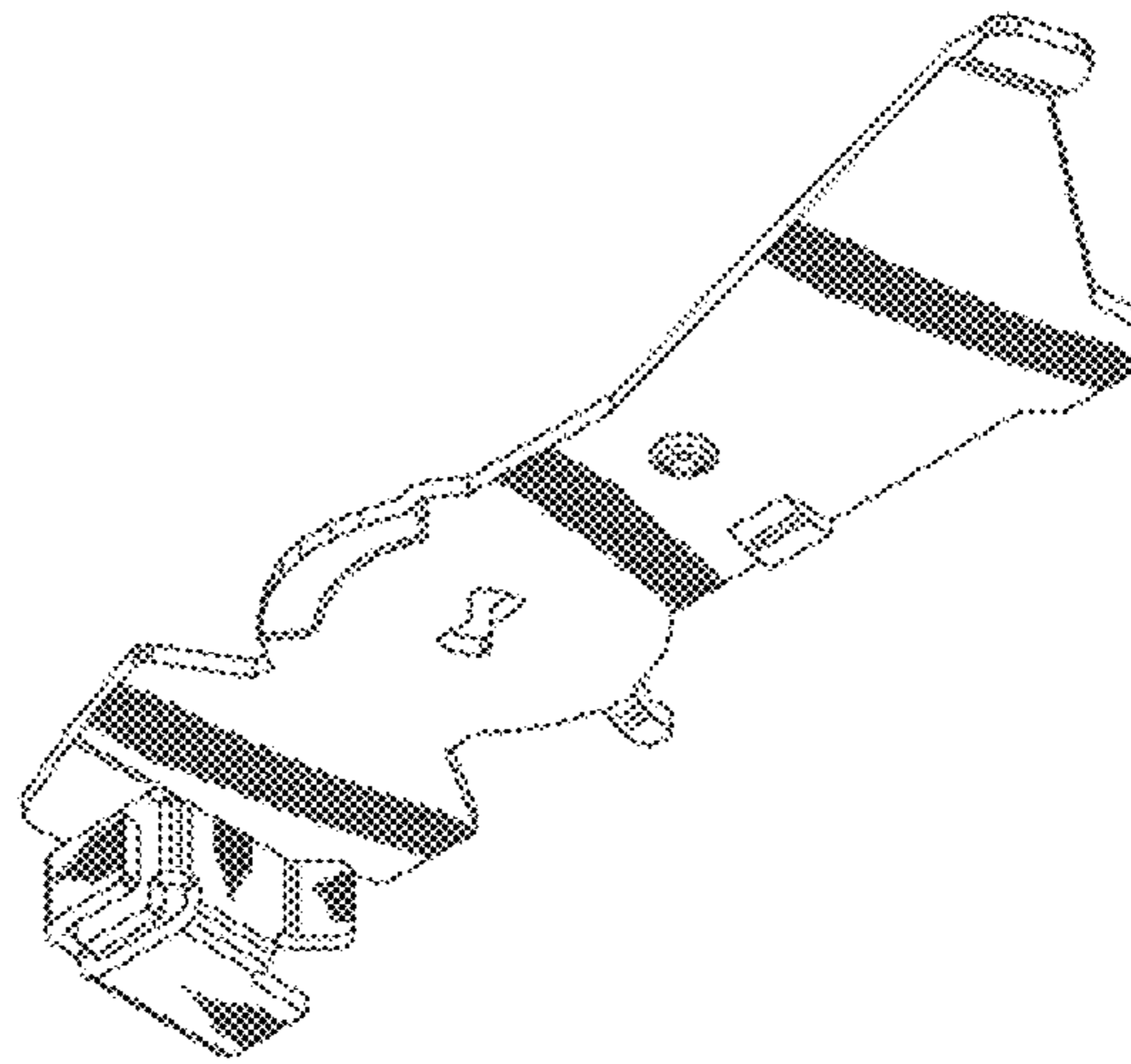
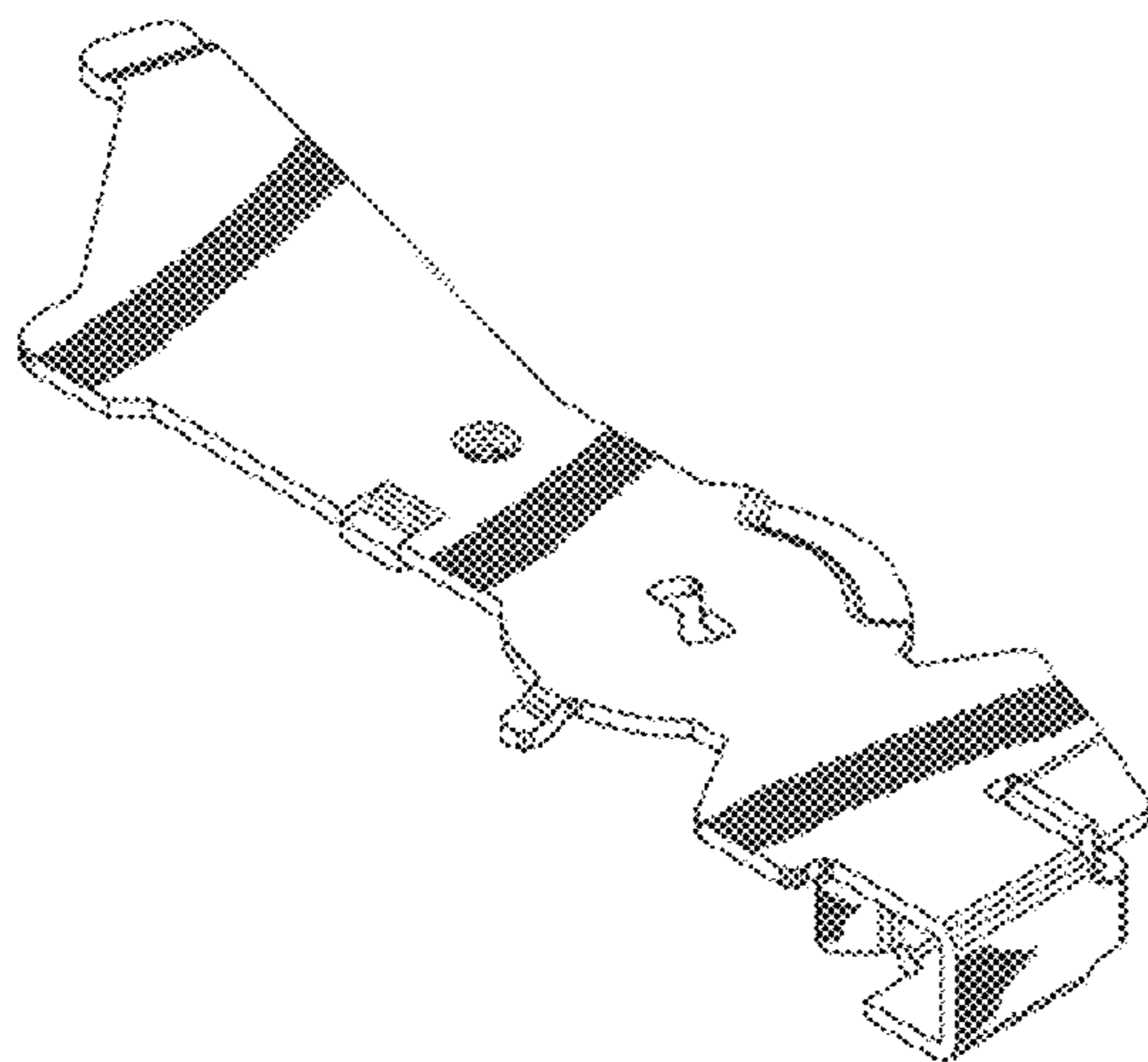
FIG. 7 is a front and top perspective view thereof;

FIG. 8 is a front and bottom perspective view thereof;

FIG. 9 is a rear and top perspective view thereof; and,

FIG. 10 is a rear and bottom perspective view thereof.

1 Claim, 10 Drawing Sheets



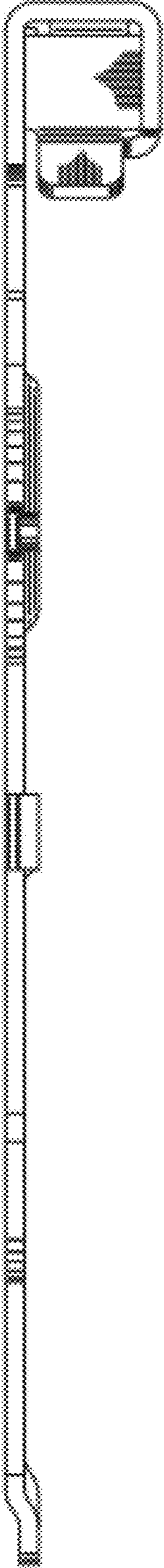


FIG.1

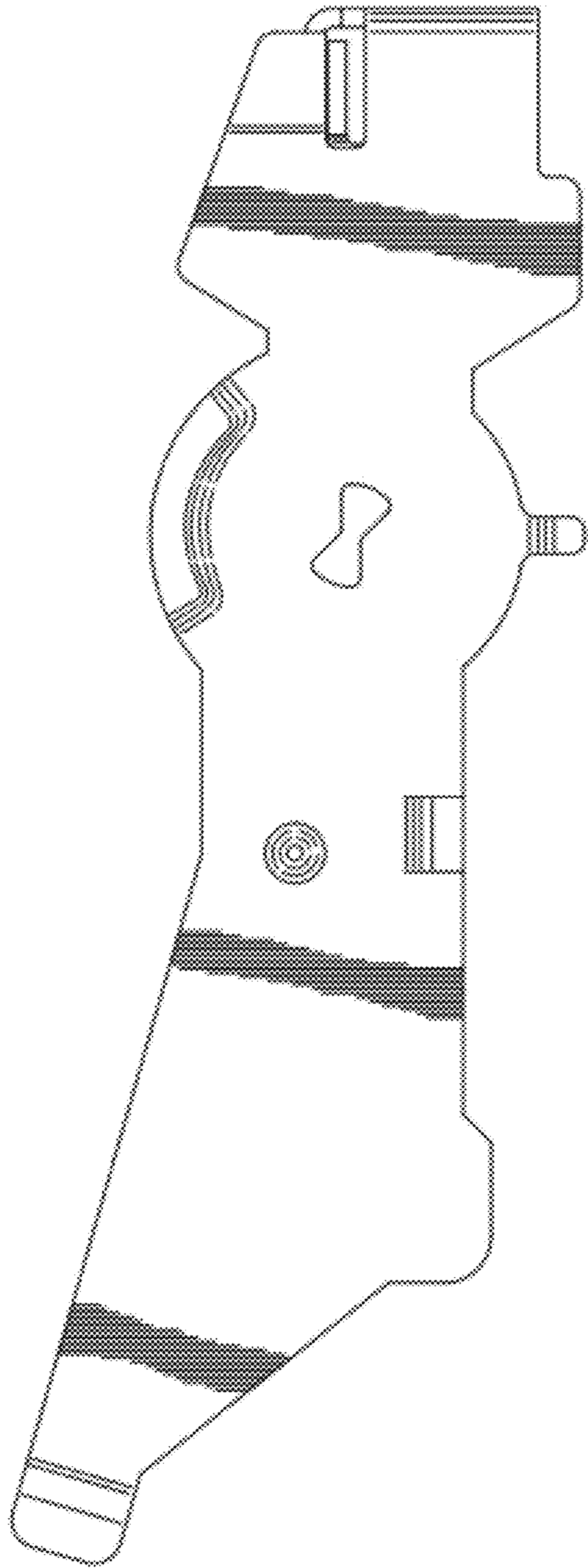


FIG. 2

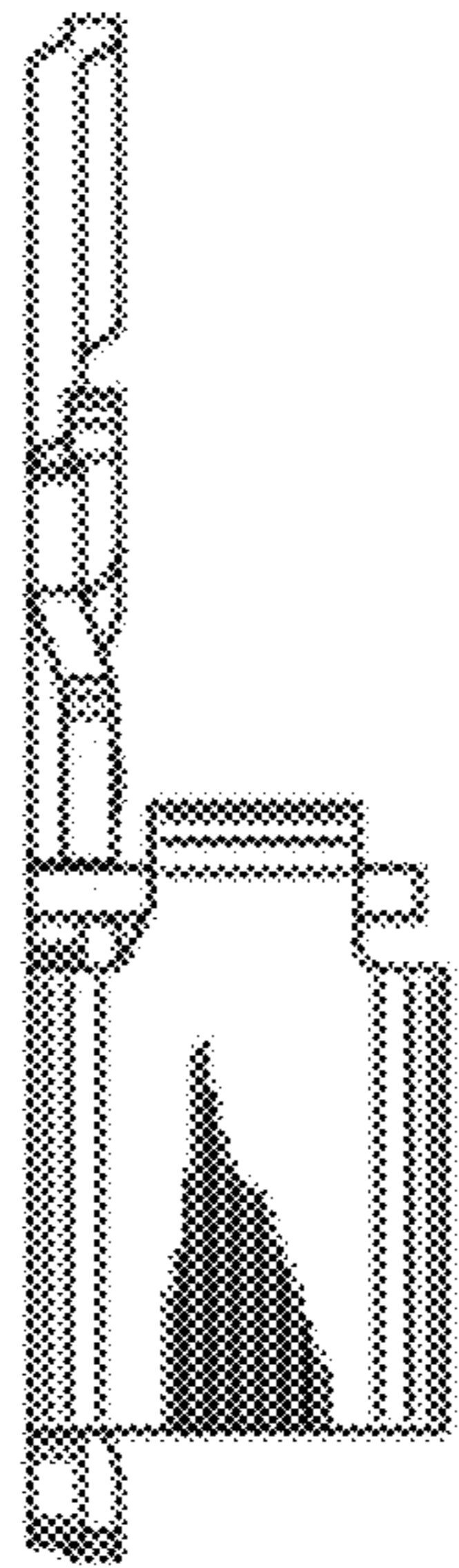


FIG. 3

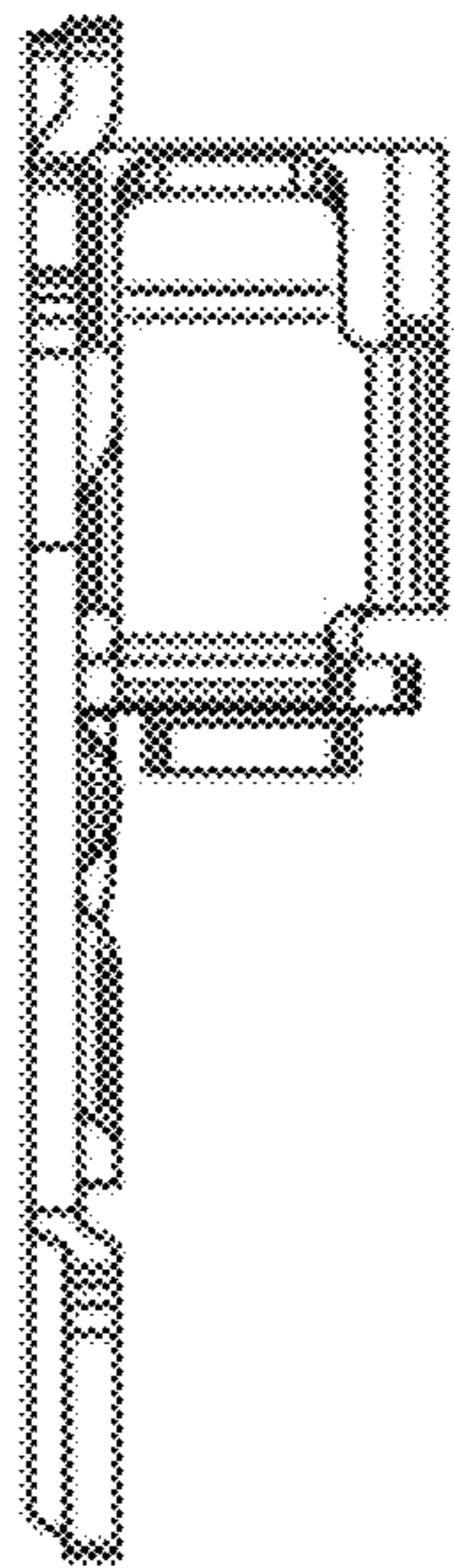


FIG.4

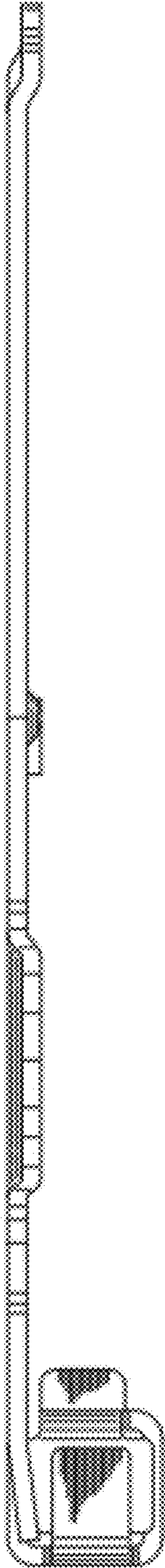


FIG. 5

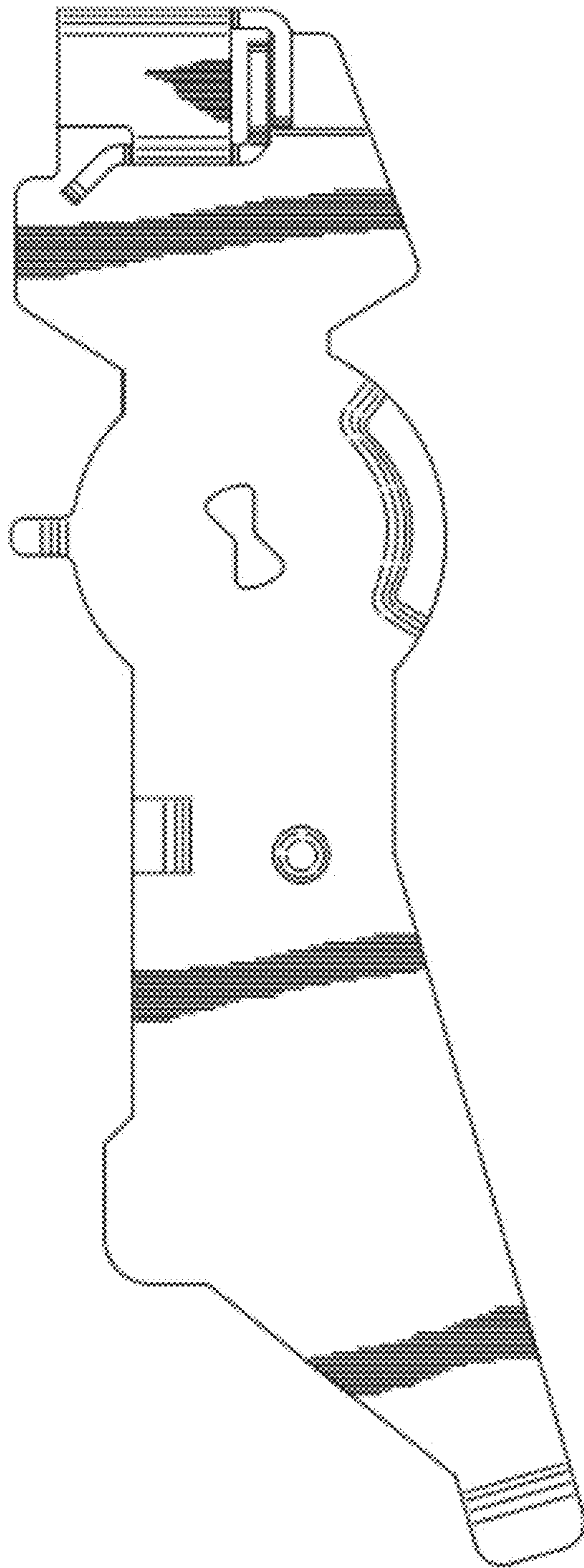


FIG.6

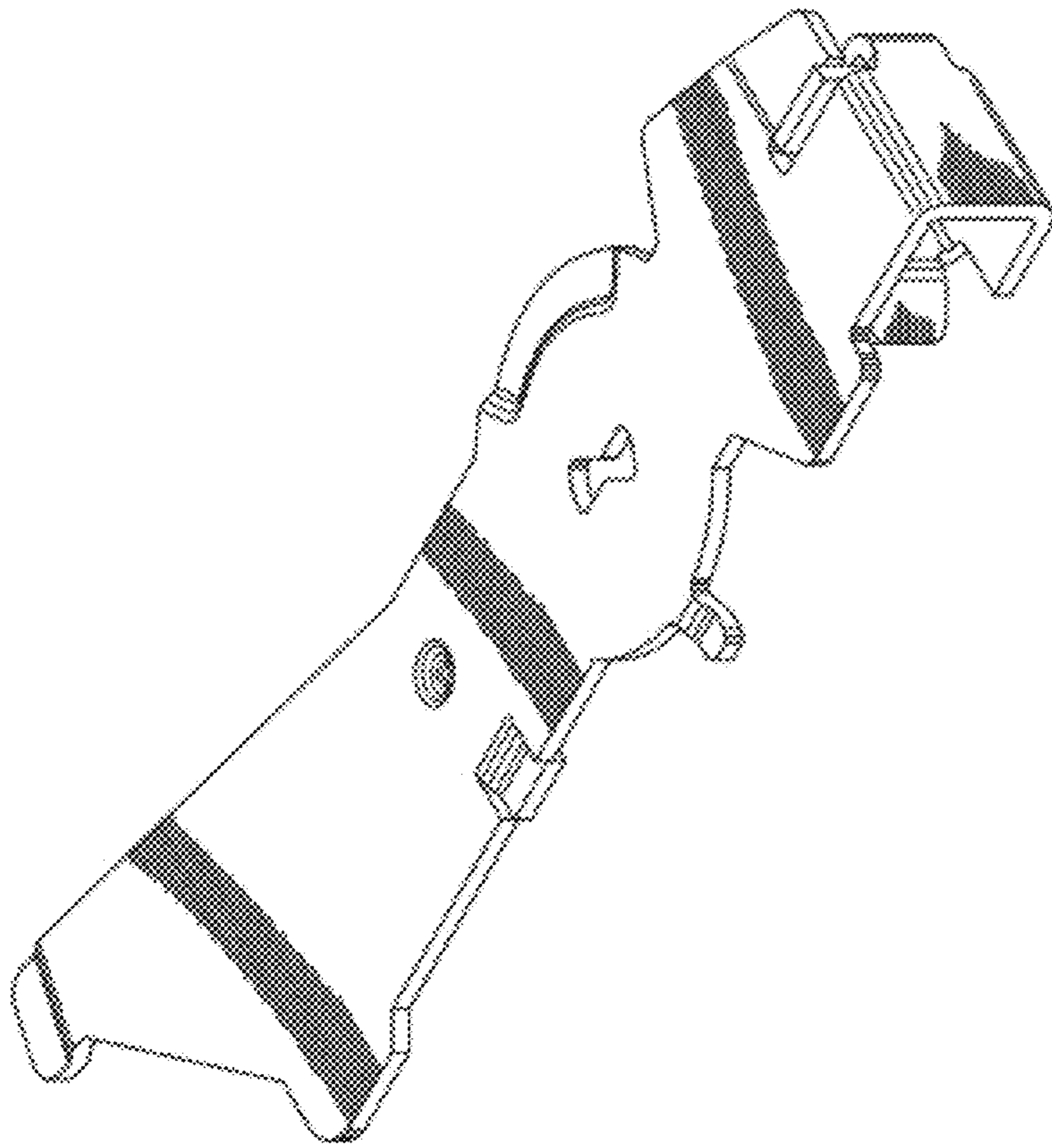


FIG.7

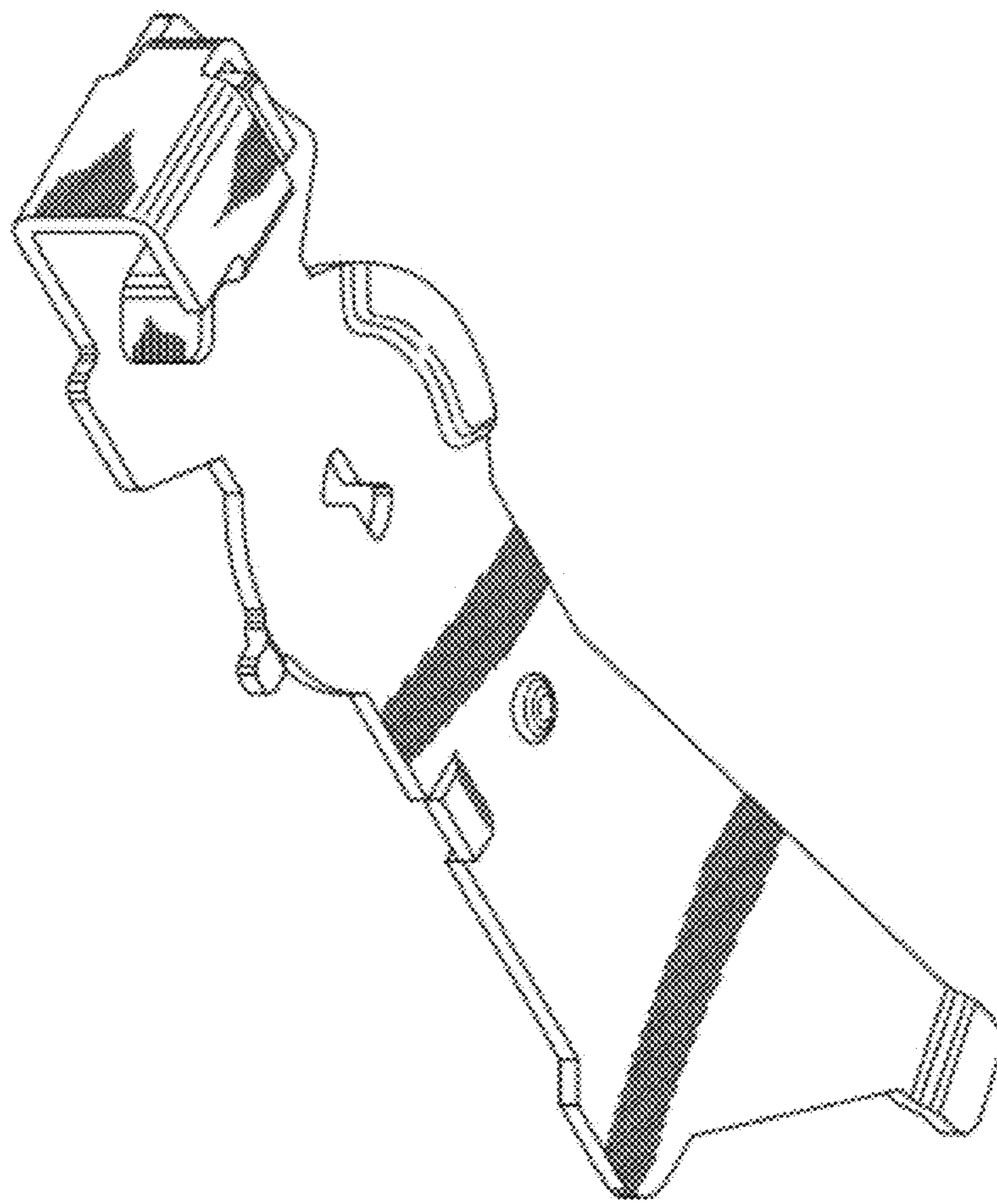


FIG. 8

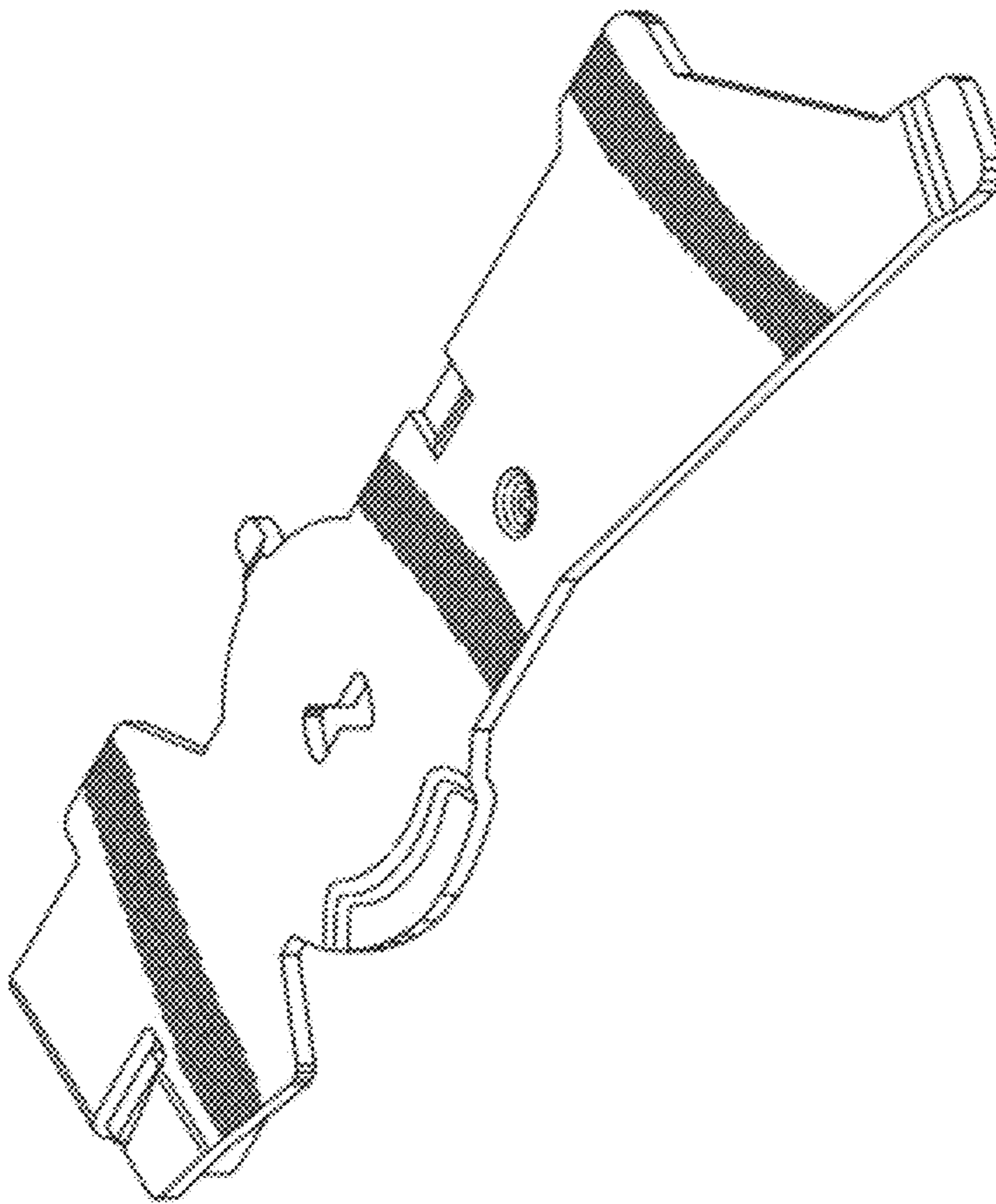


FIG. 9

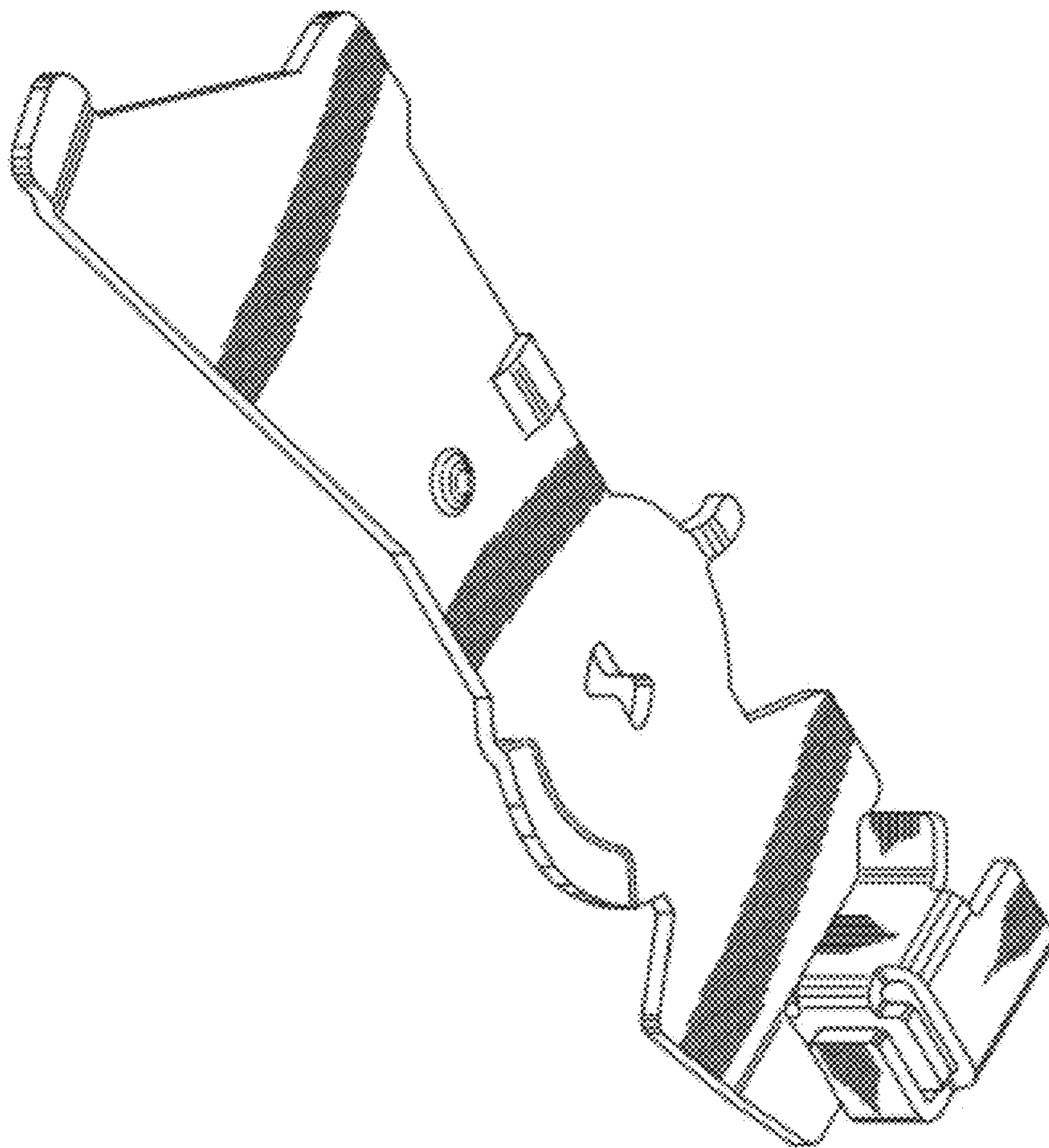


FIG.10