



US00D673955S

(12) **United States Design Patent**
Mangaroo et al.

(10) **Patent No.:** **US D673,955 S**
(45) **Date of Patent:** **** Jan. 8, 2013**

(54) **HANDHELD COMPUTER**

(75) Inventors: **Alan Mangaroo**, Mississauga (CA);
Edward Anthony Hackett, London
(GB); **Benjamin James Cullen**, London
(GB); **Nader Newman**, Brampton (CA);
Herb Turzer, Mississauga (CA)

(73) Assignee: **Psion Inc.**, Mississauga, Ontario (CA)

(**) Term: **14 Years**

(21) Appl. No.: **29/355,105**

(22) Filed: **Feb. 2, 2010**

(51) **LOC (9) Cl.** **14-02**

(52) **U.S. Cl.** **D14/429; D14/453; D14/426**

(58) **Field of Classification Search** D14/420,
D14/426-430, 453, 346, 341, 347, 412, 138;
D13/107, 184; 358/473; 235/462.43, 462.45,
235/462.47, 462.48, 462.44, 462.46, 487,
235/472.01, 472.02, 145 A, 145 R; D10/78;
324/426; D3/273; 710/73; D18/7; 361/679;
382/313, 321; 455/575.1, 561, 572; 345/156,
345/168, 169, 172, 173, 87

See application file for complete search history.

(56) **References Cited**

U.S. PATENT DOCUMENTS

D355,904 S *	2/1995	Swartz et al.	D14/429
D357,240 S *	4/1995	Kitazumi et al.	D14/429
D363,470 S *	10/1995	Yamamoto	D14/347
D381,975 S *	8/1997	Trausch et al.	D14/426
D383,124 S *	9/1997	Lanzaro et al.	D14/429
D386,152 S *	11/1997	Warneke	D14/347
D390,554 S *	2/1998	Larson et al.	D14/137
D391,234 S *	2/1998	Chacon et al.	D14/341
5,736,726 A *	4/1998	VanHorn et al.	235/472.02
D398,903 S *	9/1998	Chacon et al.	D14/343
5,831,819 A *	11/1998	Chacon et al.	361/679.56
D414,172 S *	9/1999	Hetfield et al.	D14/426
D414,470 S *	9/1999	Chacon et al.	D14/341
D414,760 S *	10/1999	Hetfield et al.	D14/426
5,969,328 A *	10/1999	Kunert	235/472.01
D417,445 S *	12/1999	Chacon et al.	D14/399

D420,680 S *	2/2000	Curtis	D14/248
D421,004 S *	2/2000	Curtis	D14/138 AA
6,031,524 A *	2/2000	Kunert	345/173
D425,057 S *	5/2000	Finkbeiner	D14/138 AA
D428,883 S *	8/2000	Mizusugi et al.	D14/346
D429,226 S *	8/2000	Siddoway et al.	D14/347
D430,158 S *	8/2000	Bhatia et al.	D14/341
D430,159 S *	8/2000	Bhatia et al.	D14/341
6,109,528 A *	8/2000	Kunert et al.	235/472.01
D431,562 S *	10/2000	Bhatia et al.	D14/341
D433,017 S *	10/2000	Martinez	D14/346
D436,104 S *	1/2001	Bhatia et al.	D14/341
6,181,992 B1 *	1/2001	Gurne et al.	701/31.4
D439,898 S *	4/2001	Ober et al.	D14/347
D462,357 S *	9/2002	Jenkins	D14/426
D463,425 S *	9/2002	Jenkins	D14/347
D464,645 S *	10/2002	O'Neil	D14/248
6,470,637 B2 *	10/2002	Gratz	52/287.1
D467,918 S *	12/2002	Fitch et al.	D14/347
D473,872 S *	4/2003	Ausems et al.	D14/420
6,633,483 B2 *	10/2003	Akagi et al.	361/679.4

(Continued)

Primary Examiner — Susan Moon Lee

(74) *Attorney, Agent, or Firm* — Gardner, Linn, Burkhardt & Flory, LLP

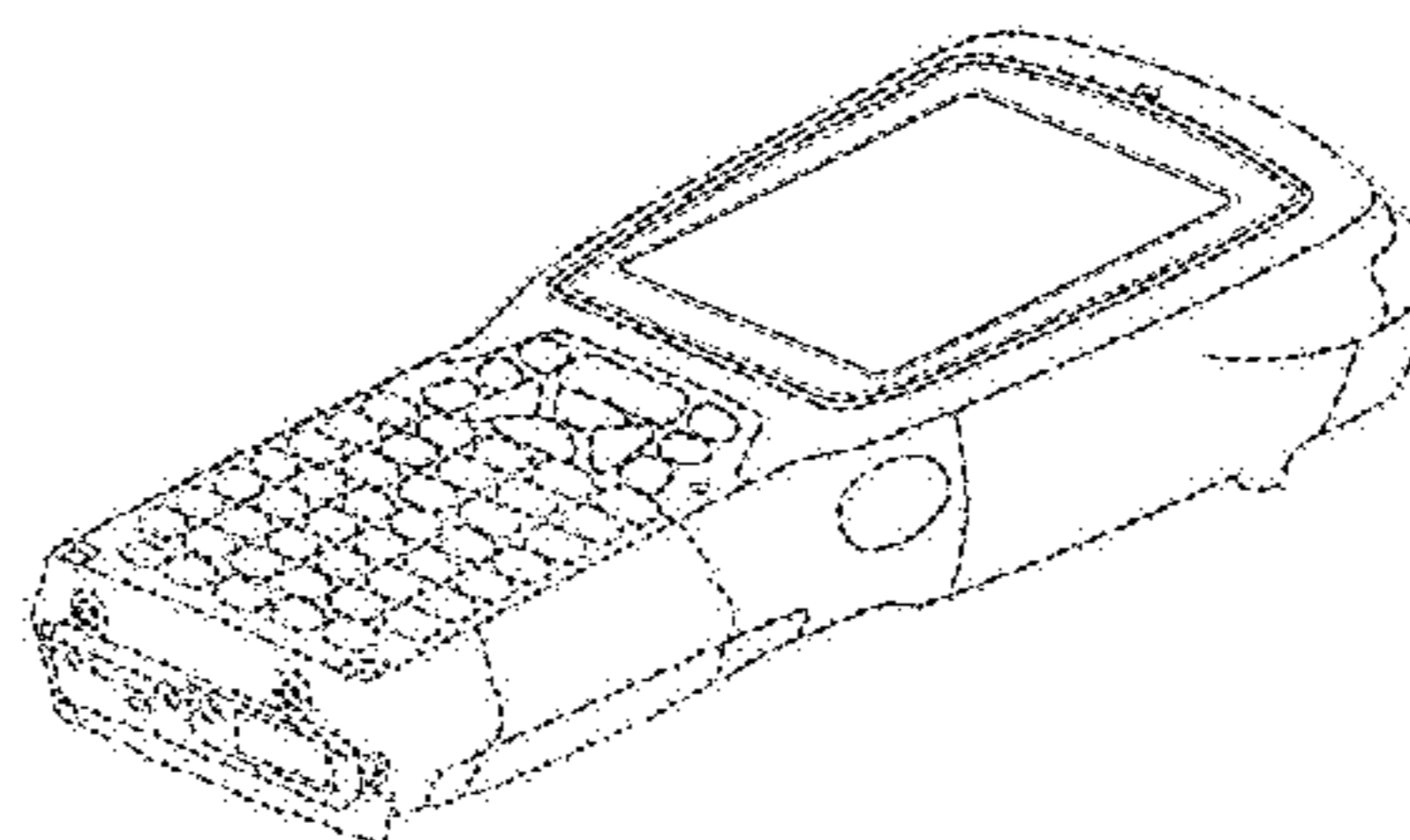
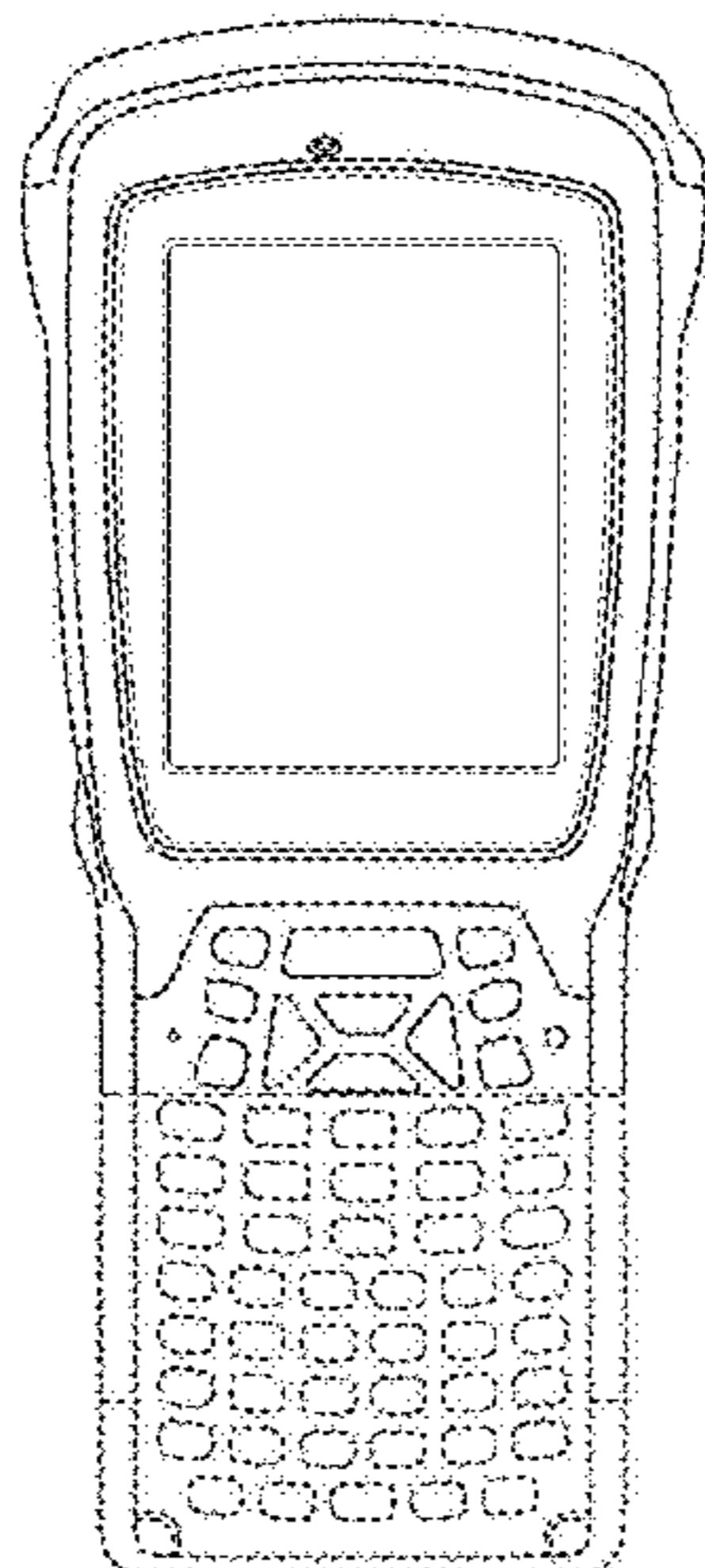
(57) **CLAIM**

The ornamental design for a handheld computer, as shown and described.

DESCRIPTION

FIG. 1 is front view of a handheld computer showing our new design;
FIG. 2 is a side view thereof, the other side view being a mirror image of the side view shown in FIG. 2;
FIG. 3 is rear view thereof;
FIG. 4 is top view thereof;
FIG. 5 is a bottom view thereof; and,
FIG. 6 is a front isometric view thereof.
Any broken lines and portions contained within are not claimed. Dot-dash lines are used as boundary lines to delineate between the claimed and unclaimed portions of the design.

1 Claim, 4 Drawing Sheets



US D673,955 S

Page 2

U.S. PATENT DOCUMENTS

D494,593	S *	8/2004	Wulff et al.	D14/429
D496,366	S *	9/2004	Croley et al.	D14/429
D497,160	S *	10/2004	Nagao et al.	D14/346
6,822,853	B2 *	11/2004	Wulff et al.	361/679.08
6,832,729	B1 *	12/2004	Perry et al.	235/472.01
D505,422	S *	5/2005	Kakizaki et al.	D14/347
6,920,343	B2 *	7/2005	Uemura et al.	455/575.1
D518,043	S *	3/2006	Barness et al.	D14/346
7,050,009	B2 *	5/2006	Chirila	343/702
D538,291	S *	3/2007	Croley et al.	D14/453
D538,292	S *	3/2007	Croley et al.	D14/453
D539,294	S *	3/2007	Croley et al.	D14/453
7,195,168	B2 *	3/2007	Wulff	235/462.45
7,195,169	B2 *	3/2007	Bhatia et al.	235/472.01
D557,696	S *	12/2007	Conti et al.	D14/346
7,307,645	B2 *	12/2007	Forsythe	345/690
D558,760	S *	1/2008	Fitch et al.	D14/346
D558,776	S *	1/2008	Croley et al.	D14/453
D560,223	S *	1/2008	Morris et al.	D14/453
7,344,323	B2 *	3/2008	Fries et al.	400/88
D567,815	S *	4/2008	Morris et al.	D14/453
D571,808	S *	6/2008	Dorr et al.	D14/429
7,401,162	B2 *	7/2008	Baker et al.	710/8
D574,830	S *	8/2008	Tasselli et al.	D14/426
D575,287	S *	8/2008	Miyashita	D14/426
7,446,753	B2 *	11/2008	Fitch et al.	345/156
D599,798	S *	9/2009	Fitch et al.	D14/426
D611,943	S *	3/2010	Boyd	D14/346
D612,854	S *	3/2010	Arnold et al.	D14/429
D613,289	S *	4/2010	Alegiani et al.	D14/426
D613,290	S *	4/2010	Arnold et al.	D14/429
D614,626	S *	4/2010	Dai et al.	D14/426
D614,627	S *	4/2010	Lerner et al.	D14/429
D618,688	S *	6/2010	Ingold et al.	D14/429
D619,138	S *	7/2010	Ingold et al.	D14/429
D622,726	S *	8/2010	Alegiani et al.	D14/429
D629,001	S *	12/2010	Palmer et al.	D14/426
D633,502	S *	3/2011	Alegiani	D14/429
D634,744	S *	3/2011	Palmer et al.	D14/347
7,903,033	B2 *	3/2011	Bellows	343/702
D638,422	S *	5/2011	Reed et al.	D14/347
D641,354	S *	7/2011	Hsu	D14/341
7,992,787	B2 *	8/2011	Mangaroo et al.	235/472.01
8,025,236	B2 *	9/2011	Mangaroo et al.	235/472.01
8,048,552	B1 *	11/2011	Mao	429/97
8,071,878	B2 *	12/2011	Mangaroo et al.	174/50.5
8,079,525	B1 *	12/2011	Zolotov	235/469
D657,398	S *	4/2012	Calderwood et al.	D15/28
D658,174	S *	4/2012	Tasselli et al.	D14/347
8,169,786	B2 *	5/2012	Mangaroo	361/752
D661,306	S *	6/2012	Cullen et al.	D14/426
D662,099	S *	6/2012	Cullen et al.	D14/426
D664,145	S *	7/2012	Cullen et al.	D14/426
2002/0023961	A1 *	2/2002	Itou et al.	235/472.01
2003/0089775	A1 *	5/2003	Yeakley et al.	235/454
2003/0121981	A1 *	7/2003	Slutsky et al.	235/462.45
2005/0001037	A1 *	1/2005	Wulff	235/462.43
2005/0017078	A1 *	1/2005	Bhatia et al.	235/462.45
2005/0068201	A1 *	3/2005	Wulff et al.	341/20
2006/0054704	A1 *	3/2006	Fitch et al.	235/472.01
2007/0158429	A1 *	7/2007	Bhatia et al.	235/462.45
2008/0006699	A1 *	1/2008	Hattersley et al.	235/472.01
2008/0297479	A1 *	12/2008	Yeh	345/169
2009/0093229	A1 *	4/2009	Grunow et al.	455/404.2
2009/0168337	A1 *	7/2009	Conti et al.	361/679.56
2009/0224039	A1 *	9/2009	Hause et al.	235/385
2009/0270136	A1 *	10/2009	Su et al.	455/572

* cited by examiner

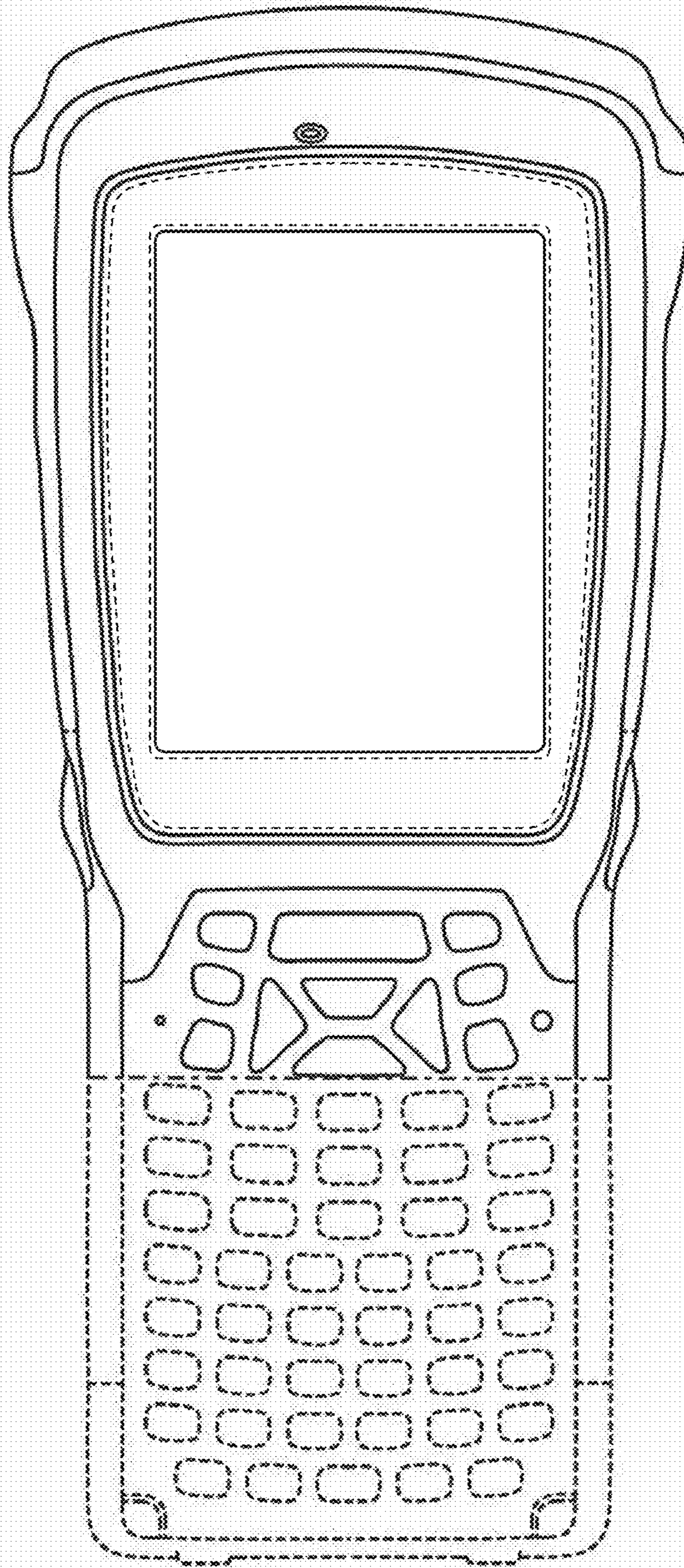


Fig. 1

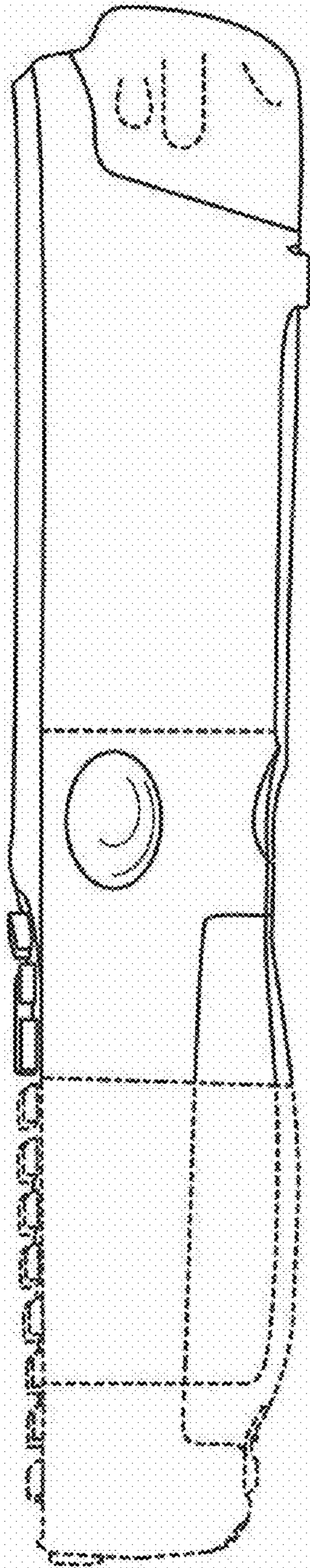


Fig. 2

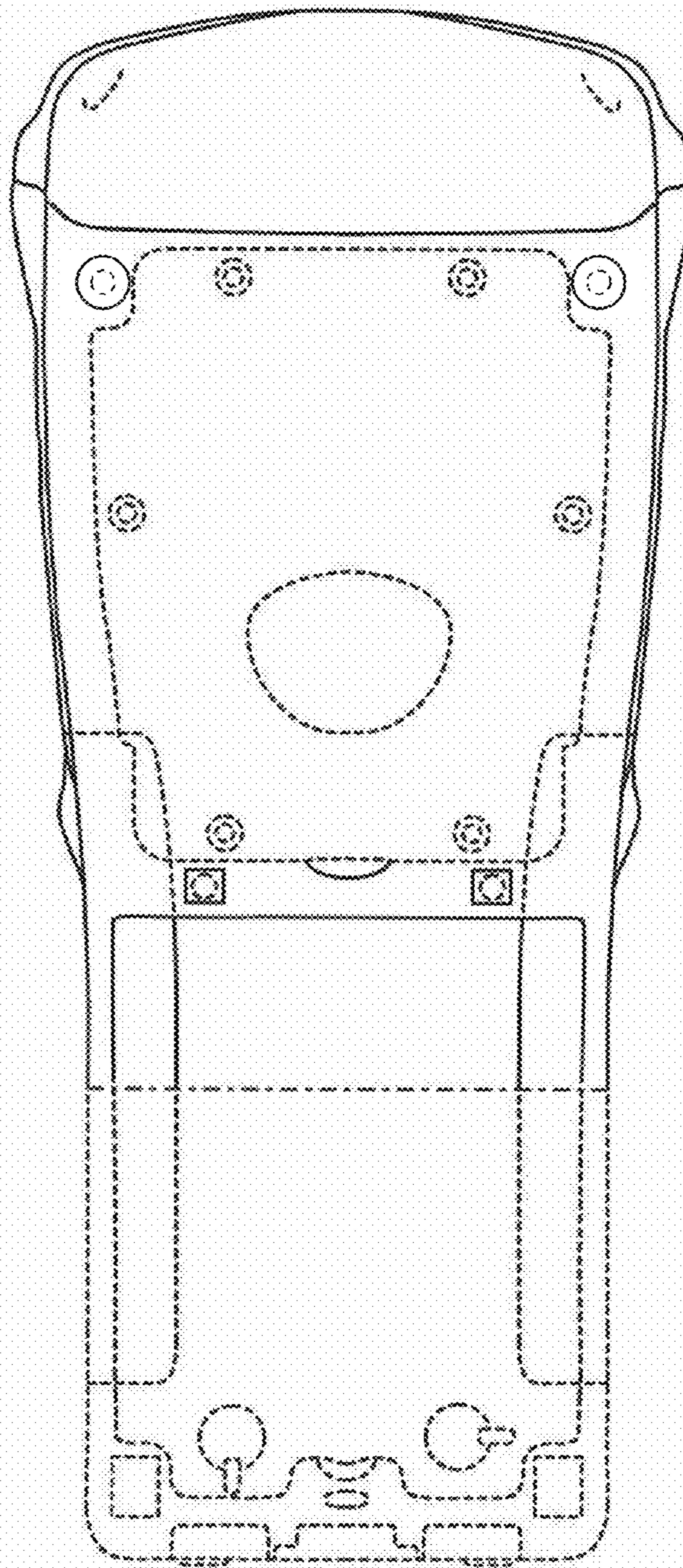


Fig. 3

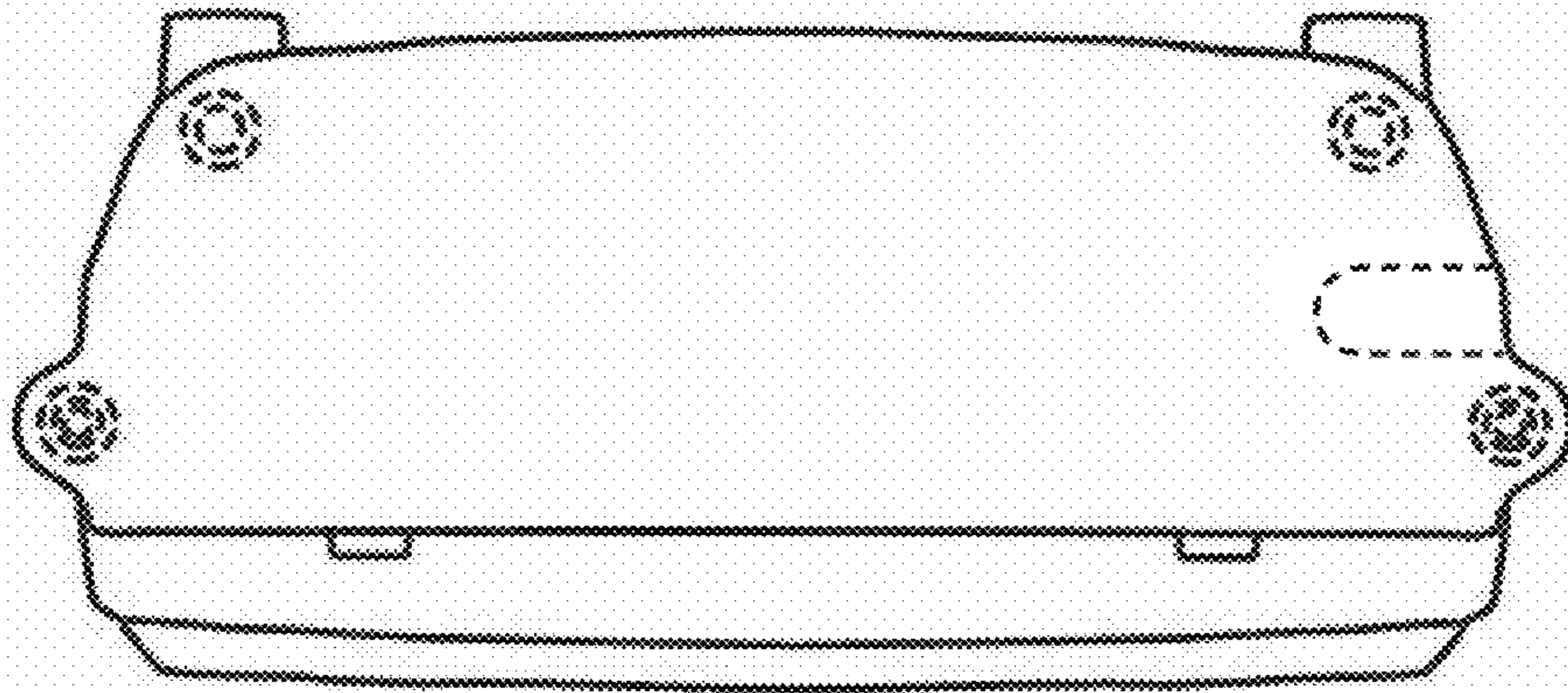


Fig. 4

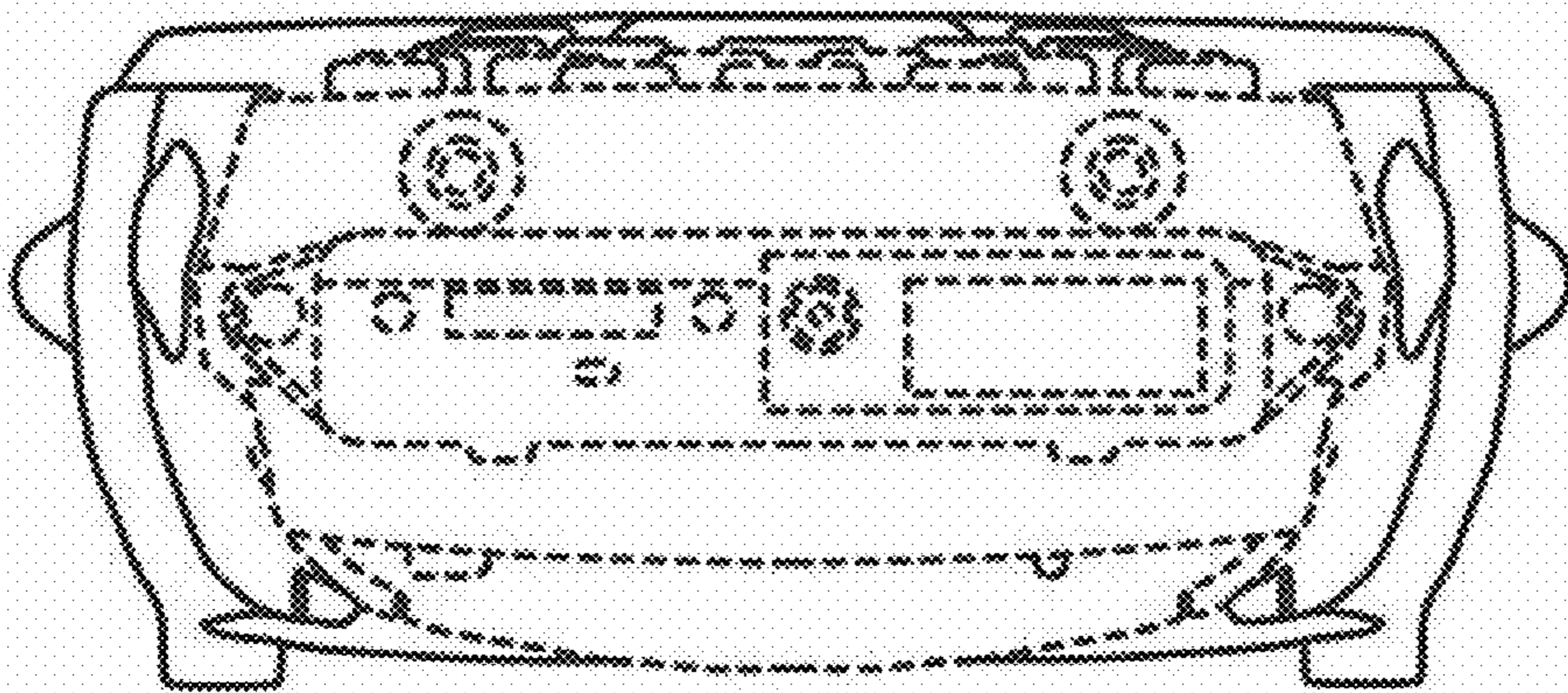


Fig. 5

