



US00D673954S

(12) **United States Design Patent**
Li et al.

(10) **Patent No.:** **US D673,954 S**
(45) **Date of Patent:** **** Jan. 8, 2013**

(54) **RING-LIKE INPUT DEVICE**

(75) Inventors: **Zu-Nan Li**, New Taipei (TW); **Chen-Yi Xiao**, New Taipei (TW)

(73) Assignee: **KYE Systems Corp.** (TW)

(**) Term: **14 Years**

(21) Appl. No.: **29/408,129**

(22) Filed: **Dec. 7, 2011**

(30) **Foreign Application Priority Data**

Oct. 13, 2011 (TW) 100305489

(51) **LOC (9) Cl.** **14-02**

(52) **U.S. Cl.** **D14/411; D11/27**

(58) **Field of Classification Search** D11/1-39;
63/1.11, 3, 3.1, 3.2, 15, 15.1, 15.2, 15.3,
63/15.4, 15.45, 15.5; D24/164, 165, 166,
D24/167, 168, 186; 600/301, 481, 483, 485,
600/490; 401/8; D14/411; 345/179, 173;
15/437

See application file for complete search history.

(56) **References Cited**

U.S. PATENT DOCUMENTS

D199,195 S * 9/1964 Michelotti D11/30
D347,589 S * 6/1994 LaBate D11/3
D411,131 S * 6/1999 Chen D11/27
D483,912 S * 12/2003 Prince et al. D28/64.2
D523,769 S * 6/2006 Arlanda D11/26
D585,321 S * 1/2009 Wheatley et al. D11/26

D646,191 S * 10/2011 Murphy D11/2
D651,115 S * 12/2011 Willows et al. D11/3
D656,615 S * 3/2012 Tzeng D24/164
2008/0297491 A1 * 12/2008 Adkins 345/179
2011/0007035 A1 * 1/2011 Shai 345/179

* cited by examiner

Primary Examiner — Cathron Brooks

Assistant Examiner — Melanie Pellegrini

(74) *Attorney, Agent, or Firm* — Raymond Sun

(57) **CLAIM**

The ornamental design for a ring-like input device, as shown and described.

DESCRIPTION

FIG. 1 is a perspective view of the ring-like input device showing my new design.

FIG. 2 is a front elevational view of the ring-like input device of FIG. 1.

FIG. 3 is a rear elevational view of the ring-like input device of FIG. 1.

FIG. 4 is a left elevational view of the ring-like input device of FIG. 1.

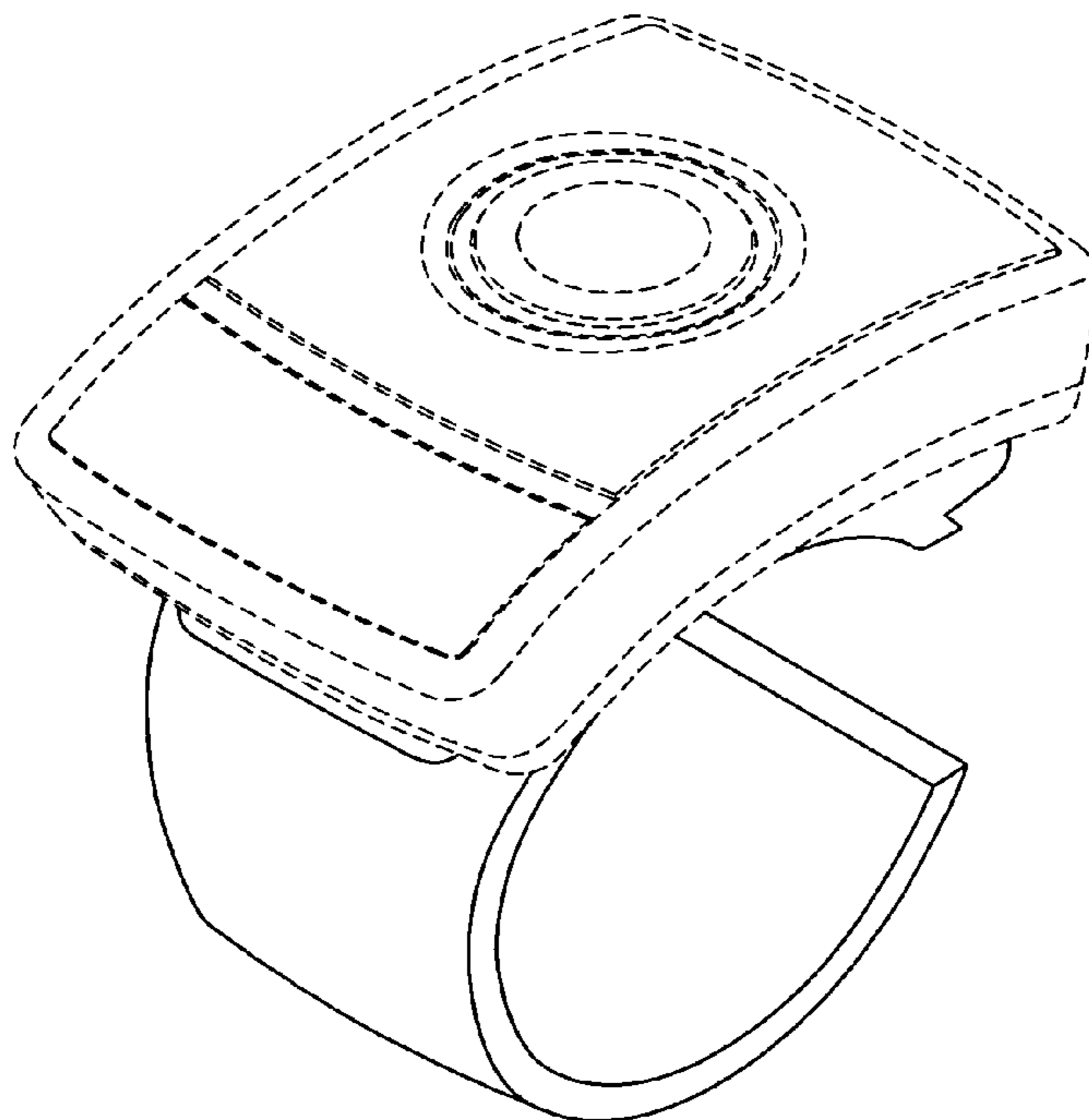
FIG. 5 is a right elevational view of the ring-like input device of FIG. 1.

FIG. 6 is a top plan view of the ring-like input device of FIG. 1; and,

FIG. 7 is a bottom plan view thereof.

The broken lines shown in the drawings illustrate portions of the ring-like input device and form no part of the claimed design.

1 Claim, 7 Drawing Sheets



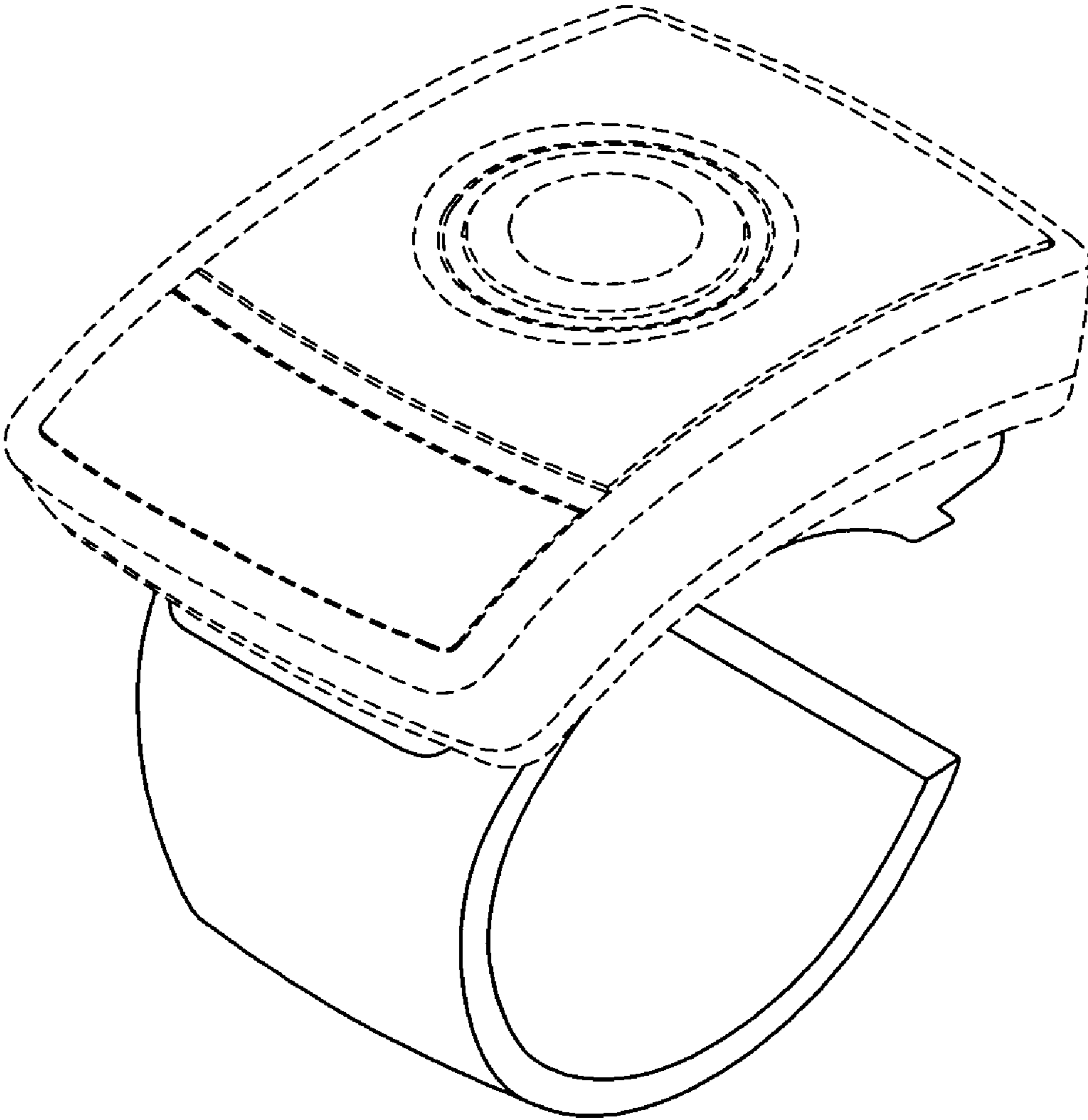


FIG. 1

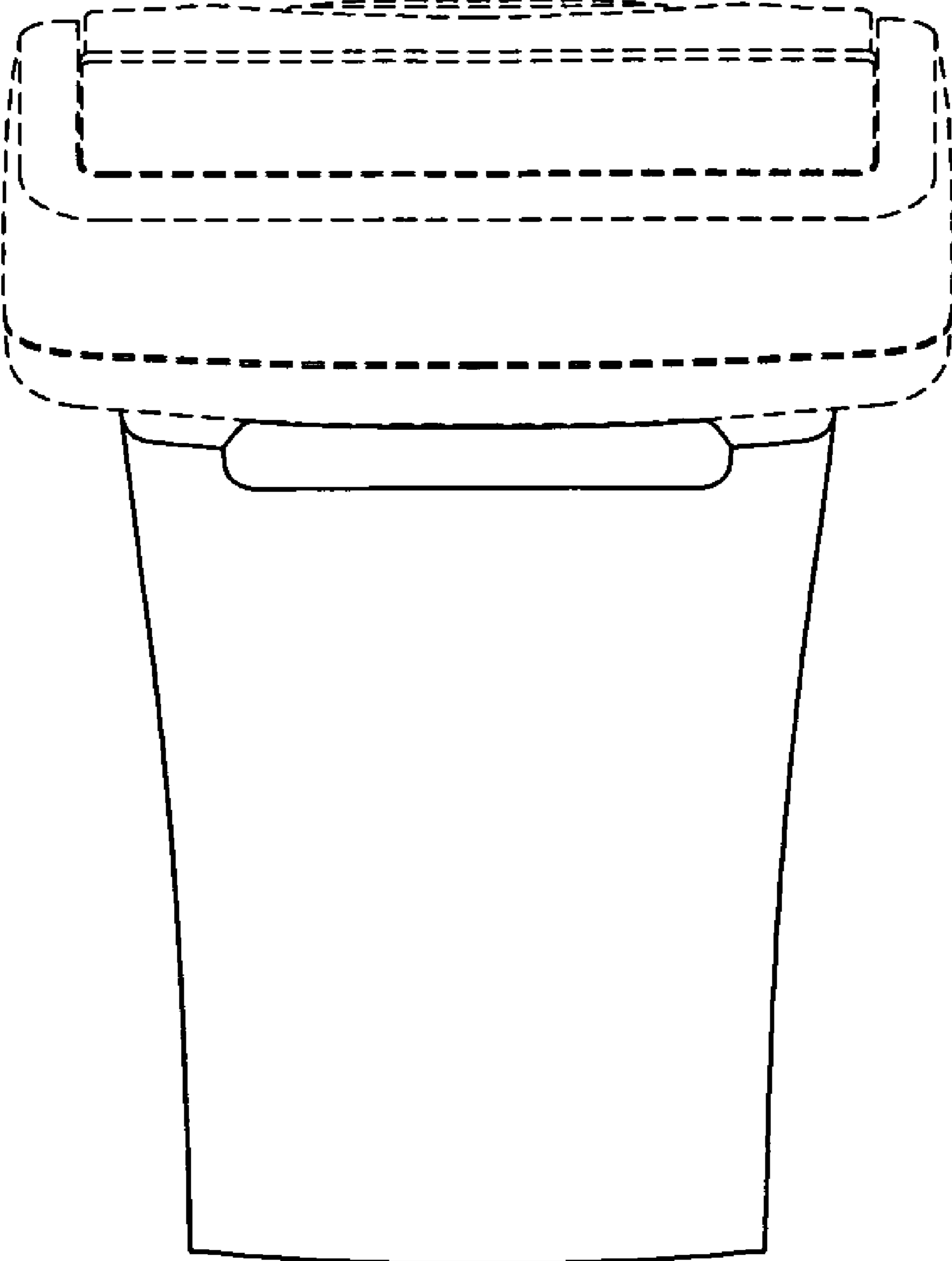


FIG. 2

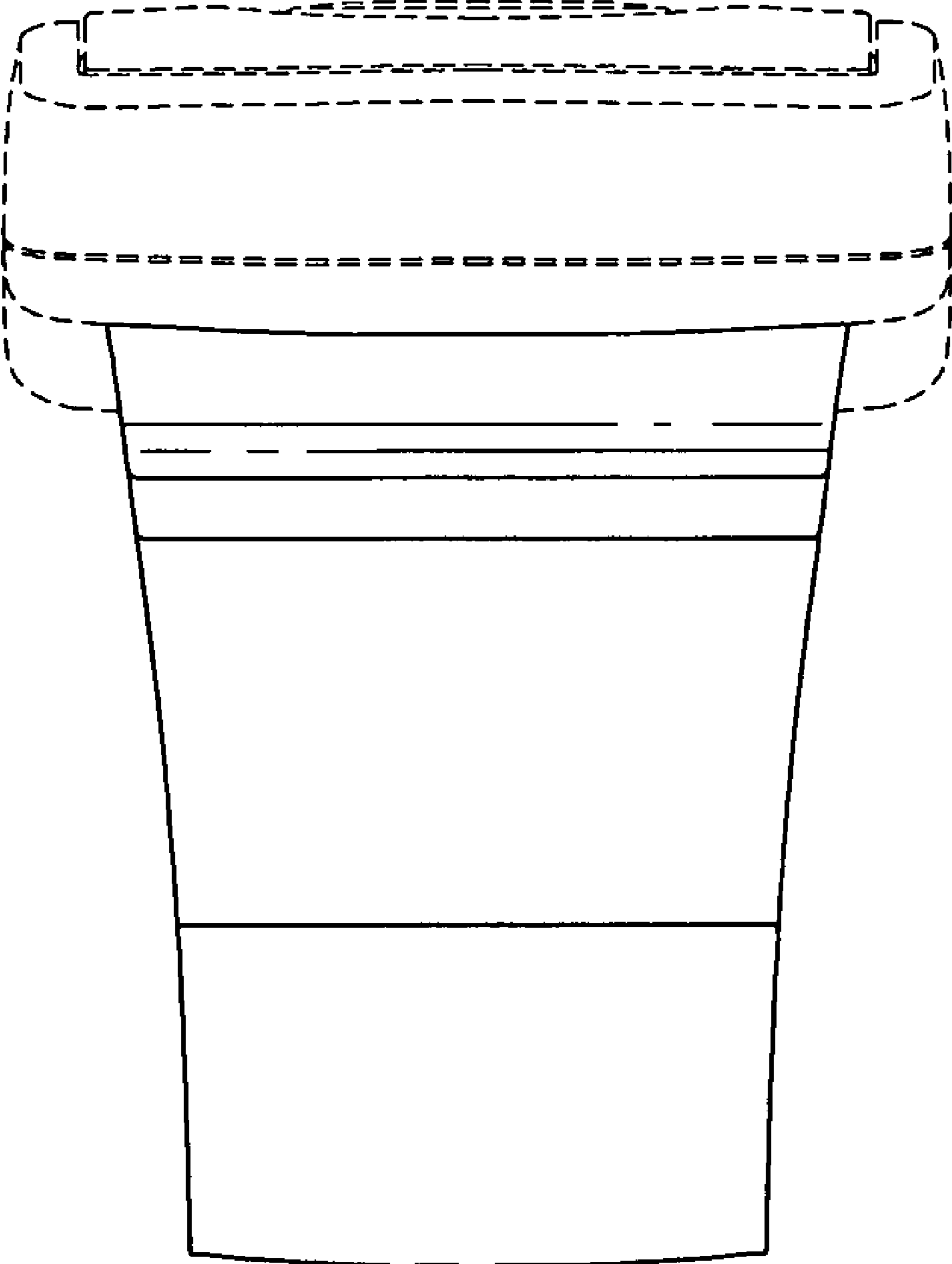


FIG. 3

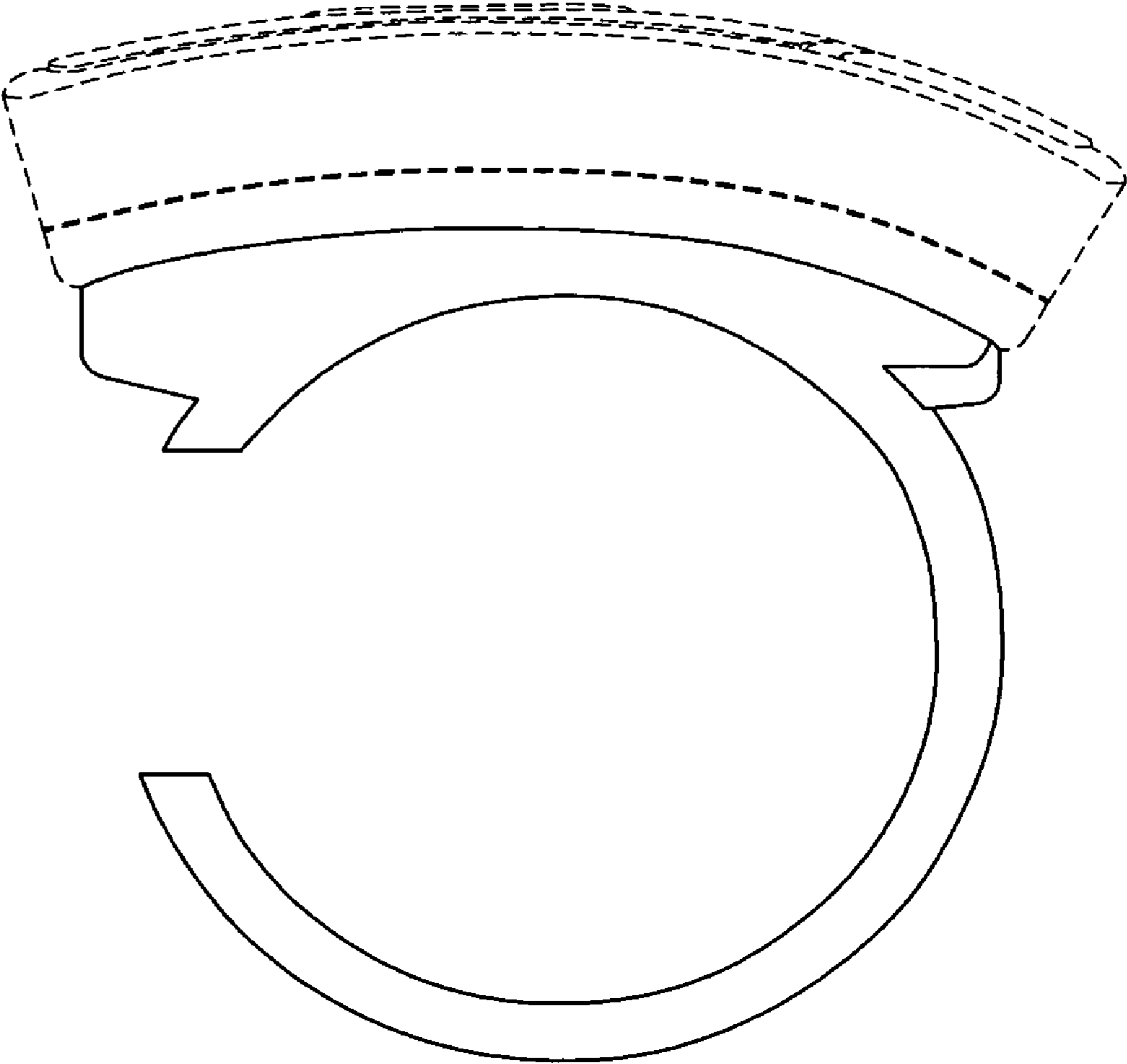


FIG.4

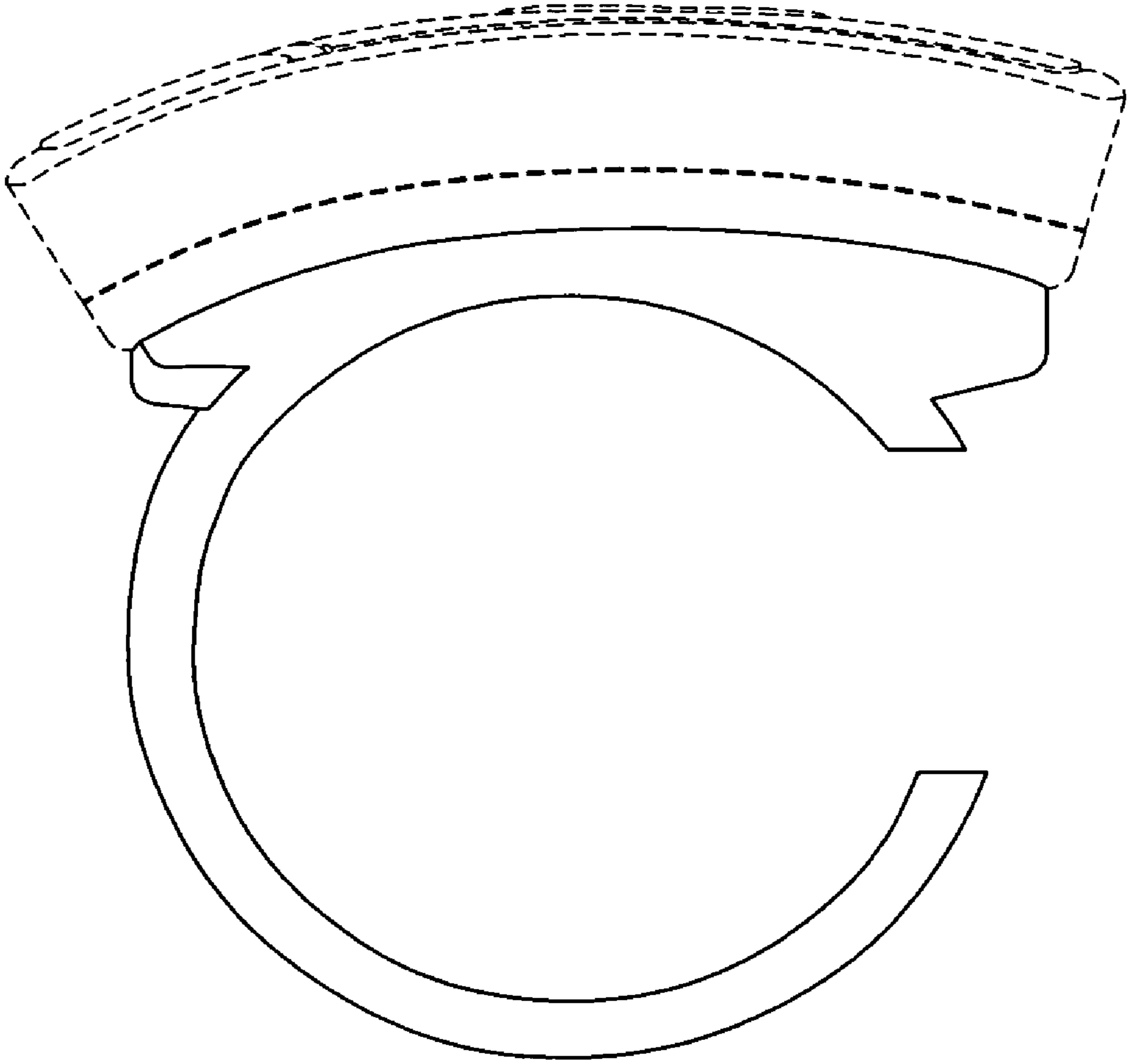


FIG. 5

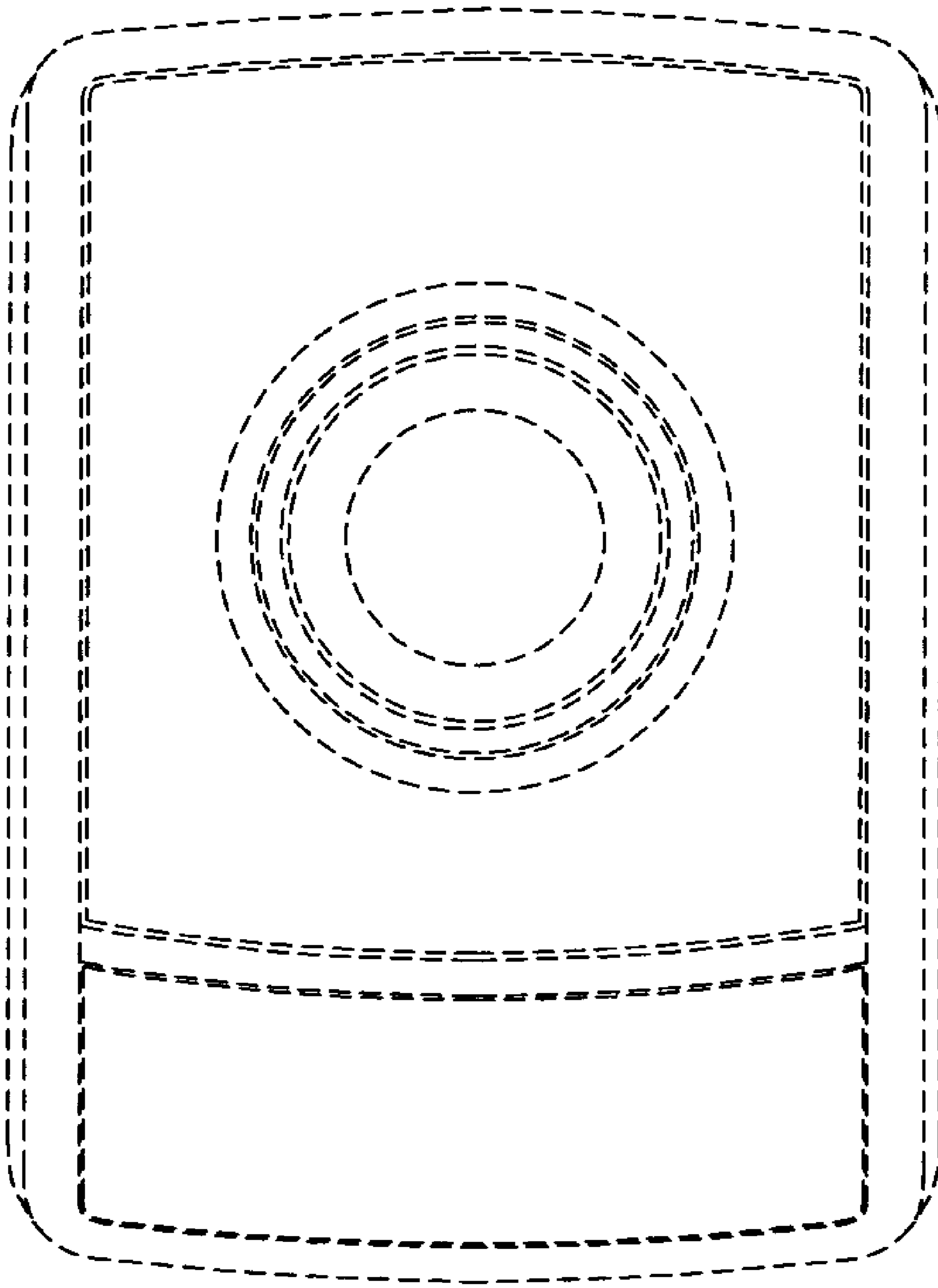


FIG. 6

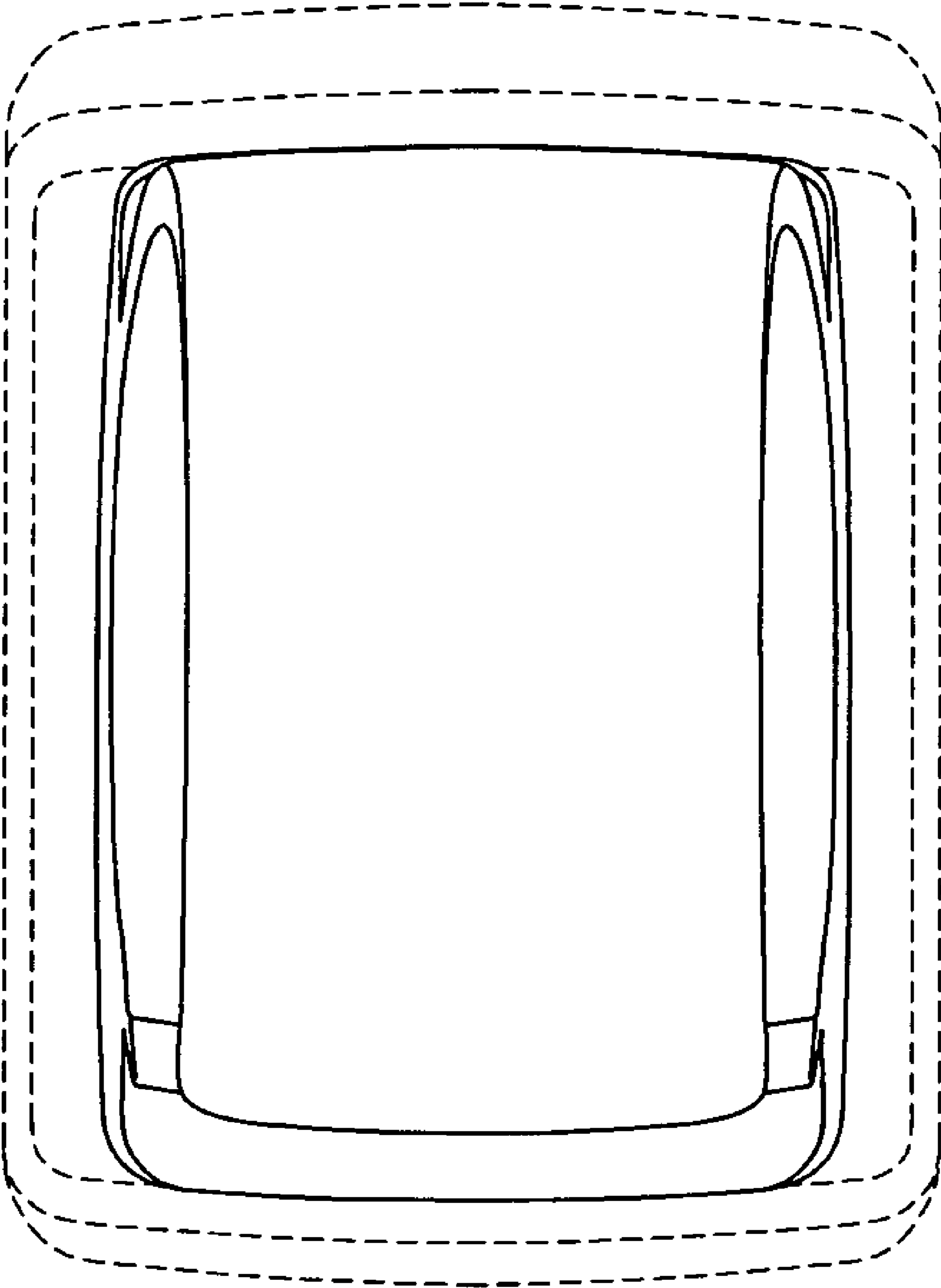


FIG. 7