



US00D673950S

(12) **United States Design Patent**
Li et al.

(10) **Patent No.:** **US D673,950 S**
(45) **Date of Patent:** **** Jan. 8, 2013**

(54) **TABLET COMPUTER**
(75) Inventors: **Qing-Ping Li**, Shenzhen (CN);
Hsing-Yuan Hsieh, New Taipei (TW)
(73) Assignee: **FIH (Hong Kong) Limited**, Kowloon
(HK)
(**) Term: **14 Years**
(21) Appl. No.: **29/396,803**
(22) Filed: **Jul. 7, 2011**
(51) **LOC (9) Cl.** **14-02**
(52) **U.S. Cl.** **D14/341**
(58) **Field of Classification Search** D14/341-347,
D14/137, 138, 138.1, 138 A, 138 AA, 138 R,
D14/138 AB, 138 AC, 138 AD, 138 C, 138 G,
D14/496, 203.1, 203.3, 203.4, 203.5, 203.7,
D14/426, 427, 432, 429, 129, 130, 420, 439-441,
D14/448, 125, 126, 147, 156, 218, 247-248,
D14/250, 389, 388, 315-318; D10/65, 104;
D18/6-7; D21/324, 329, 330; D19/26, 59,
D19/60; 455/556.1, 556.2, 566, 575.1, 90.3;
379/433.04, 433.01, 433.06, 916; 345/169,
345/173, 901, 905; 361/679.26, 679.27,
361/679.3, 679.55, 679.56
See application file for complete search history.

D622,514 S * 8/2010 Park et al. D6/308
D625,306 S * 10/2010 Miyawaki D14/341
D625,307 S * 10/2010 Cheng D14/341
D627,777 S * 11/2010 Akana et al. D14/341
D635,784 S * 4/2011 Li et al. D6/308
D636,391 S * 4/2011 Shen et al. D14/341
D636,769 S * 4/2011 Wood et al. D14/341
D638,412 S * 5/2011 Lee D14/250
D639,805 S * 6/2011 Song et al. D14/341
D641,018 S * 7/2011 Lee et al. D14/341
D645,435 S * 9/2011 Kim et al. D14/138 G
D645,833 S * 9/2011 Seflic et al. D14/138 G
D646,902 S * 10/2011 Woo et al. D6/308
D650,381 S * 12/2011 Park et al. D14/341
D652,008 S * 1/2012 Kim et al. D14/138 G
D652,418 S * 1/2012 Rashid et al. D14/341
D654,074 S * 2/2012 Wood et al. D14/341
D654,460 S * 2/2012 Kim et al. D14/138 G
D654,893 S * 2/2012 Jung D14/138 G
D656,118 S * 3/2012 Kim et al. D14/138 G
D656,918 S * 4/2012 Kim et al. D14/138 G
D657,764 S * 4/2012 Hong D14/138 G
D663,298 S * 7/2012 Song et al. D14/341
D663,711 S * 7/2012 Lee et al. D14/138 G
D664,954 S * 8/2012 Kim et al. D14/341
D666,198 S * 8/2012 Van Den Nieuwenhuizen
et al. D14/341

(Continued)

Primary Examiner — Barbara Fox
(74) Attorney, Agent, or Firm — Altis Law Group, Inc.

(56) **References Cited**

U.S. PATENT DOCUMENTS

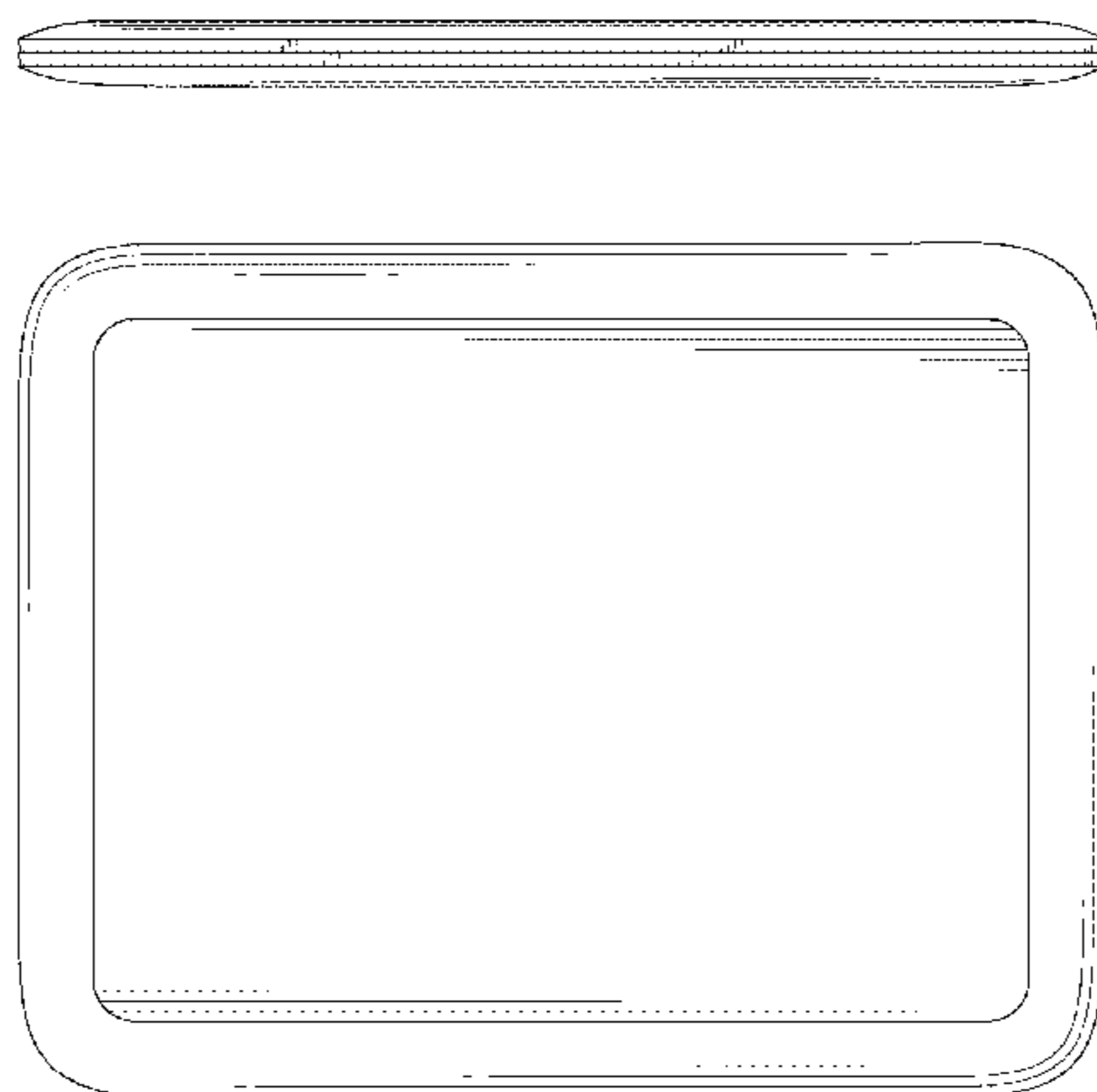
D306,583 S * 3/1990 Krolopp et al. D14/137
D333,574 S * 3/1993 Ackeret D6/300
D337,569 S * 7/1993 Kando D14/341
D550,270 S * 9/2007 Astill D16/241
D557,259 S * 12/2007 Hirsch D14/217
D560,227 S * 1/2008 Bennett et al. D14/496
D579,930 S * 11/2008 Maskatia D14/341
D580,431 S * 11/2008 Morita D14/341
D584,738 S * 1/2009 Kim et al. D14/496
D601,353 S * 10/2009 Sadler et al. D6/308
D602,014 S * 10/2009 Andre et al. D14/341
D602,487 S * 10/2009 Maskatia D14/341
D611,500 S * 3/2010 Byle et al. D14/496
D617,793 S * 6/2010 Chiang et al. D14/341

(57) **CLAIM**
The ornamental design for a tablet computer, as shown and described.

DESCRIPTION

FIG. 1 is a perspective view of a tablet computer showing my new design;
FIG. 2 is a front elevational view thereof;
FIG. 3 is a rear elevational view thereof;
FIG. 4 is a left side elevational view thereof;
FIG. 5 is a right side elevational view thereof;
FIG. 6 is a top plan view thereof; and,
FIG. 7 is a bottom plan view thereof.

1 Claim, 7 Drawing Sheets



US D673,950 S

Page 2

U.S. PATENT DOCUMENTS													
D667,006	S	*	9/2012	Van Den Nieuwenhuizen et al.	D14/341	D667,398	S	*	9/2012	Koh	D14/341	
D667,396	S	*	9/2012	Koh	D14/341	D667,399	S	*	9/2012	Koh	D14/341
D667,397	S	*	9/2012	Koh	D14/341	8,259,083	B2	*	9/2012	Kim	345/173

* cited by examiner

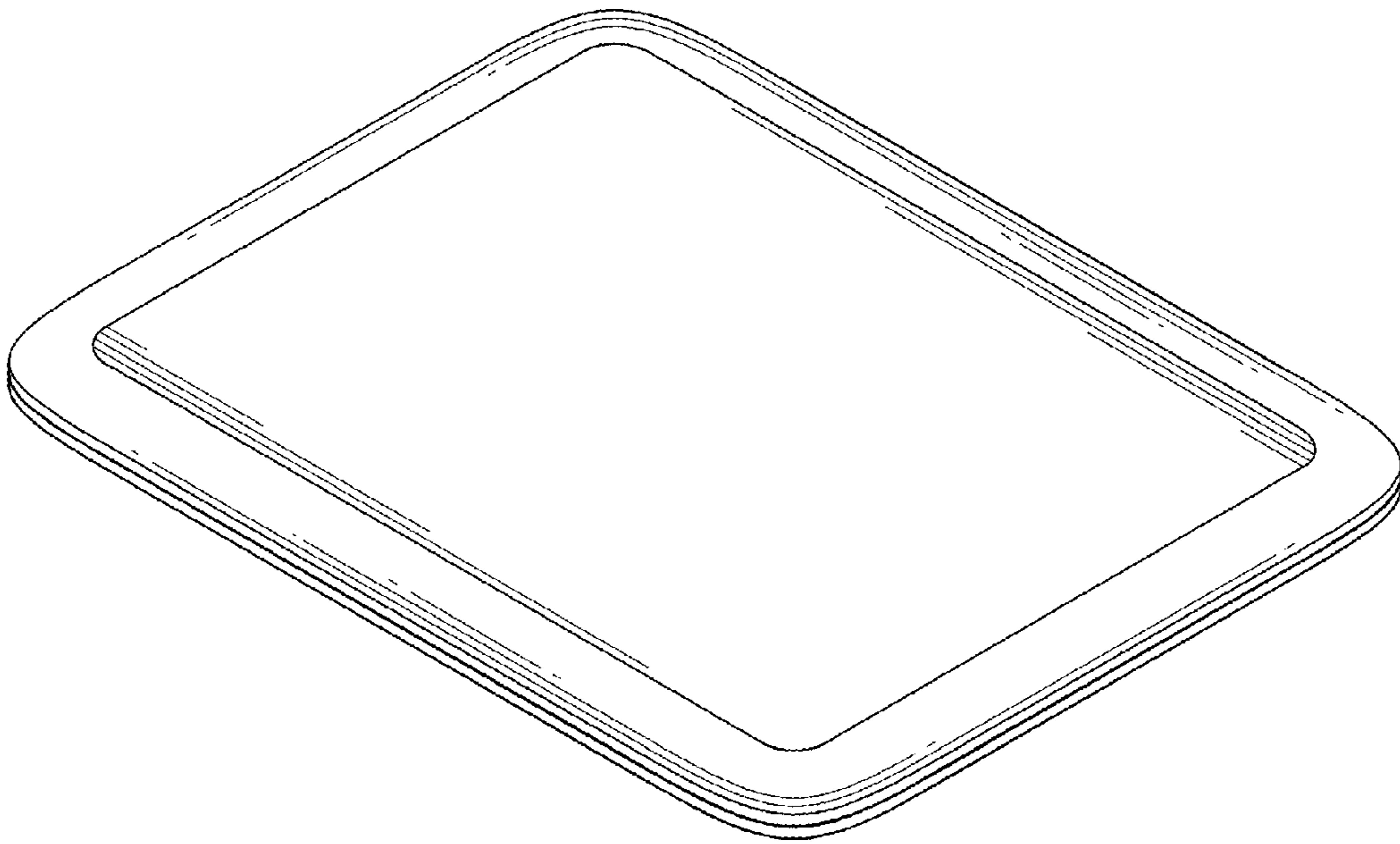


FIG. 1



FIG. 2

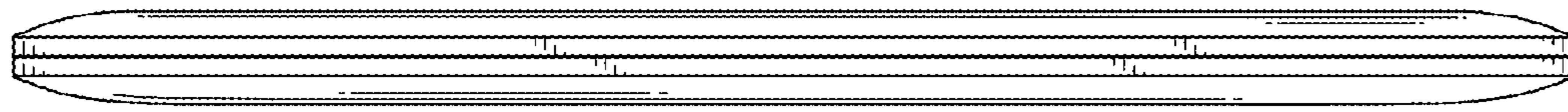


FIG. 3

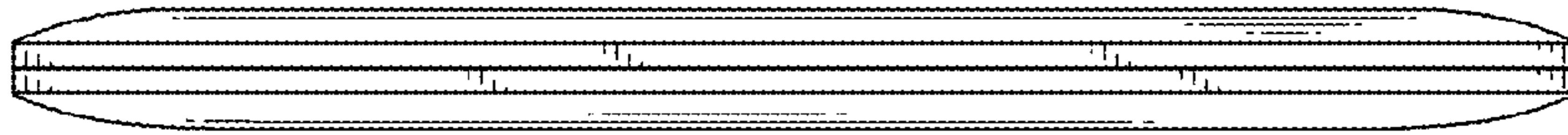


FIG. 4



FIG. 5



FIG. 6

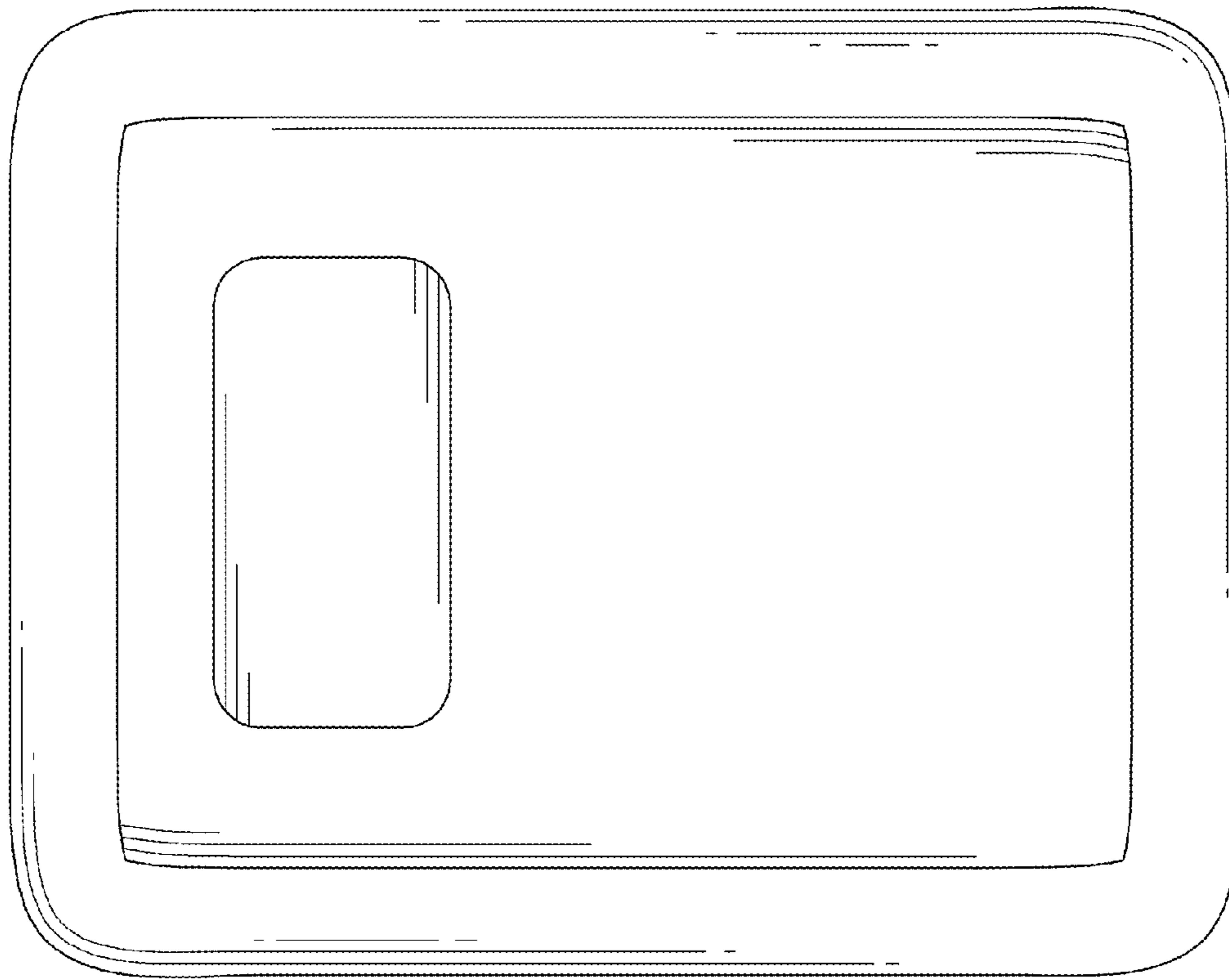


FIG. 7