



US00D673944S

(12) **United States Design Patent**  
**Huertas Moya**

(10) **Patent No.:** **US D673,944 S**

(45) **Date of Patent:** **\*\* Jan. 8, 2013**

(54) **CONTROL DESK**

(75) Inventor: **Jose Miguel Huertas Moya**, Madrid (ES)

(73) Assignee: **Indra Sistemas, S.A.**, Madrid (ES)

(\*\*) Term: **14 Years**

(21) Appl. No.: **29/374,481**

(22) Filed: **Aug. 18, 2011**

(30) **Foreign Application Priority Data**

Feb. 22, 2011 (WO) ..... 588711101

(51) **LOC (9) Cl.** ..... **14-02**

(52) **U.S. Cl.** ..... **D14/306**

(58) **Field of Classification Search** ..... D14/302-308,  
D14/130, 140, 126, 127; D6/396, 397, 422,  
D6/425; D13/163; 312/198; 108/50.01,  
108/71; 361/679.08

See application file for complete search history.

(56) **References Cited**

**U.S. PATENT DOCUMENTS**

D212,756 S \* 11/1968 Davis ..... D14/306  
4,113,331 A \* 9/1978 Derdzinski et al. .... 312/198

D252,394 S \* 7/1979 Schick ..... D14/306  
D297,236 S \* 8/1988 Tiffin ..... D14/127  
5,416,666 A \* 5/1995 Maguire, Jr. .... 361/679.08  
D401,227 S \* 11/1998 Catta ..... D14/305  
D436,354 S \* 1/2001 Kodimer ..... D14/306  
D610,105 S \* 2/2010 Graham et al. .... D14/127

\* cited by examiner

*Primary Examiner* — Freda S Nunn

(74) *Attorney, Agent, or Firm* — Morrison & Foerster LLP

(57) **CLAIM**

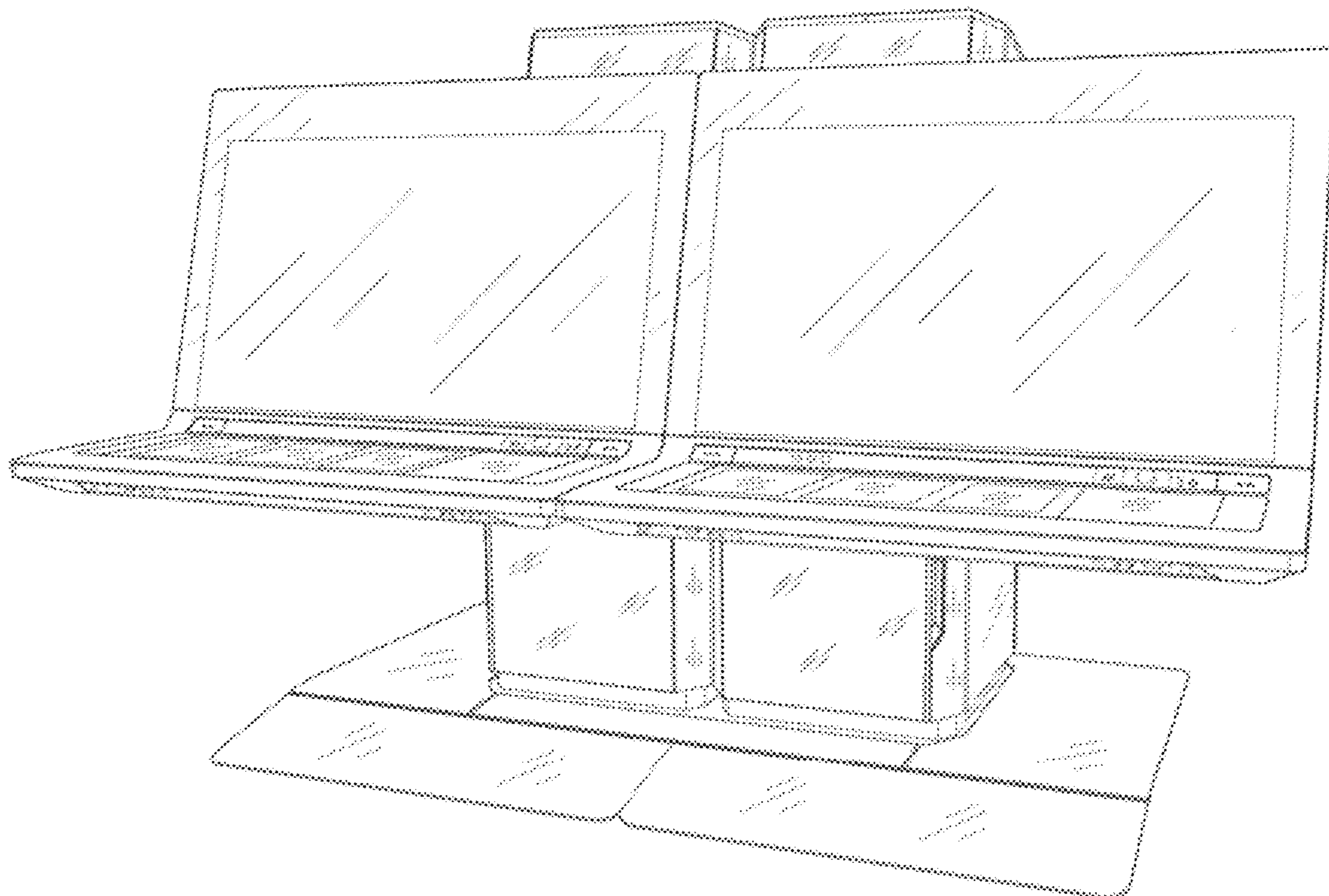
The ornamental design for control desk, as shown and described.

**DESCRIPTION**

FIG. 1 is a front perspective view of a control desk;  
FIG. 2 is a back perspective view of the control desk;  
FIG. 3 is a first side view of the control desk;  
FIG. 4 is a front view of the control desk;  
FIG. 5 is a back view of the control desk;  
FIG. 6 is a second side view, opposite the first side view, of the control desk;  
FIG. 7 is a top view of the control desk; and,  
FIG. 8 is a bottom view of the control desk.

Broken lines shown in the drawings illustrate portions of the control desk, and from no part of the claimed design.

**1 Claim, 8 Drawing Sheets**



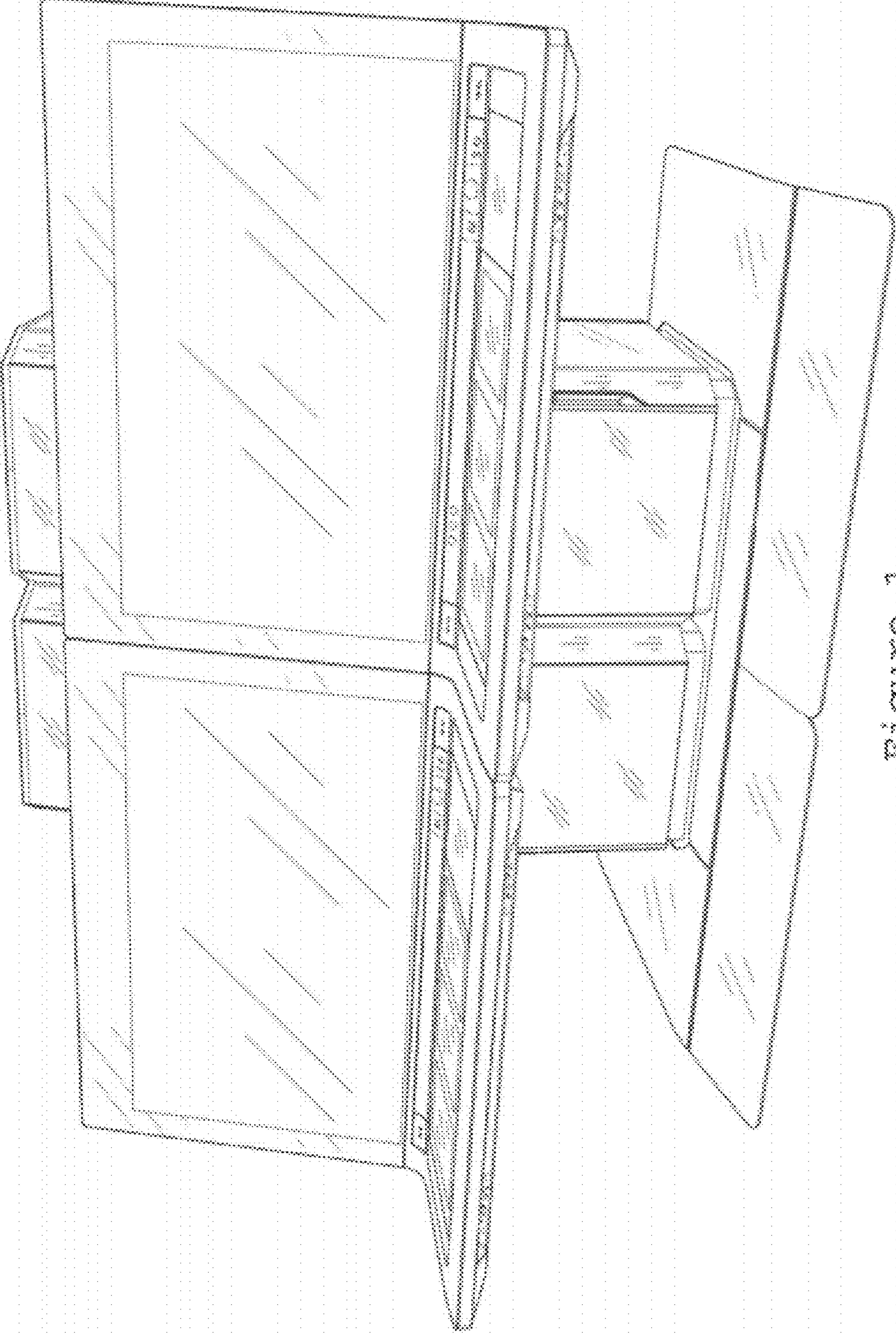


Figure 1

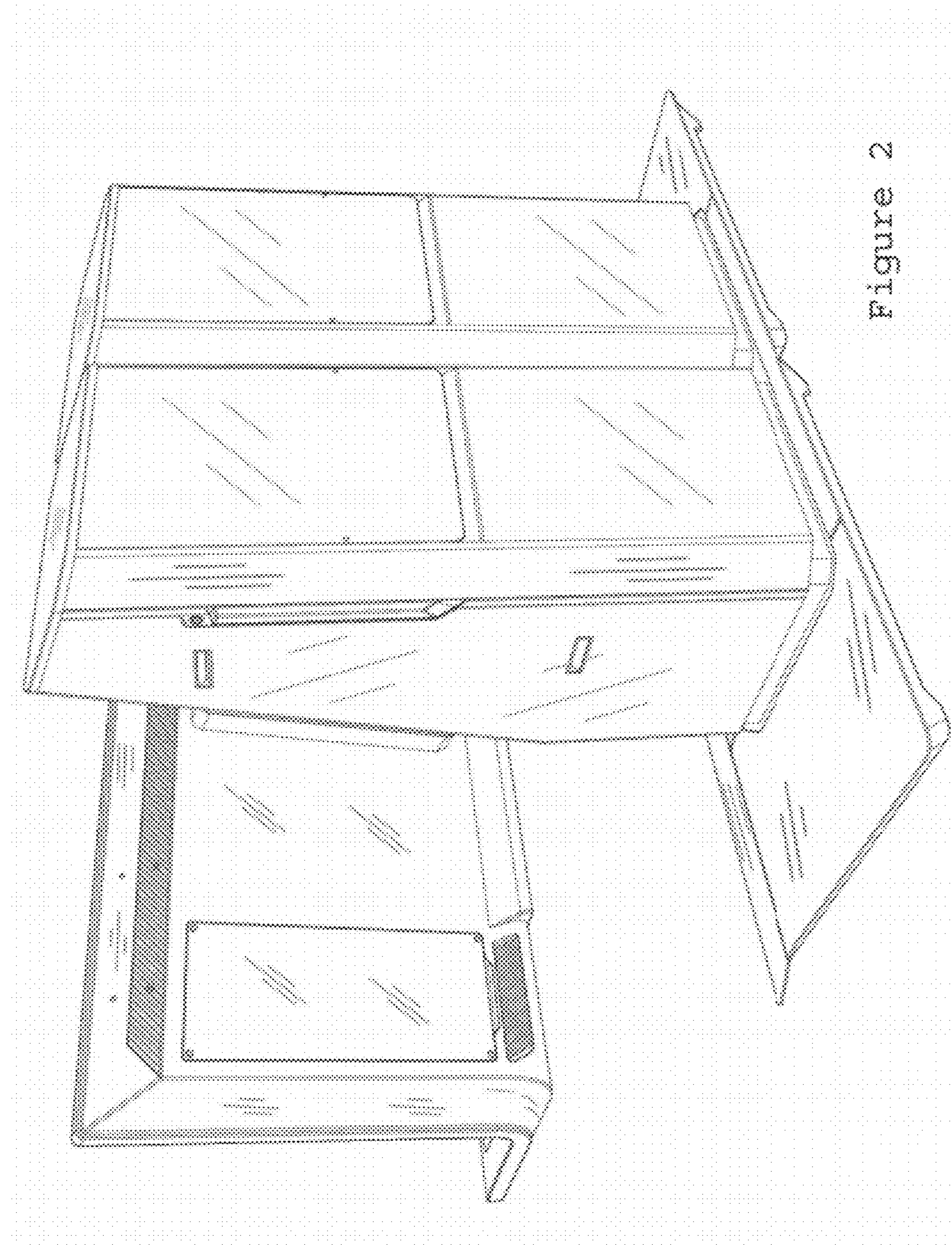


Figure 2

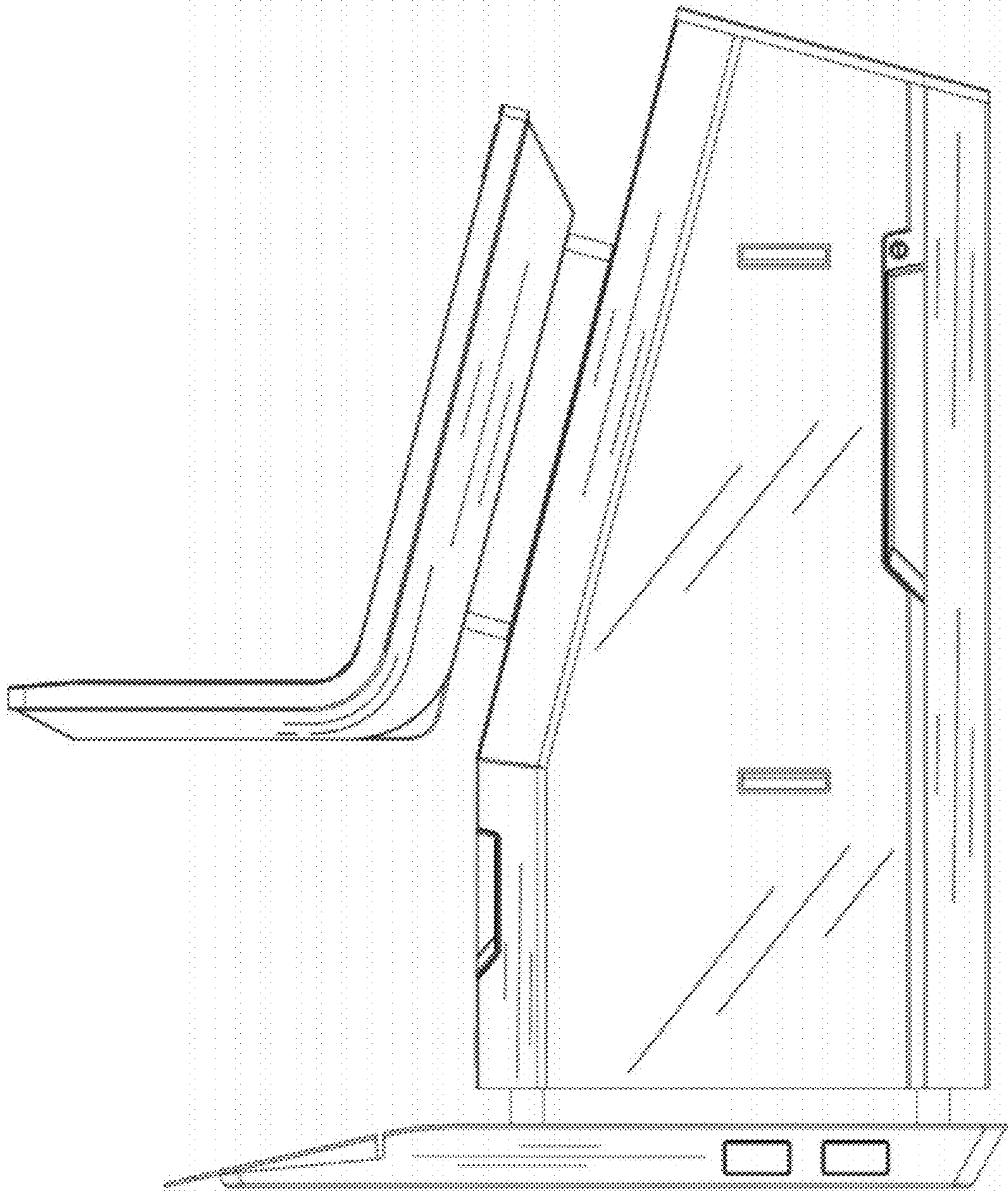


Figure 3

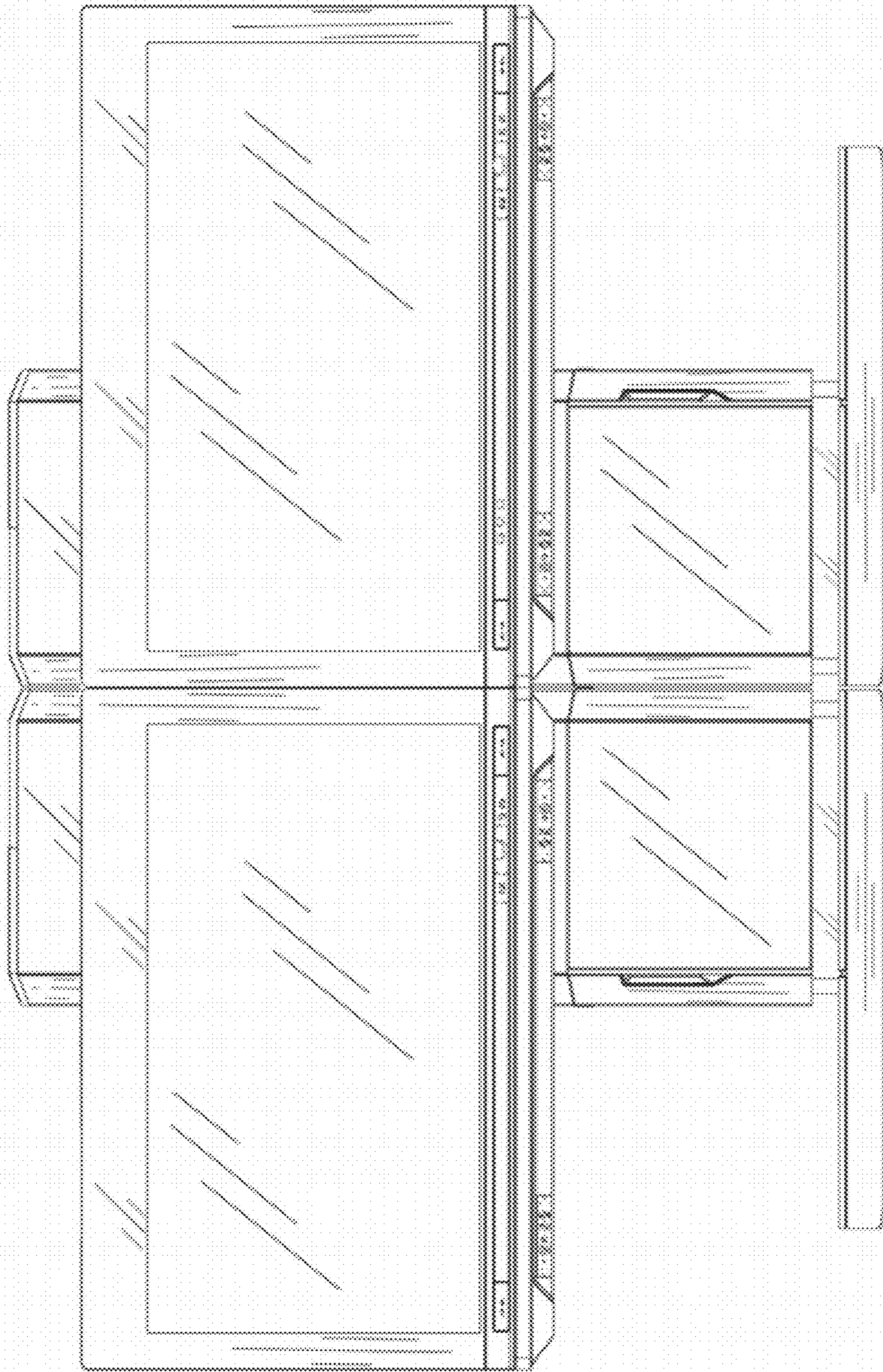


Figure 4

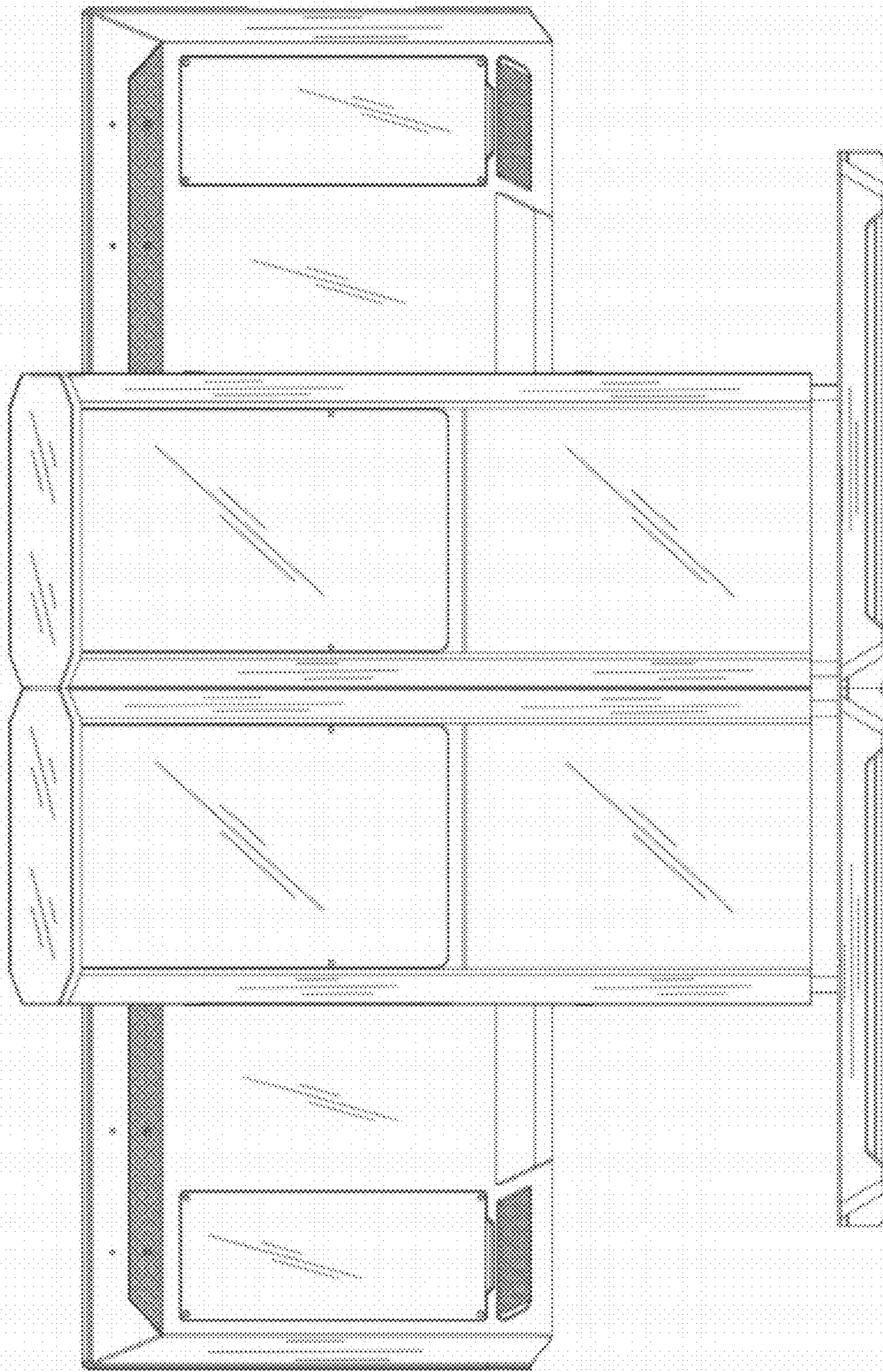


Figure 5

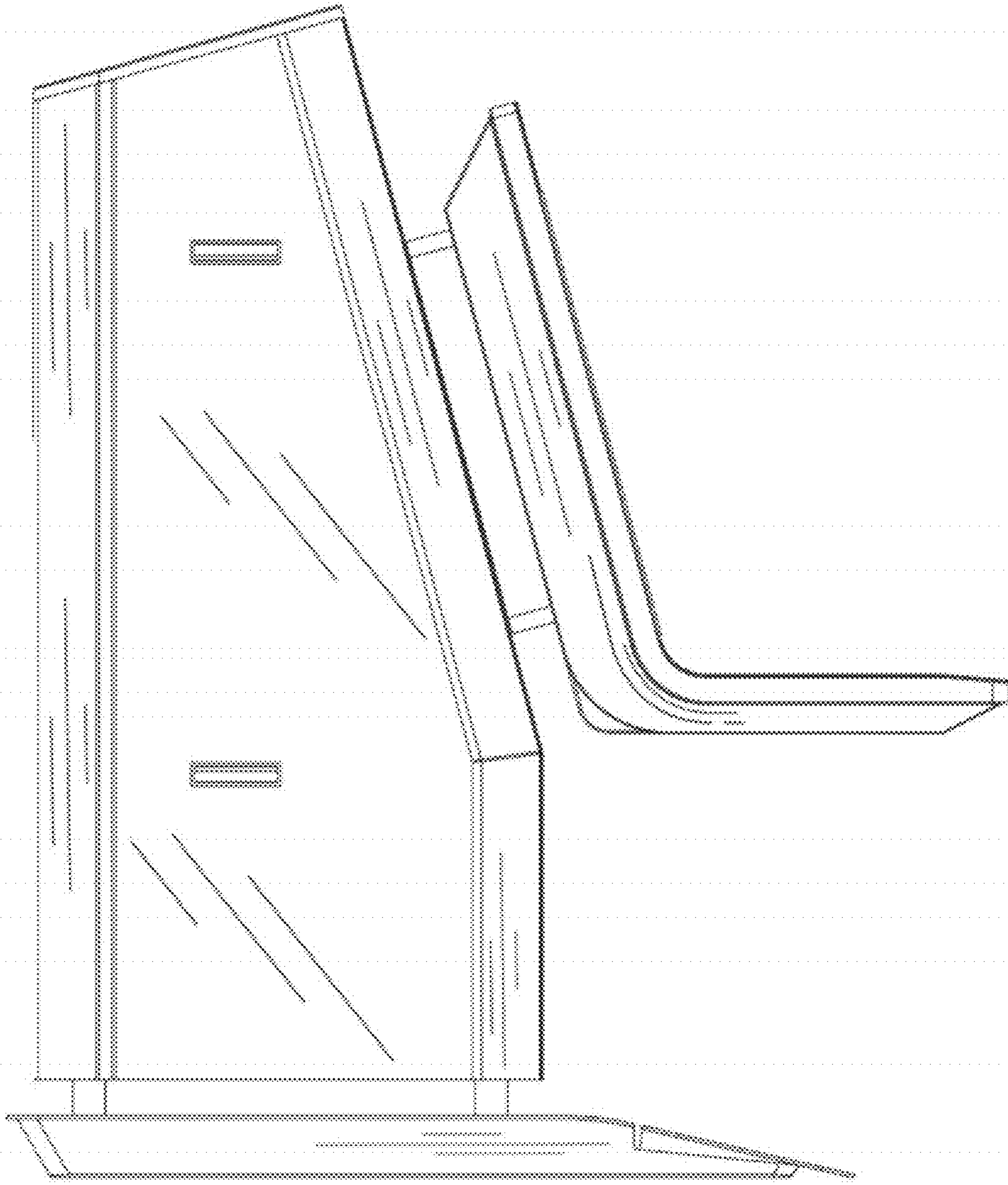


Figure 6

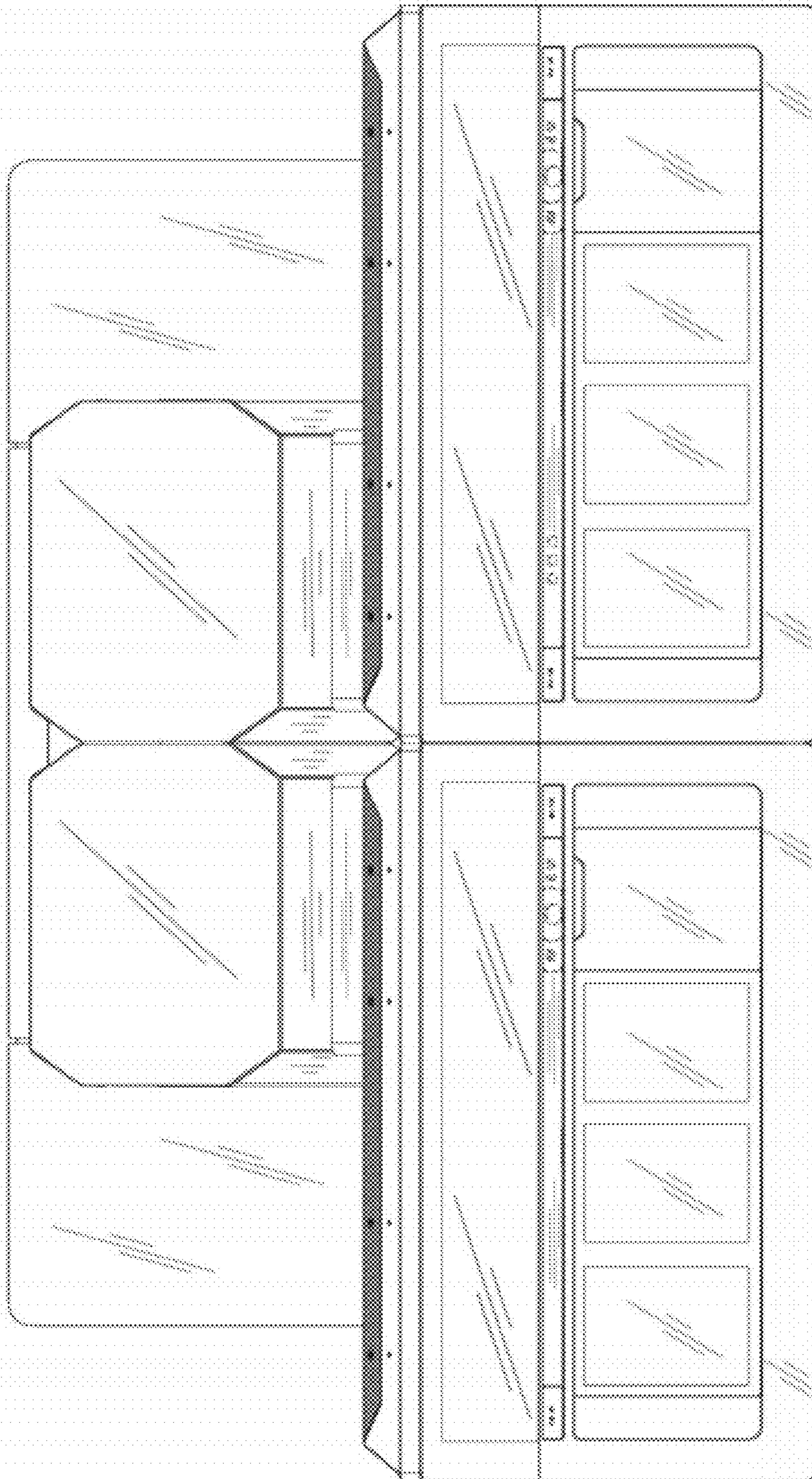


Figure 7



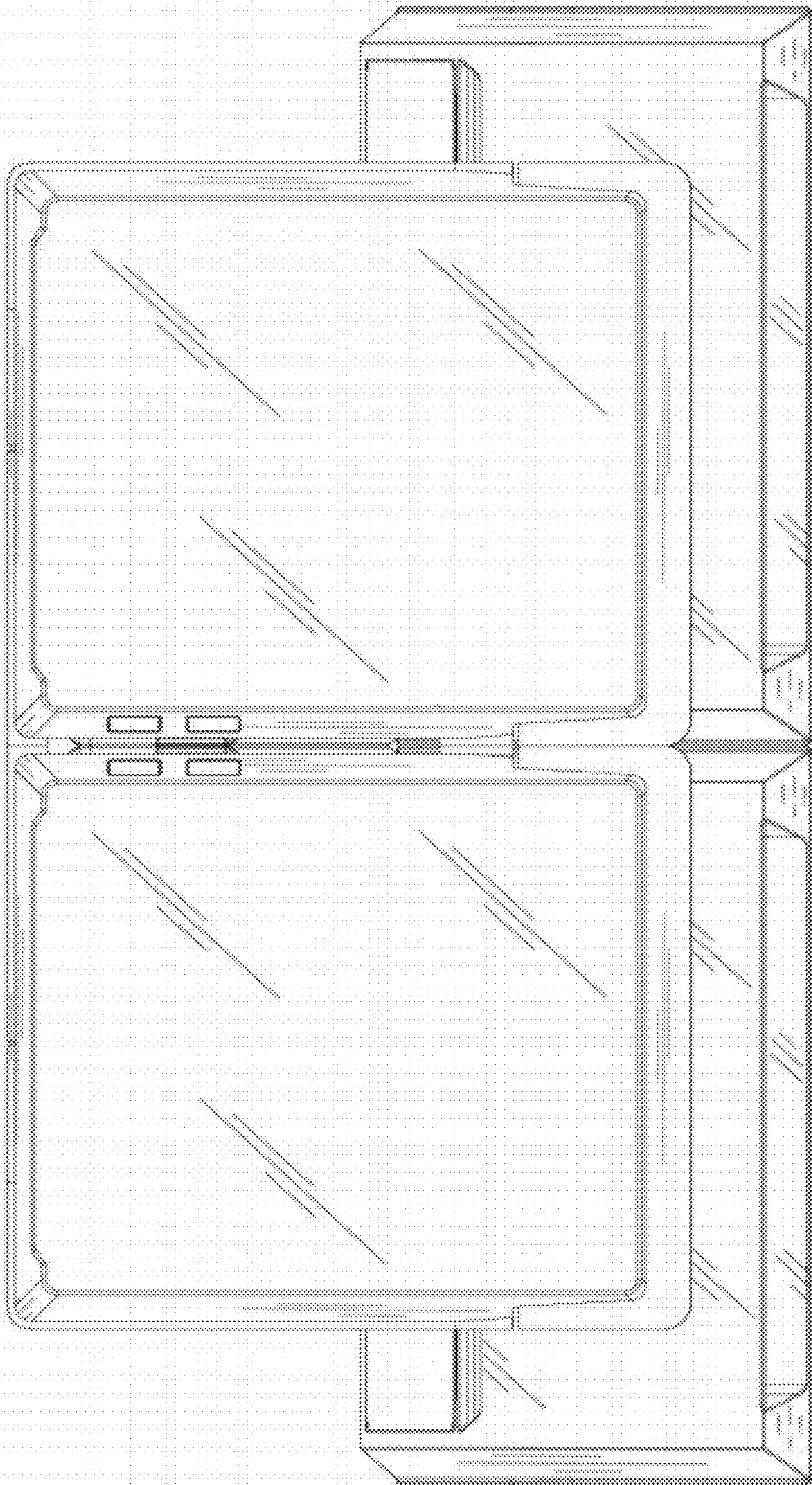


Figure 8