



US00D673943S

(12) **United States Design Patent**
Huertas Moya

(10) **Patent No.:** **US D673,943 S**
(45) **Date of Patent:** **** Jan. 8, 2013**

(54) **CONTROL DESK**

(75) Inventor: **José Miguel Huertas Moya**, Madrid (ES)

(73) Assignee: **Indra Sistemas, S.A.**, Madrid (ES)

(**) Term: **14 Years**

(21) Appl. No.: **29/374,482**

(22) Filed: **Aug. 18, 2011**

(30) **Foreign Application Priority Data**

Feb. 22, 2011 (WO) 588711101

(51) **LOC (9) Cl.** **14-02**

(52) **U.S. Cl.** **D14/305**

(58) **Field of Classification Search** D14/302-308,
D14/130, 140, 126, 127; D6/396, 397, 422,
D6/425; D13/163; 312/198; 108/50.01,
108/71; 361/679.08

See application file for complete search history.

(56) **References Cited**

U.S. PATENT DOCUMENTS

D212,756 S * 11/1968 Davis D14/306
4,113,331 A * 9/1978 Derdzinski et al. 312/198
D252,394 S * 7/1979 Schick D14/306

D297,236 S * 8/1988 Tiffin D14/127
5,416,666 A * 5/1995 Maguire, Jr. 361/679.08
D401,227 S * 11/1998 Catta D14/305
D436,354 S * 1/2001 Kodimer D14/306
D610,105 S * 2/2010 Graham et al. D14/127

* cited by examiner

Primary Examiner — Freda S Nunn

(74) *Attorney, Agent, or Firm* — Morrison & Foerster LLP

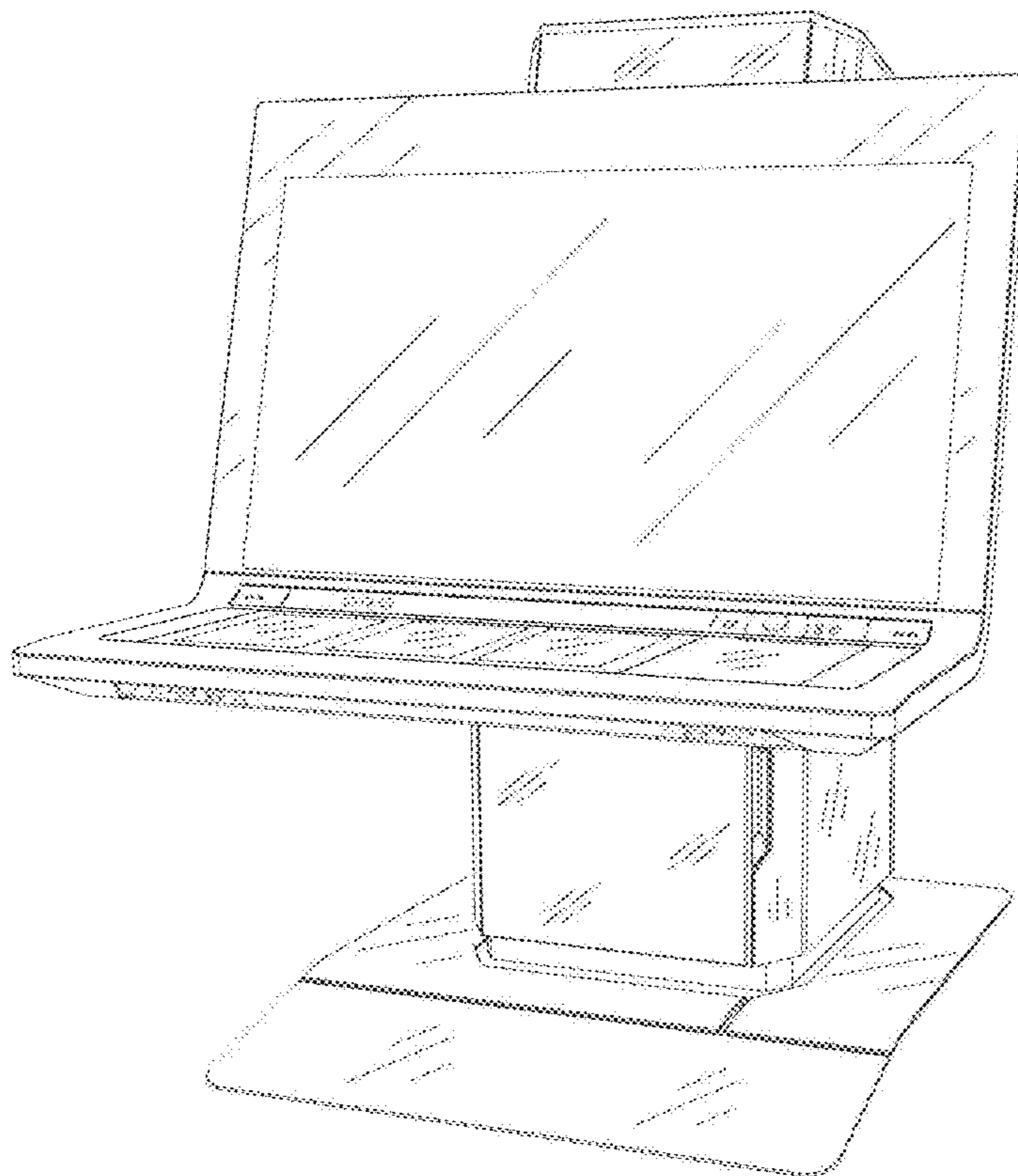
(57) **CLAIM**

The ornamental design for a control desk, as shown and described.

DESCRIPTION

FIG. 1 is a front perspective view of a control desk;
FIG. 2 is a back perspective view of the control desk;
FIG. 3 is a first side view of the control desk;
FIG. 4 is a front view of the control desk;
FIG. 5 is a back view of the control desk;
FIG. 6 is a second side view, opposite the first side view, of the control desk;
FIG. 4 is a front view of the control desk;
FIG. 7 is a top view of the control desk; and,
FIG. 8 is a bottom view of the control desk.
Broken lines shown in the drawings illustrate portions of the control desk, and from no part of the claimed design.

1 Claim, 8 Drawing Sheets



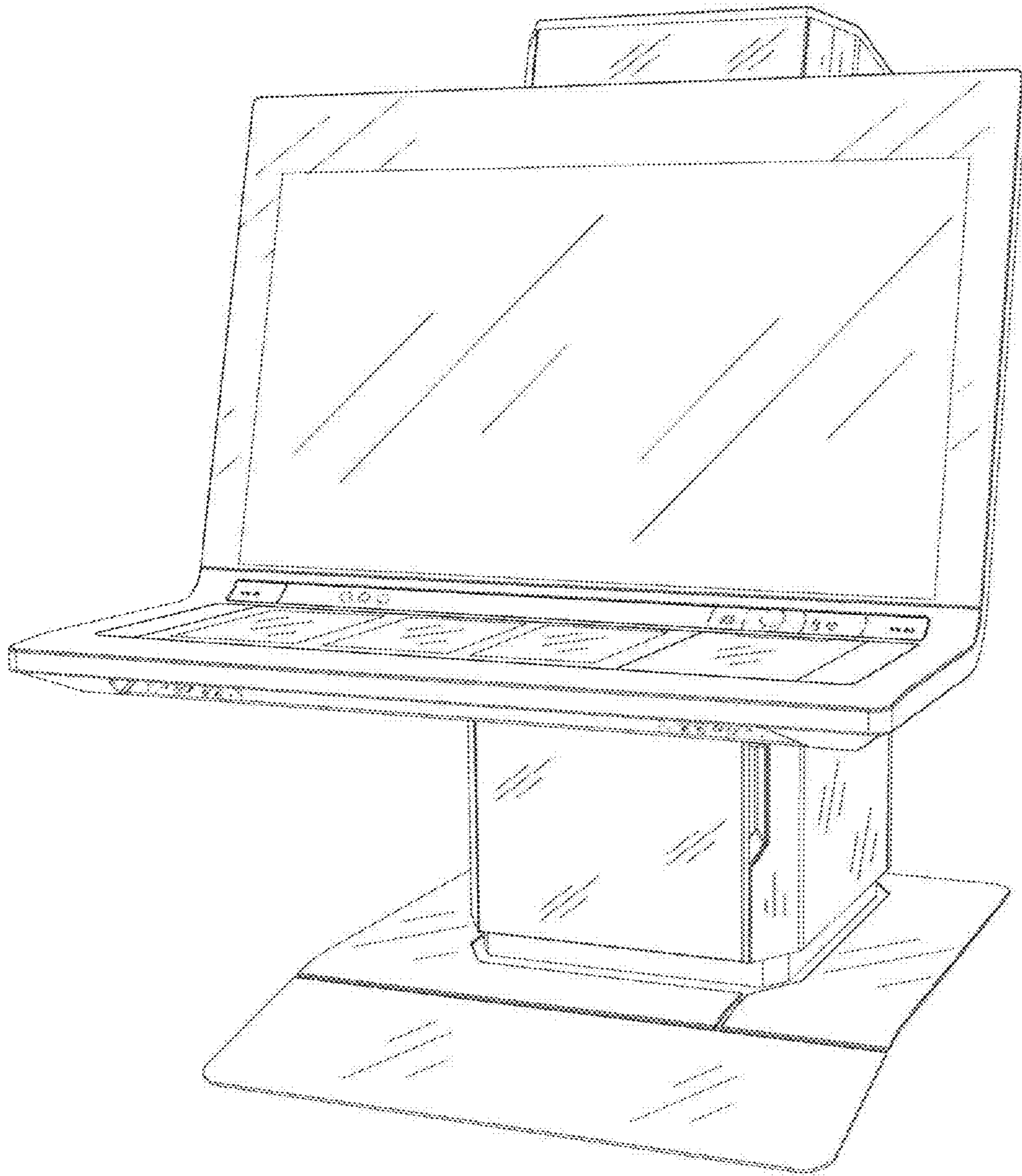


Figure 1

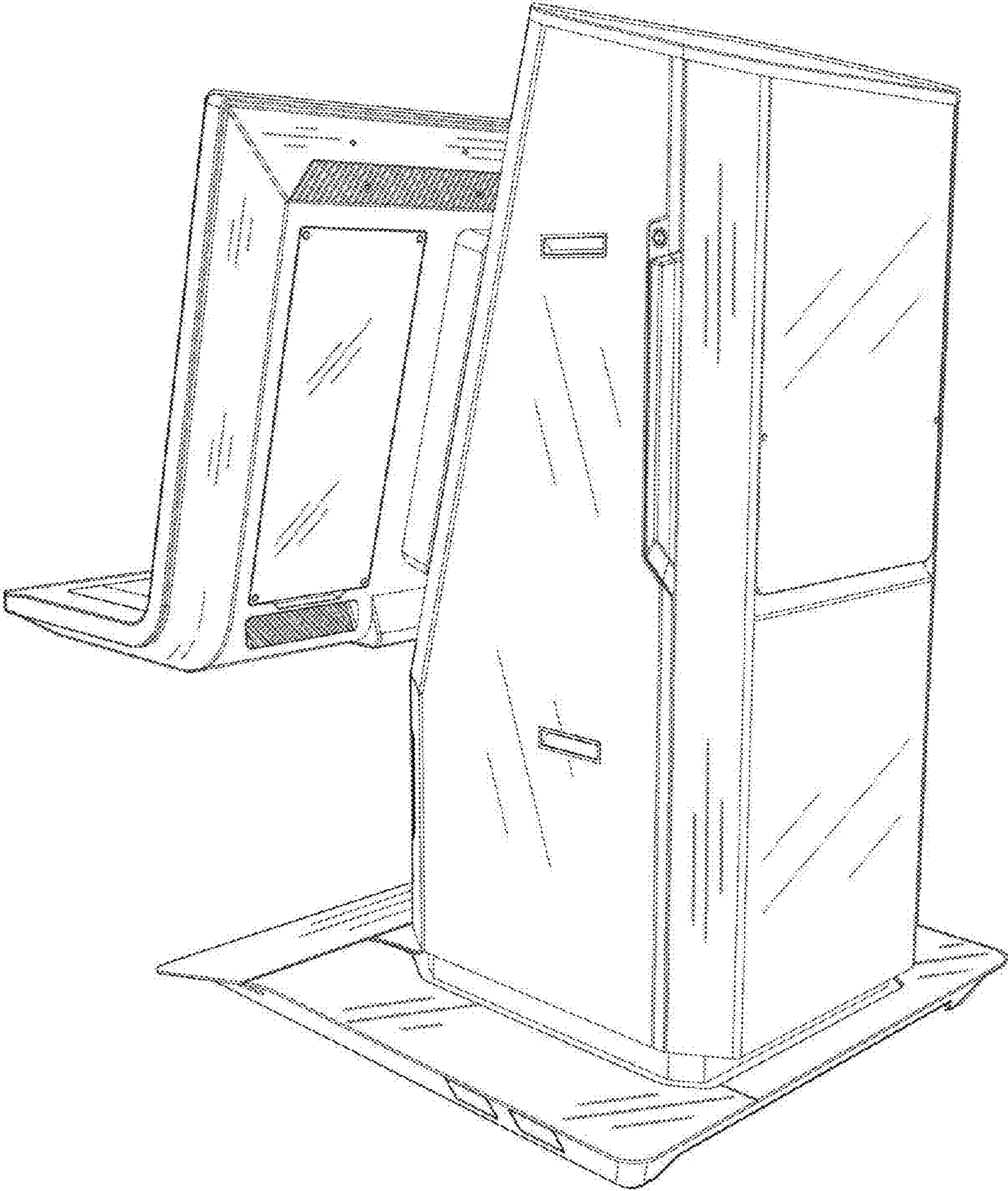


Figure 2

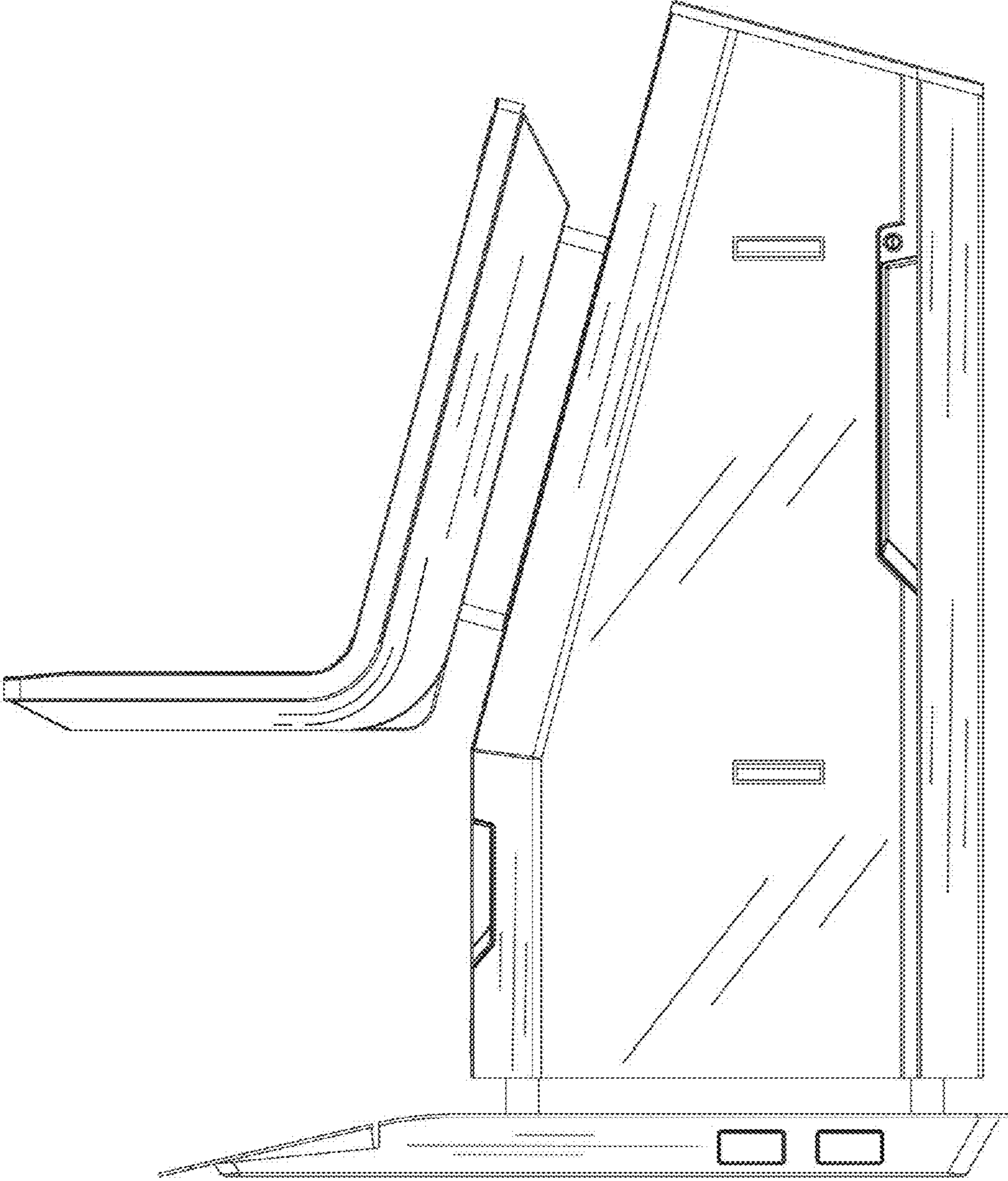


Figure 3

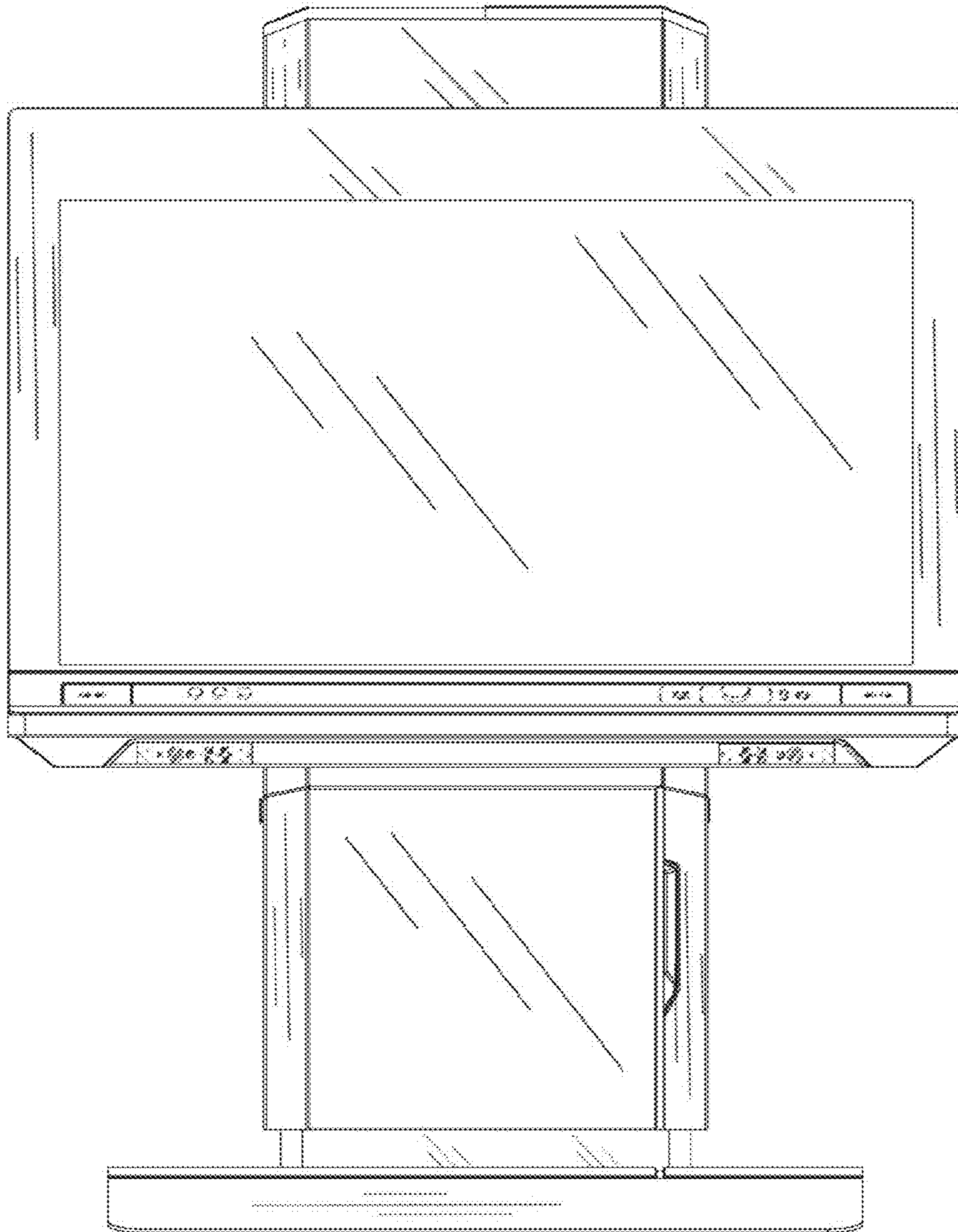


Figure 4

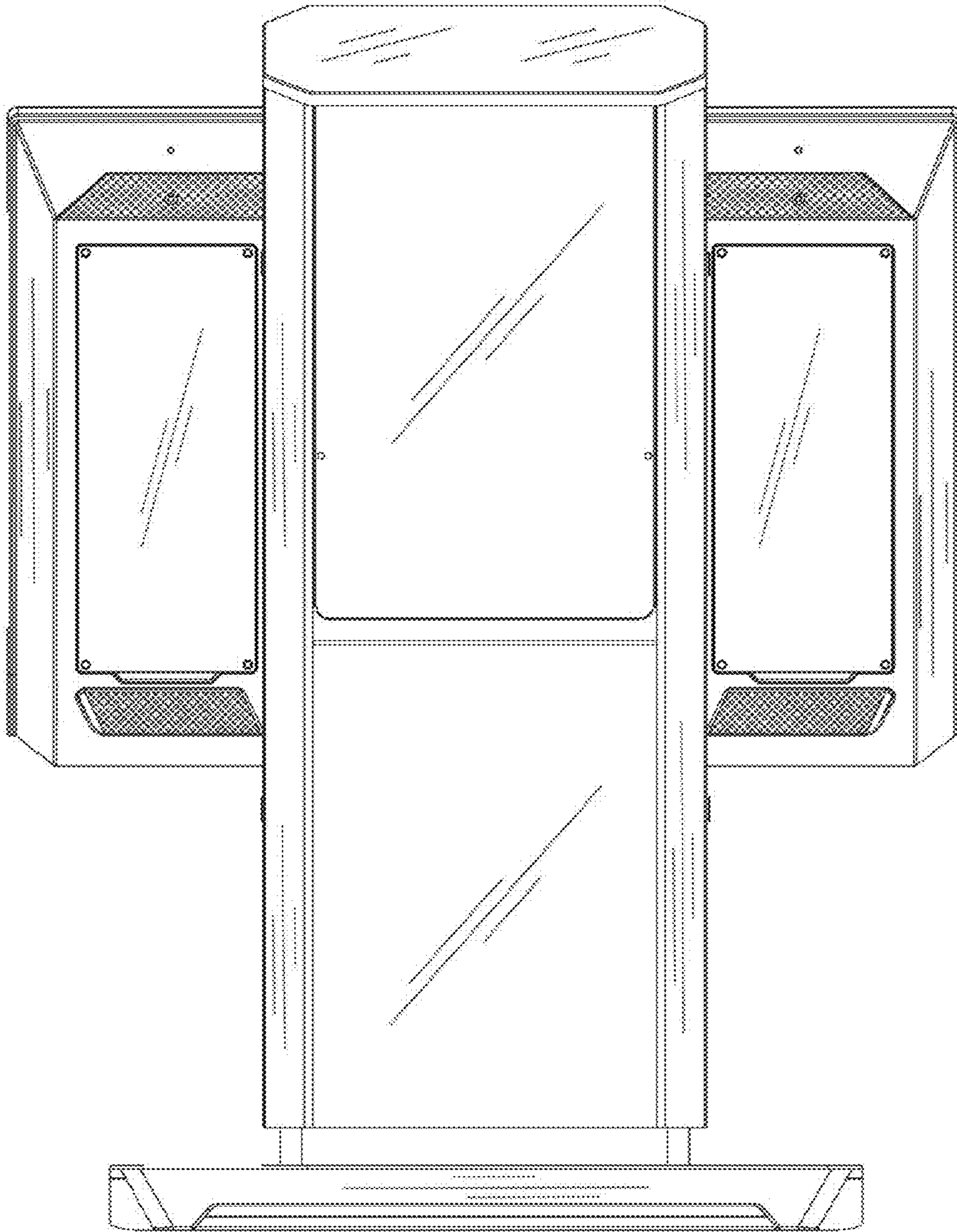


Figure 5

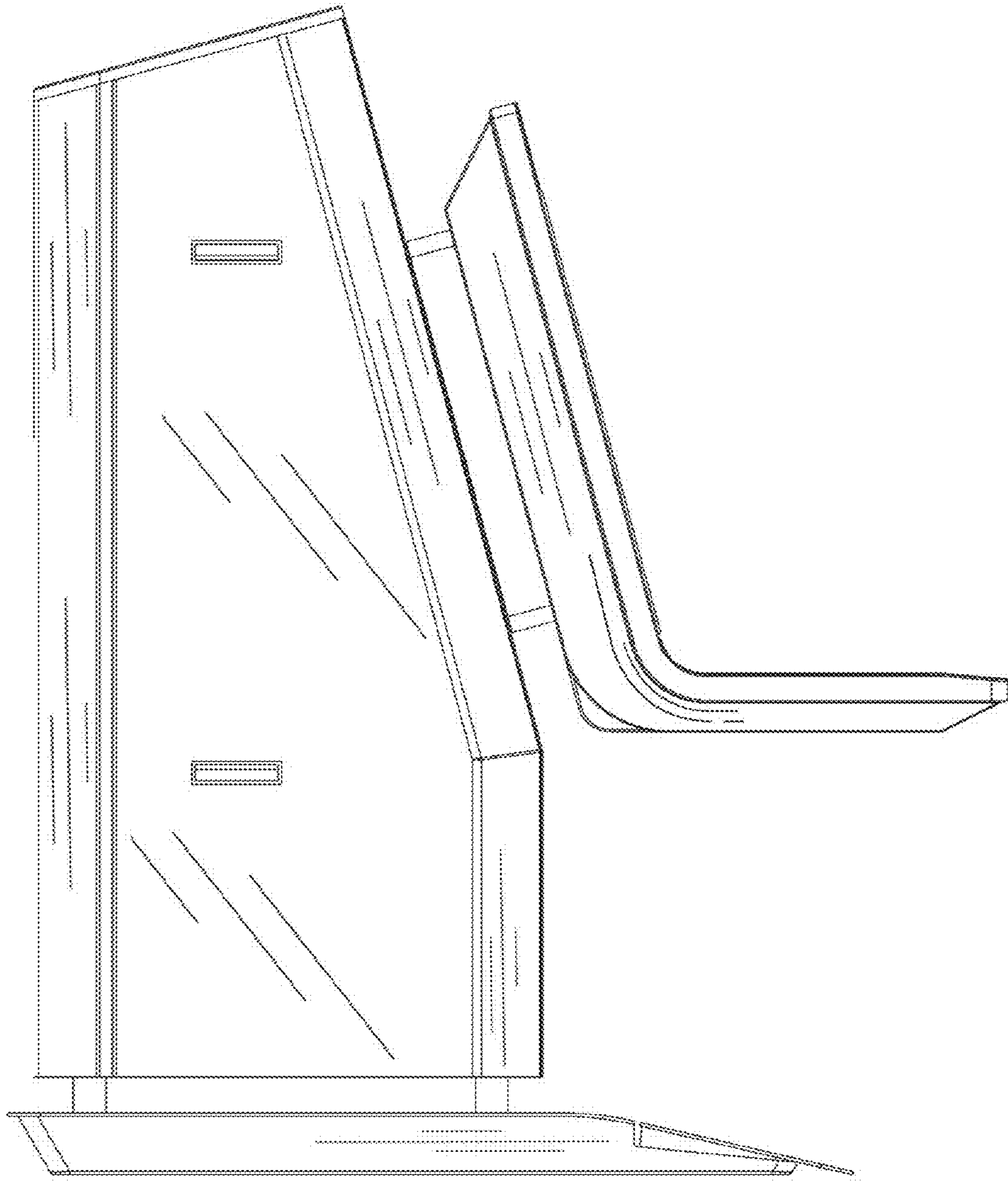


Figure 6

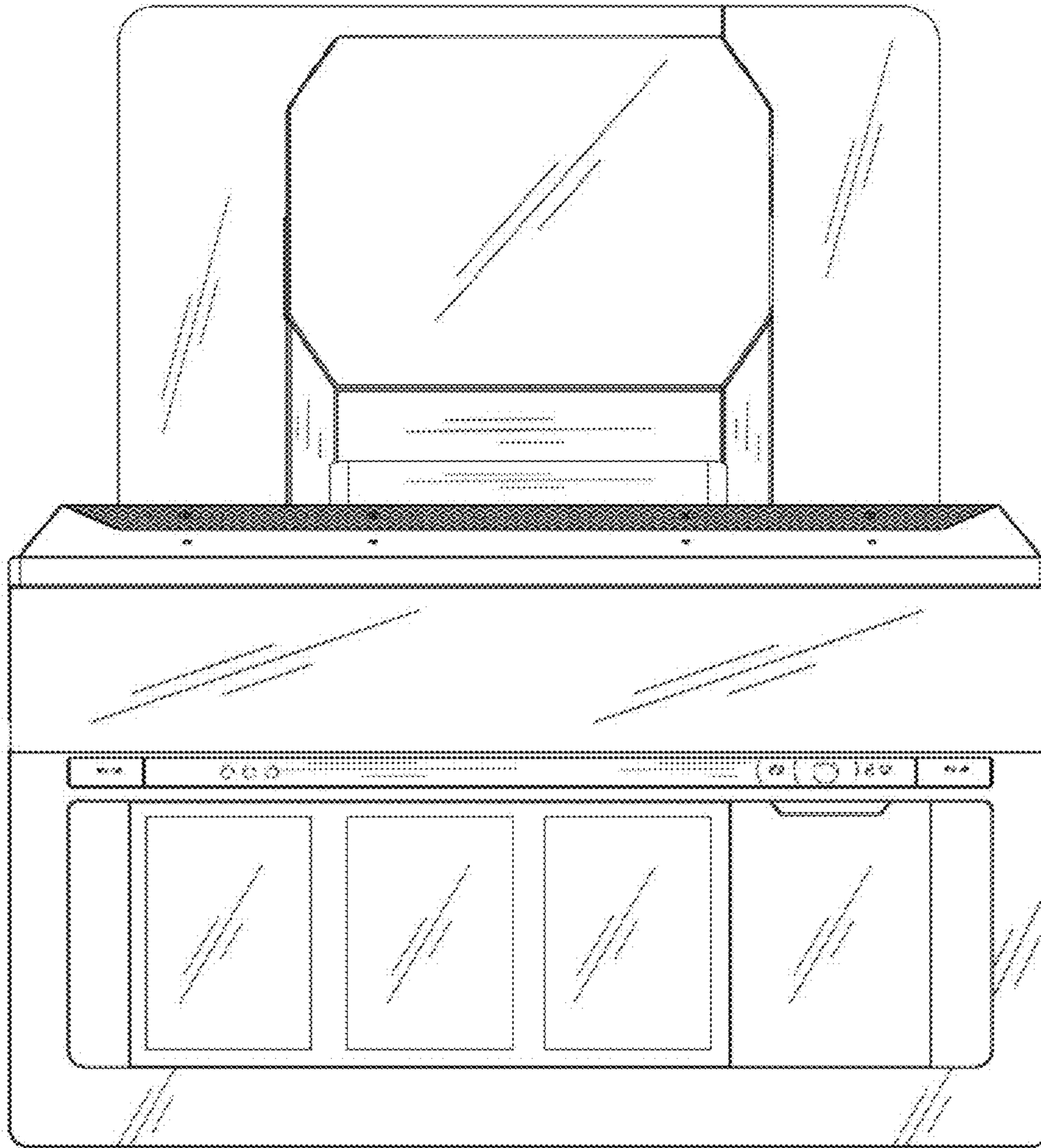


Figure 7

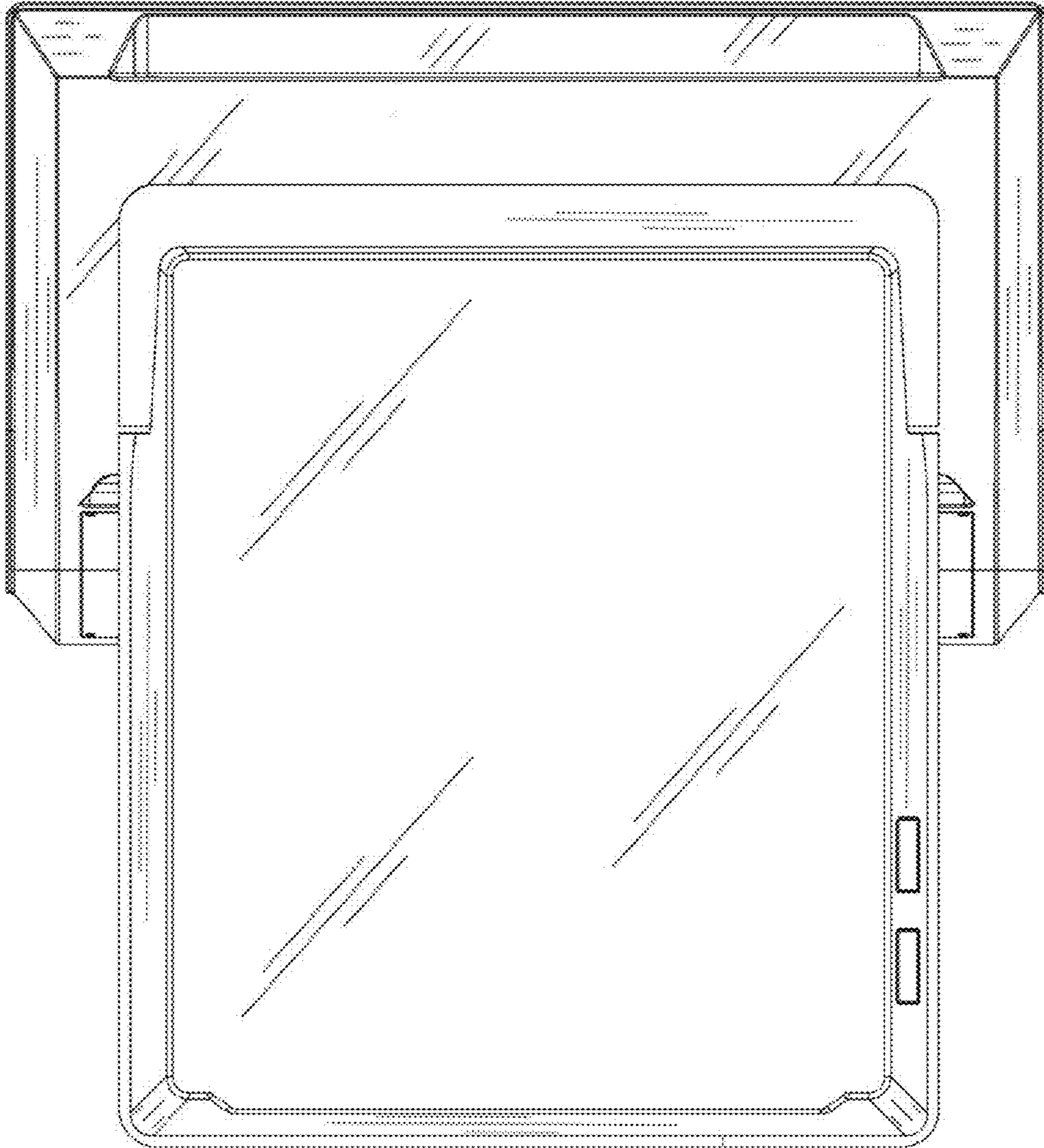


Figure 8