



US00D673936S

(12) **United States Design Patent**
Michie et al.

(10) **Patent No.:** **US D673,936 S**
(45) **Date of Patent:** **** Jan. 8, 2013**

(54) **CASE**

(75) Inventors: **Jane Michie**, Wellington, CO (US);
Cameron Magness, Fort Collins, CO (US)

(73) Assignee: **Otter Products, LLC**, Fort Collins, CO (US)

(**) Term: **14 Years**

(21) Appl. No.: **29/375,657**

(22) Filed: **Sep. 24, 2010**

(51) **LOC (9) Cl.** **14-30**

(52) **U.S. Cl.** **D14/250**

(58) **Field of Classification Search** D14/250–253,
D14/440, 203.1–203.7, 217, 496, 248, 137–138 AA,
D14/138 G, 447; D3/201, 218, 269, 301,
D3/273, 303, 103, 247; D13/103, 107, 108,
D13/119; 220/4.02; 248/309.1, 688, 459;
361/679.56, 679.55, 679.01; 379/426, 433.11,
379/455; 455/575.1, 575.8; 190/100; 206/305,
206/320; D6/310, 311, 300

See application file for complete search history.

(56) **References Cited**

U.S. PATENT DOCUMENTS

D479,217 S * 9/2003 Ho-Cheun et al. D14/138 AA
D588,127 S * 3/2009 Rak et al. D14/346
D609,463 S * 2/2010 Bullen D3/218
D618,645 S * 6/2010 Ren et al. D14/138 AA
D636,386 S * 4/2011 Richardson et al. D14/250
D643,028 S * 8/2011 Richardson et al. D14/250

D658,644 S * 5/2012 Melanson et al. D14/250
D662,924 S * 7/2012 Melanson et al. D14/250
D662,927 S * 7/2012 Fahrendorff et al. D14/250

OTHER PUBLICATIONS

HTC Hero Defender Series Case [online] [retrieved on Jul. 25, 2012]
Retrieved from Otterbox.com <<http://www.otterbox.com/HTC-Hero-Defender-Series-Case/HTC2-HERO1,default,pd.html>>.*
Otterbox Defender case for Sprint HTC Hero HTC2HERO120C5TES- Jul. 23, 2010. [online] [retrieved on Jul. 25, 2012] Retrieved from [www.youtube.com](http://www.youtube.com/watch?v=aHLKAvp9YrI) <<http://www.youtube.com/watch?v=aHLKAvp9YrI>>.*

* cited by examiner

Primary Examiner — Robert M Spear

Assistant Examiner — Vy Koenig

(57) **CLAIM**

The ornamental design for a case, as shown and described.

DESCRIPTION

FIG. 1 is a front isometric view of a case showing our new design;

FIG. 2 is a rear isometric view thereof;

FIG. 3 is a front view thereof;

FIG. 4 is a rear view thereof;

FIG. 5 is a left view thereof;

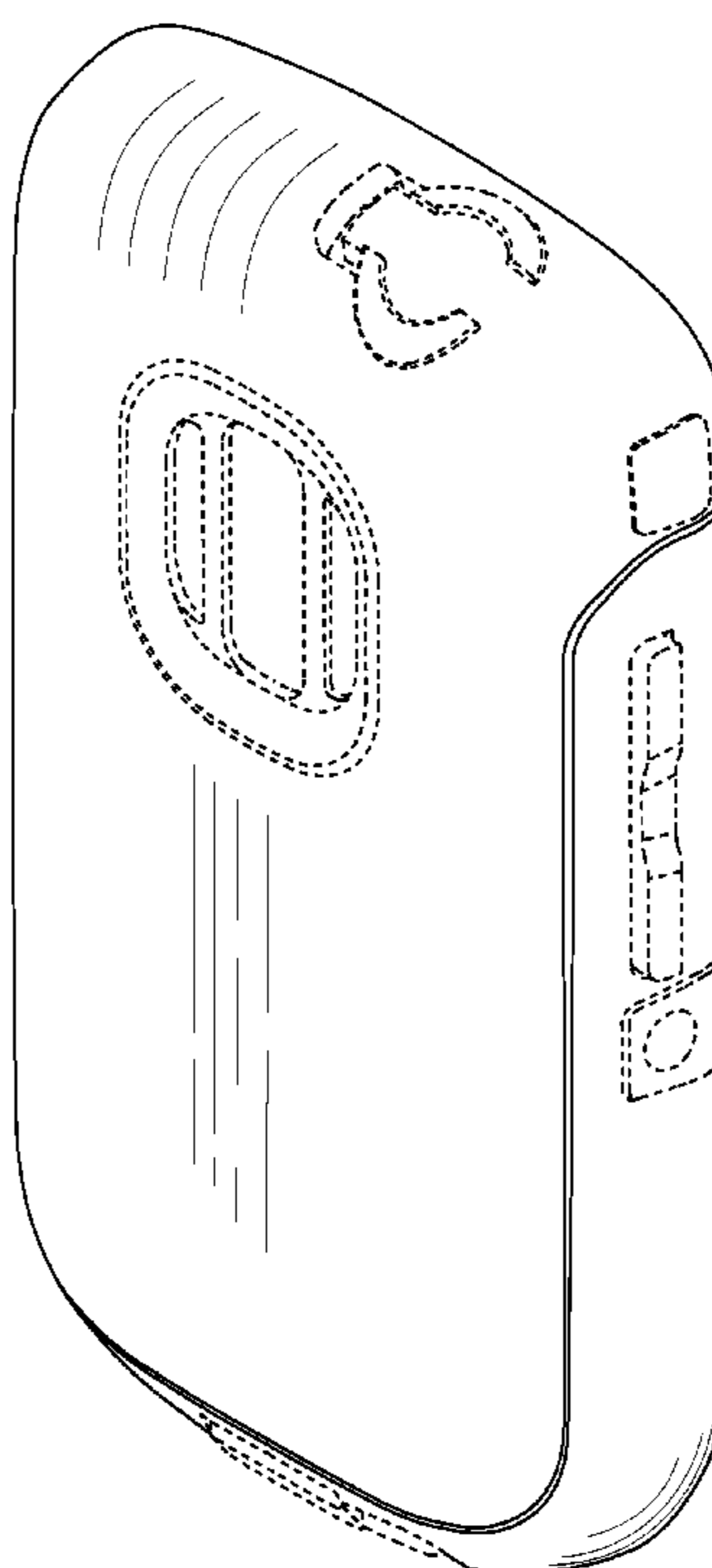
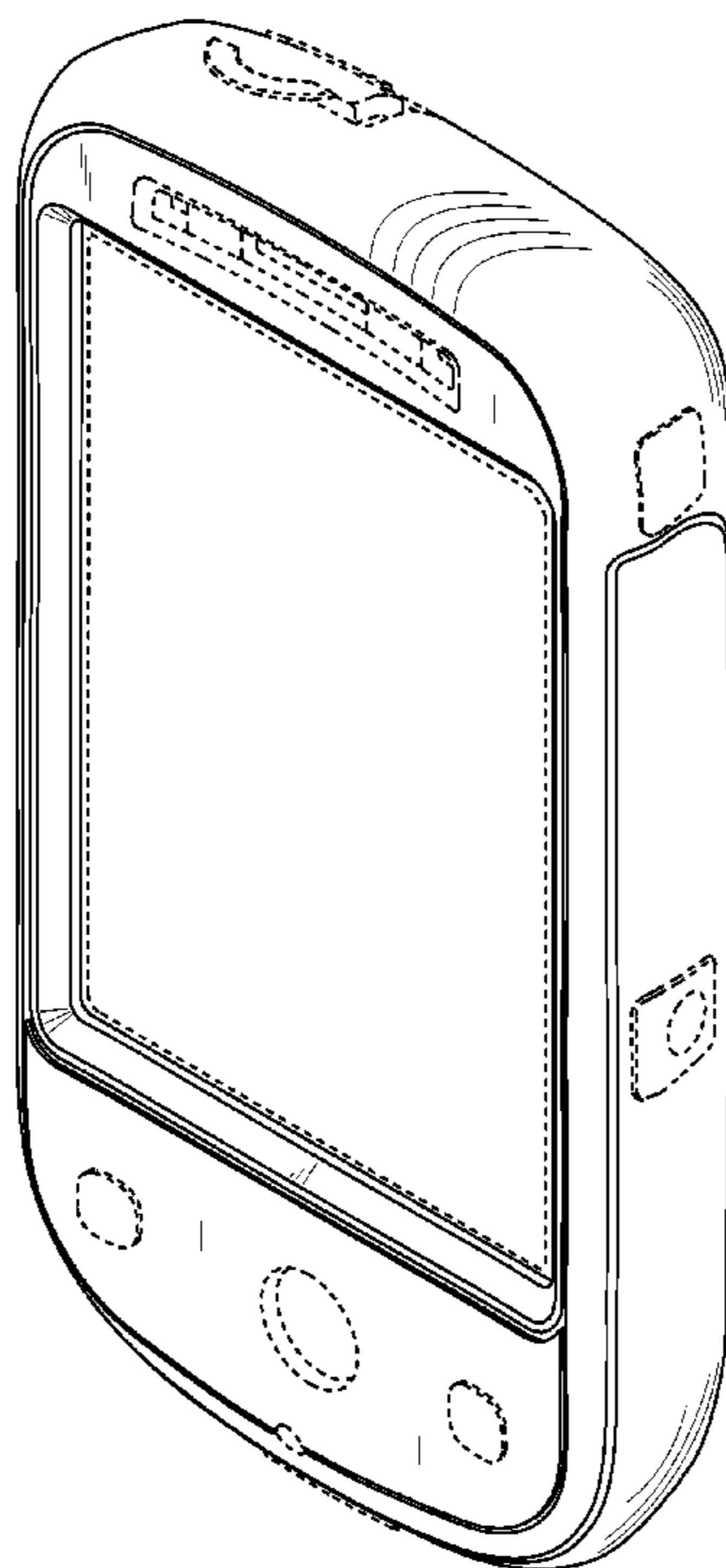
FIG. 6 is a right view thereof;

FIG. 7 is a top view thereof; and,

FIG. 8 is a bottom view thereof.

The broken lines immediately adjacent the shaded surfaces represent boundaries of the claimed design. All other broken lines are directed to environment. The broken lines and unshaded regions bounded by the broken lines form no part of the claimed design.

1 Claim, 6 Drawing Sheets



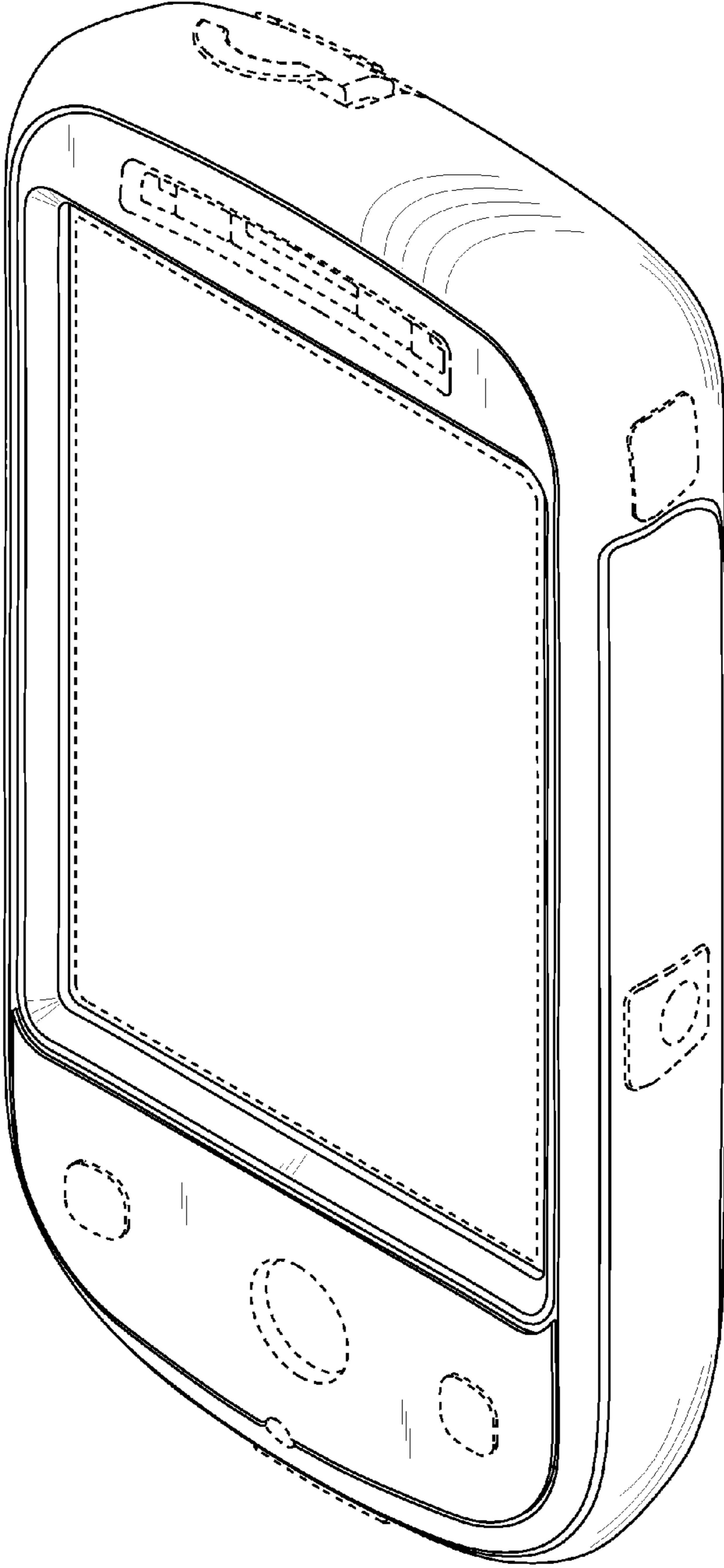


FIG. 1

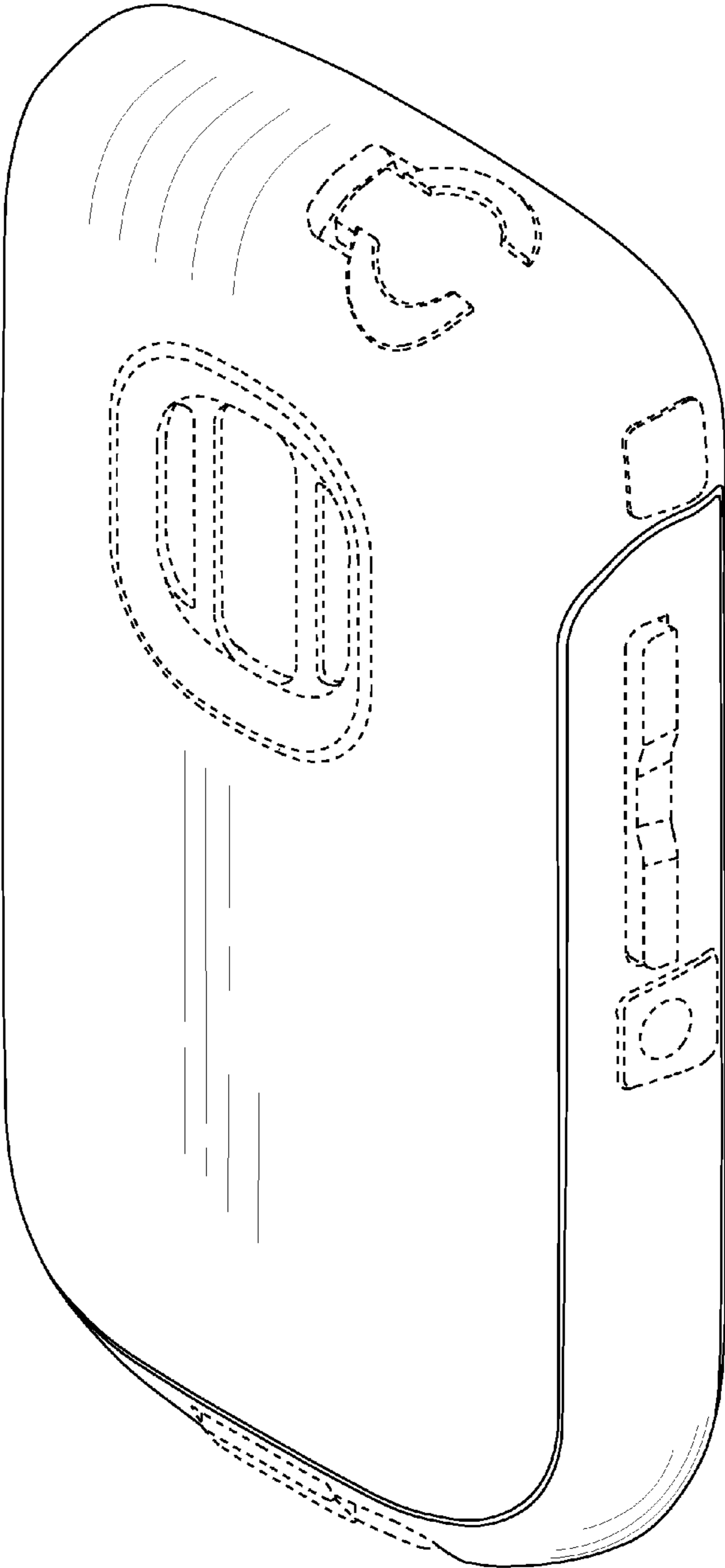


FIG. 2

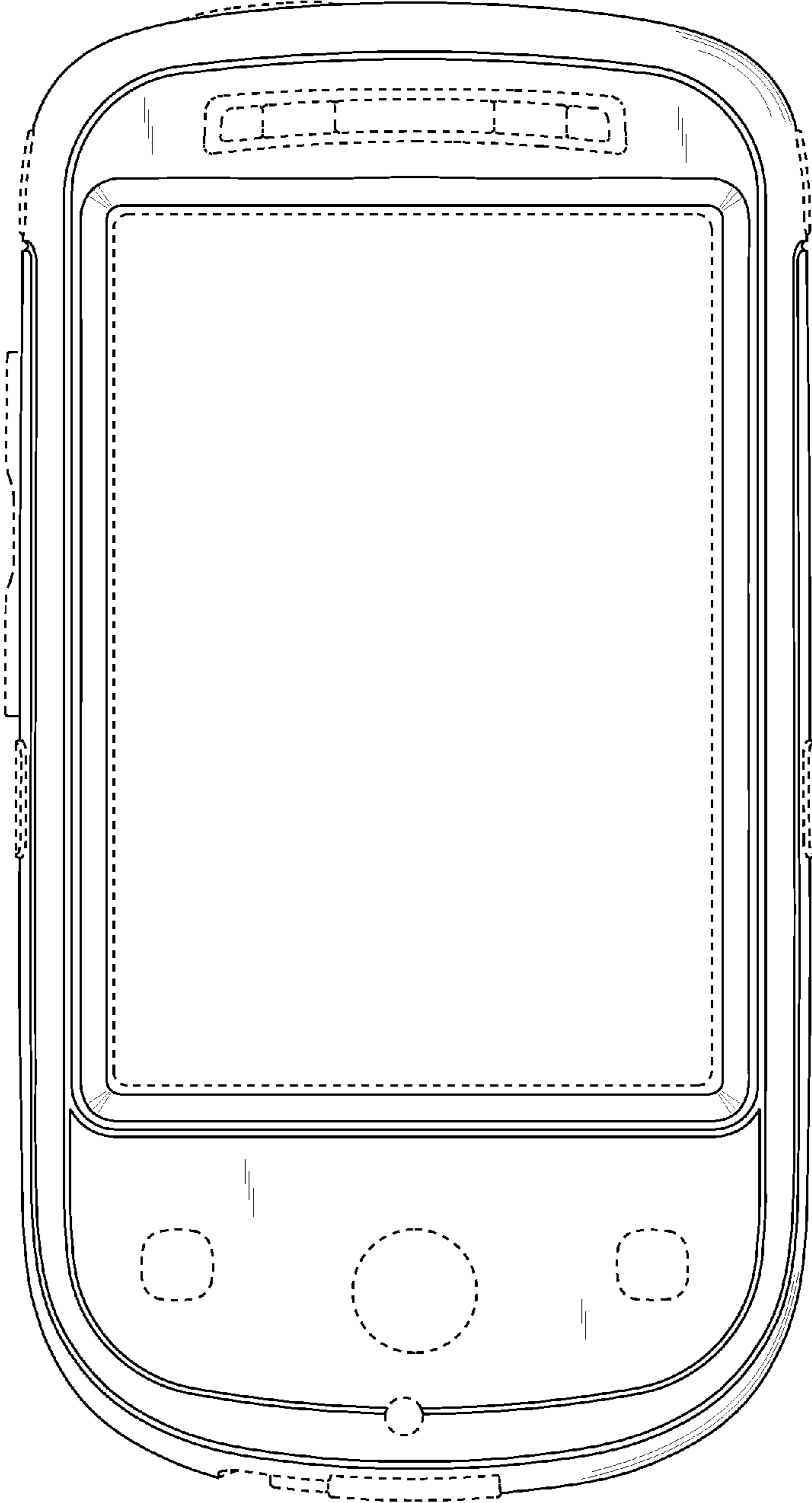


FIG. 3

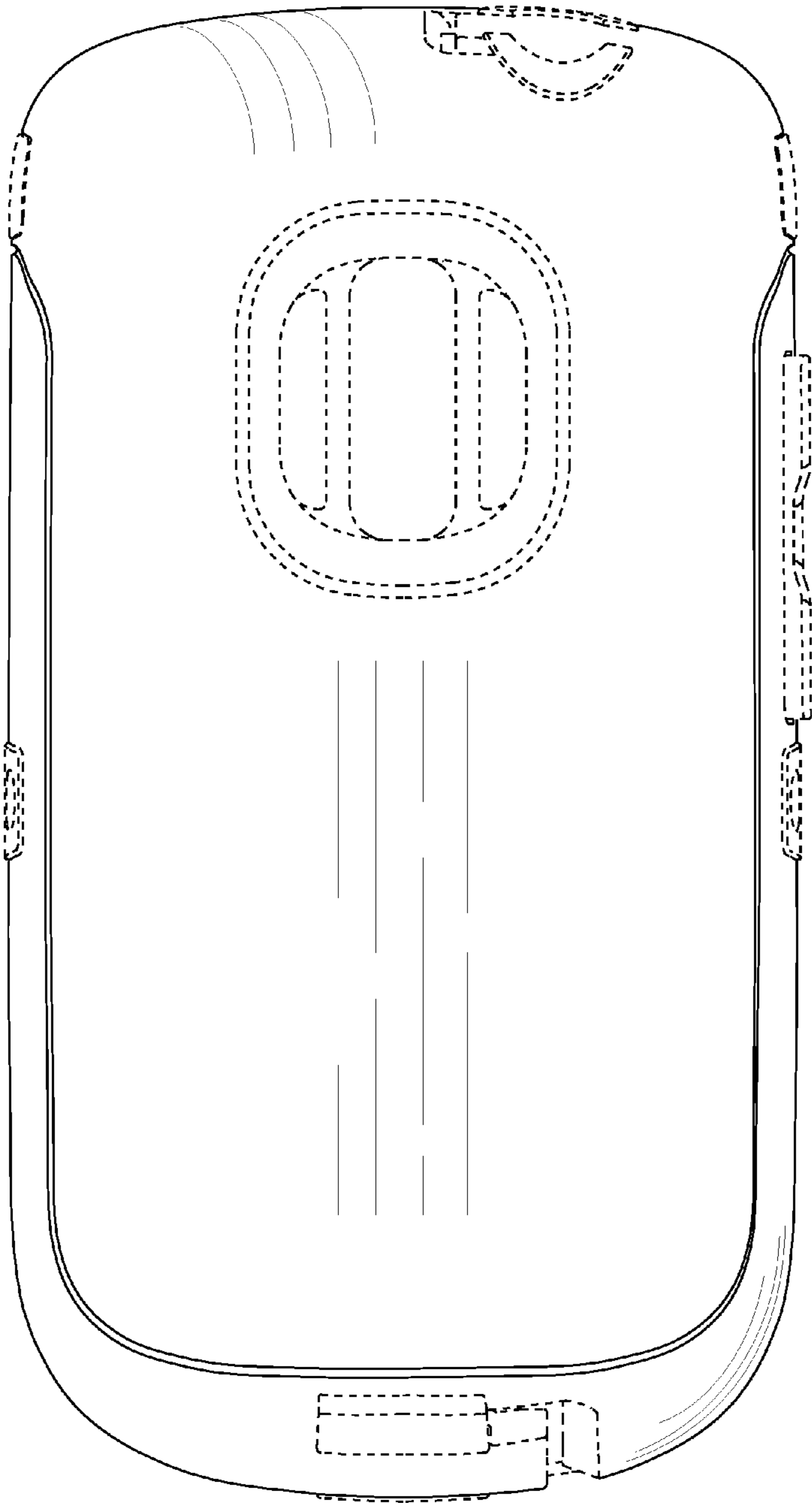


FIG. 4

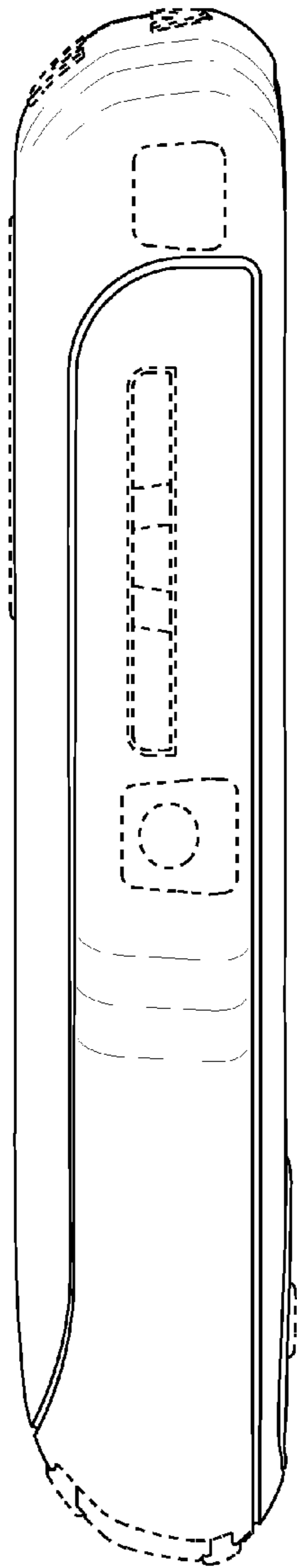


FIG. 5

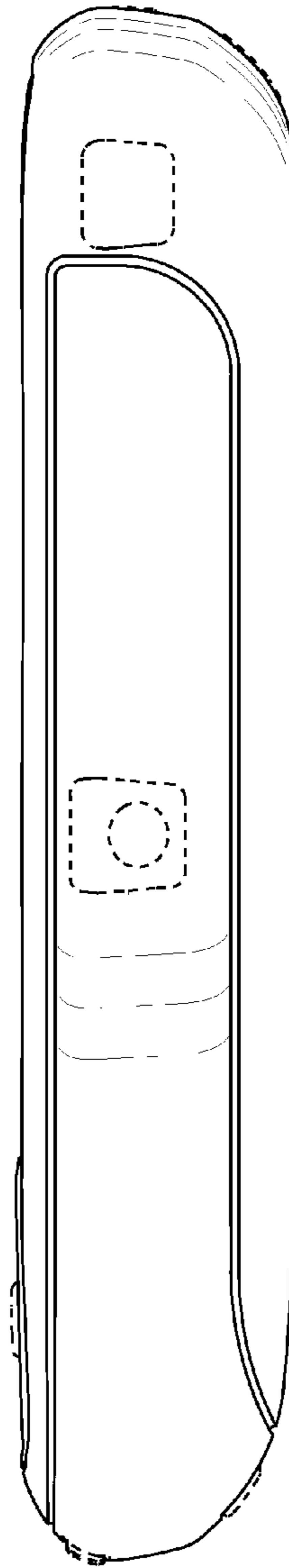


FIG. 6

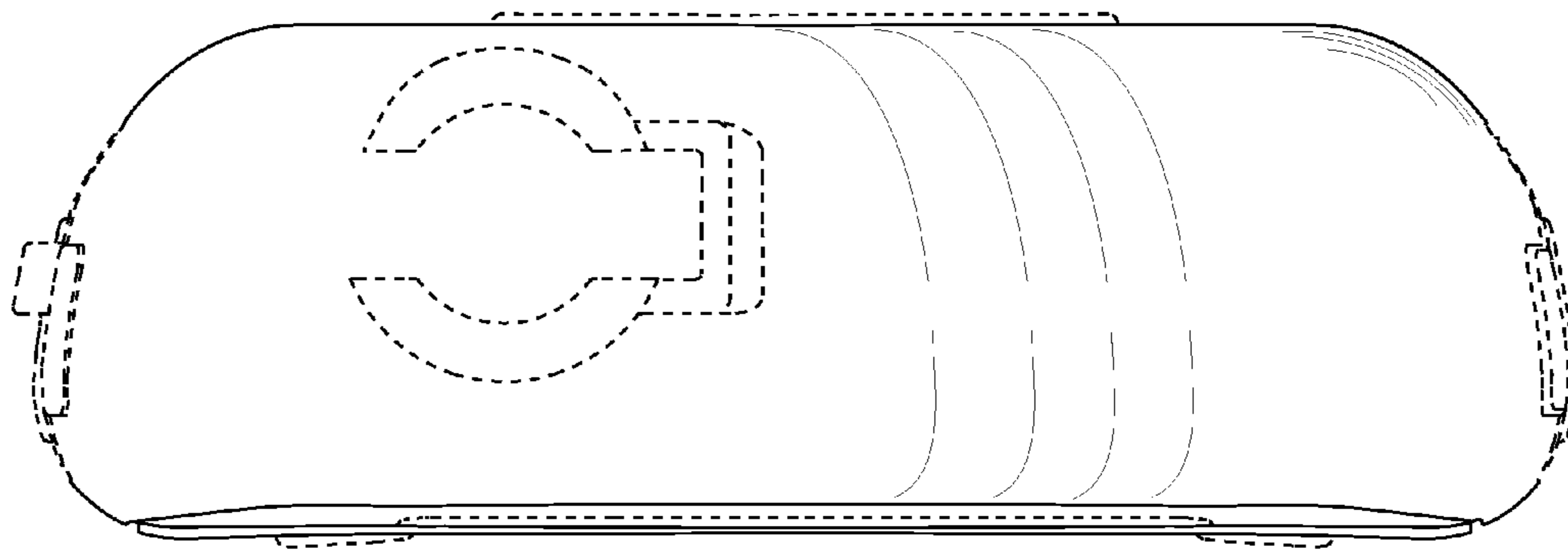


FIG. 7

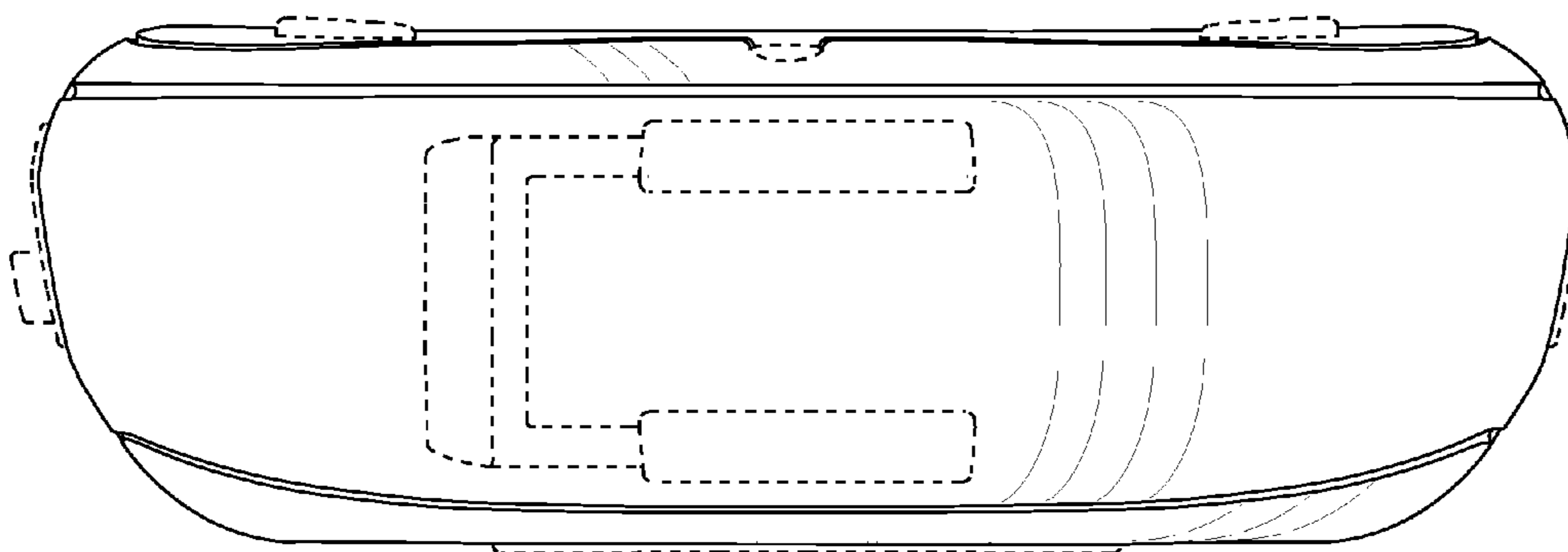


FIG. 8