



US00D673932S

(12) **United States Design Patent**  
**Long et al.**

(10) **Patent No.:** **US D673,932 S**  
(45) **Date of Patent:** **\*\* Jan. 8, 2013**

(54) **LOUDSPEAKER**

(75) Inventors: **David Brian Long**, Kowloon (HK);  
**David Harris**, Kowloon (HK); **Wing Kit Lui**, Kowloon (HK); **Hiu Wai Ho**, Kowloon (HK)

(73) Assignee: **Eric Beare Associates Limited**, Kowloon (HK)

(\*\*) Term: **14 Years**

(21) Appl. No.: **29/399,828**

(22) Filed: **Aug. 19, 2011**

(51) **LOC (9) Cl.** ..... **14-01**

(52) **U.S. Cl.** ..... **D14/209.1; D14/217; D14/204**

(58) **Field of Classification Search** ..... D14/204, D14/204.1, 210–216, 172; 181/143, 144, 181/147, 148, 150–153, 157, 198, 199; 381/300–306, 332, 333, 336, 345, 361–364  
See application file for complete search history.

(56) **References Cited**

**U.S. PATENT DOCUMENTS**

D319,242	S *	8/1991	Furuno	.....	D14/204
5,123,500	A *	6/1992	Malhoit et al.	.....	181/144
D347,225	S *	5/1994	Lowy et al.	.....	D14/211
6,345,685	B1 *	2/2002	Wells et al.	.....	181/153

D466,885	S *	12/2002	MacFarlane et al.	.....	D14/204
6,978,030	B2 *	12/2005	Reich	.....	381/124
D519,104	S *	4/2006	Richter	.....	D14/207
D567,213	S *	4/2008	Prince	.....	D14/204
D575,770	S *	8/2008	Lewis	.....	D14/216
D595,263	S *	6/2009	Jiang	.....	D14/207
D606,978	S *	12/2009	Chen	.....	D14/215
8,194,897	B2 *	6/2012	Choi	.....	381/182
D667,389	S *	9/2012	Yokoyama	.....	D14/209.1

\* cited by examiner

*Primary Examiner* — Prabhakar Deshmukh

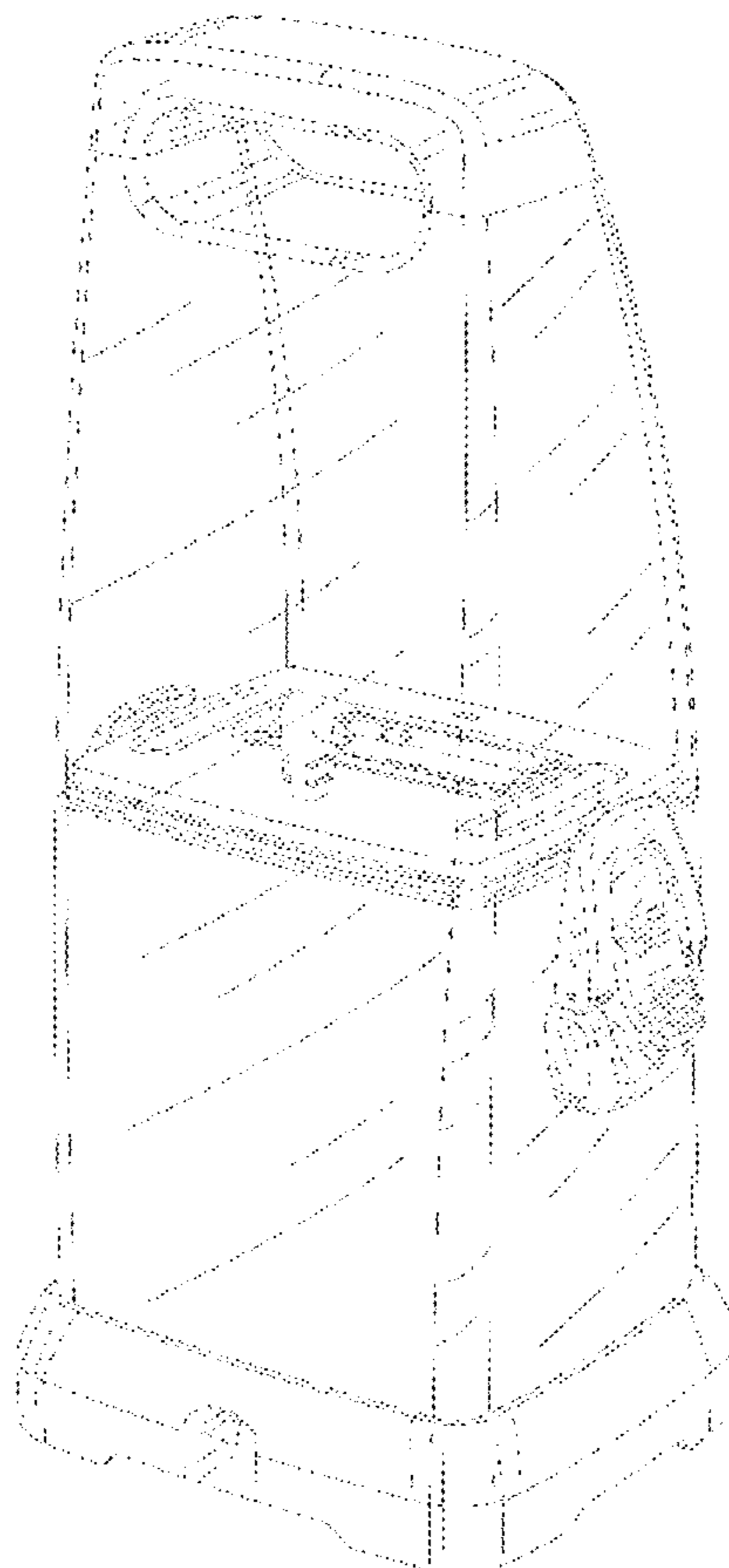
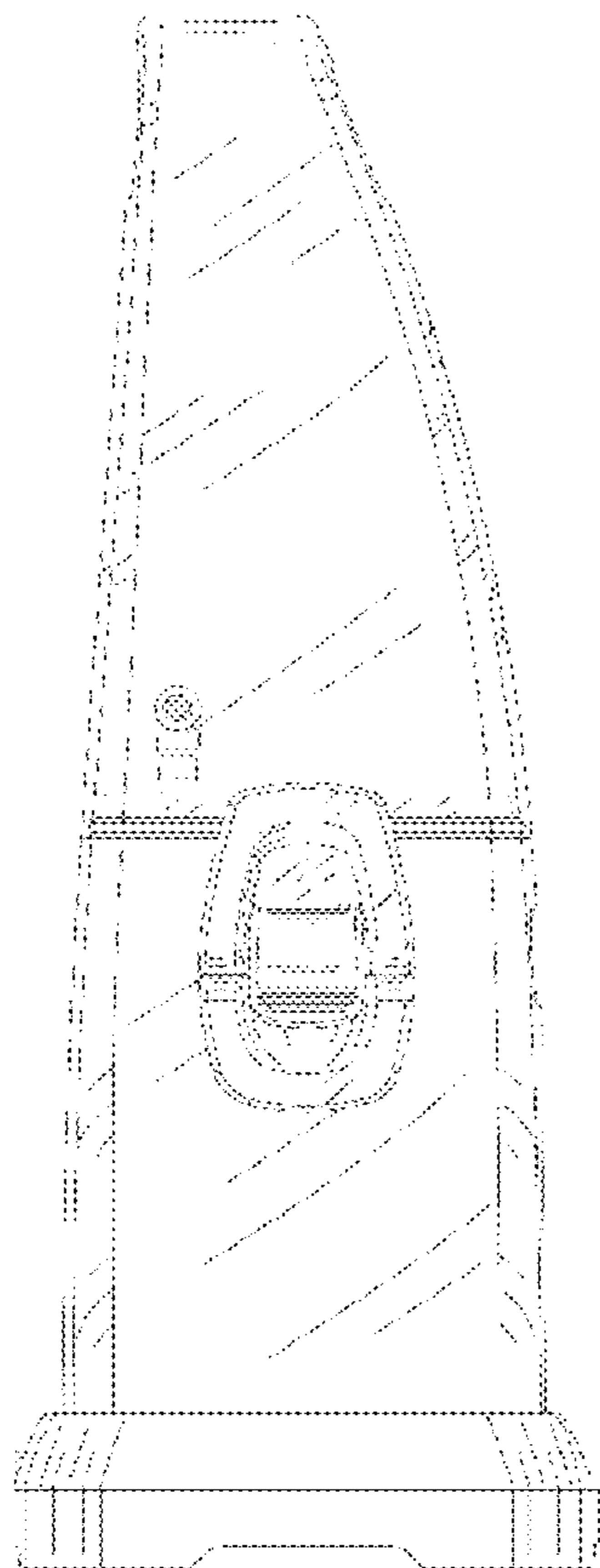
(57) **CLAIM**

The ornamental design for a loudspeaker, as shown and described.

**DESCRIPTION**

FIG. 1 is a front elevational view of a loudspeaker showing my new design;  
FIG. 2 is a rear elevational view thereof;  
FIG. 3 is a left side view thereof;  
FIG. 4 is a right side view thereof;  
FIG. 5 is a top plan view thereof;  
FIG. 6 is a bottom plan view thereof;  
FIG. 7 is a perspective view thereof;  
FIG. 8 is another perspective view thereof; and,  
FIG. 9 is a perspective view with the cap portion detached.

**1 Claim, 8 Drawing Sheets**



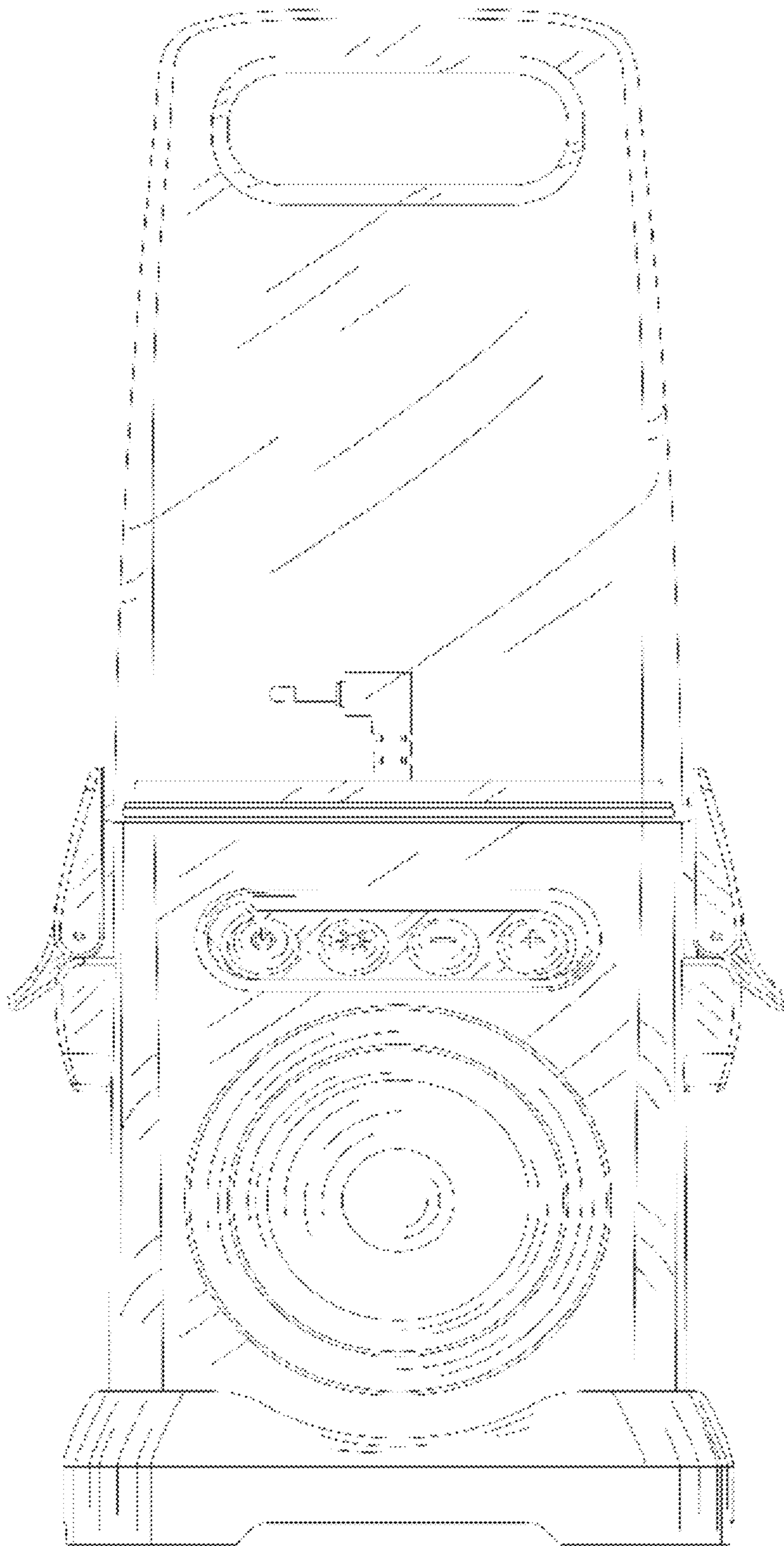


FIG. 1

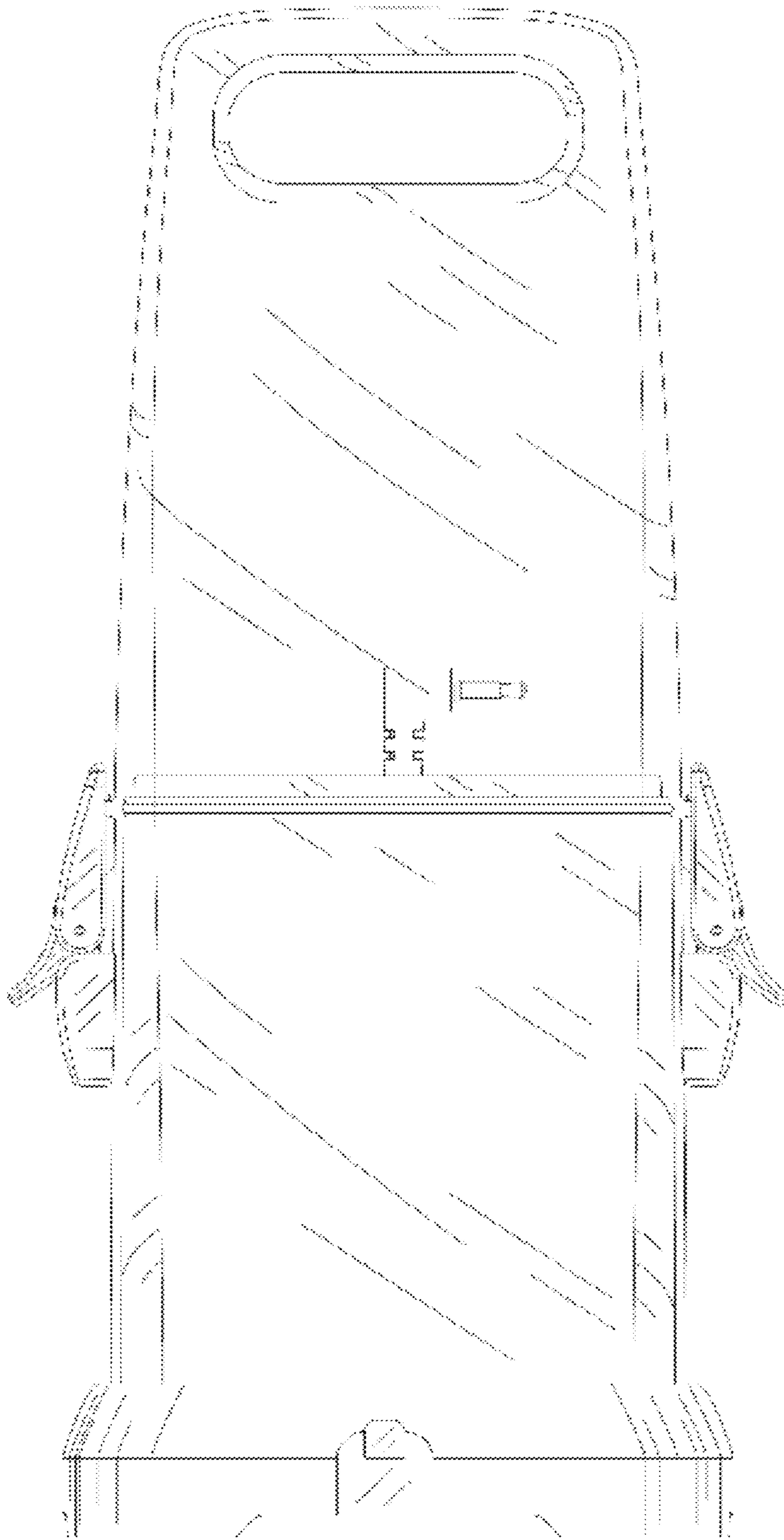


FIG. 2

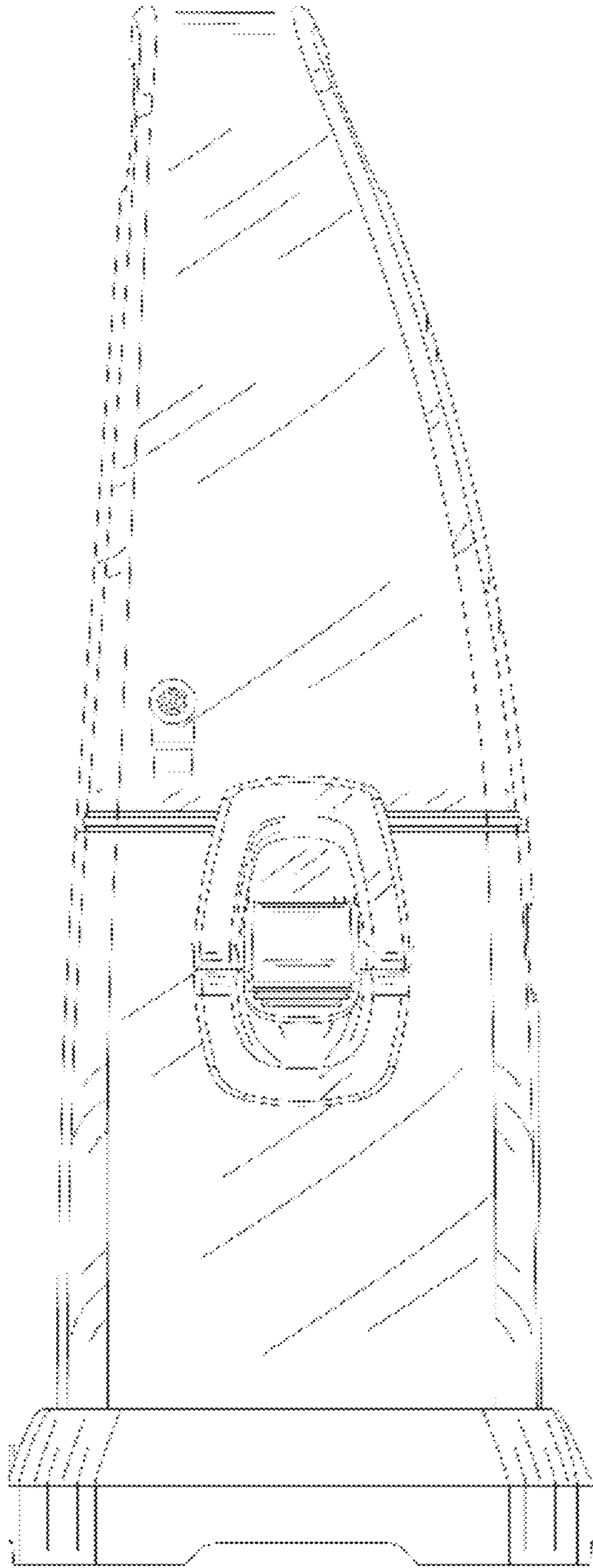


FIG. 3

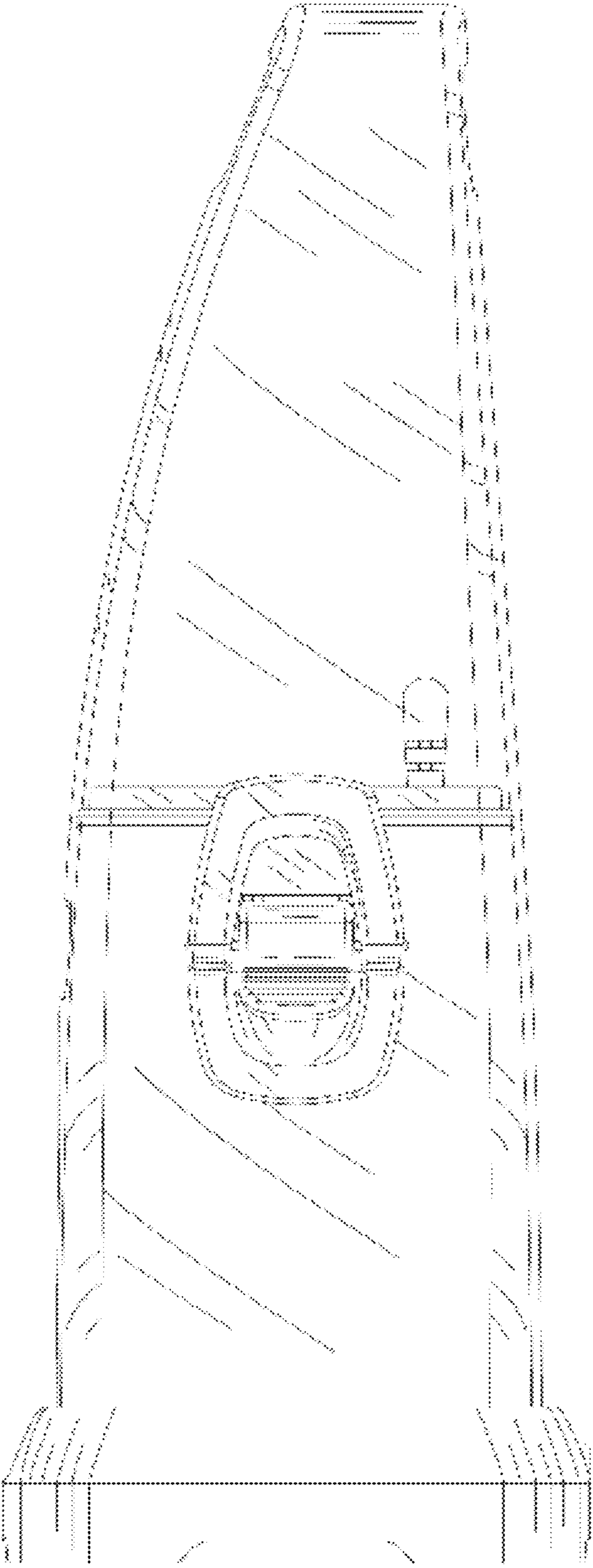


FIG. 4

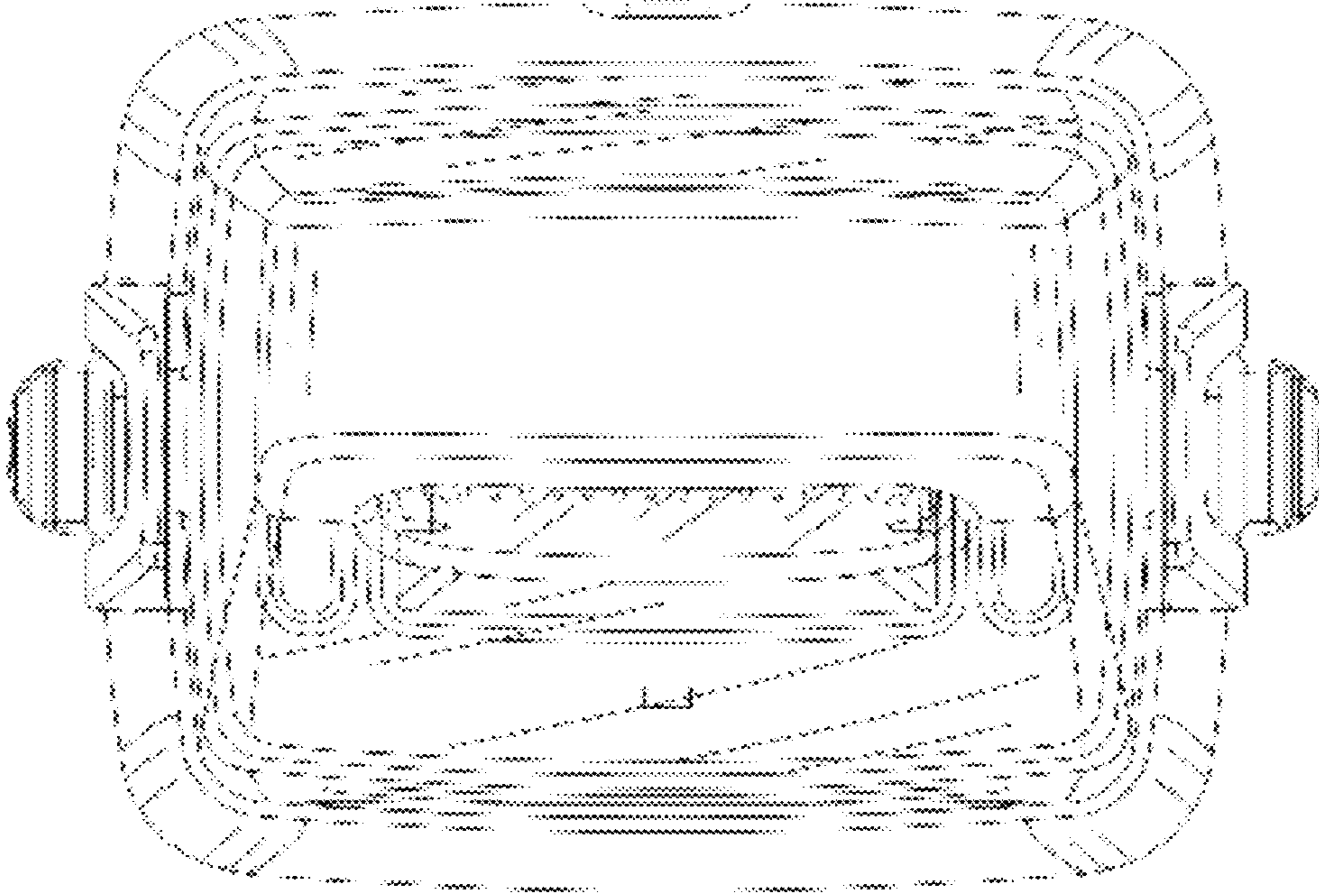


FIG. 5

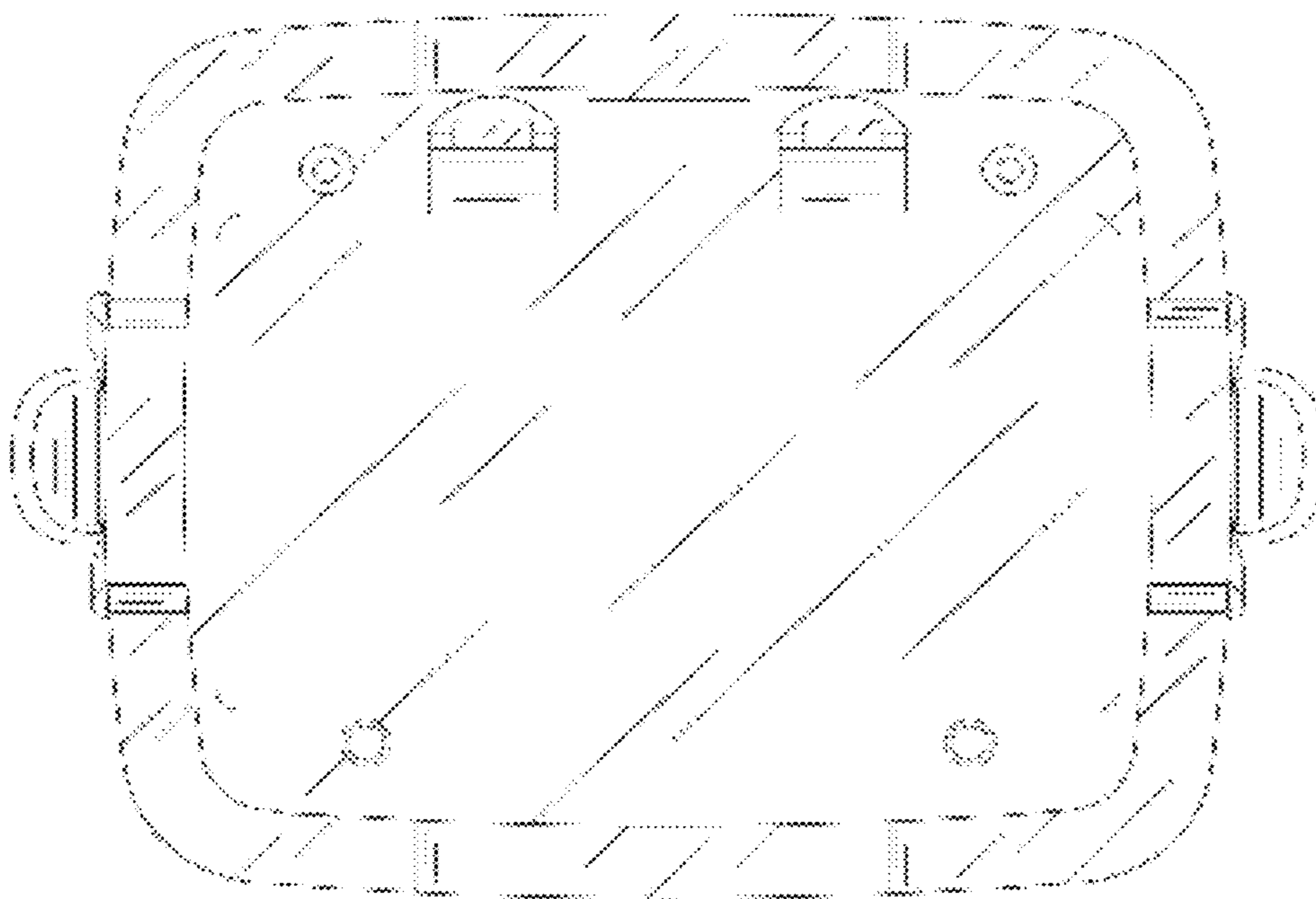


FIG. 6

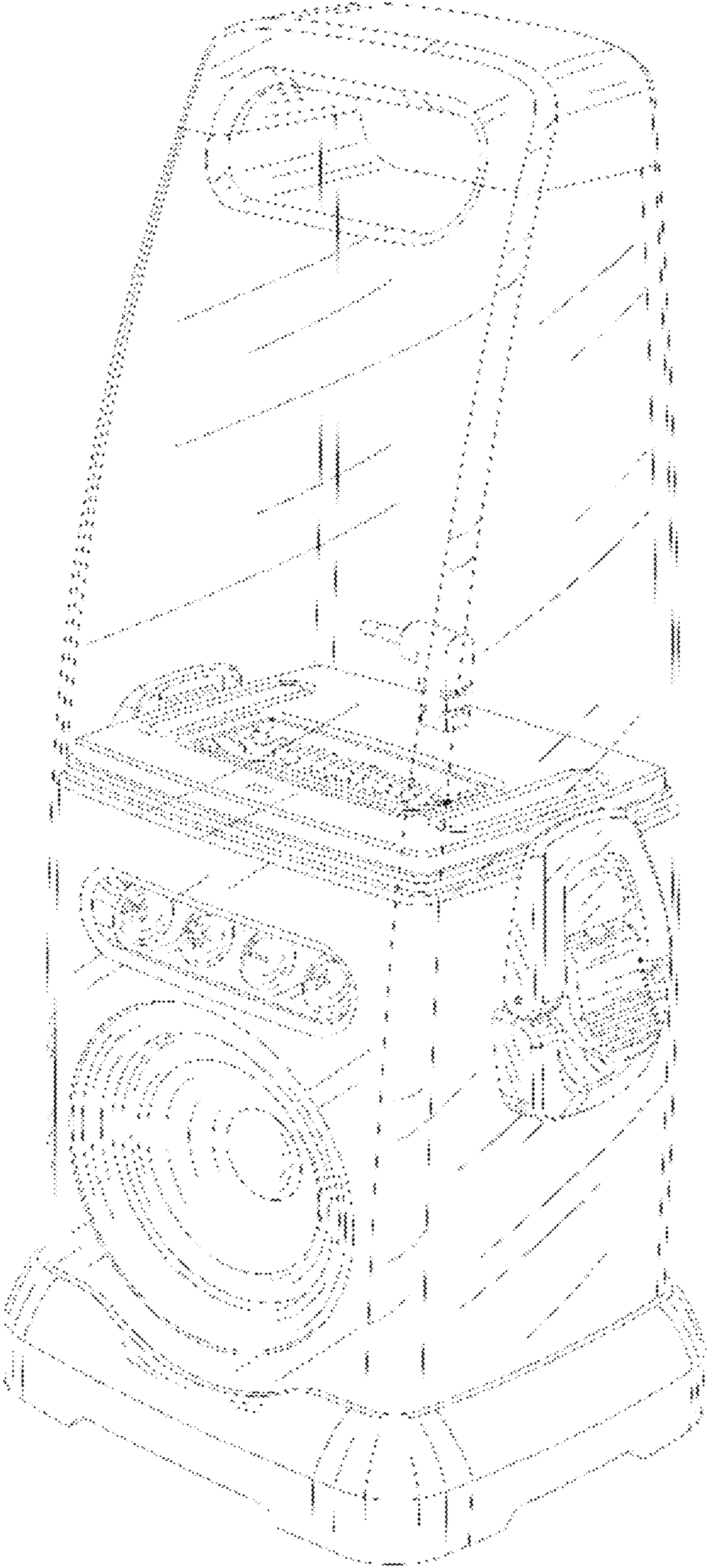


FIG. 7

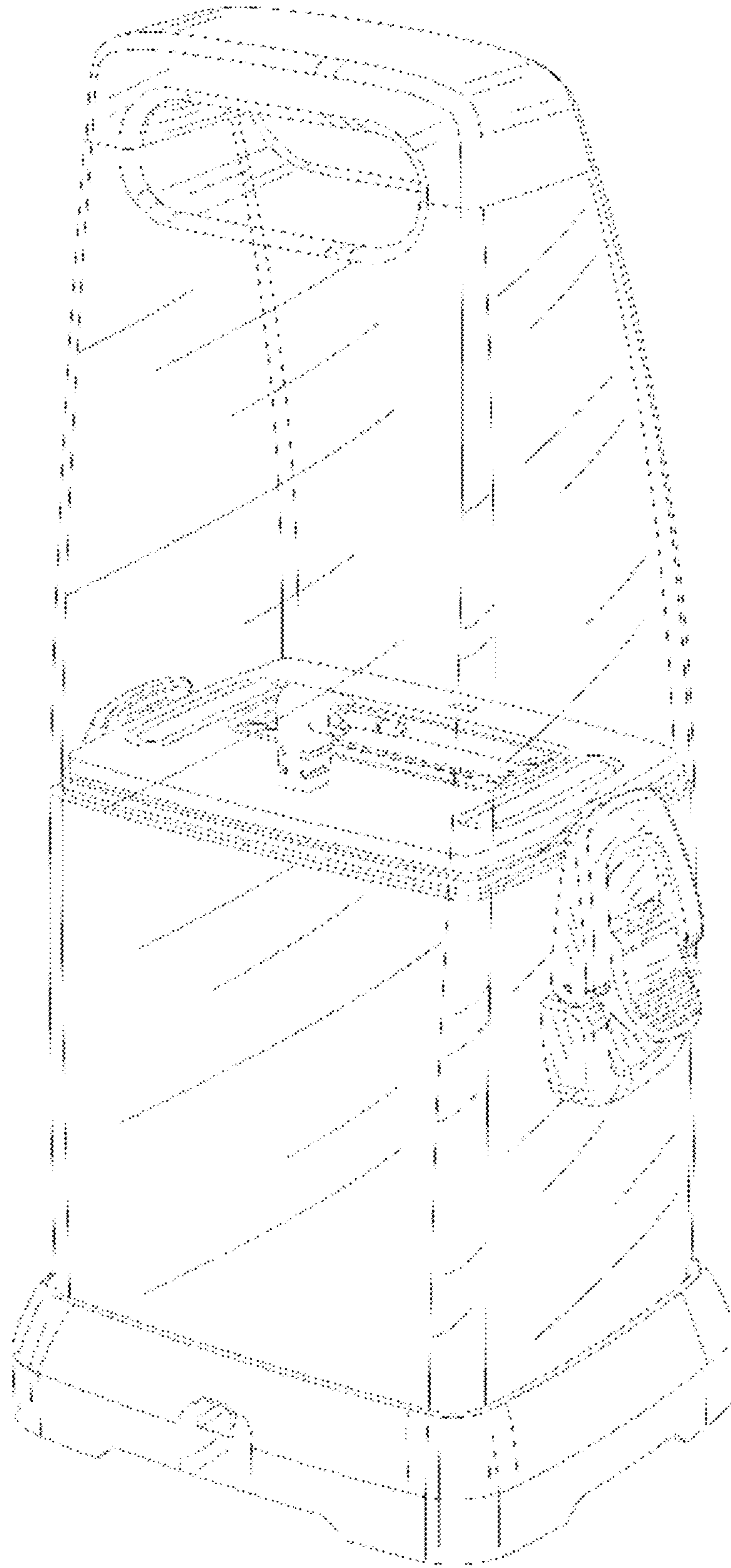


FIG. 8



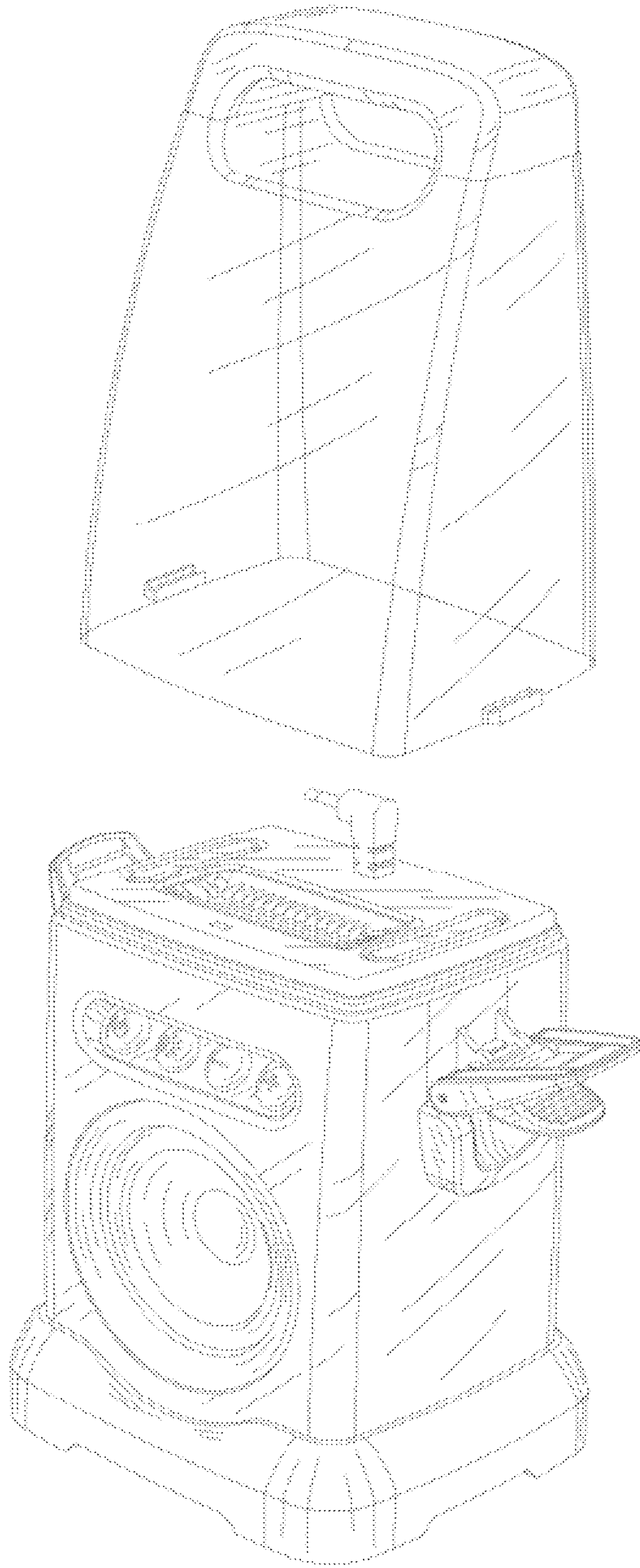


FIG. 9