



US00D673929S

(12) **United States Design Patent**  
**Combs et al.**

(10) **Patent No.:** **US D673,929 S**

(45) **Date of Patent:** **\*\* Jan. 8, 2013**

(54) **OVER-EAR HEADPHONES**

(75) Inventors: **Seth Combs**, San Francisco, CA (US);  
**Kevin Lee**, El Cerrito, CA (US)

(73) Assignee: **Sol Republic, Inc.**, El Cerrito, CA (US)

(\*\*) Term: **14 Years**

(21) Appl. No.: **29/409,140**

(22) Filed: **Dec. 20, 2011**

(51) **LOC (9) Cl.** ..... **14-01**

(52) **U.S. Cl.** ..... **D14/205**

(58) **Field of Classification Search** ..... D14/205,  
D14/206, 223; 181/129, 130, 135; 379/430,  
379/431; 381/380, 381; 455/90.3, 575.2;  
D29/112; 2/209

See application file for complete search history.

(56) **References Cited**

**U.S. PATENT DOCUMENTS**

1,699,127	A	*	1/1929	Wacker	.....	381/74
2,954,442	A	*	9/1960	Mickenberg	.....	2/410
3,562,816	A	*	2/1971	Hutchinson	.....	2/209
D351,172	S	*	10/1994	Nakamura et al.	.....	D14/205
5,369,857	A	*	12/1994	Sacherman et al.	.....	29/594
6,093,202	A	*	7/2000	Dyken et al.	.....	607/109
D505,411	S	*	5/2005	Sakai	.....	D14/192
D534,155	S	*	12/2006	Obata	.....	D14/205
D541,257	S	*	4/2007	Thursfield	.....	D14/205
D617,769	S	*	6/2010	Birger	.....	D14/205

D625,705	S	*	10/2010	Ohori et al.	.....	D14/205
D632,668	S	*	2/2011	Brunner et al.	.....	D14/205
D654,472	S	*	2/2012	Fischer	.....	D14/206
D657,344	S	*	4/2012	Brunner et al.	.....	D14/205
D658,156	S	*	4/2012	Olodort et al.	.....	D14/205
D659,116	S	*	5/2012	Iseki	.....	D14/205
D664,114	S	*	7/2012	Tsuchiya	.....	D14/205
D664,117	S	*	7/2012	Tappeiner et al.	.....	D14/205
D664,118	S	*	7/2012	Tappeiner et al.	.....	D14/205

\* cited by examiner

*Primary Examiner* — Paula Greene

(74) *Attorney, Agent, or Firm* — Alleman Hall McCoy  
Russell & Tuttle LLP

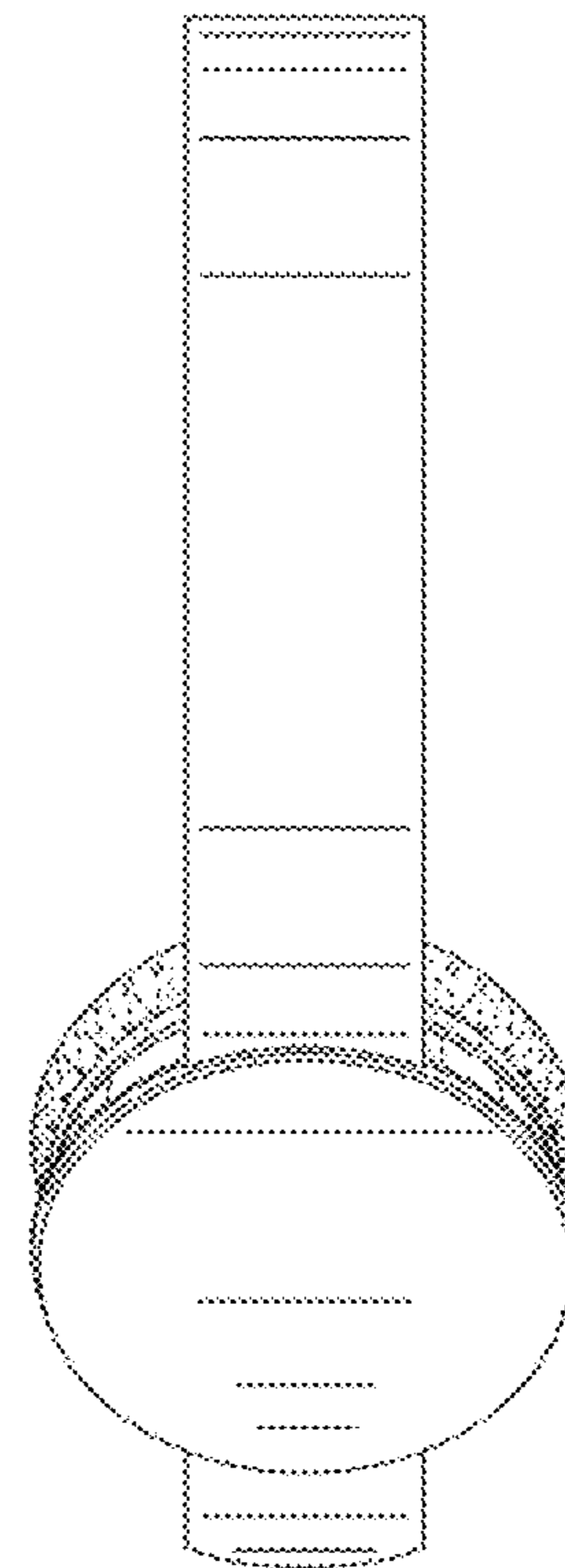
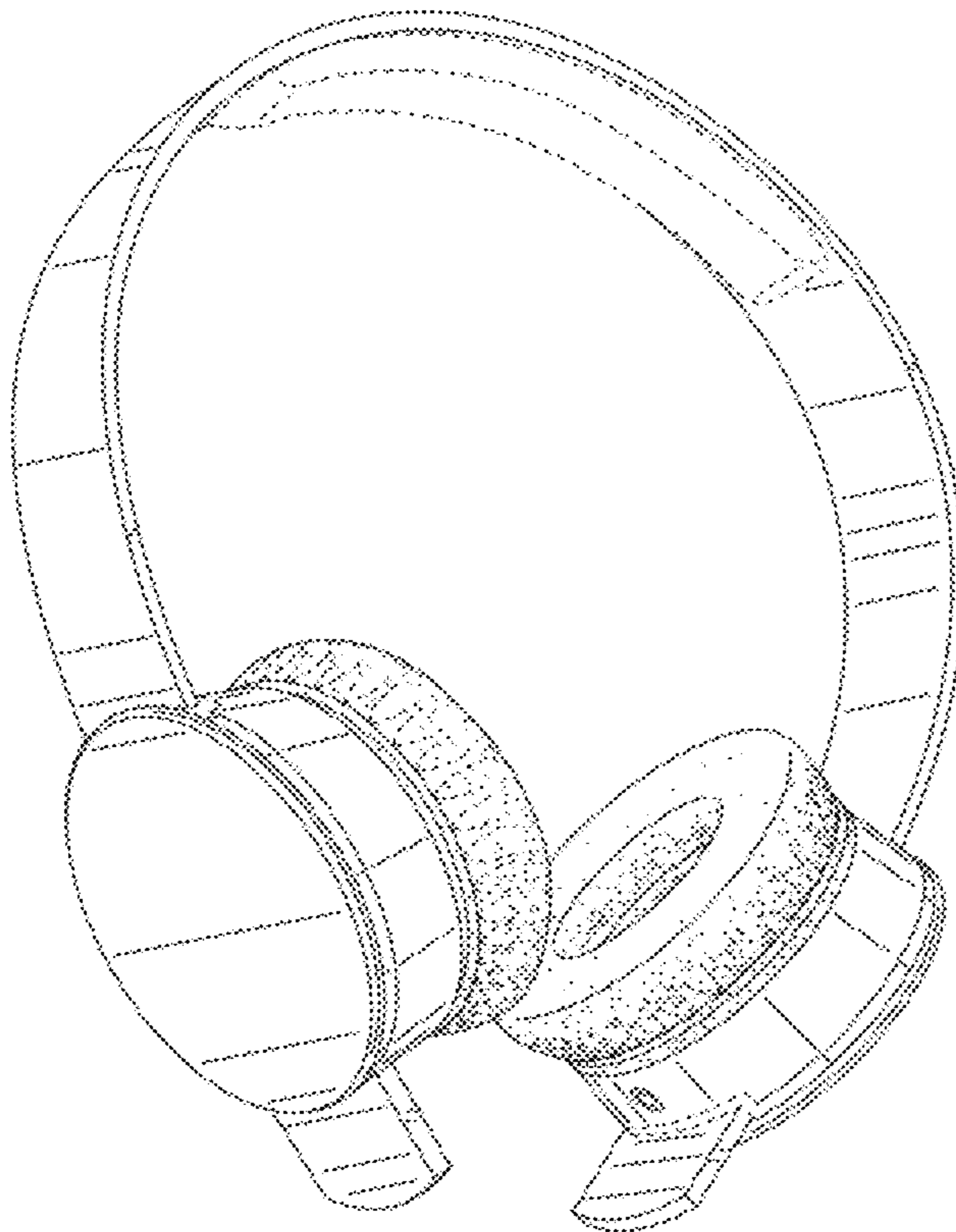
(57) **CLAIM**

The ornamental design for over-ear headphones, as shown  
and described.

**DESCRIPTION**

FIG. 1 is a perspective view of over-ear headphones.  
FIG. 2 is a front view of the over-ear headphones.  
FIG. 3 is a rear view of the over-ear headphones.  
FIG. 4 is a side view of the over-ear headphones.  
FIG. 5 is an opposing side view of the over-ear headphones  
FIG. 6 is a top view of the over-ear headphones; and,  
FIG. 7 is a bottom view of the over-ear headphones.  
The uneven broken lines and shading in FIGS. 1-7 are for  
illustrative purposes only and form no part of the claimed  
design. Solid lines represent portions of the over-ear head-  
phones which are part of the claimed design.

**1 Claim, 5 Drawing Sheets**



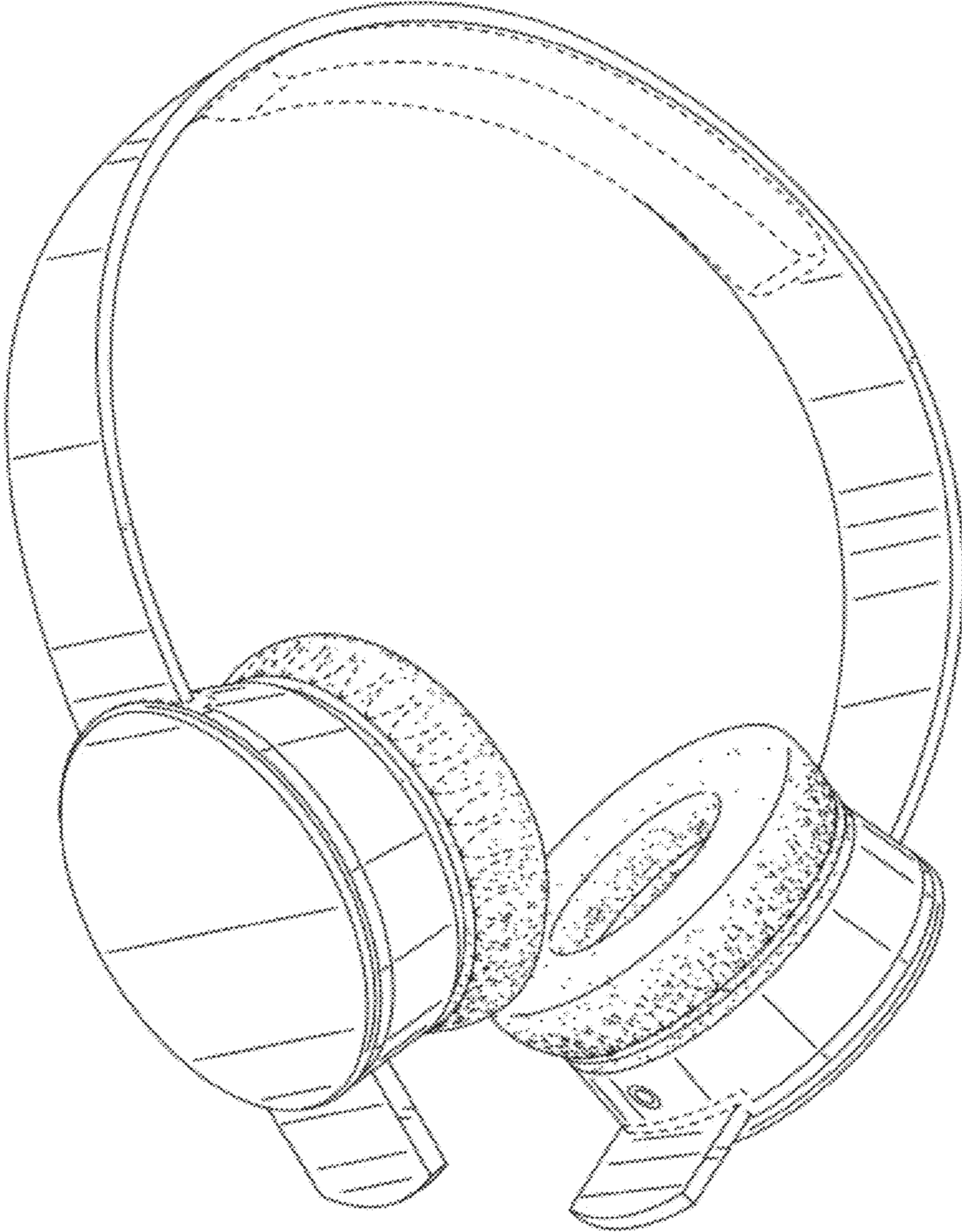


FIG. 1

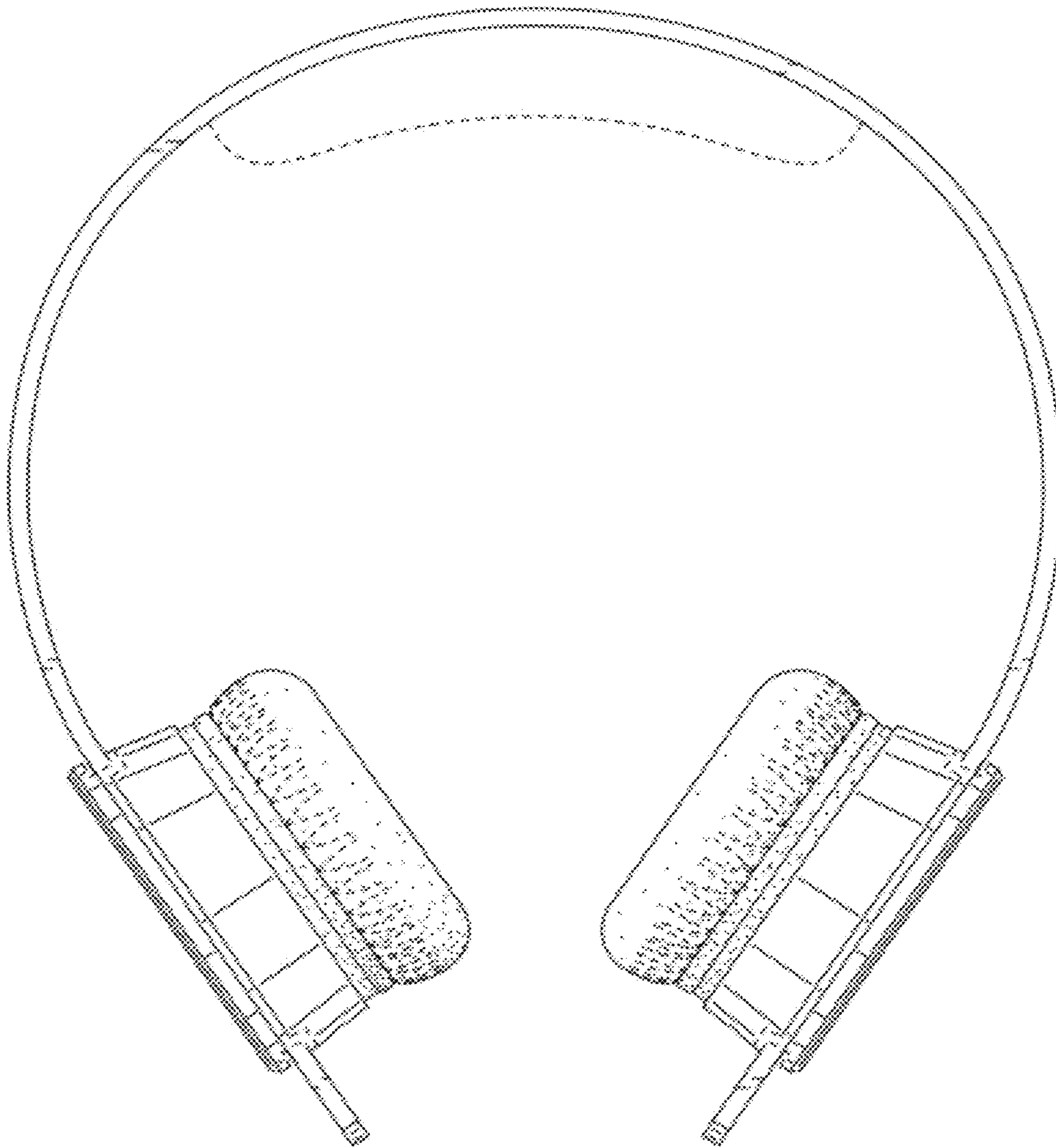


FIG. 2

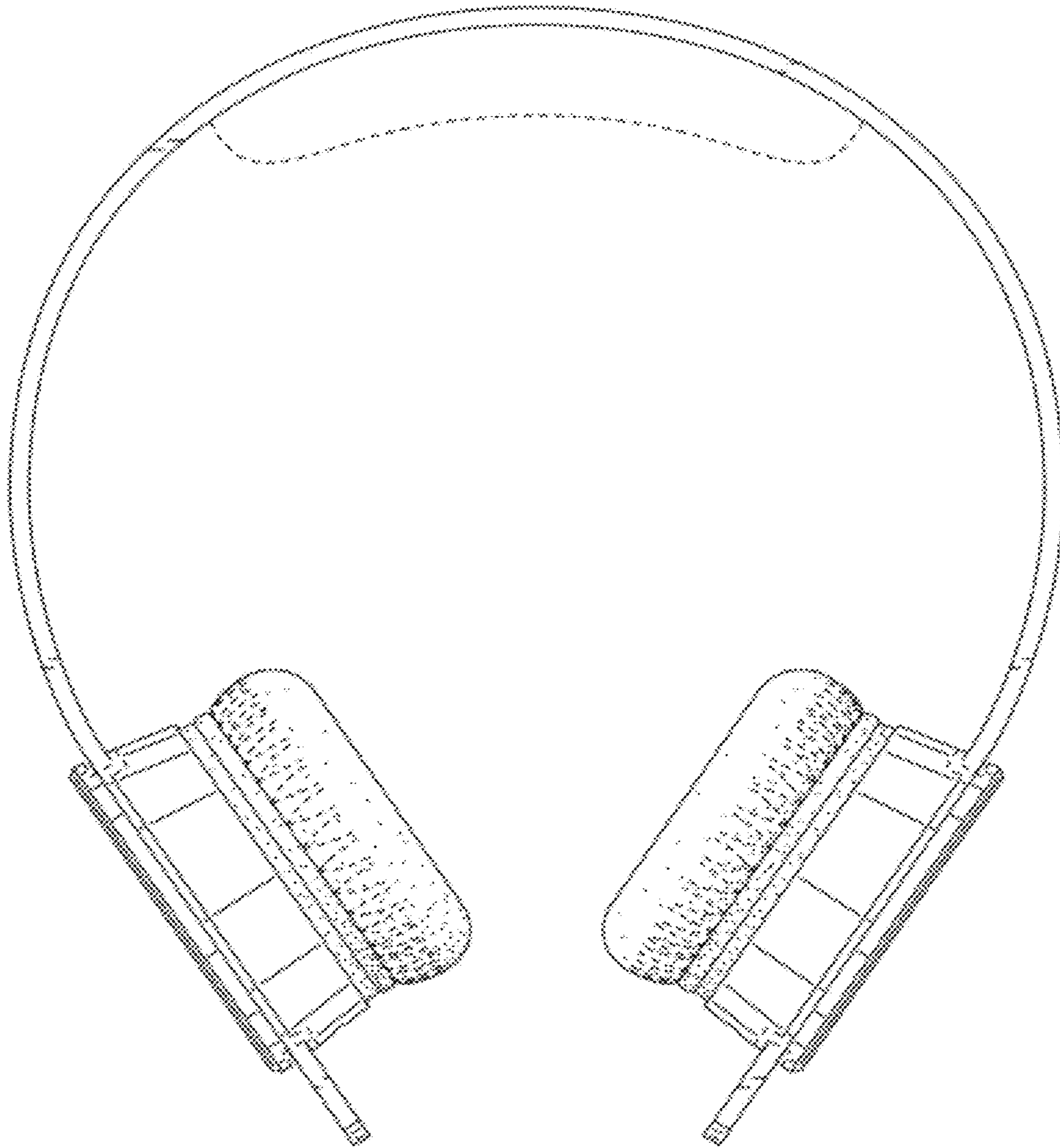


FIG. 3

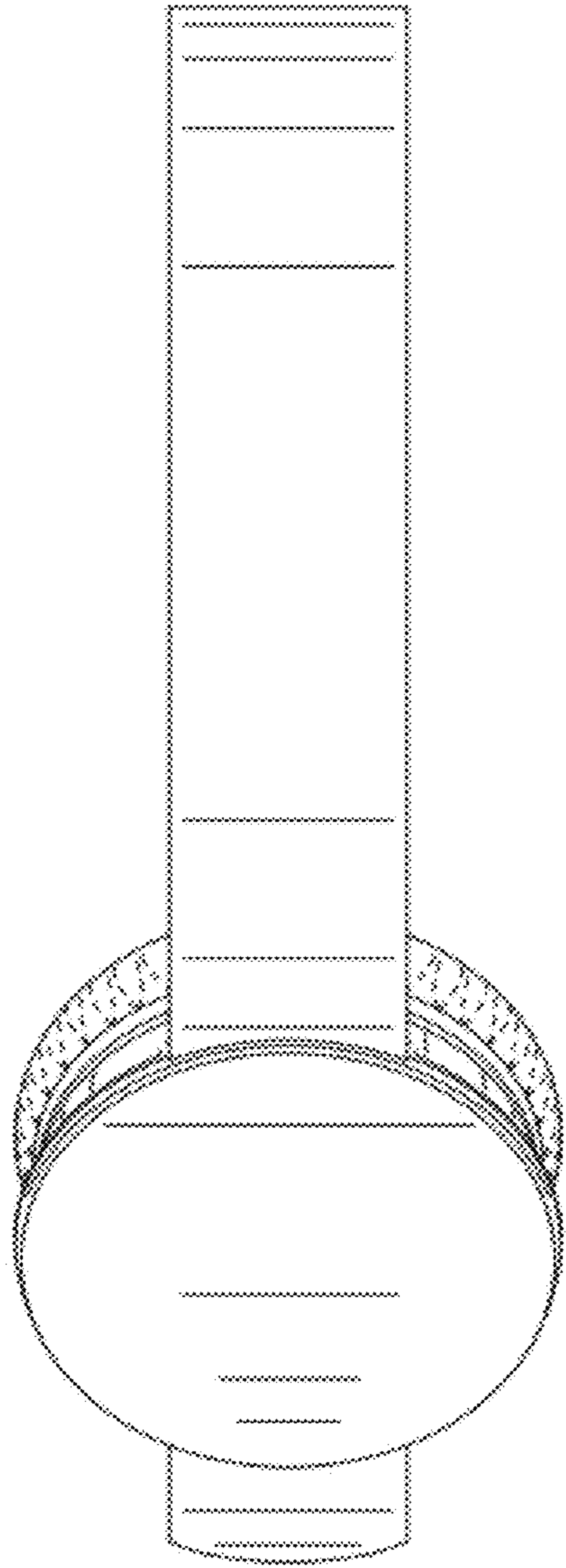


FIG. 4

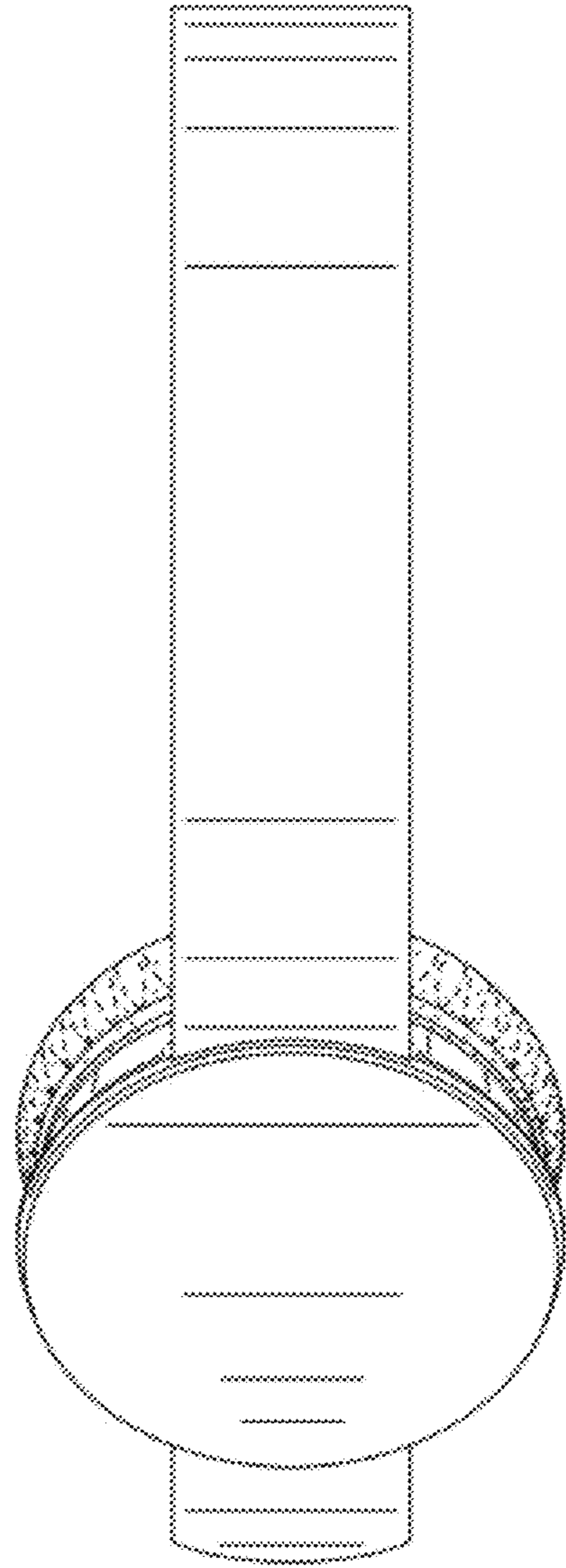


FIG. 5

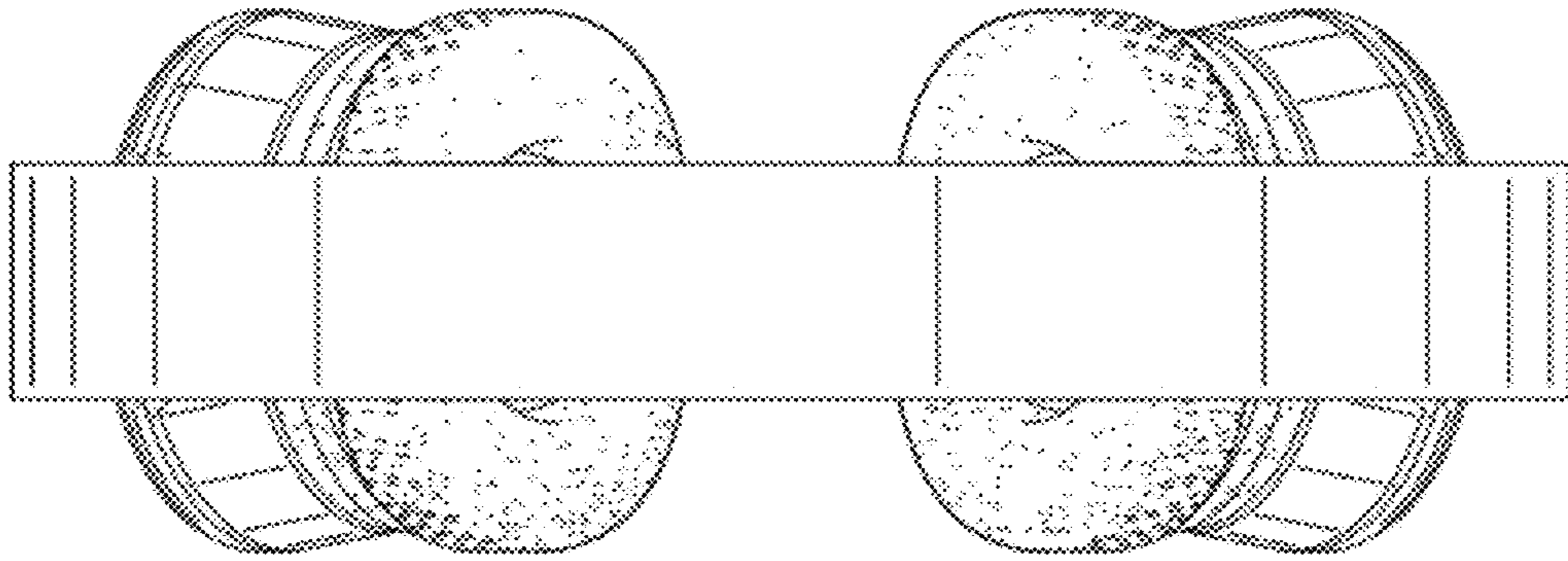


FIG. 6

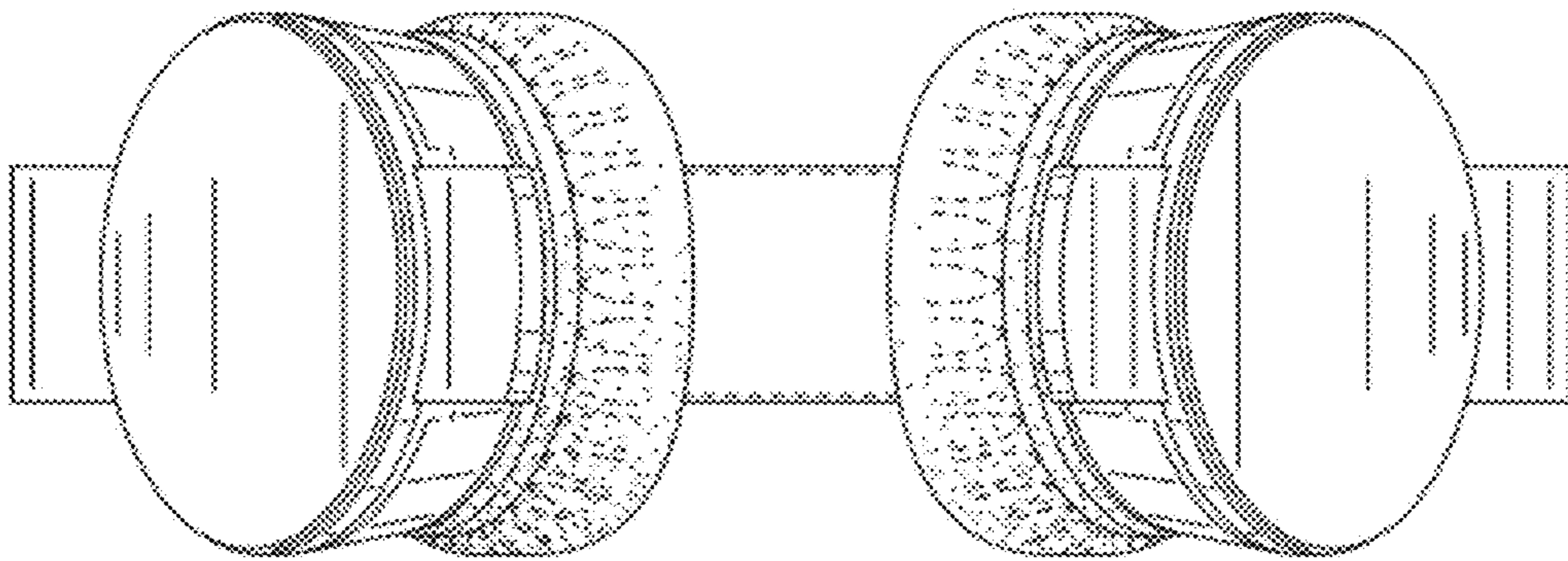


FIG. 7