

US00D673921S

(12) **United States Design Patent**
Ozawa

(10) **Patent No.:** **US D673,921 S**
(45) **Date of Patent:** **** Jan. 8, 2013**

(54) **PORTION OF A SUBSTRATE FOR AN ELECTRONIC CIRCUIT**

(75) Inventor: **Isao Ozawa**, Chigasaki (JP)

(73) Assignee: **Kabushiki Kaisha Toshiba** (JP)

(**) Term: **14 Years**

(21) Appl. No.: **29/393,902**

(22) Filed: **Jun. 10, 2011**

(30) **Foreign Application Priority Data**

Apr. 21, 2011 (JP) 2011-009239

(51) **LOC (9) Cl.** **13-03**

(52) **U.S. Cl.** **D13/182**

(58) **Field of Classification Search** D13/182;
257/678, 690; 361/679.31, 719, 720, 752,
361/777, 820

See application file for complete search history.

(56) **References Cited**

U.S. PATENT DOCUMENTS

5,973,399	A *	10/1999	Stark et al.	257/731
6,101,096	A *	8/2000	MacGregor et al.	361/720
D432,096	S *	10/2000	Jeon et al.	D13/182
6,930,889	B2 *	8/2005	Harrison et al.	361/774
7,315,454	B2 *	1/2008	Schuster	361/736
7,473,991	B2 *	1/2009	Hiura et al.	257/678
7,489,025	B2 *	2/2009	Chen et al.	257/678
7,502,231	B2 *	3/2009	Hwang et al.	361/777
7,685,337	B2 *	3/2010	Merry et al.	710/62
8,040,680	B2 *	10/2011	Tsukazawa	361/777
8,189,328	B2 *	5/2012	Kanapathipillai et al.	361/679.32
8,199,521	B2 *	6/2012	Muff	361/777
2003/0006064	A1 *	1/2003	Gall et al.	174/260
2003/0094628	A1 *	5/2003	Yeh et al.	257/200

2006/0186520	A1 *	8/2006	Toba et al.	257/678
2007/0274032	A1 *	11/2007	Ni et al.	361/684
2008/0089020	A1 *	4/2008	Hiew et al.	361/684
2008/0123318	A1 *	5/2008	Lam	361/820
2008/0137278	A1 *	6/2008	Chih	361/684
2008/0200041	A1 *	8/2008	Lin et al.	439/62
2009/0279243	A1 *	11/2009	Amidi et al.	361/679.31
2010/0296236	A1 *	11/2010	Schuette	361/679.31
2011/0051351	A1 *	3/2011	Harashima	361/679.31
2011/0063790	A1 *	3/2011	Park et al.	361/679.31

FOREIGN PATENT DOCUMENTS

JP 1384320 4/2010

* cited by examiner

Primary Examiner — Selina Sikder

(74) *Attorney, Agent, or Firm* — Banner & Witcoff, Ltd.

(57) **CLAIM**

The ornamental design for a portion of a substrate for an electronic circuit, as shown and described.

DESCRIPTION

FIG. 1 is a front, bottom and left side perspective view of a portion of a substrate for an electronic circuit, showing my new design;

FIG. 2 is a rear, top and left side perspective view thereof;

FIG. 3 is a top plan view thereof;

FIG. 4 is a front elevational view thereof;

FIG. 5 is a right side elevational view thereof;

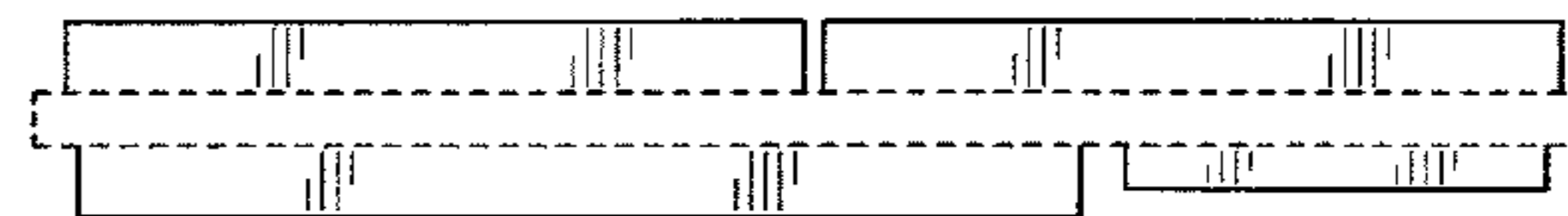
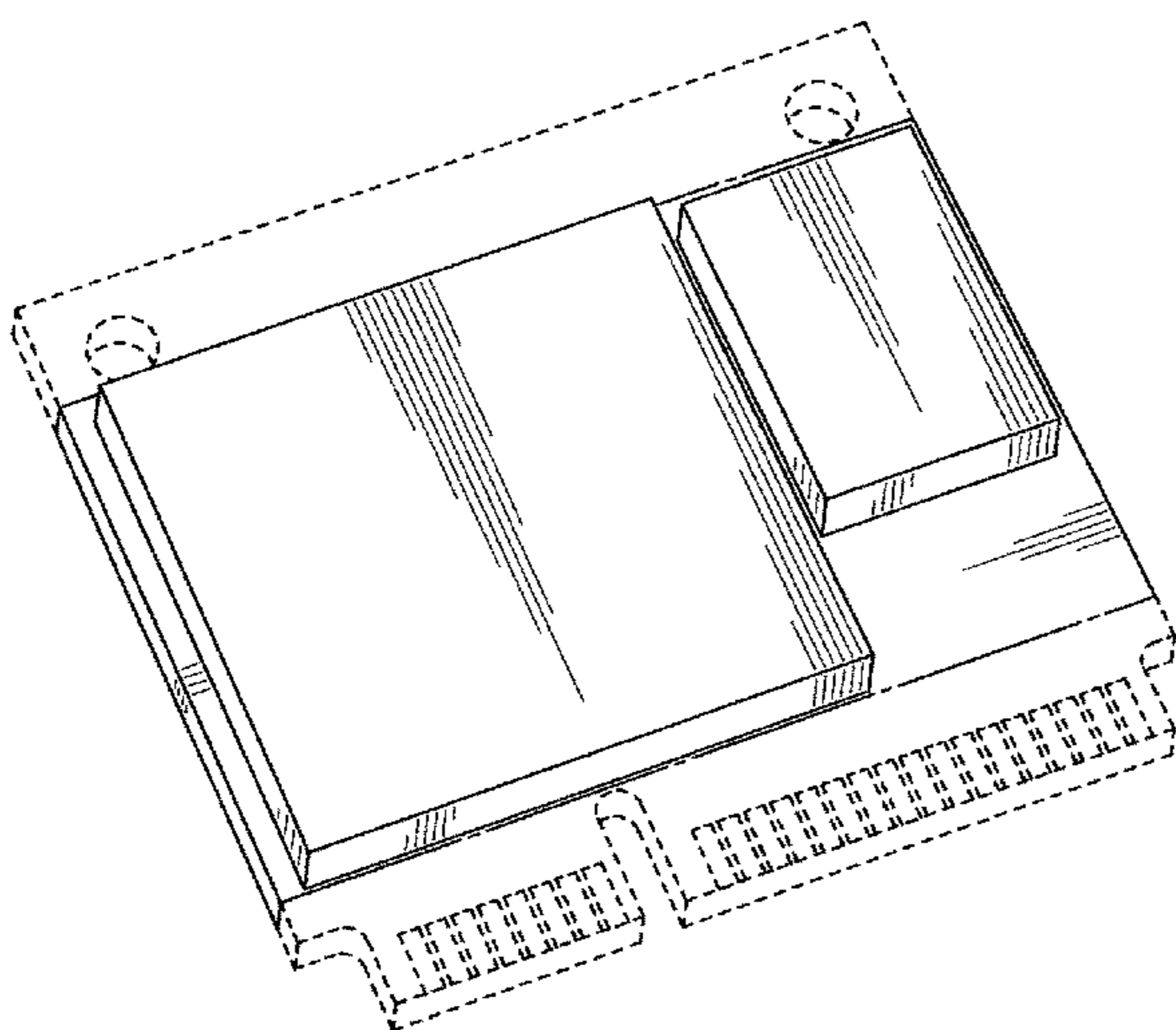
FIG. 6 is a bottom plan view thereof;

FIG. 7 is a left side elevational view thereof; and,

FIG. 8 is a rear elevational view thereof.

The uneven spaced broken lines define the bounds of the claimed design and form no part thereof. The even spaced broken line showing of the substrate for an electronic circuit is for illustrative purpose only and forms no part of the claimed design.

1 Claim, 3 Drawing Sheets



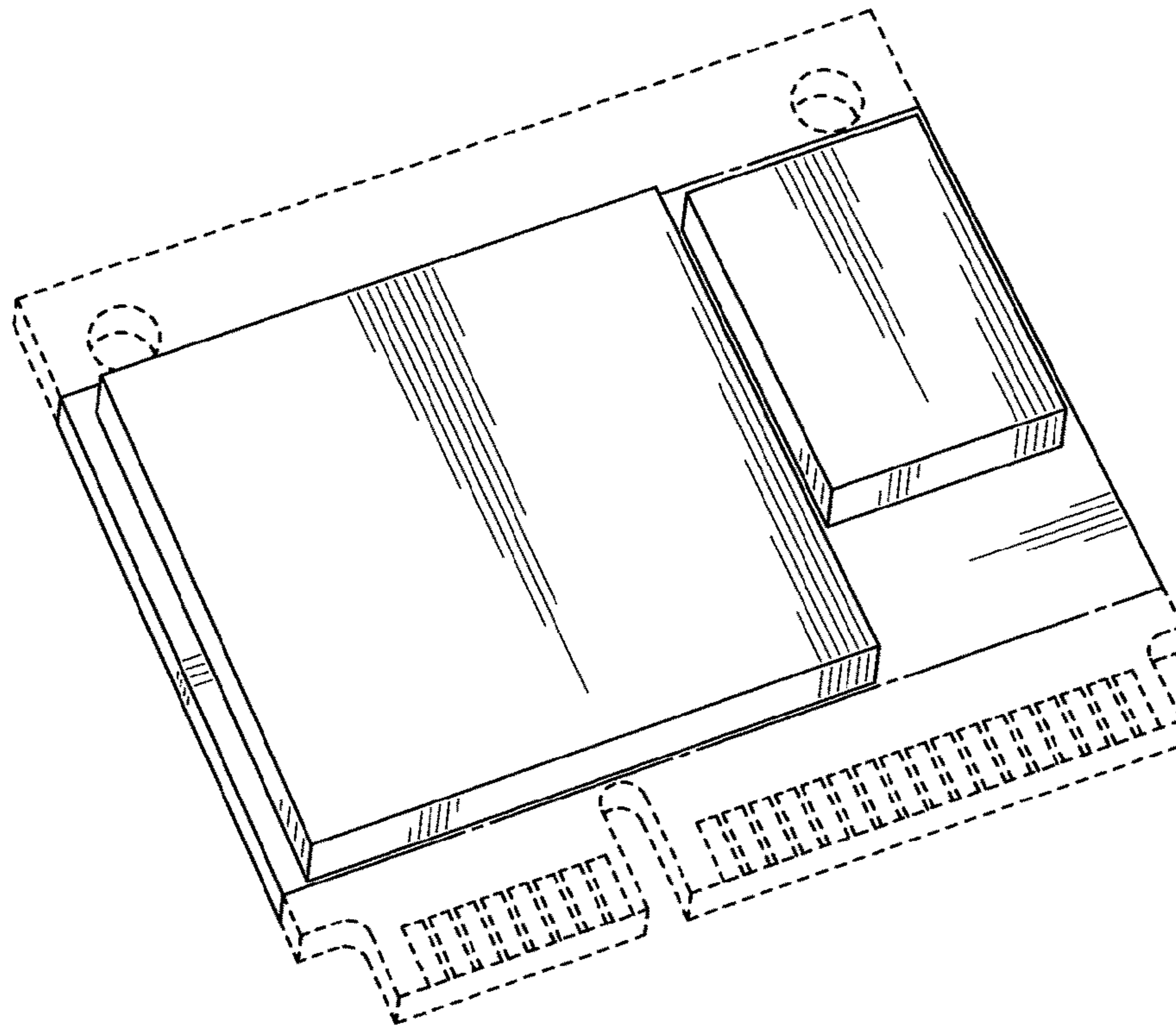


FIG. 1

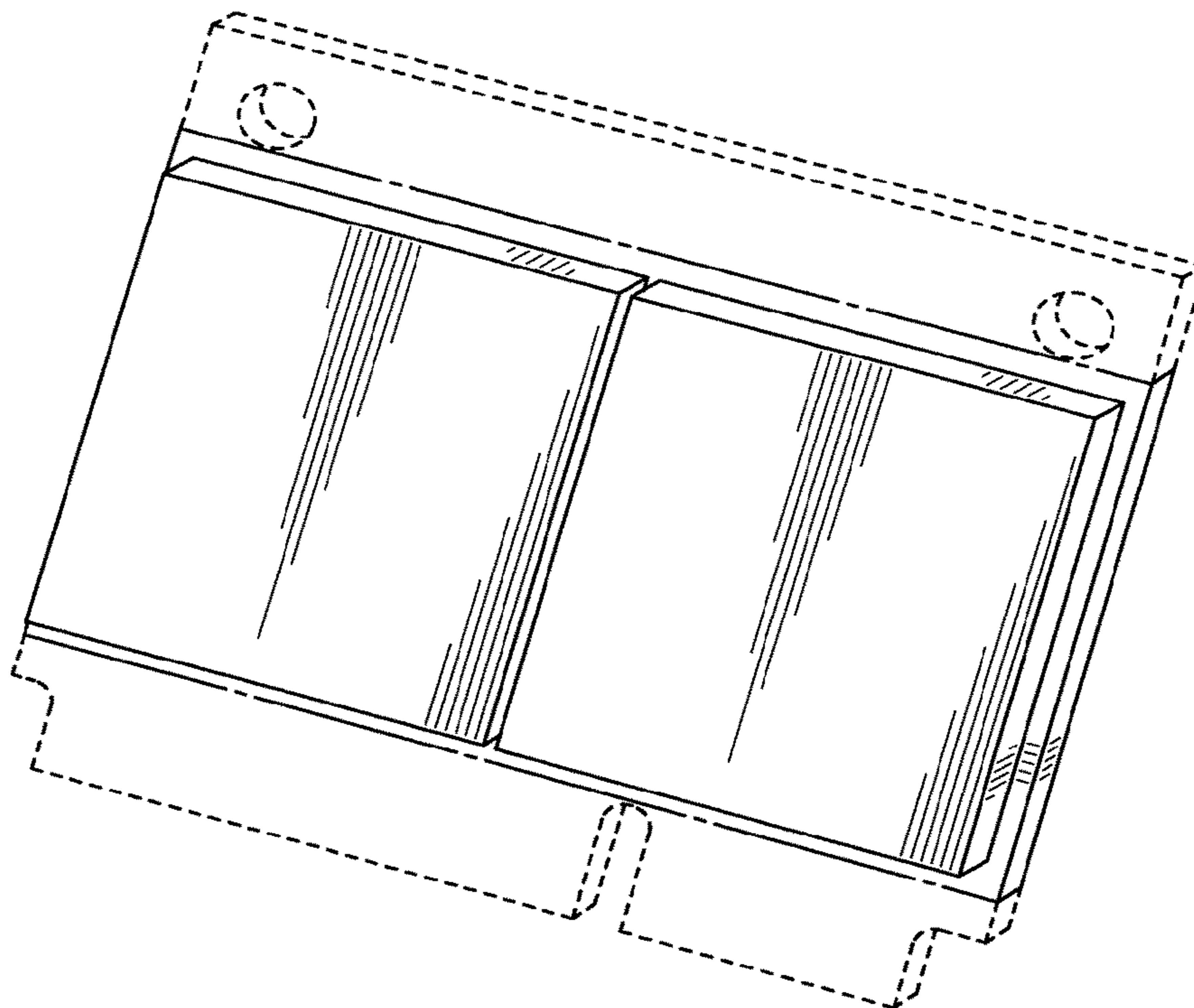


FIG. 2

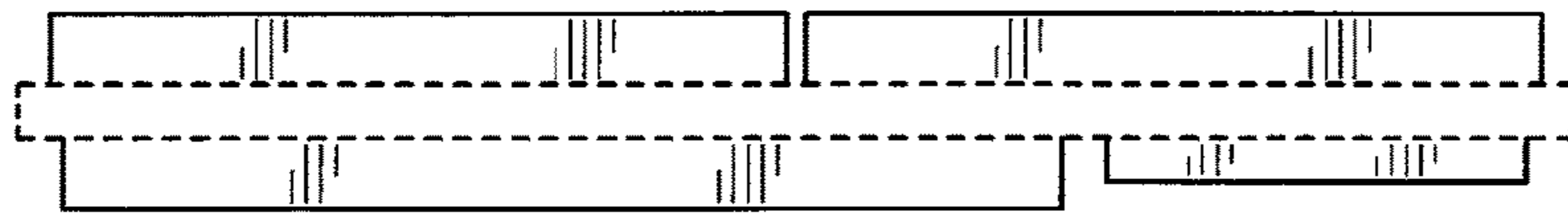


FIG. 3

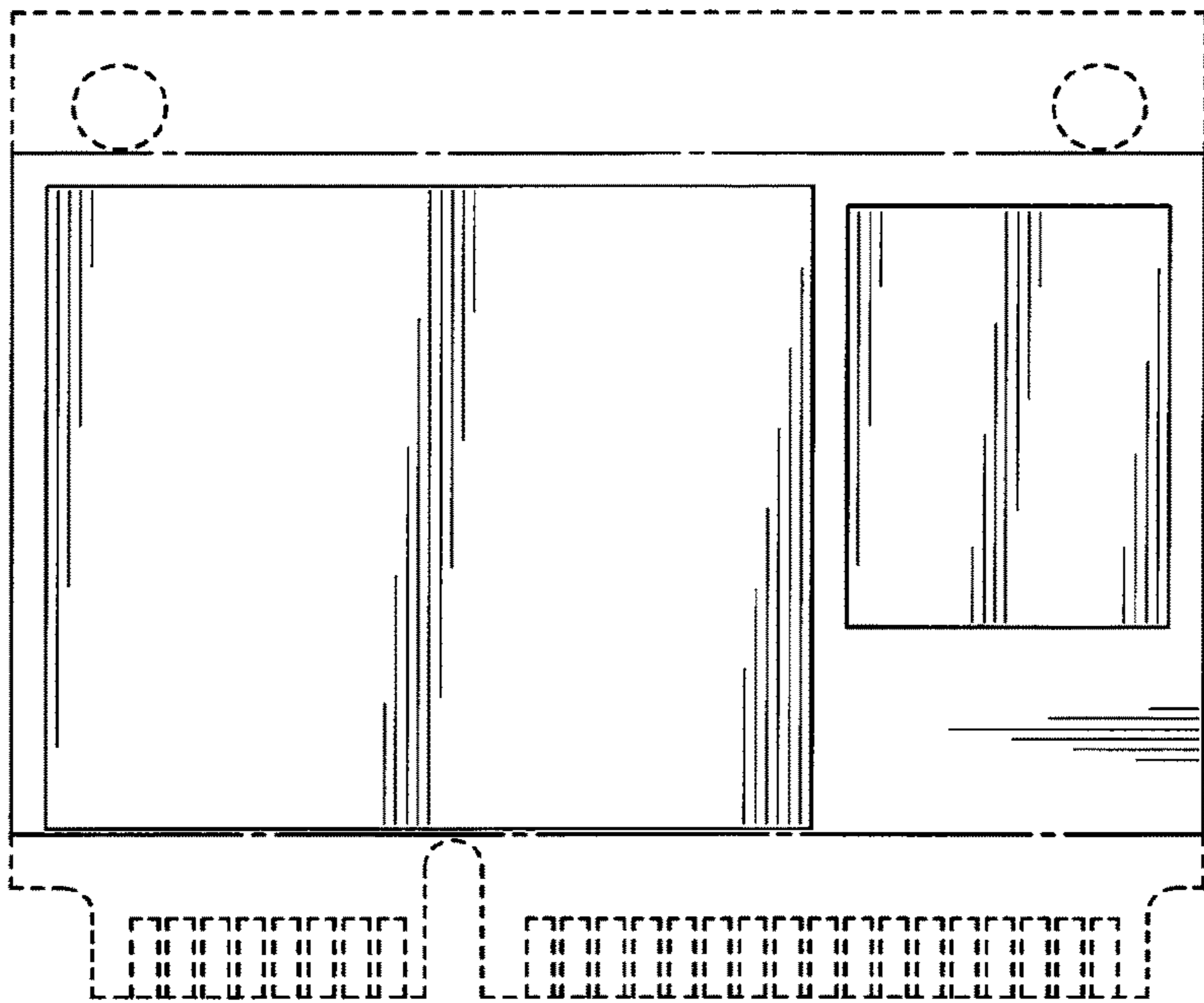


FIG. 4

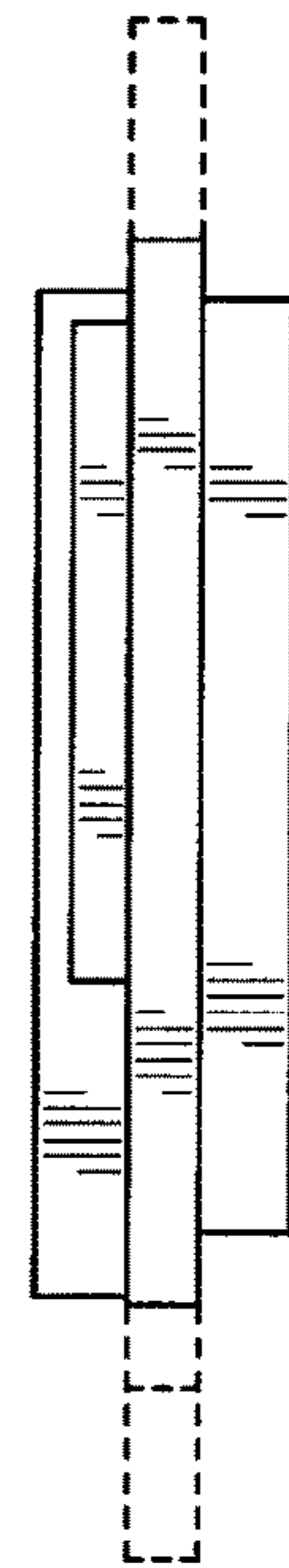


FIG. 5

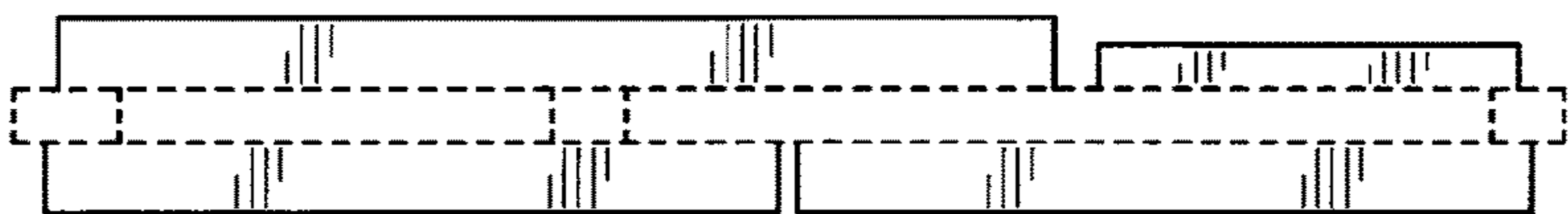


FIG. 6

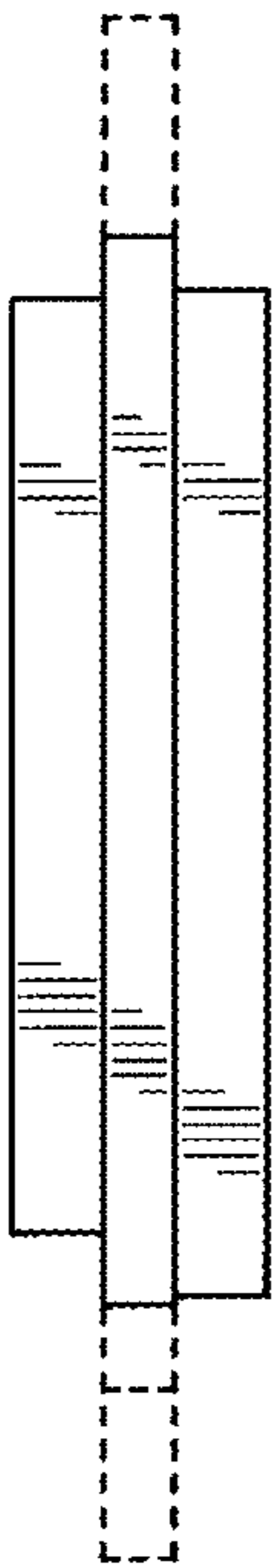


FIG. 7

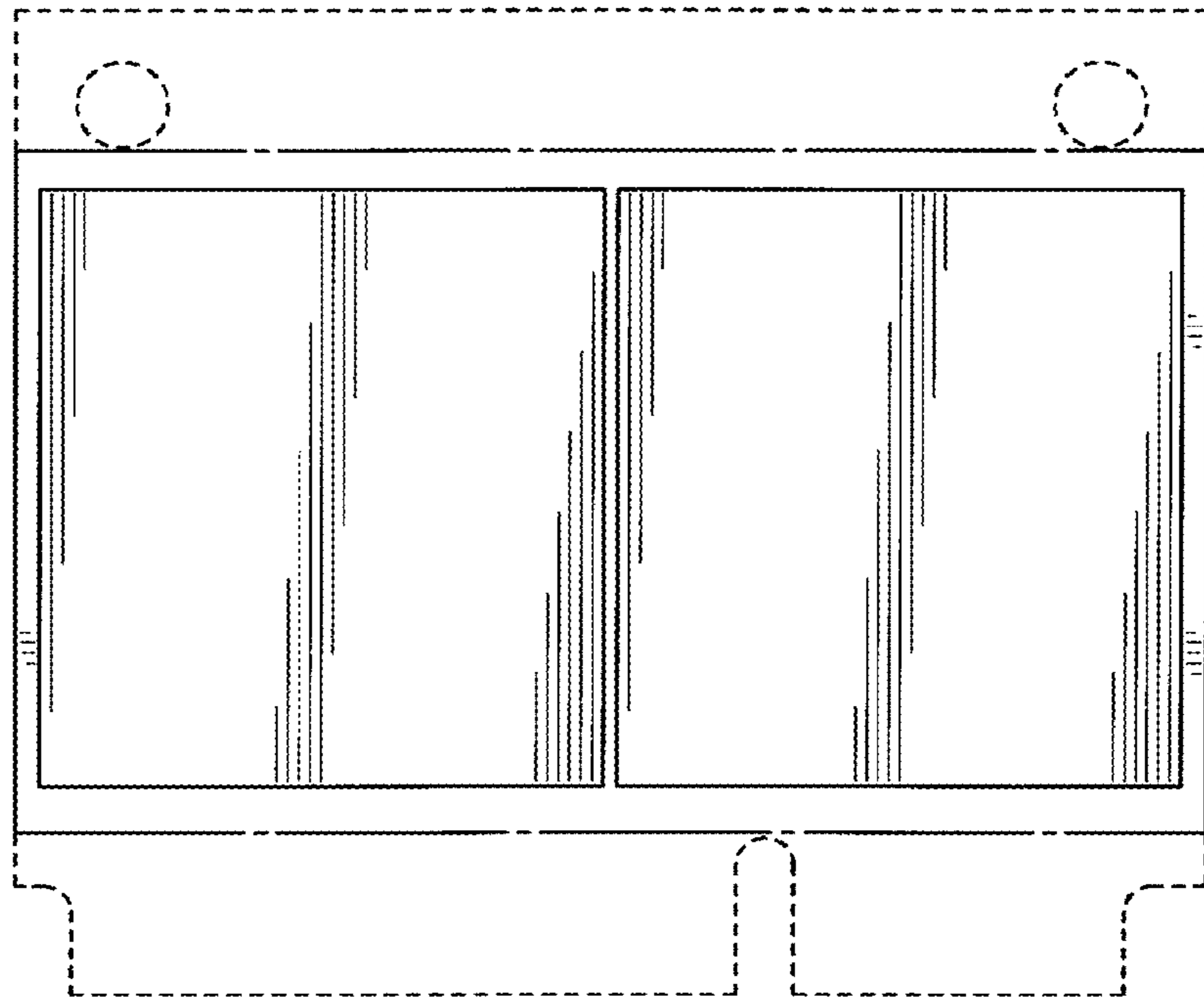


FIG. 8