



US00D673917S

(12) **United States Design Patent**  
**Dicaire et al.**

(10) **Patent No.:** **US D673,917 S**  
(45) **Date of Patent:** **\*\* Jan. 8, 2013**

(54) **TERMINAL BLOCK**

(75) Inventors: **Andre A. Dicaire**, Round Rock, TX (US); **Bernie Larson**, Round Rock, TX (US); **Kent Allan Burr**, Round Rock, TX (US)

(73) Assignee: **Fisher-Rosemount Systems, Inc.**, Round Rock, TX (US)

(\*\*) Term: **14 Years**

(21) Appl. No.: **29/375,787**

(22) Filed: **Sep. 27, 2010**

(51) **LOC (9) Cl.** ..... **13-03**

(52) **U.S. Cl.** ..... **D13/154**

(58) **Field of Classification Search** ..... D13/118,  
D13/120, 133, 147, 154, 156, 158, 161, 173,  
D13/174, 175, 176, 177, 178, 184, 199;  
439/849-850, 852, 870, 877, 884-885, 887-892,  
439/894

See application file for complete search history.

(56) **References Cited**

**U.S. PATENT DOCUMENTS**

D281,415 S *	11/1985	Nusse .....	D13/147
D332,253 S *	1/1993	Bossard et al. ....	D13/156
D365,547 S *	12/1995	Steinwachs et al. ....	D13/178
D437,297 S *	2/2001	Hubler et al. ....	D13/162
D437,583 S *	2/2001	Hubler et al. ....	D13/162
D442,557 S *	5/2001	Hubler et al. ....	D13/162
D463,384 S *	9/2002	Hu .....	D13/199
D471,876 S *	3/2003	Jaag .....	D13/154

D567,191 S *	4/2008	Eichinger .....	D13/171
D591,185 S *	4/2009	Garcia-Maurino Delas ..	D10/99
D627,740 S *	11/2010	Wu et al. ....	D13/154

**OTHER PUBLICATIONS**

Non-Final Office Action issued by the United States Patent and Trademark Office on May 3, 2012, in connection with U.S. Appl. No. 29/375,785 (5 pages).

United States Patent and Trademark Office, "Notice of Allowance," issued in connection with U.S. Appl. No. 29/375,785, mailed on Sep. 26, 2012, 14 pages.

\* cited by examiner

*Primary Examiner* — Daniel Bui

(74) *Attorney, Agent, or Firm* — Hanley, Flight & Zimmerman, LLC

(57) **CLAIM**

The ornamental design for a terminal block, as shown and described.

**DESCRIPTION**

FIG. 1 is a top and side perspective view of a terminal block showing our new design;

FIG. 2 is a top plan view thereof;

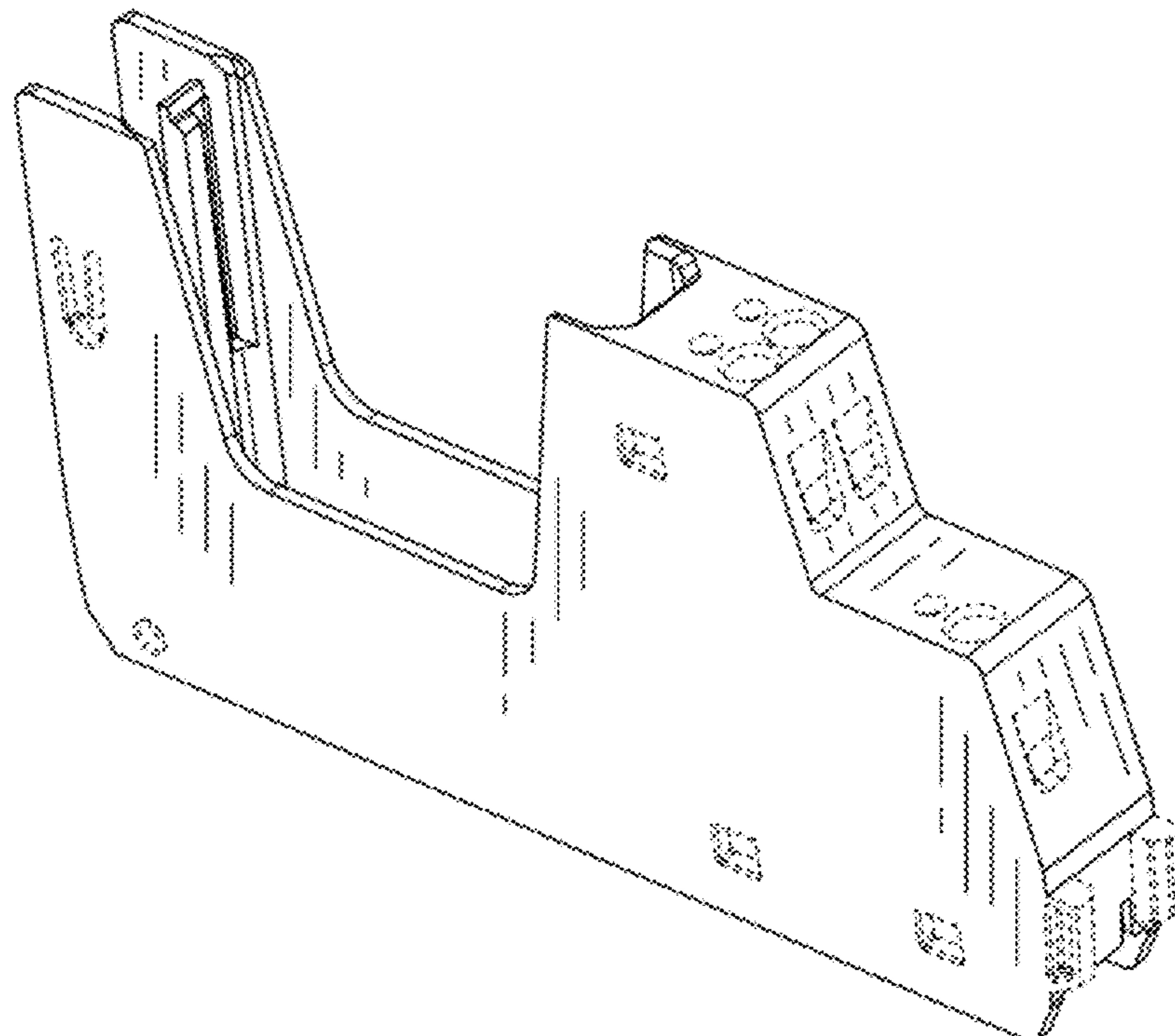
FIG. 3 is another top and side perspective view thereof;

FIG. 4 is a top plan view thereof; and,

FIG. 5 is a side elevation view thereof.

The broken line portion of the figure drawings is included for the purpose of illustrating environment and forms no part of the claimed design.

**1 Claim, 5 Drawing Sheets**



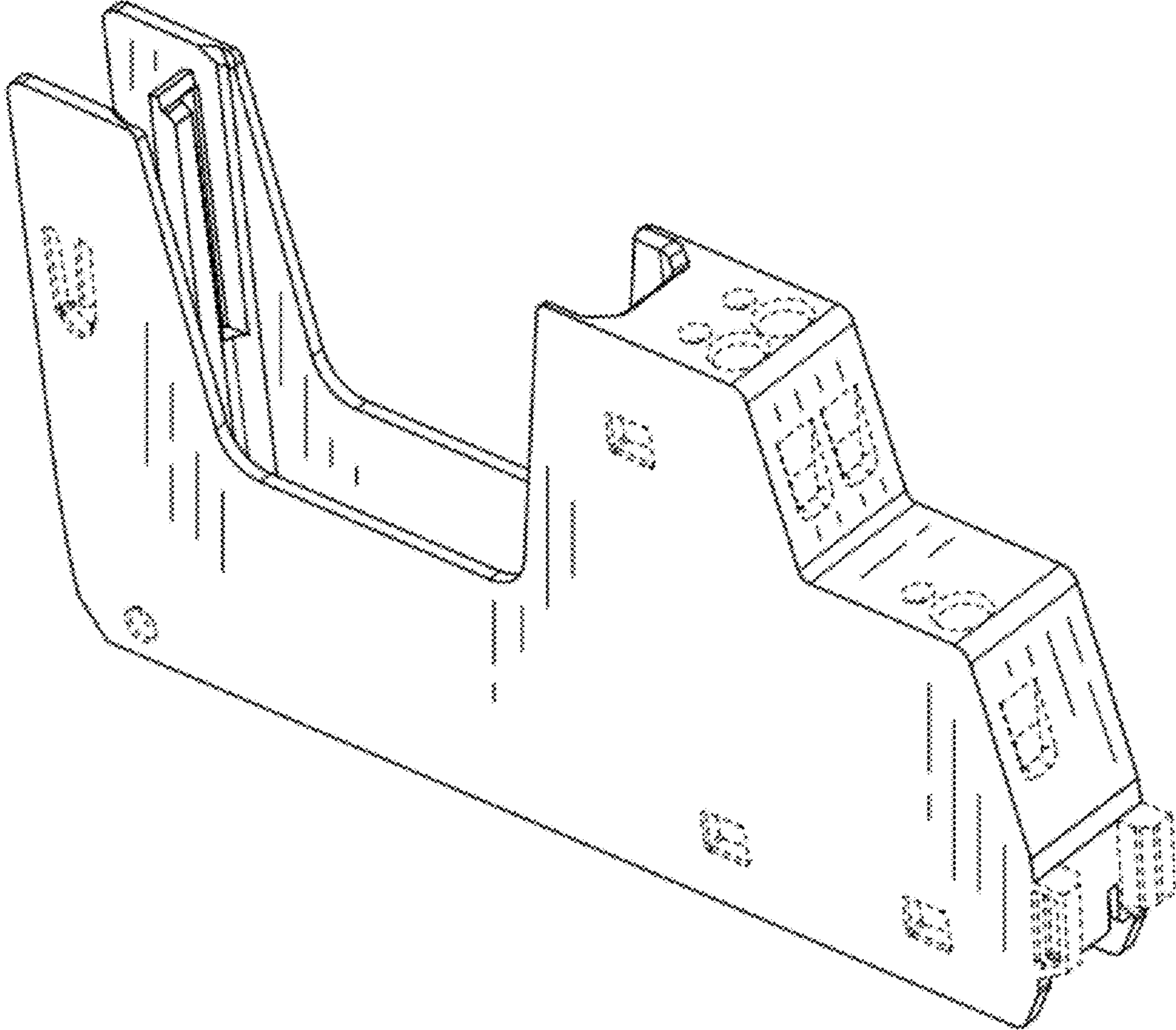


FIG. 1



FIG. 2

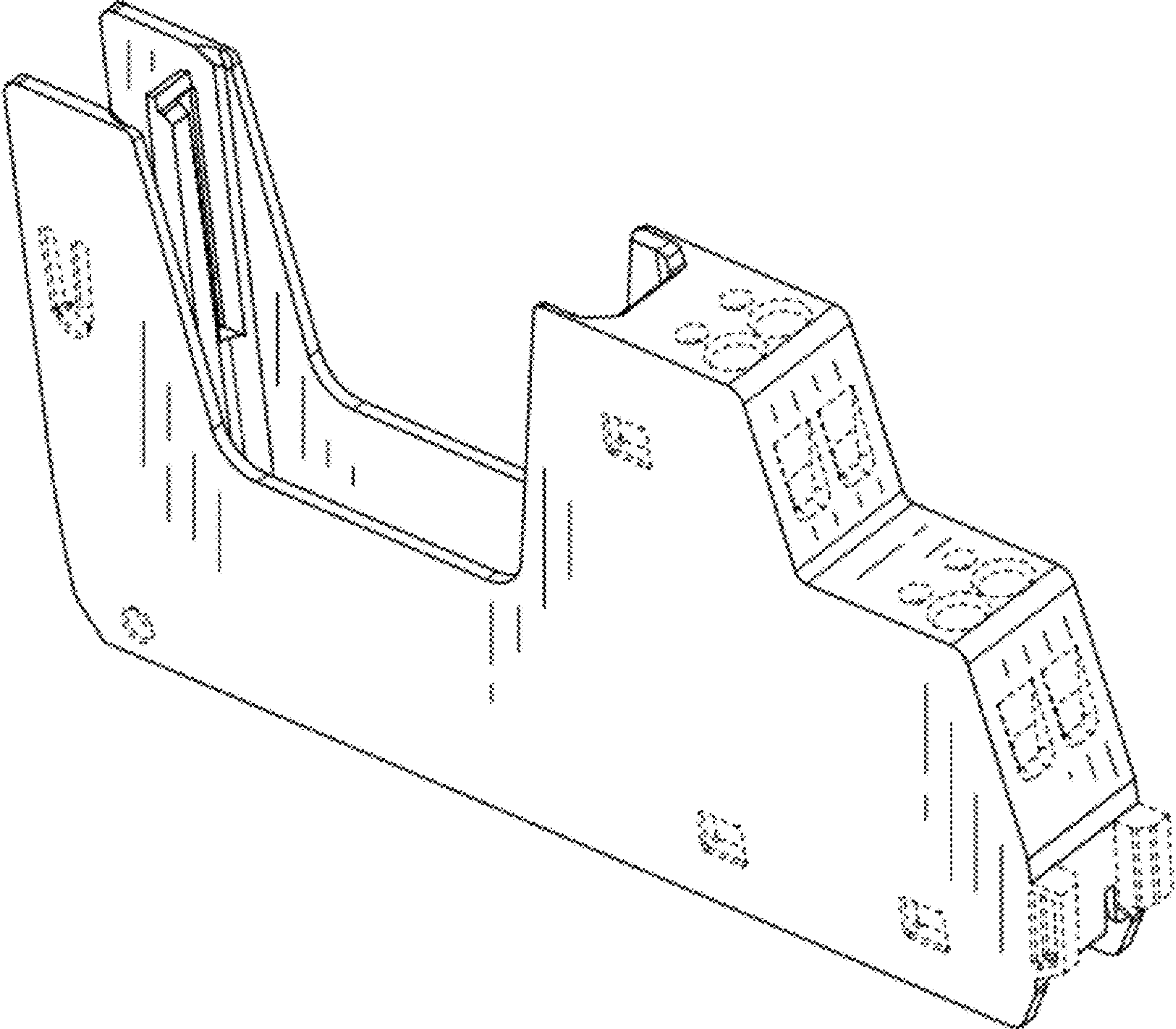


FIG. 3



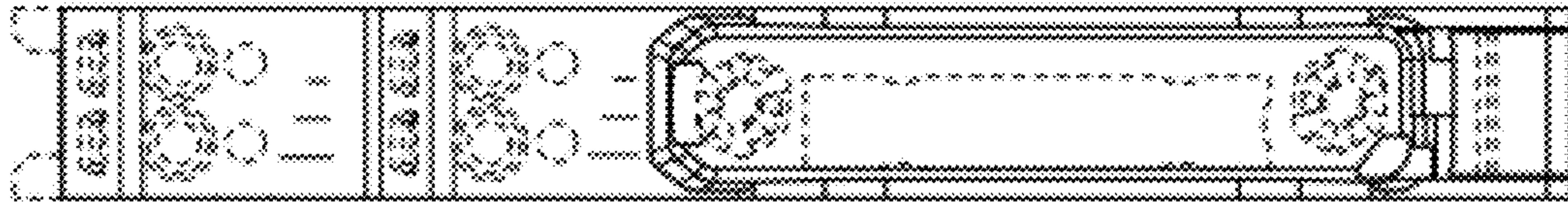


FIG. 4

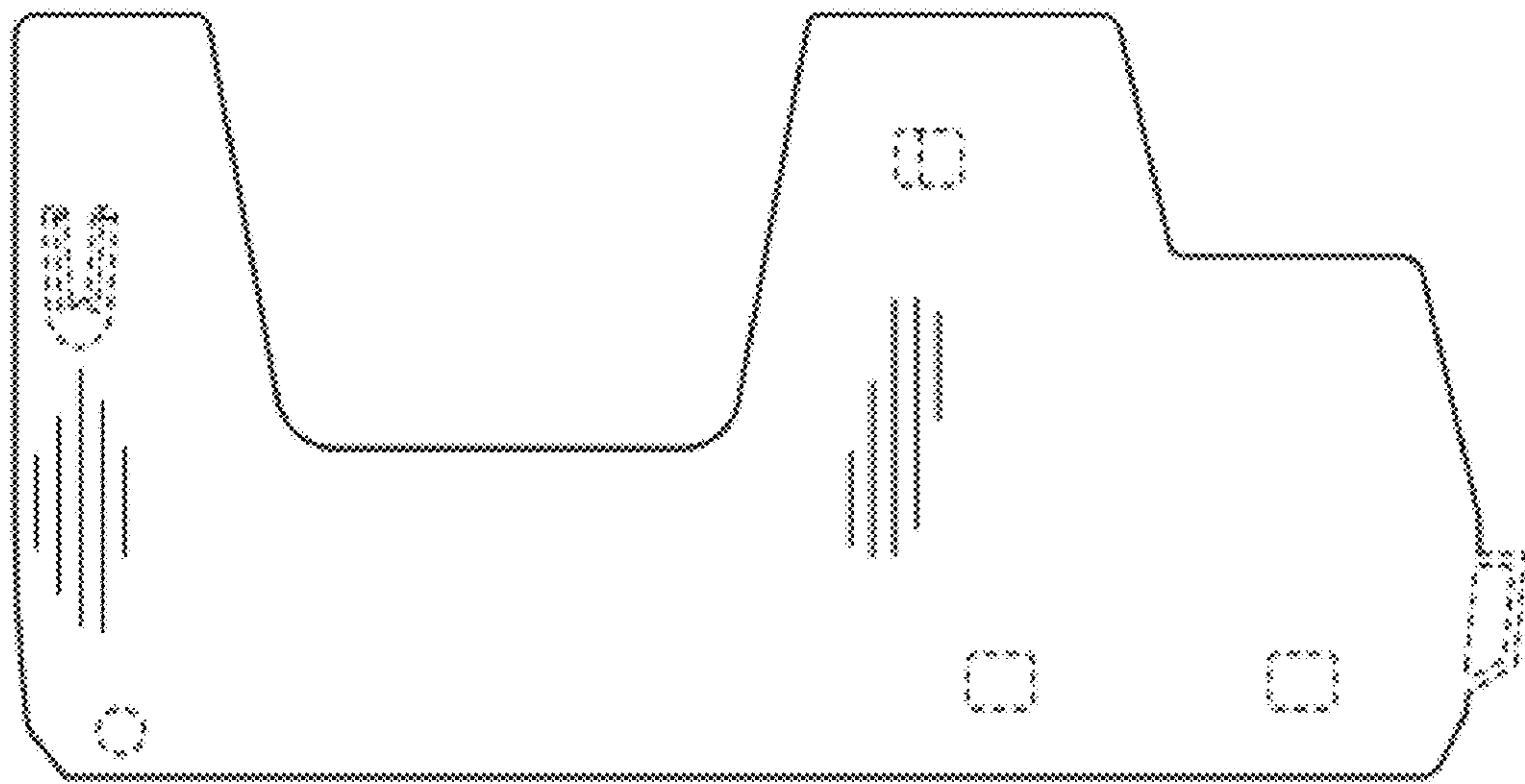


FIG. 5