



US00D673915S

(12) **United States Design Patent**
Regnier

(10) **Patent No.:** **US D673,915 S**

(45) **Date of Patent:** **** Jan. 8, 2013**

(54) **CABLE SPLITTER**

(76) Inventor: **Joseph G. Regnier**, Chicago, IL (US)

(**) Term: **14 Years**

(21) Appl. No.: **29/412,524**

(22) Filed: **Feb. 3, 2012**

(51) **LOC (9) Cl.** **13-03**

(52) **U.S. Cl.** **D13/151**

(58) **Field of Classification Search** D13/151,
D13/133, 146, 147, 148, 150, 154, 158, 173,
D13/184, 199; D14/125, 217, 239, 299;
174/50.52, 51, 59, 60, 61, 62, 63, 64, 528;
333/100, 101, 206; 439/55, 63, 578, 579,
439/580

See application file for complete search history.

(56) **References Cited**

U.S. PATENT DOCUMENTS

3,676,744	A	7/1972	Pennypacker	
D301,243	S *	5/1989	Chino	D14/217
4,851,609	A *	7/1989	Reddy	174/371
D396,691	S *	8/1998	Shen	D13/147
D404,713	S *	1/1999	Hsiang	D13/147
D409,985	S *	5/1999	Hsiang	D13/151
D452,682	S	1/2002	Inoue	
D452,850	S	1/2002	Inoue	
6,626,352	B2	9/2003	Li	
6,790,049	B2	9/2004	Kaylie et al.	
6,969,278	B2 *	11/2005	Shapson	439/579
D520,952	S	5/2006	Oraha	

D532,385	S	11/2006	Shapson	
D536,669	S	2/2007	Pickens	
D546,292	S	7/2007	Shapson	
D607,413	S *	1/2010	Egan et al.	D13/151
D607,414	S	1/2010	Egan et al.	
D623,598	S	9/2010	Kondo	
7,841,871	B2	11/2010	Walter et al.	
2007/0040948	A1	2/2007	Shapson	

* cited by examiner

Primary Examiner — Derrick Holland

(74) *Attorney, Agent, or Firm* — Vedder Price PC

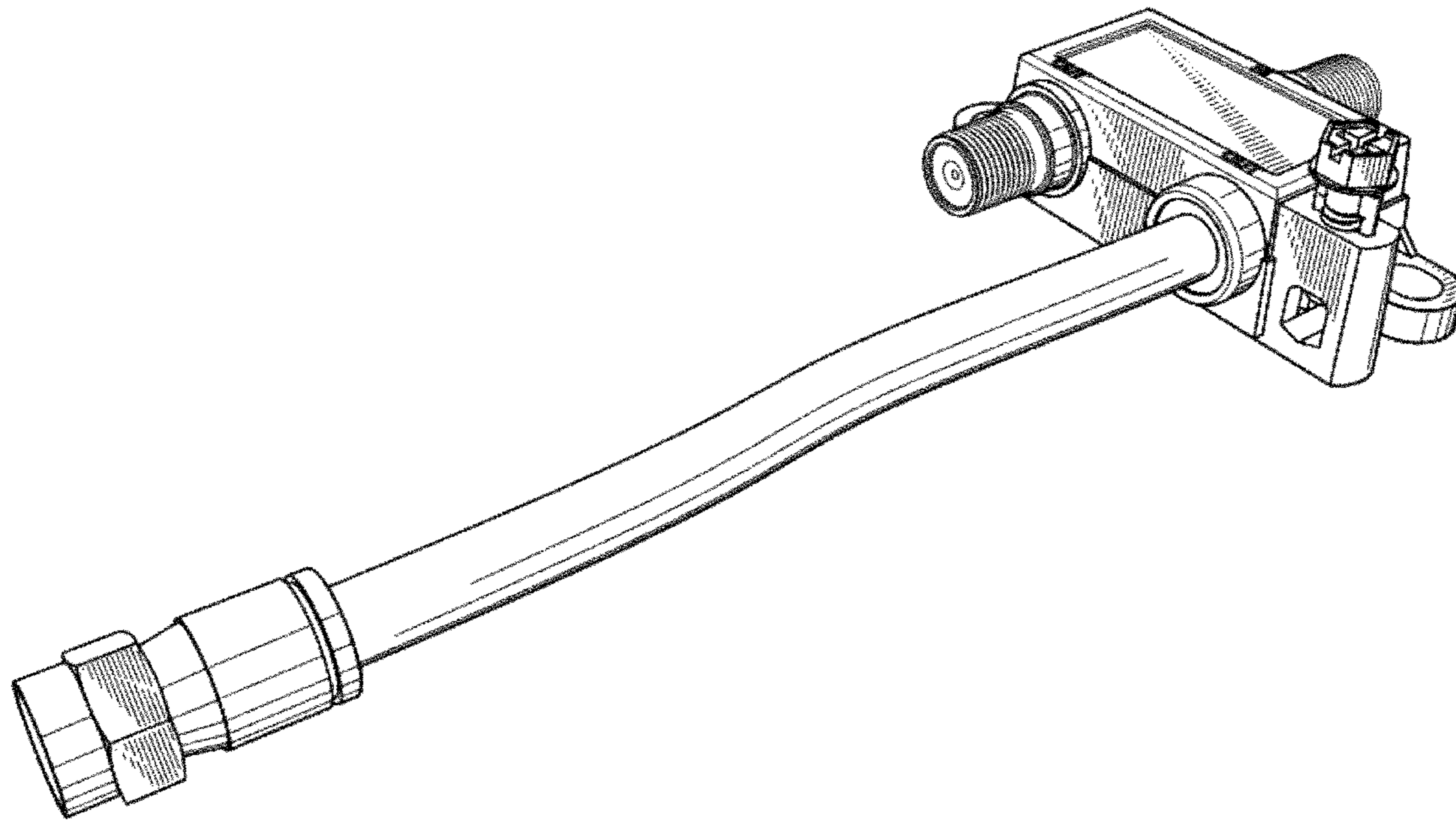
(57) **CLAIM**

The ornamental design for a cable splitter, as shown and described.

DESCRIPTION

FIG. 1 is an isometric view of the cable splitter;
FIG. 2 is a top view of the cable splitter as shown at FIG. 1;
FIG. 3 is a bottom view of the cable splitter as shown at FIG. 1;
FIG. 4 is a left side view of the cable splitter as shown at FIG. 1;
FIG. 5 is a right side view of the cable splitter as shown at FIG. 1;
FIG. 6 is a front view of the cable splitter as shown at FIG. 1;
and,
FIG. 7 is a back view of the cable splitter as shown at FIG. 1.

1 Claim, 3 Drawing Sheets



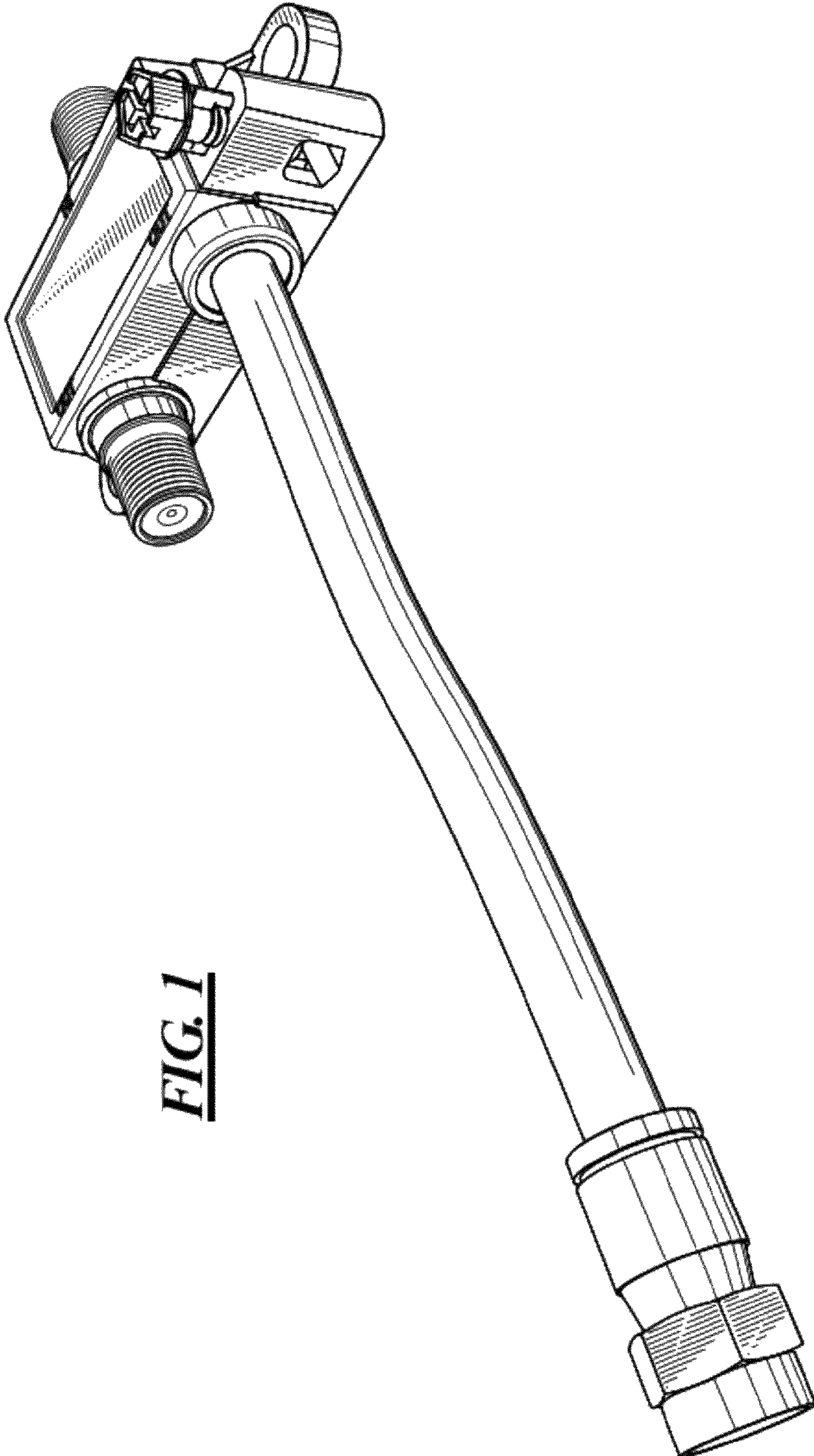


FIG. 1

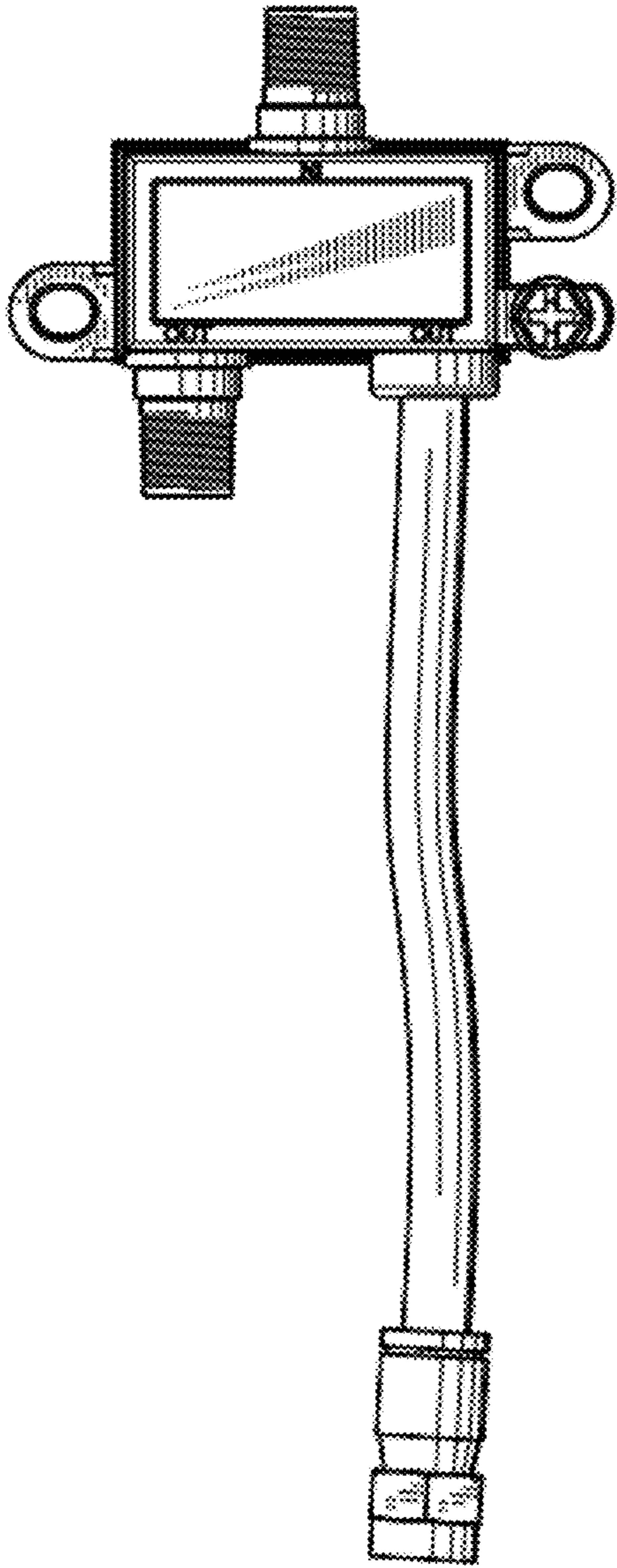


FIG. 2

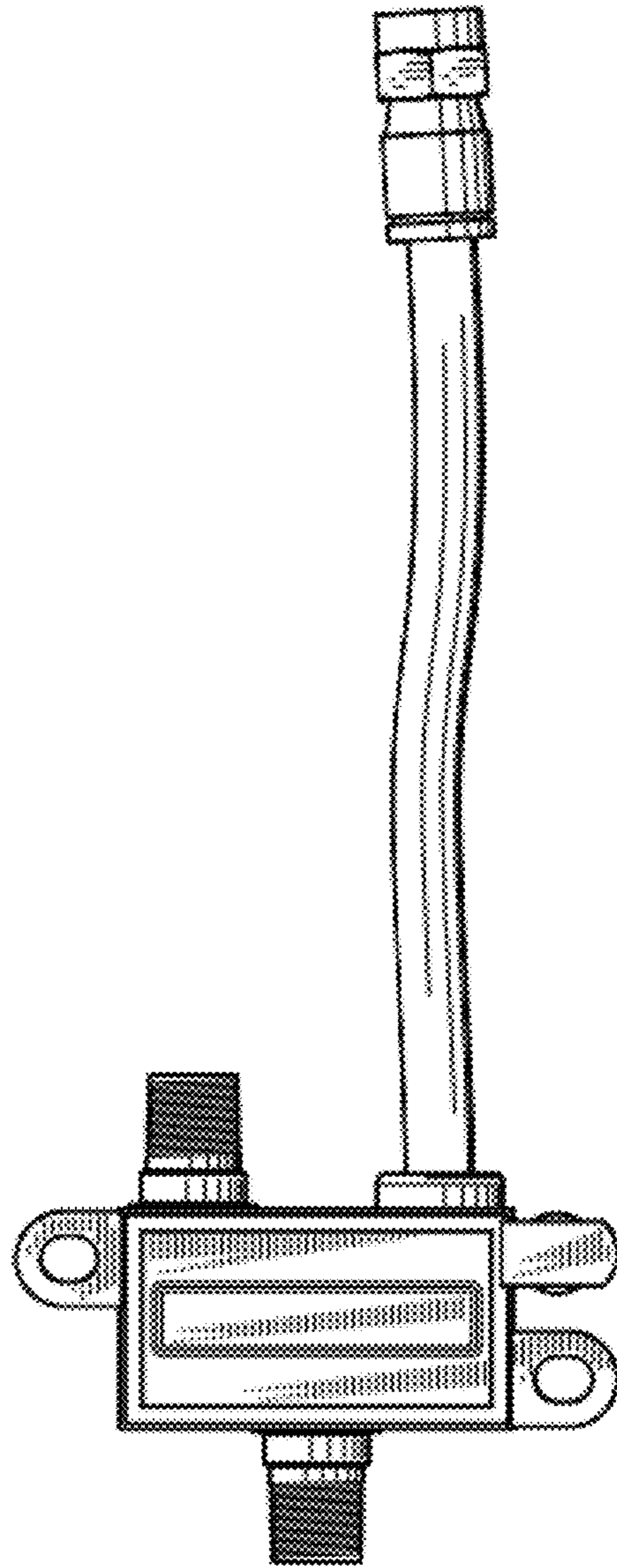


FIG. 3

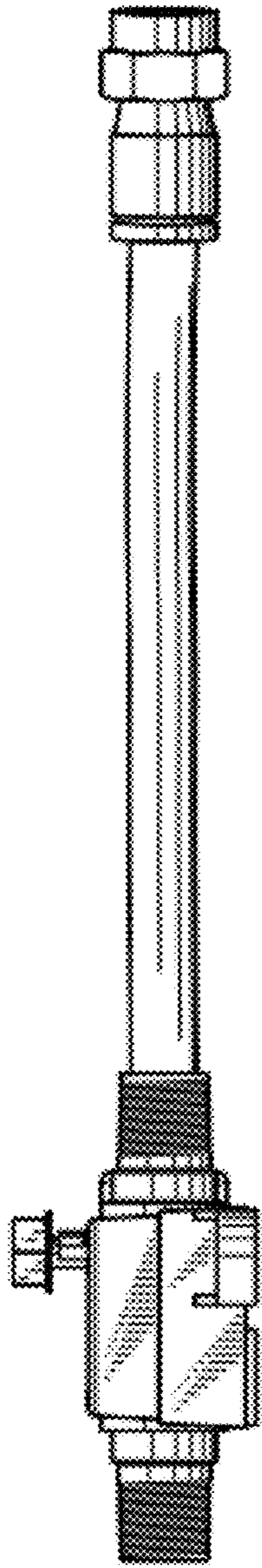


FIG. 4

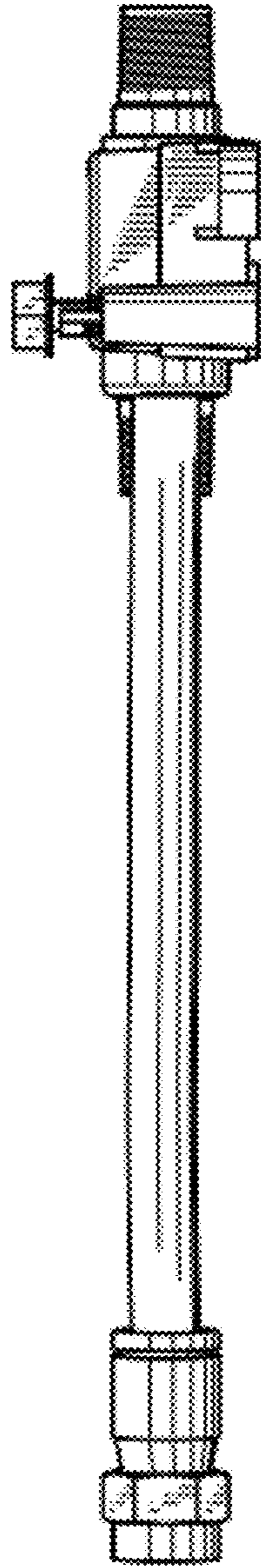


FIG. 5

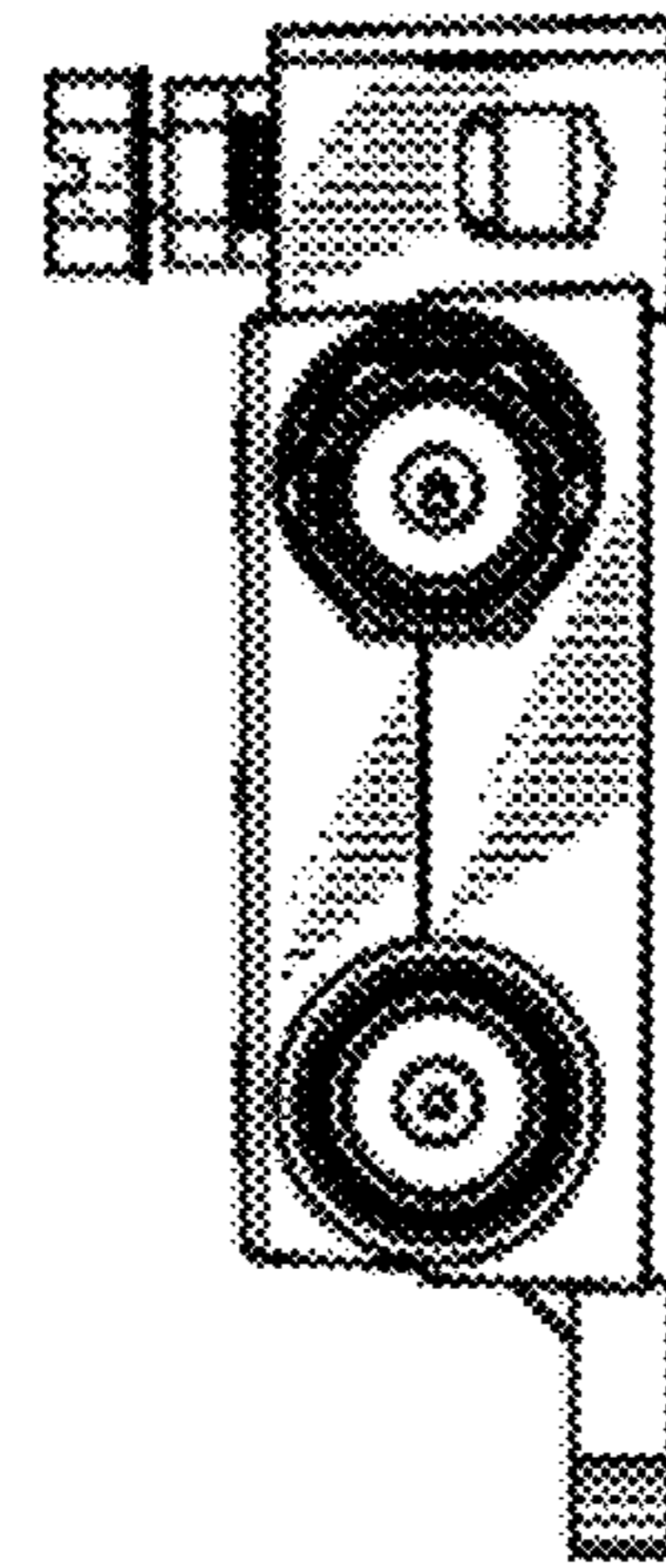


FIG. 6

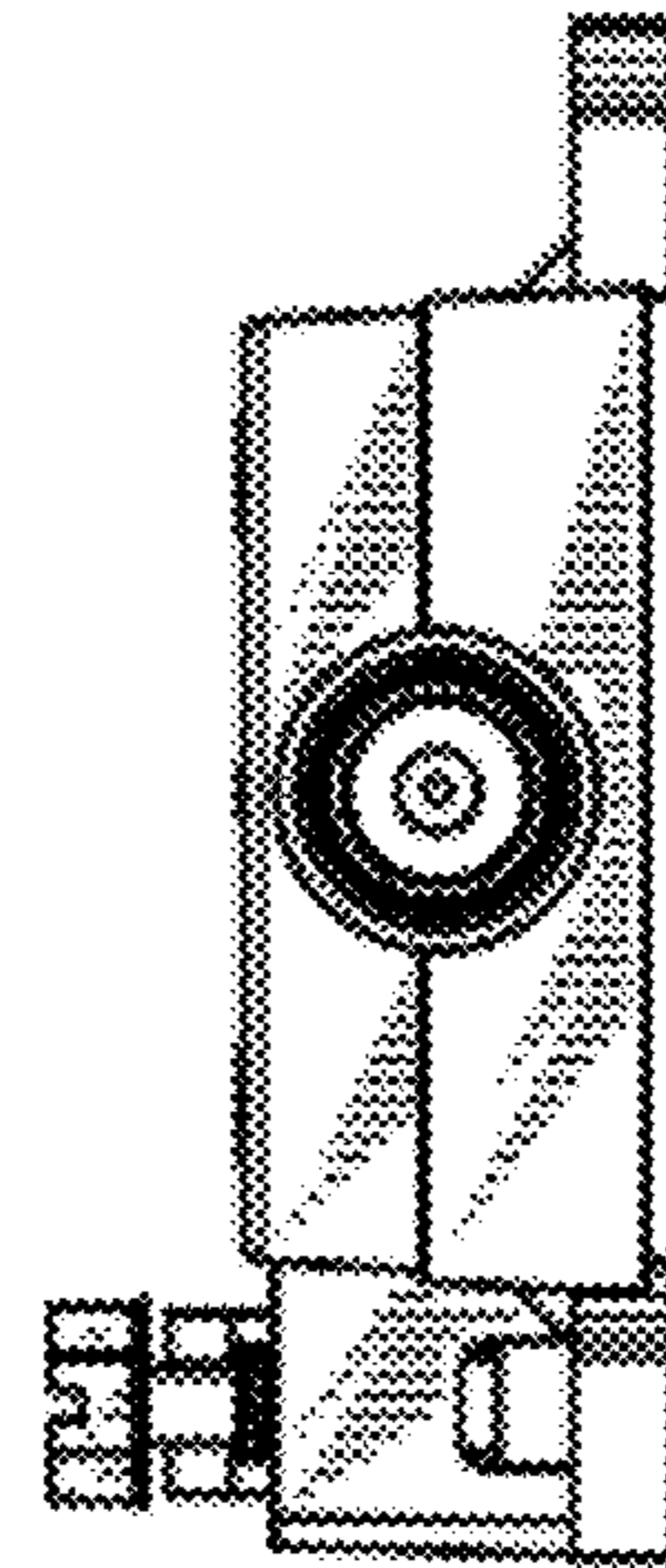


FIG. 7