



US00D673913S

(12) **United States Design Patent**  
**Kajiura et al.**

(10) **Patent No.:** **US D673,913 S**  
(45) **Date of Patent:** **\*\* Jan. 8, 2013**

(54) **ELECTRICAL CONNECTOR**

(75) Inventors: **Motomu Kajiura**, Tokyo (JP);  
**Yasutoshi Kameda**, Kisarazu (JP);  
**Jeffery Gervais**, Beaverton, OR (US)  
(73) Assignees: **FCI**, Guyancourt (FR); **FCI Americas**  
**Technology LLC**, Carson City, NV (US)  
(\*\*) Term: **14 Years**

(21) Appl. No.: **29/393,276**

(22) Filed: **Jun. 1, 2011**

(51) **LOC (9) Cl.** ..... **13-03**

(52) **U.S. Cl.** ..... **D13/147**

(58) **Field of Classification Search** ..... D13/120,  
D13/133, 146, 147, 154, 184, 199; 439/839,  
439/849-850, 852, 862, 870, 877, 884-885,  
439/887-891

See application file for complete search history.

(56) **References Cited**

U.S. PATENT DOCUMENTS

3,612,747	A	10/1971	Shlesinger, Jr.	
D227,767	S *	7/1973	Gillespie	D13/147
4,171,858	A *	10/1979	Knowles et al.	439/397
4,560,226	A	12/1985	Dennis	
4,749,368	A *	6/1988	Mouissie	439/421
5,567,545	A	10/1996	Murakami	
5,631,098	A	5/1997	Suzuki	
D408,353	S	4/1999	Yoshiura	
D409,143	S	5/1999	Yoshiura	
D410,226	S	5/1999	Yoshiura	
6,083,059	A	7/2000	Kuan	
6,129,168	A	10/2000	Lotito et al.	
D447,122	S	8/2001	Harasawa et al.	
6,315,621	B1	11/2001	Natori et al.	
D473,192	S	4/2003	Ouchi et al.	
D481,996	S	11/2003	Kihira et al.	
D485,807	S	1/2004	Kao et al.	
6,835,089	B2	12/2004	Hayes et al.	
6,932,382	B2	8/2005	Hayes et al.	
7,001,205	B2 *	2/2006	Godefroy et al.	439/422
D528,985	S	9/2006	Peng	
D529,443	S *	10/2006	Chien	D13/147

D530,679	S	10/2006	Li et al.	
D538,228	S	3/2007	Wang et al.	
D555,093	S	11/2007	Chien et al.	
D555,095	S	11/2007	Ho	
D555,096	S	11/2007	Peng	
D555,131	S	11/2007	Kim et al.	
D556,131	S	11/2007	Chien	
D556,135	S	11/2007	Dwan et al.	
D559,180	S *	1/2008	Lai et al.	D13/120
7,335,068	B2	2/2008	Dwan et al.	
D568,246	S	5/2008	Wu et al.	
D568,248	S	5/2008	Chen et al.	
D569,343	S	5/2008	Hung et al.	

(Continued)

OTHER PUBLICATIONS

U.S. Appl. No. 13/226,864, filed Sep. 7, 2011, de Bruijn et al.

(Continued)

*Primary Examiner* — Daniel Bui

(74) *Attorney, Agent, or Firm* — Woodcock Washburn LLP

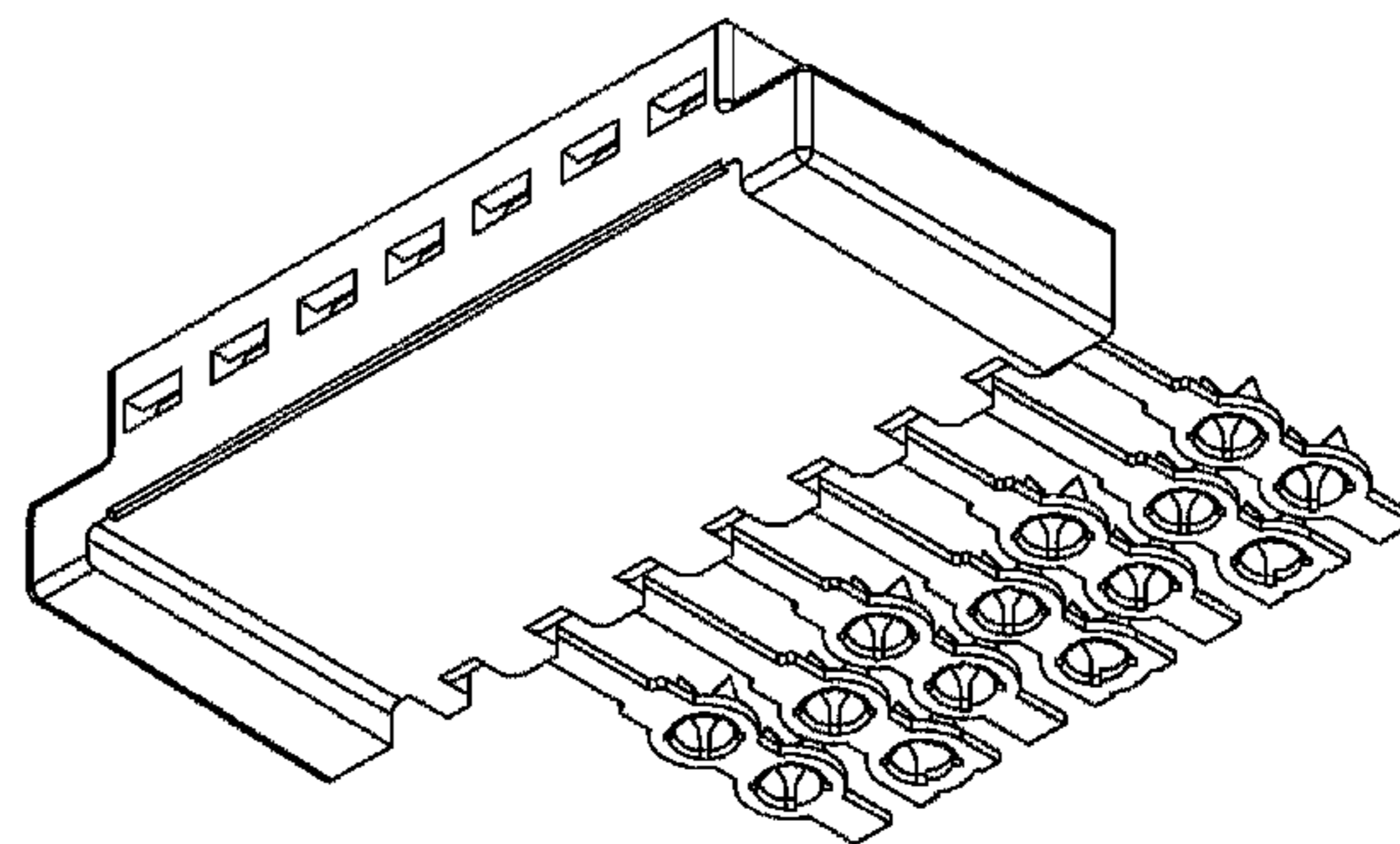
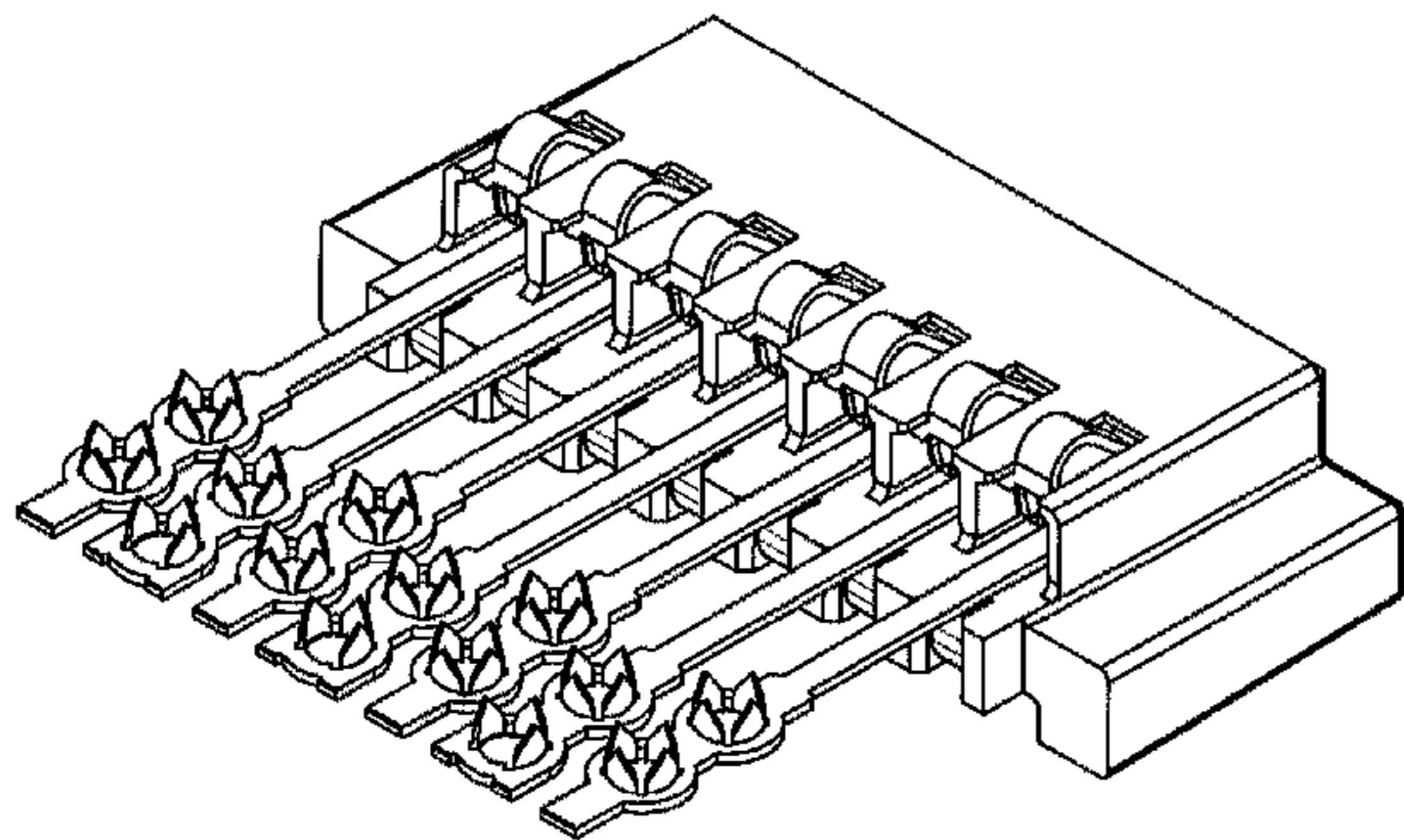
(57) **CLAIM**

The ornamental design for an electrical connector, as shown and described.

**DESCRIPTION**

The present application is related by subject matter to design patent applications entitled "Housing for Electrical Connector" and filed on even date herewith application Ser. No. 29/393,268, pending and "Electrical Connector" and filed on even date herewith application Ser. No. 29/393,280, pending. FIG. 1 is a top, right, front perspective view for an electrical connector showing our new design; FIG. 2 is a bottom, left, rear perspective view thereof; FIG. 3 is a front elevation view thereof; FIG. 4 is a rear elevation view thereof; FIG. 5 is a left side elevation view thereof; FIG. 6 is a right side elevation view thereof; FIG. 7 is a top plan view thereof; and, FIG. 8 is a bottom plan view thereof.

**1 Claim, 3 Drawing Sheets**



# US D673,913 S

Page 2

## U.S. PATENT DOCUMENTS

D569,801 S 5/2008 Chuang  
D569,802 S 5/2008 Long et al.  
D570,288 S 6/2008 Ma et al.  
D582,348 S 12/2008 Shiu  
D584,231 S 1/2009 Wu  
D584,237 S 1/2009 Zhu  
D586,294 S 2/2009 Lung  
D596,575 S 7/2009 Chen et al.  
D601,970 S 10/2009 Peng et al.  
D601,971 S 10/2009 Chen et al.  
D603,795 S 11/2009 Kono  
D605,137 S 12/2009 Yu et al.  
D607,834 S 1/2010 Huang  
D607,835 S 1/2010 Huang  
D608,295 S 1/2010 Huang  
7,662,507 B2 2/2010 Schwendinger et al.  
D614,493 S 4/2010 Creed et al.  
D614,507 S 4/2010 Lukan et al.  
D614,583 S 4/2010 Wang  
D615,493 S 5/2010 Kalis  
D615,943 S 5/2010 Kang et al.  
D618,173 S 6/2010 Wang et al.  
D619,538 S 7/2010 Peng  
D642,981 S \* 8/2011 de Bruijn et al. .... D13/120  
D644,177 S \* 8/2011 de Bruijn et al. .... D13/120

D647,863 S \* 11/2011 Su et al. .... D13/154  
D649,517 S \* 11/2011 de Bruijn et al. .... D13/147  
2004/0038121 A1 2/2004 Song et al.  
2007/0243458 A1 10/2007 Roehm et al.  
2008/0193837 A1 8/2008 Lu

## OTHER PUBLICATIONS

U.S. Appl. No. 29/369,322, filed Sep. 7, 2010, de Bruijn et al.  
U.S. Appl. No. 29/369,327, filed Sep. 7, 2010, de Bruijn et al.  
U.S. Appl. No. 29/369,333, filed Sep. 7, 2010, de Bruijn et al.  
U.S. Appl. No. 29/384,323, filed Jan. 28, 2011, de Bruijn et al.  
U.S. Appl. No. 29/384,325, filed Jan. 28, 2011, de Bruijn et al.  
U.S. Appl. No. 29/393,268, filed Jun. 1, 2011, Kajiura et al.  
U.S. Appl. No. 29/393,270, filed Jun. 1, 2011, Kajiura et al.  
U.S. Appl. No. 29/393,278, filed Jun. 1, 2011, Kameda et al.  
U.S. Appl. No. 29/393,280, filed Jun. 1, 2011, Kajiura et al.  
U.S. Appl. No. 29/393,281, filed Jun. 1, 2011, Kameda et al.  
U.S. Appl. No. 29/393,282, filed Jun. 1, 2011, Kajiura et al.  
U.S. Appl. No. 29/393,283, filed Jun. 1, 2011, Kameda et al.  
U.S. Appl. No. 29/407,357, filed Nov. 28, 2011, de Bruijn et al.  
U.S. Appl. No. 29/407,363, filed Nov. 28, 2011, Kajiura et al.  
U.S. Appl. No. 29/407,370, filed Nov. 28, 2011, Kajiura et al.  
U.S. Appl. No. 29/393,269, filed Jun. 1, 2011, Kameda et al.

\* cited by examiner



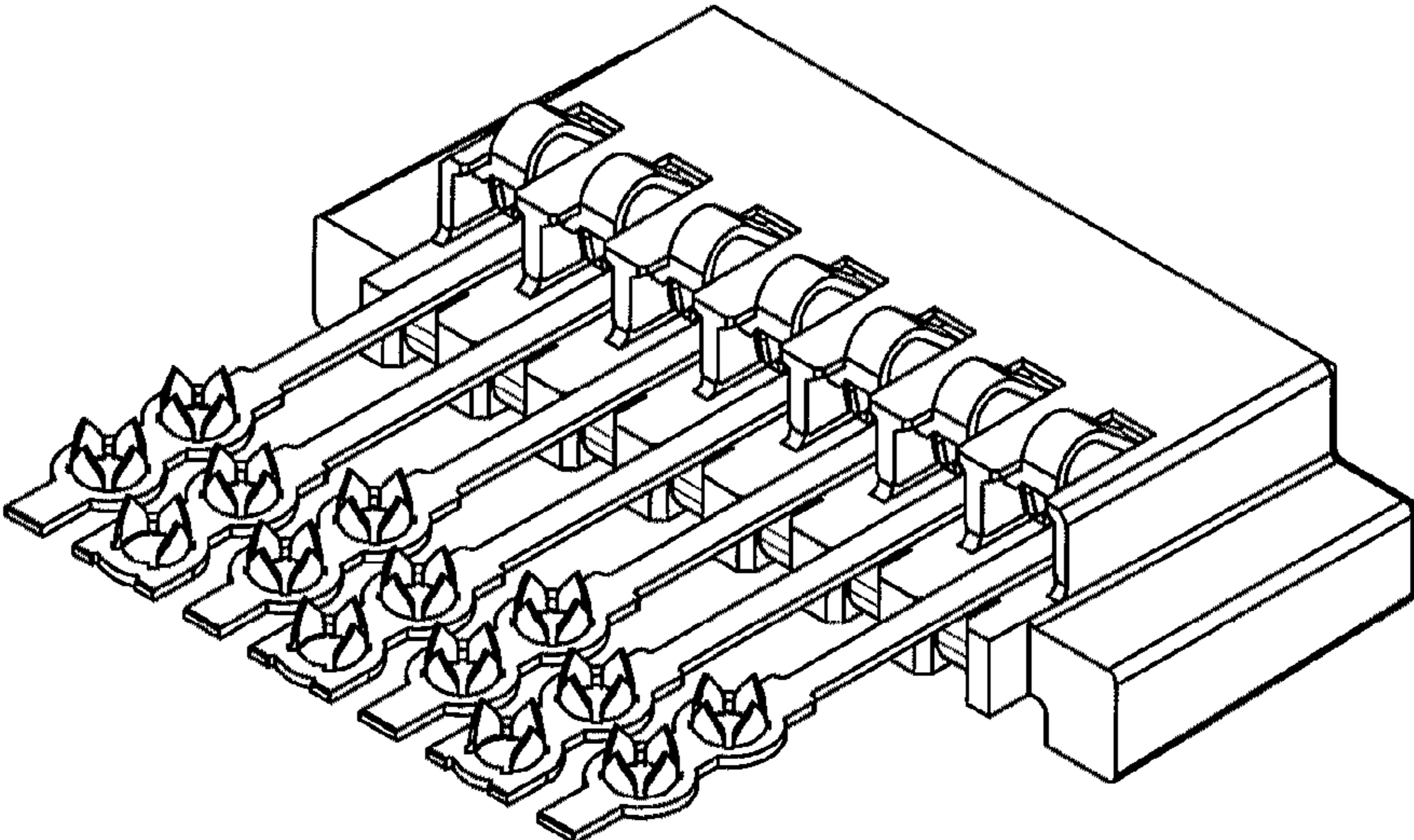


Fig.1

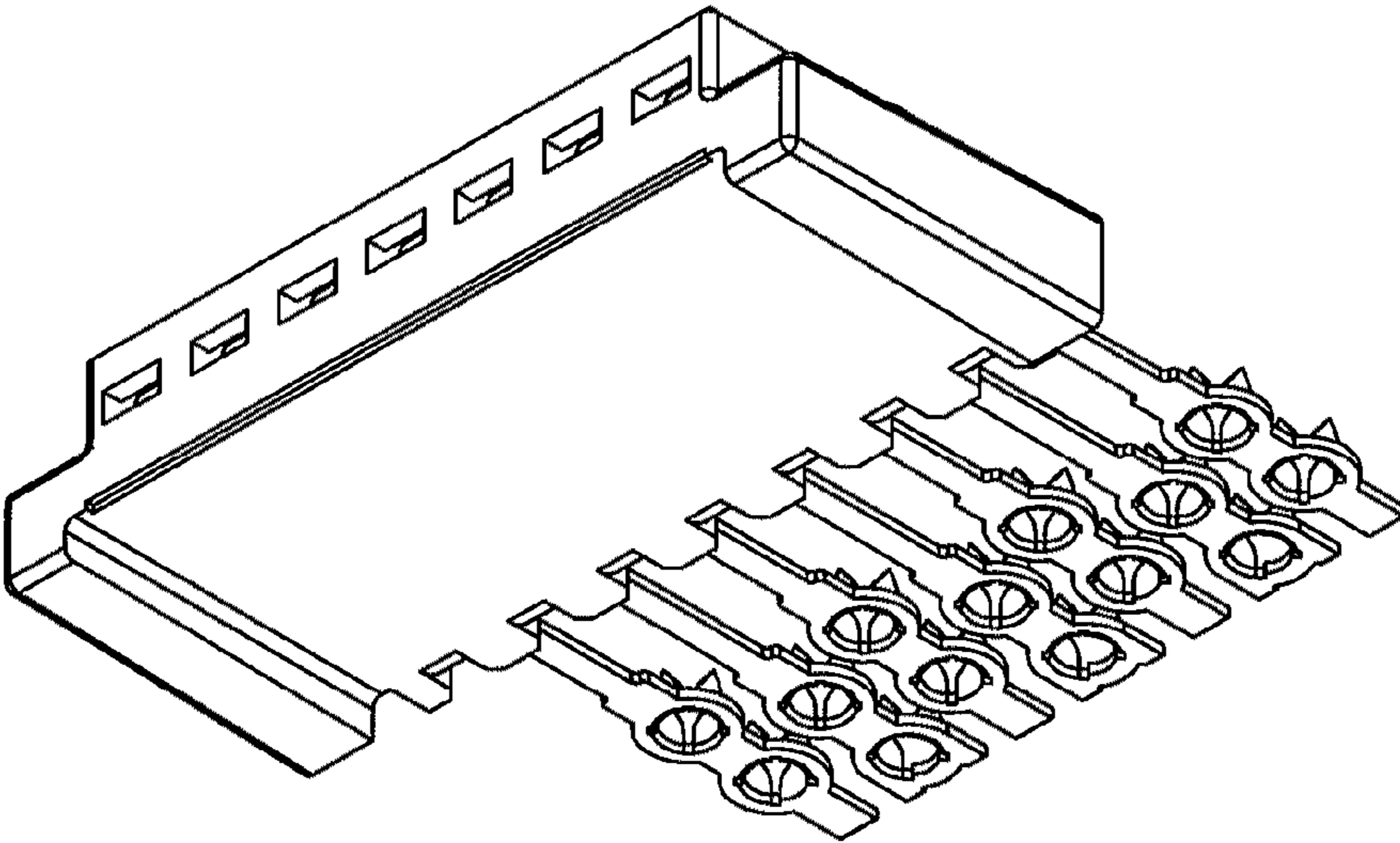


Fig.2

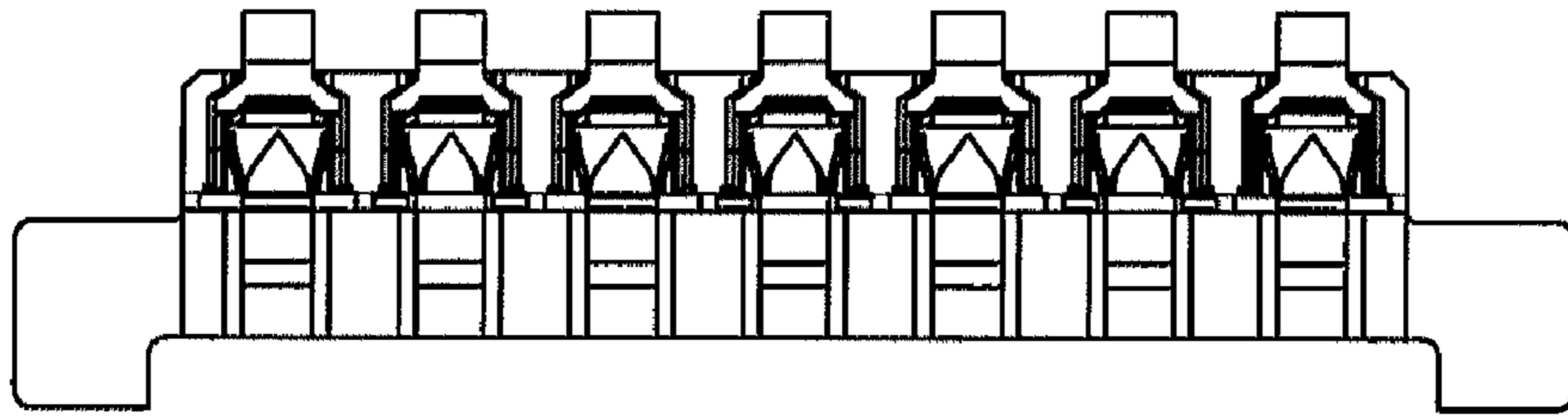


Fig.3

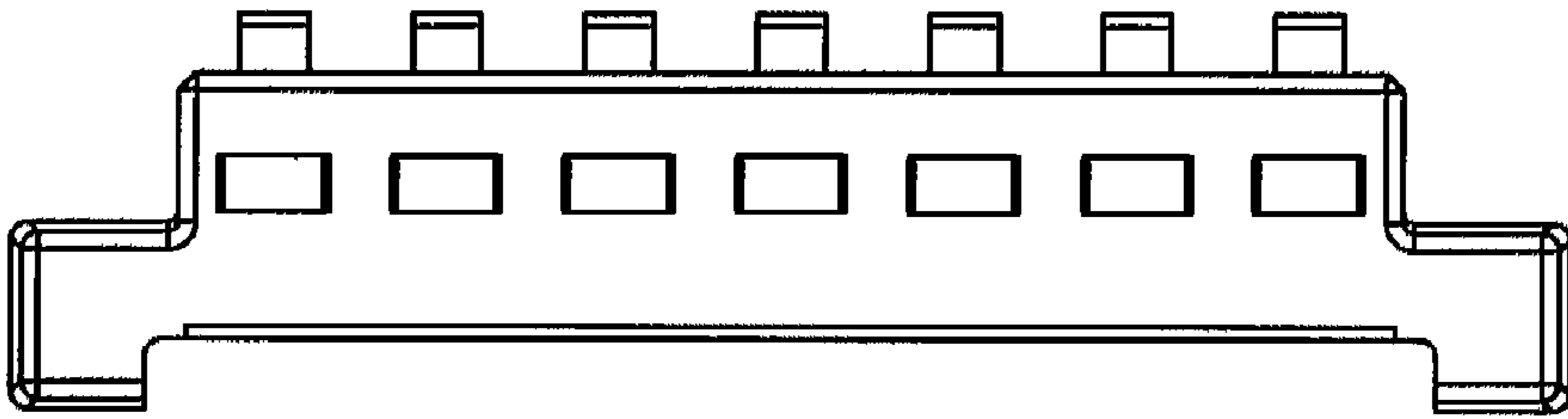


Fig.4

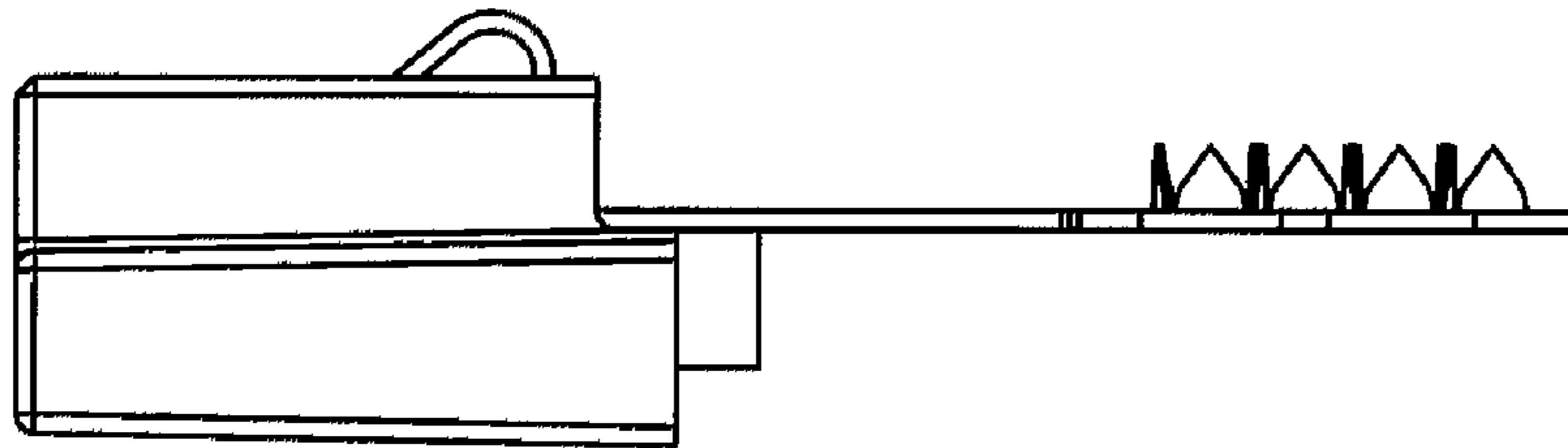


Fig.5

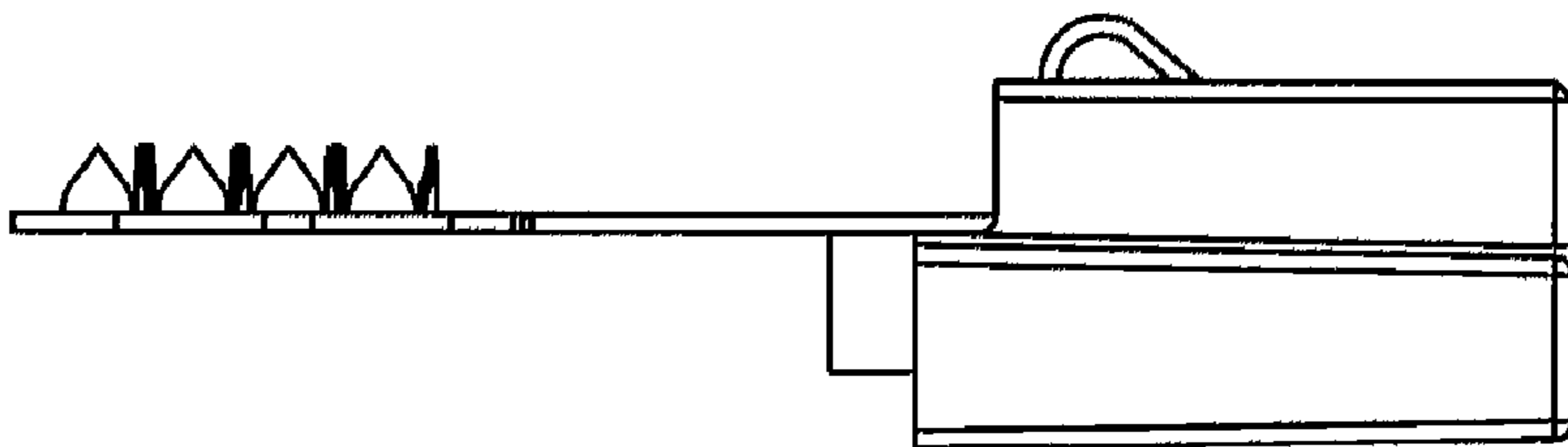


Fig.6

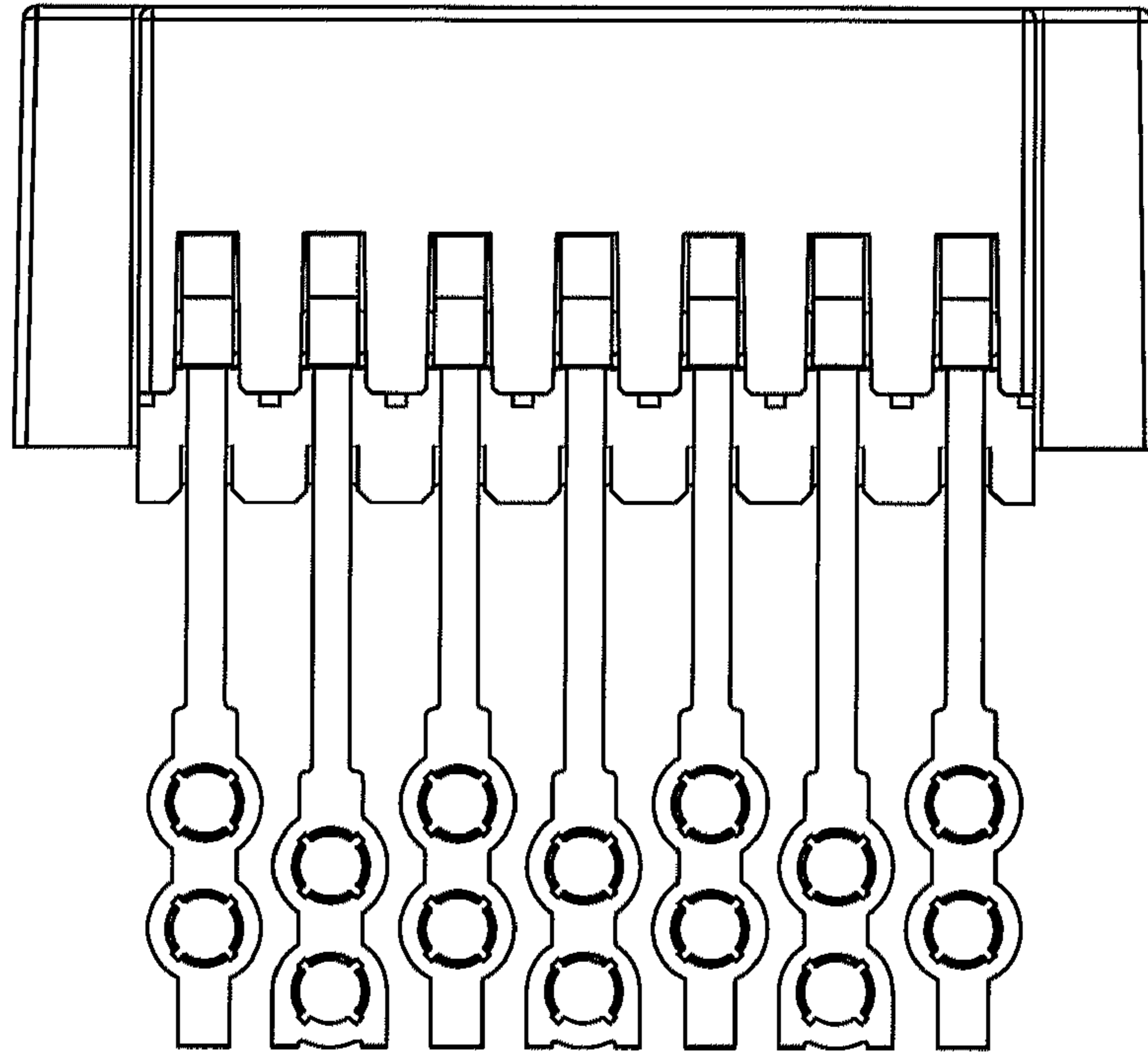


Fig.7

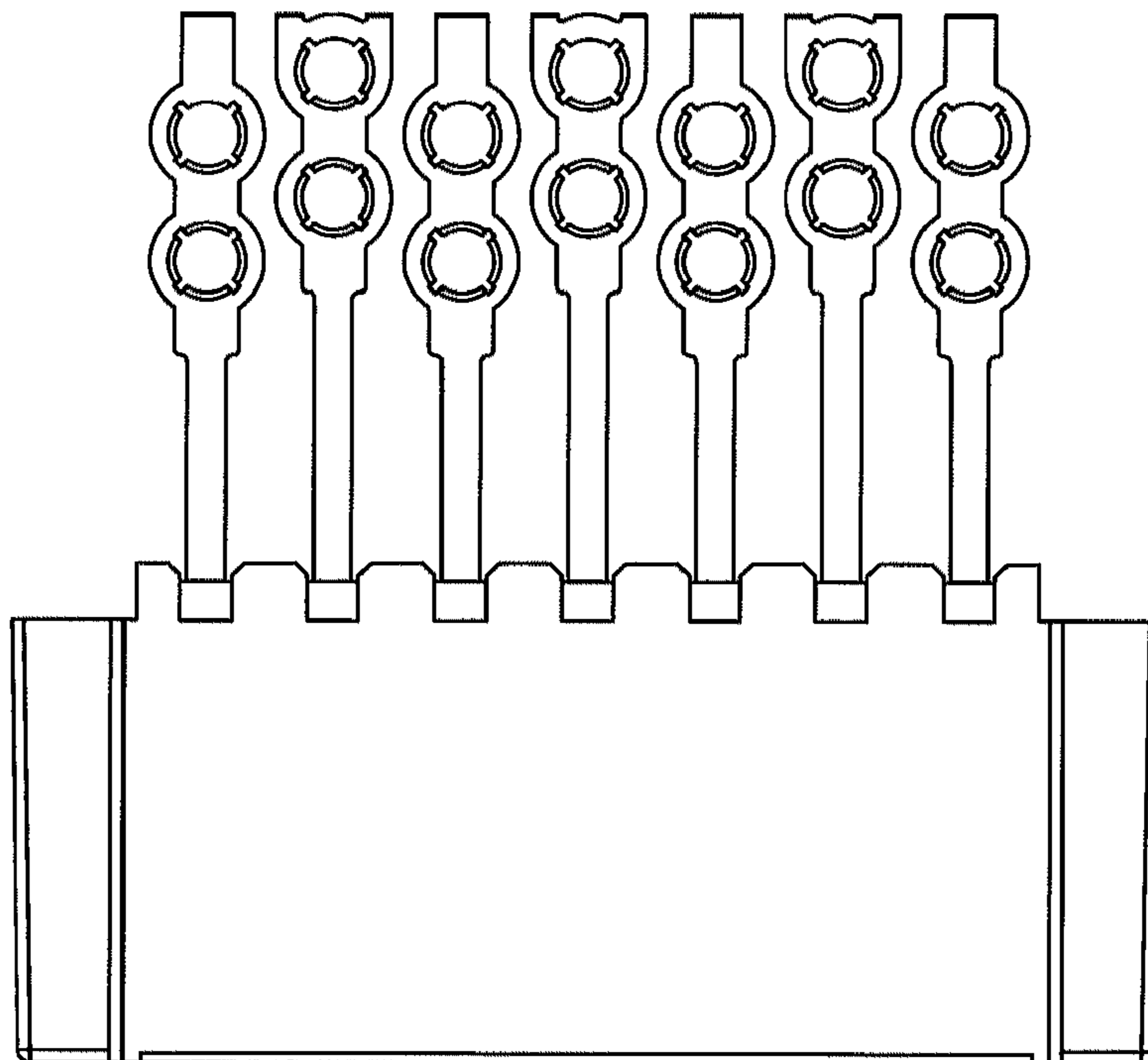


Fig.8