

US00D673911S

(12) **United States Design Patent**  
**Tanabe et al.**

(10) **Patent No.:** **US D673,911 S**  
(45) **Date of Patent:** **\*\* Jan. 8, 2013**

- (54) **MOTOR**
- (75) Inventors: **Yuichi Tanabe**, Osaka (JP); **Masahiko Morisaki**, Osaka (JP); **Masatomo Kumashiro**, Osaka (JP)
- (73) Assignee: **Panasonic Corporation**, Osaka (JP)
- (\*\*) Term: **14 Years**
- (21) Appl. No.: **29/402,742**
- (22) Filed: **Sep. 27, 2011**
- (51) **LOC (9) Cl.** ..... **13-01**
- (52) **U.S. Cl.** ..... **D13/112**
- (58) **Field of Classification Search** ..... D13/112, D13/113, 114, 122, 199; D15/3, 5, 199; 74/606 R, 609; 310/10, 40 R, 42, 51, 58, 310/71, 80, 83, 85, 89, 91, 109, 236, 239, 310/254; 318/245, 255  
See application file for complete search history.

6,118,197 A \* 9/2000 Bohlen ..... 310/89  
 D516,506 S 3/2006 Ichimaru et al.  
 D633,867 S \* 3/2011 Sasaki et al. .... D13/112

**FOREIGN PATENT DOCUMENTS**

JP D1219998 10/2004  
 JP D1221328 10/2004

\* cited by examiner

*Primary Examiner* — Derrick Holland

(74) *Attorney, Agent, or Firm* — Brinks Hofer Gilson & Lione

(57) **CLAIM**

We claim the ornamental design for a motor, as shown and described.

**DESCRIPTION**

FIG. 1 is a front perspective view of a motor of the present invention;  
 FIG. 2 is a rear perspective view thereof;  
 FIG. 3 is a front view thereof;  
 FIG. 4 is a rear view thereof;  
 FIG. 5 is a first side view thereof;  
 FIG. 6 is a second side view thereof;  
 FIG. 7 is a top view thereof; and,  
 FIG. 8 is a bottom view thereof.

(56) **References Cited**

**U.S. PATENT DOCUMENTS**

D194,910 S \* 4/1963 Lindt et al. .... D13/112  
 5,172,605 A \* 12/1992 Schwartz ..... 74/421 A  
 D364,375 S \* 11/1995 Sakashita et al. .... D13/112

**1 Claim, 8 Drawing Sheets**

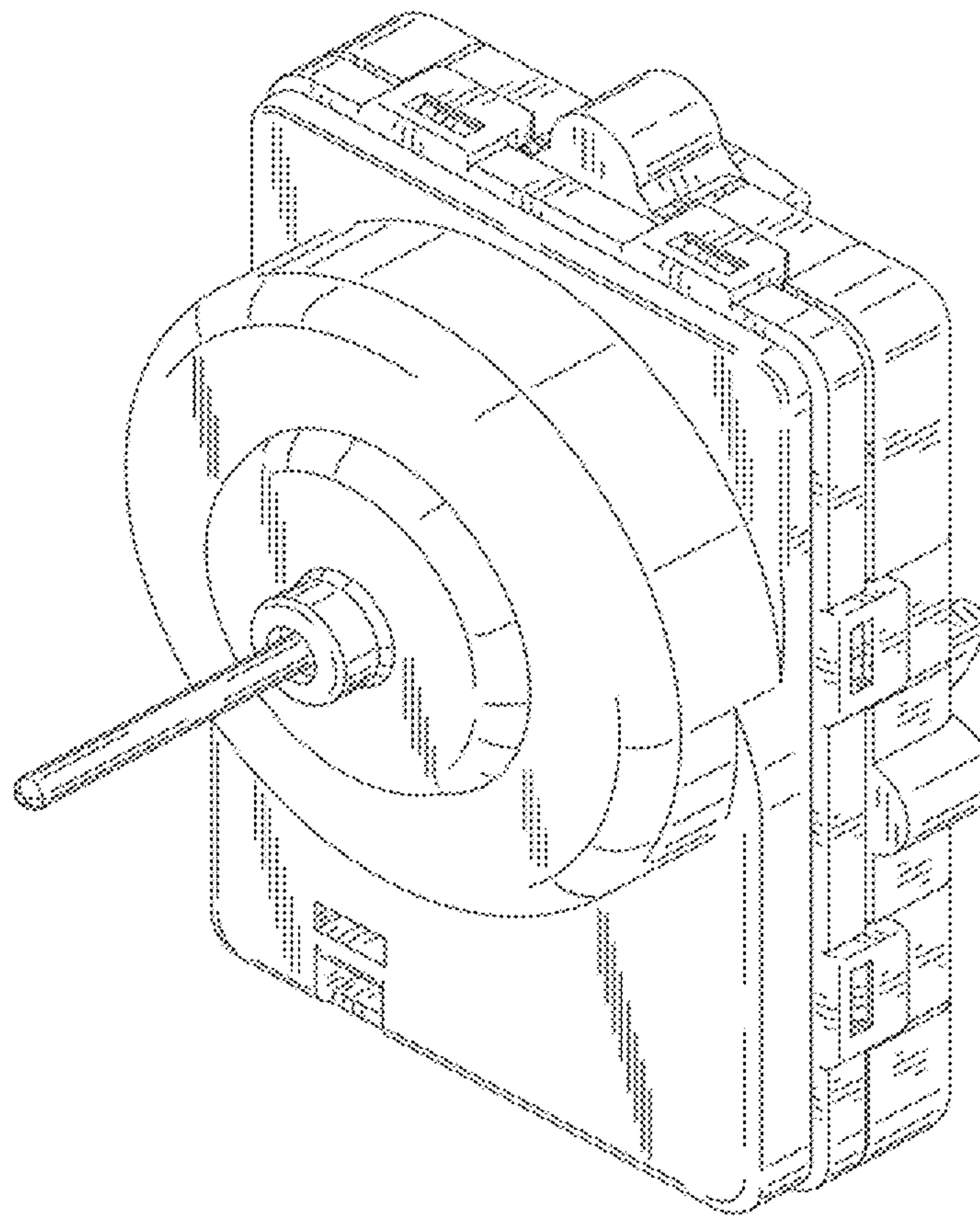


Fig. 1

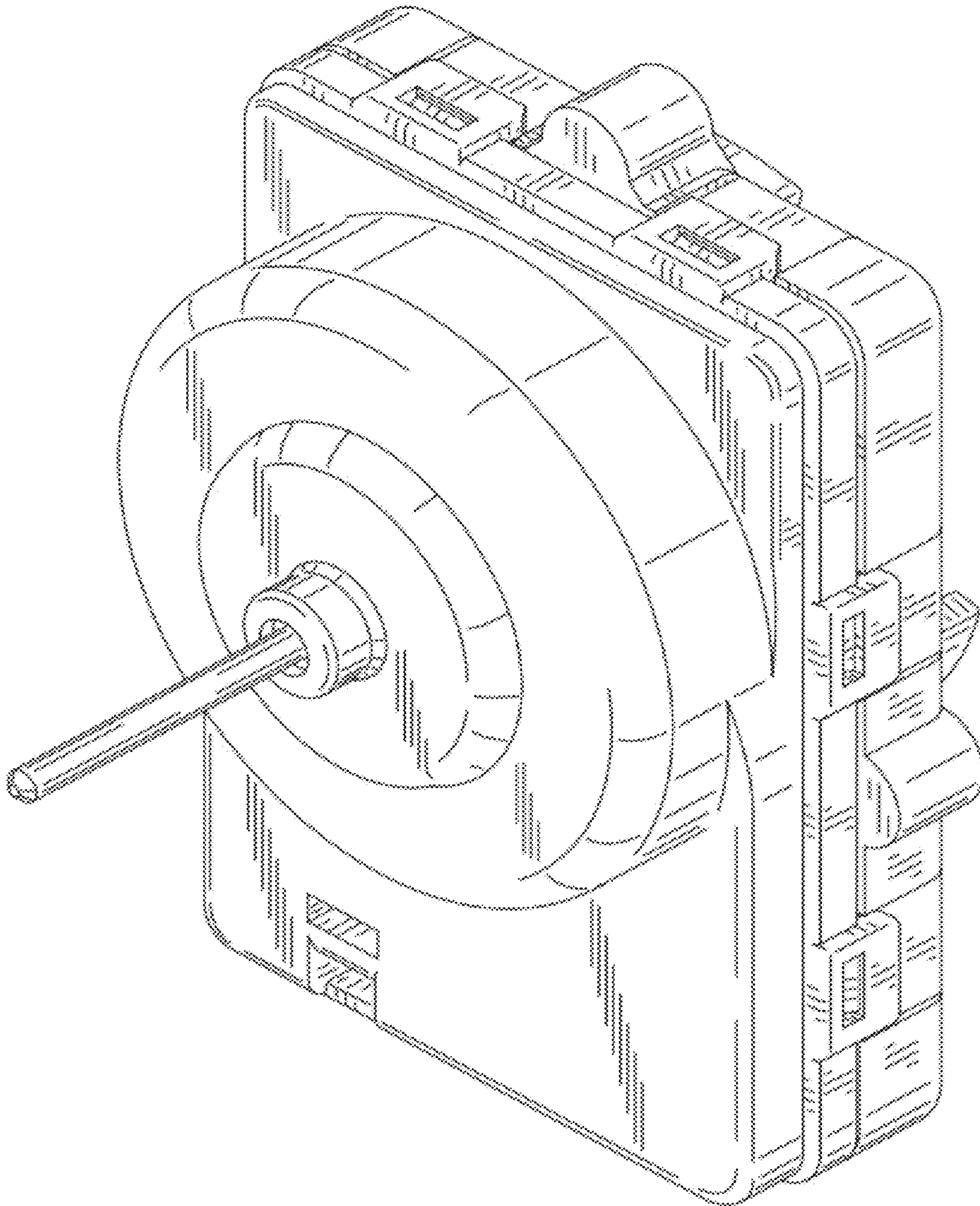




Fig. 2

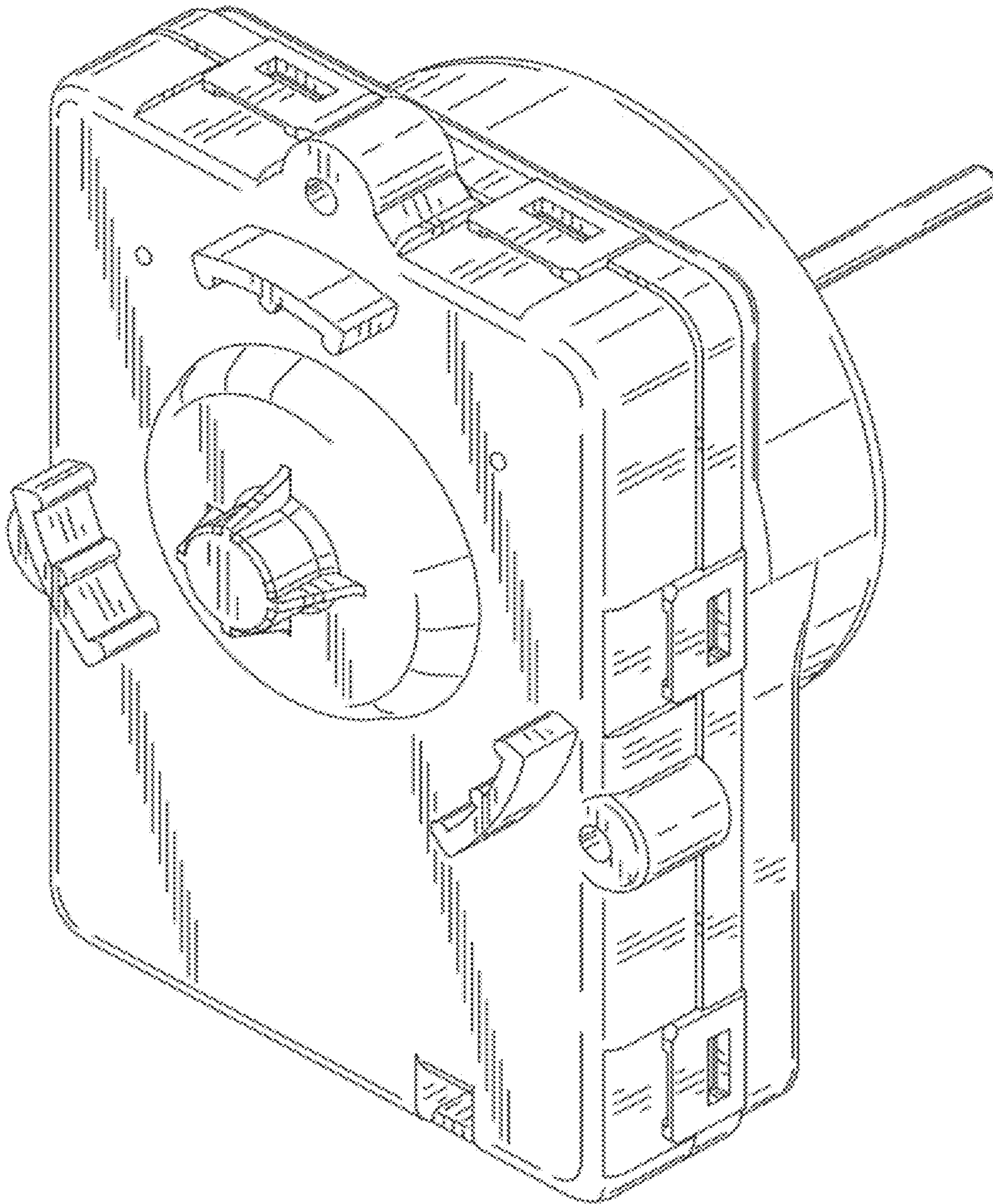


Fig. 3

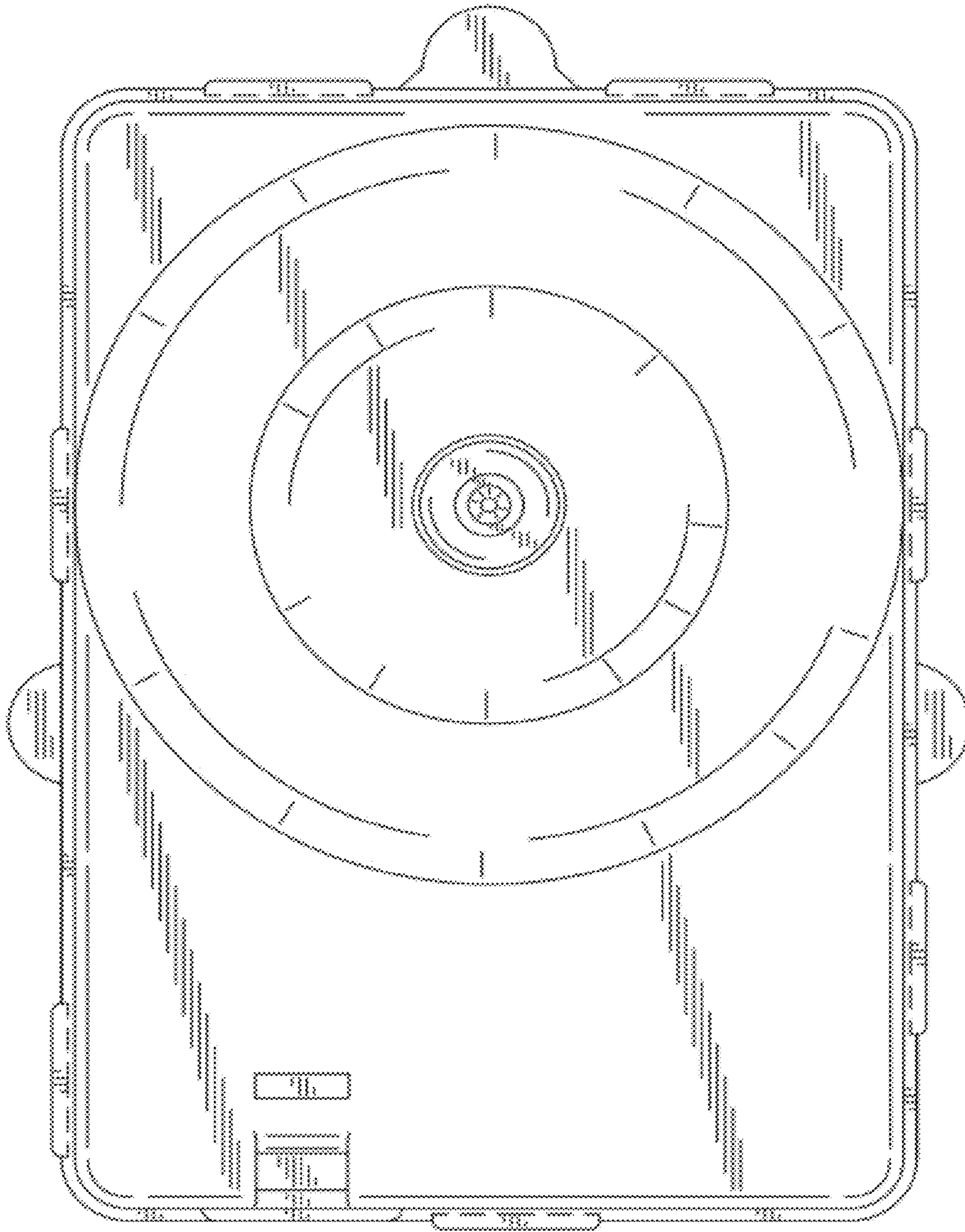


Fig. 4

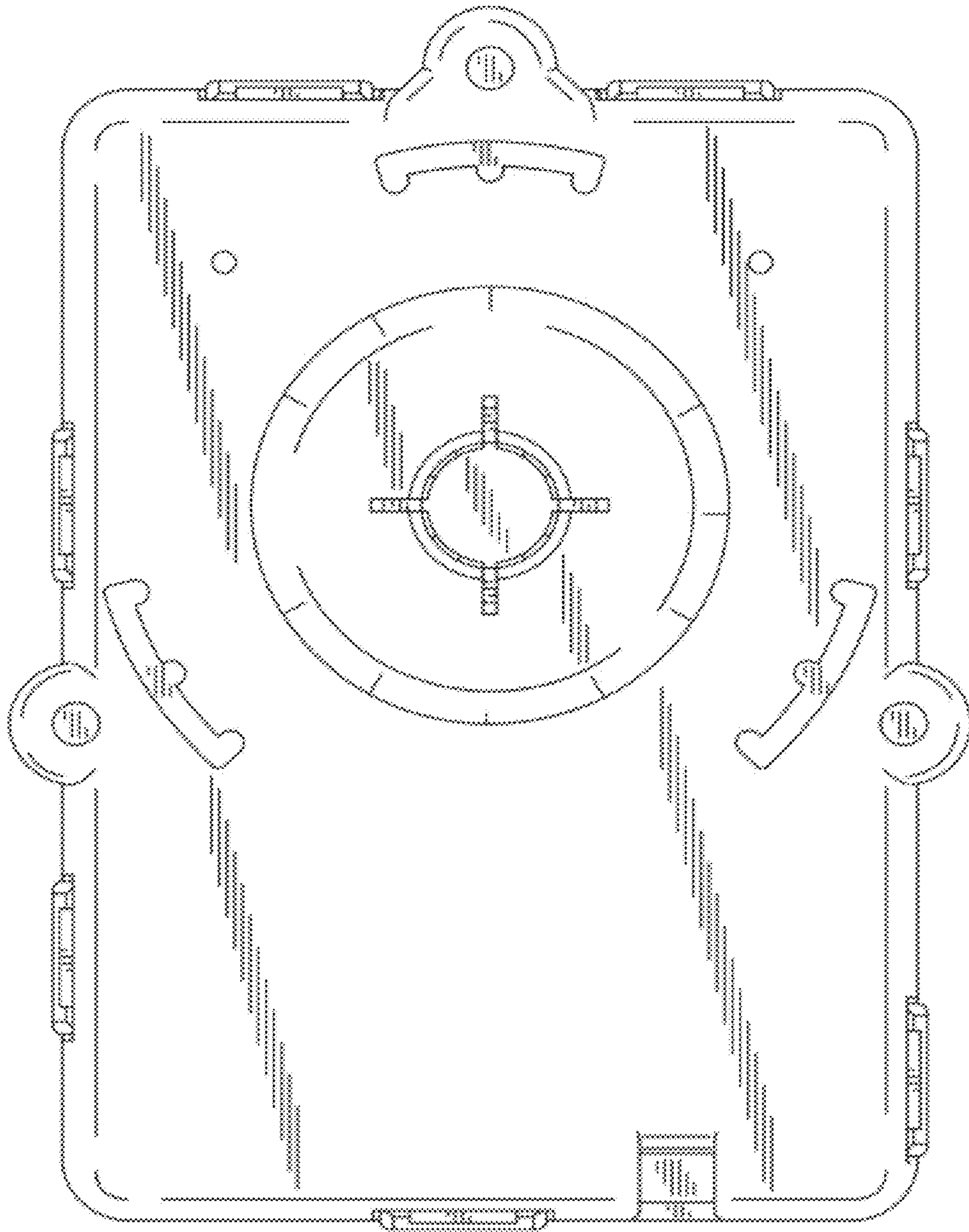




Fig. 5

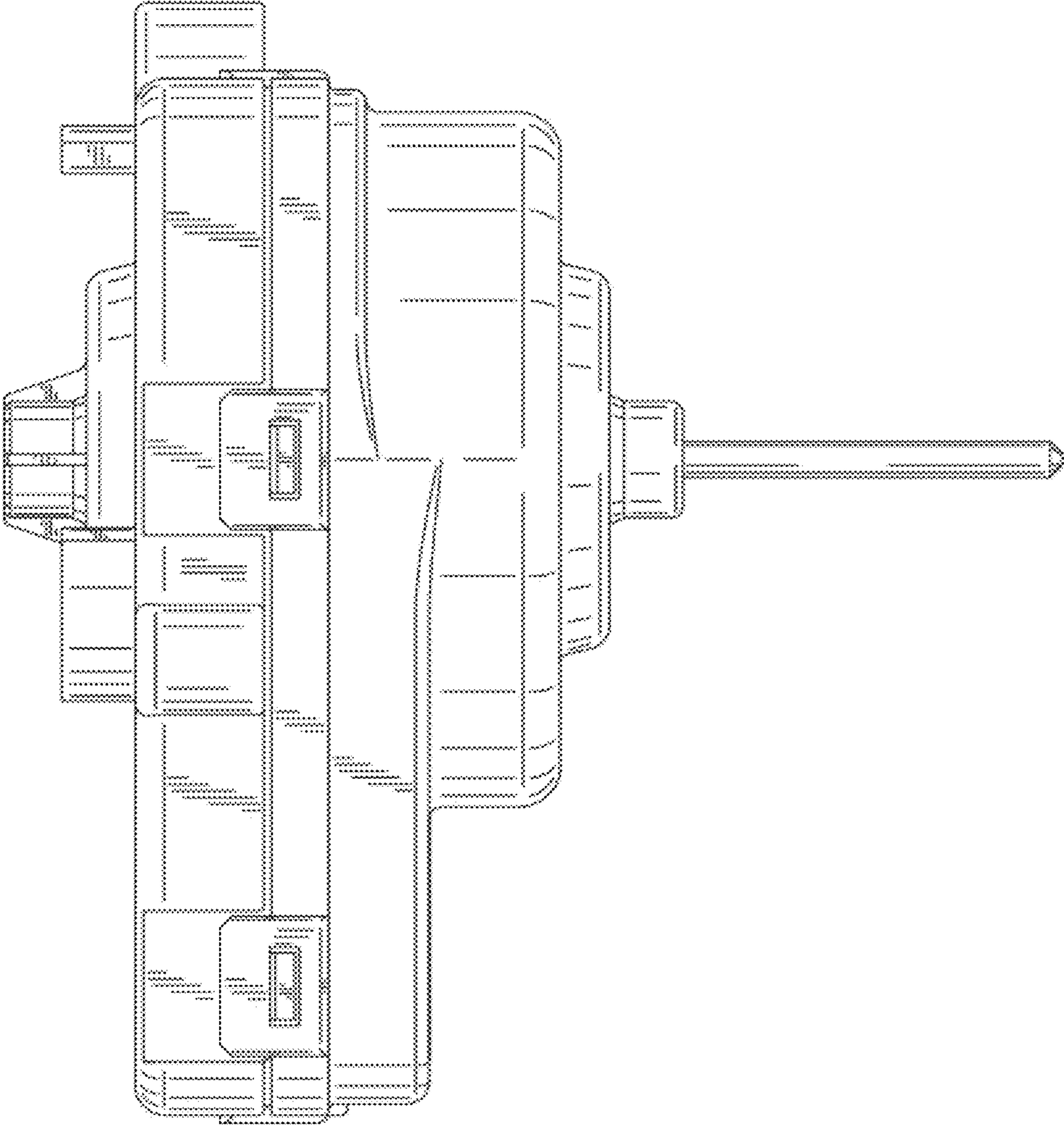


Fig. 6

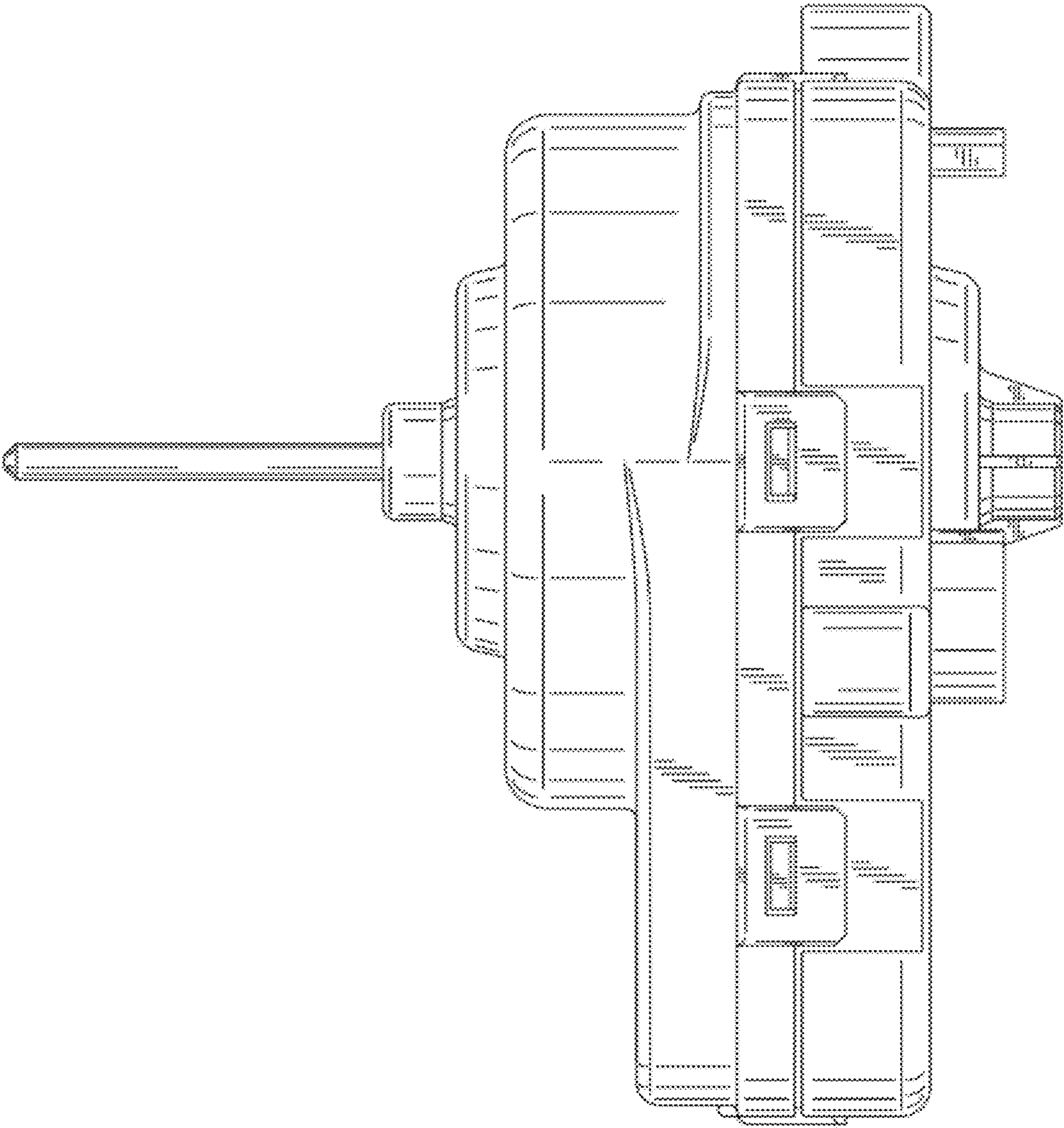


Fig. 7

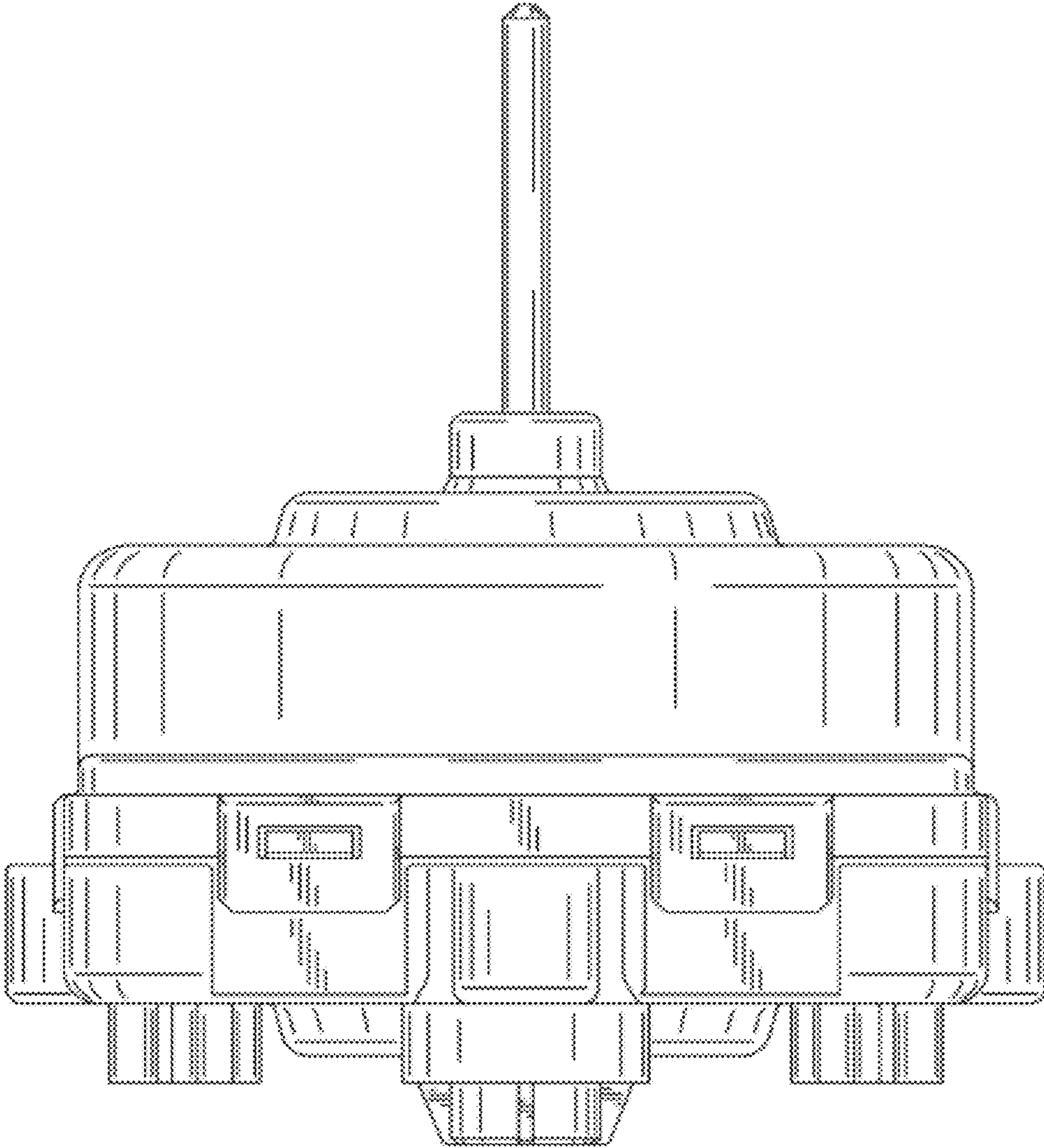




Fig. 8

