



US00D673908S

(12) **United States Design Patent**
Koch

(10) **Patent No.:** **US D673,908 S**
(45) **Date of Patent:** **** Jan. 8, 2013**

(54) **CHARGER**

(75) Inventor: **Christophe Koch**, Santa Cruz, CA (US)

(73) Assignee: **Plantronics, Inc.**, Santa Cruz, CA (US)

(**) Term: **14 Years**

(21) Appl. No.: **29/423,840**

(22) Filed: **Jun. 5, 2012**

(51) **LOC (9) Cl.** **13-02**

(52) **U.S. Cl.** **D13/108**

(58) **Field of Classification Search** D13/107–110,
D13/118–119, 133, 147, 154, 184, 199; D14/251,
D14/253, 432–434, 480.1–480.7, 411, 435.1,
D14/436, 484.1, 240; 320/107–115; 710/300,
710/301; 439/447, 607.01–607.05
See application file for complete search history.

(56) **References Cited**

U.S. PATENT DOCUMENTS

6,091,224	A *	7/2000	Morita	320/113
D442,553	S *	5/2001	Urban et al.	D13/153
6,639,382	B1 *	10/2003	Fan	320/114
D588,545	S *	3/2009	Andre et al.	D13/154
D610,095	S *	2/2010	Wu et al.	D13/147
D611,416	S *	3/2010	McGinley et al.	D13/138.1

D613,249	S *	4/2010	Nagata et al.	D13/147
D618,226	S *	6/2010	Tong et al.	D14/240
D619,963	S *	7/2010	Hou	D13/133
D621,362	S *	8/2010	Huang et al.	D13/147
D622,220	S *	8/2010	Huang et al.	D13/147
D628,537	S *	12/2010	Nagata et al.	D13/147
D636,337	S *	4/2011	Smith et al.	D13/147
D638,363	S *	5/2011	Ledbetter et al.	D13/147
2002/0195993	A1 *	12/2002	Chiu	320/114

* cited by examiner

Primary Examiner — Rosemary K Tarcza

(74) *Attorney, Agent, or Firm* — Michael D. Rodriguez

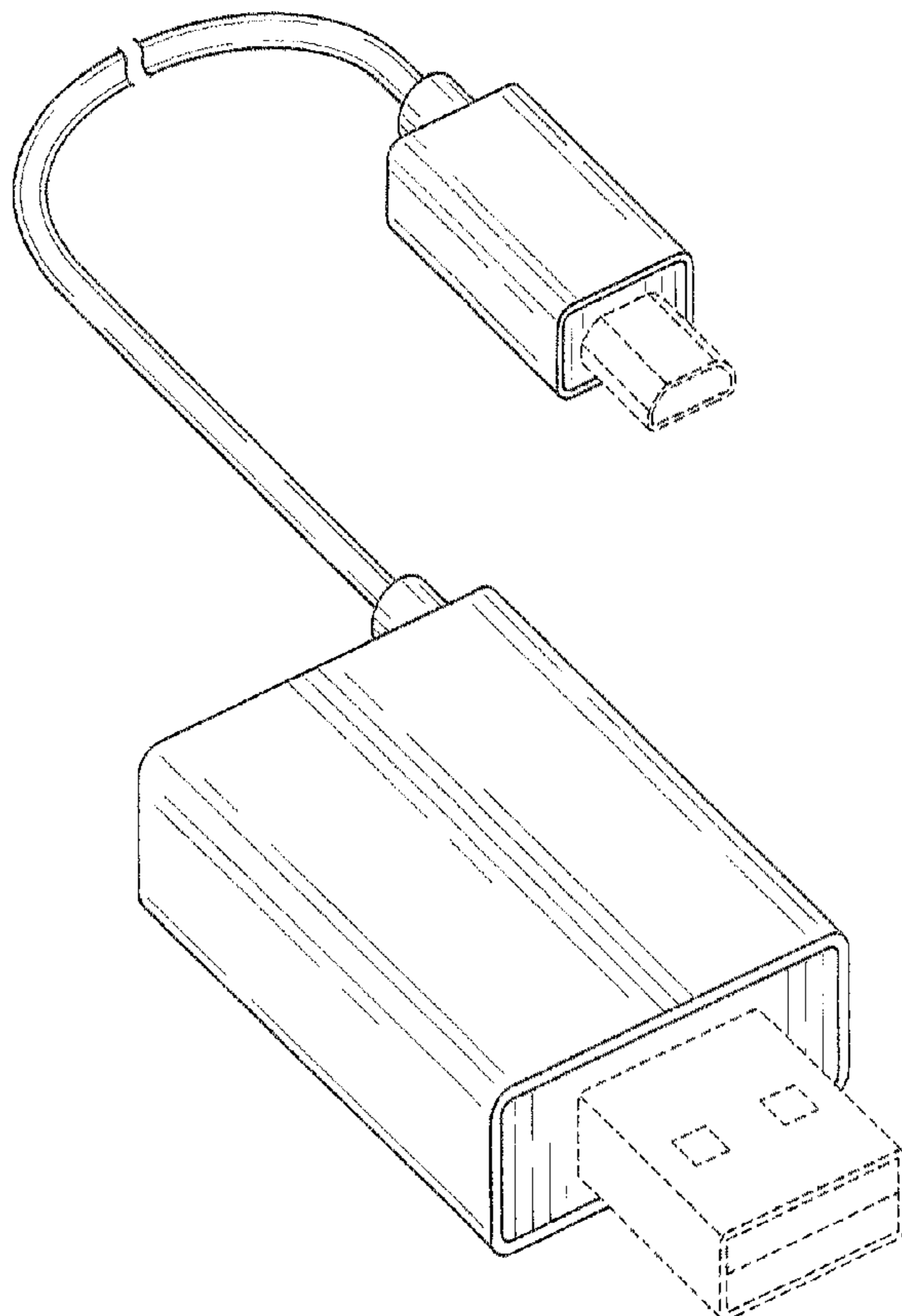
(57) **CLAIM**

The ornamental design for a charger, as shown and described.

DESCRIPTION

FIG. 1 is front-top-left perspective view of a charger showing our new design;
FIG. 2 is a back-top-left perspective view thereof;
FIG. 3 is a front view thereof;
FIG. 4 is a back view thereof;
FIG. 5 is a left side view thereof;
FIG. 6 is a right side view thereof;
FIG. 7 is a top view thereof; and,
FIG. 8 is a bottom view thereof.
The broken lines showing of the unclaimed environment forms no part of the claimed design.

1 Claim, 4 Drawing Sheets



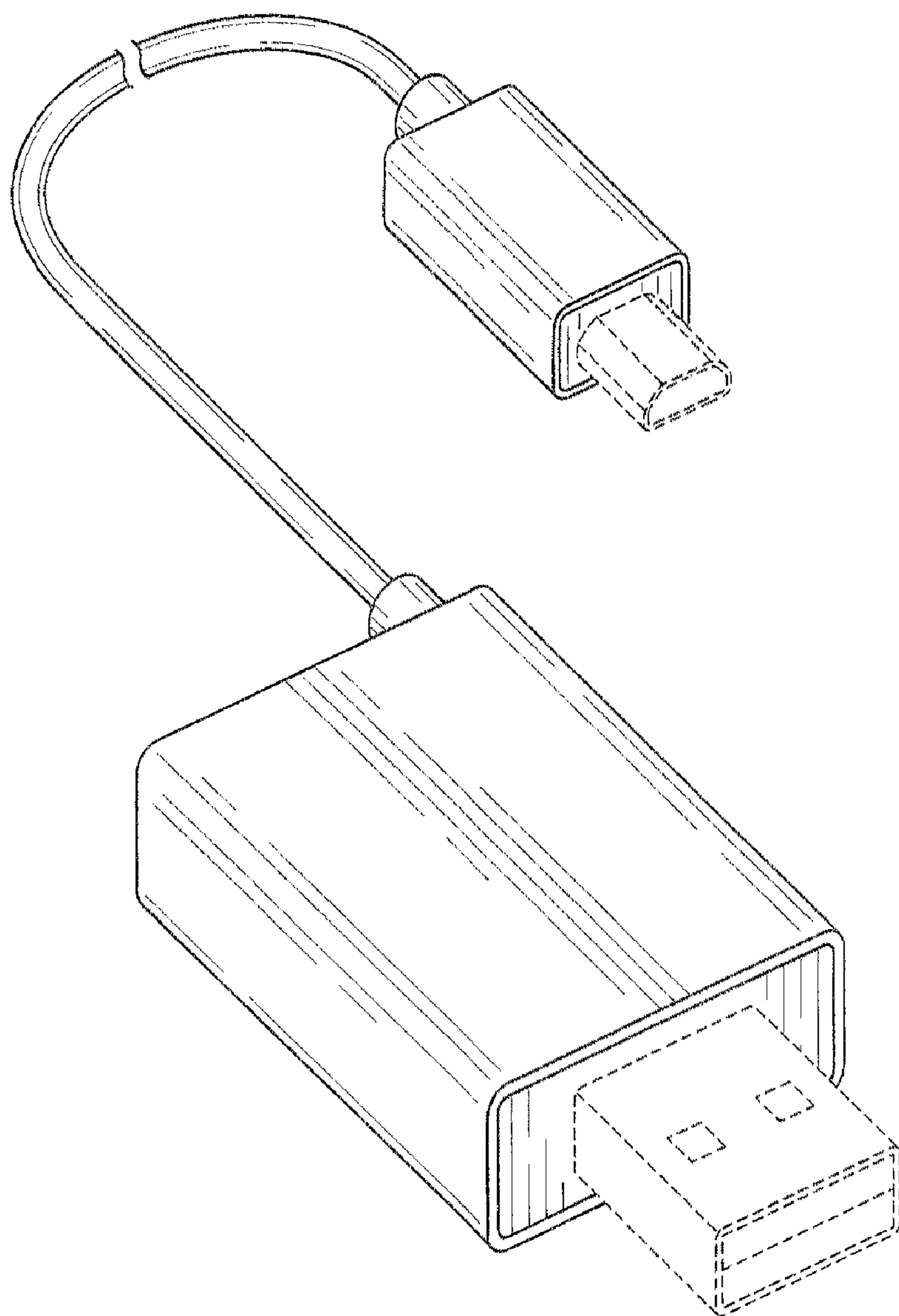


FIG. 1

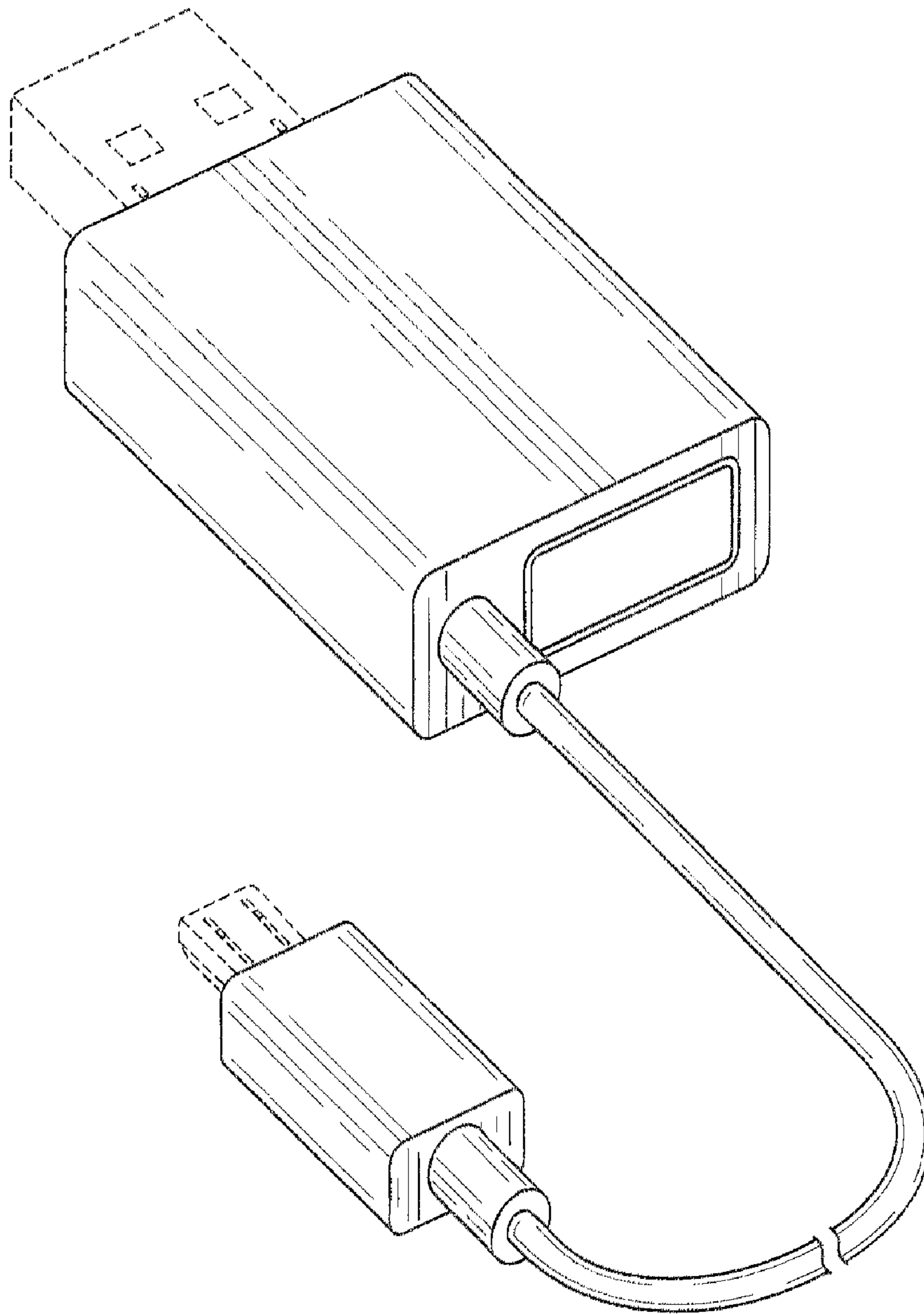


FIG. 2

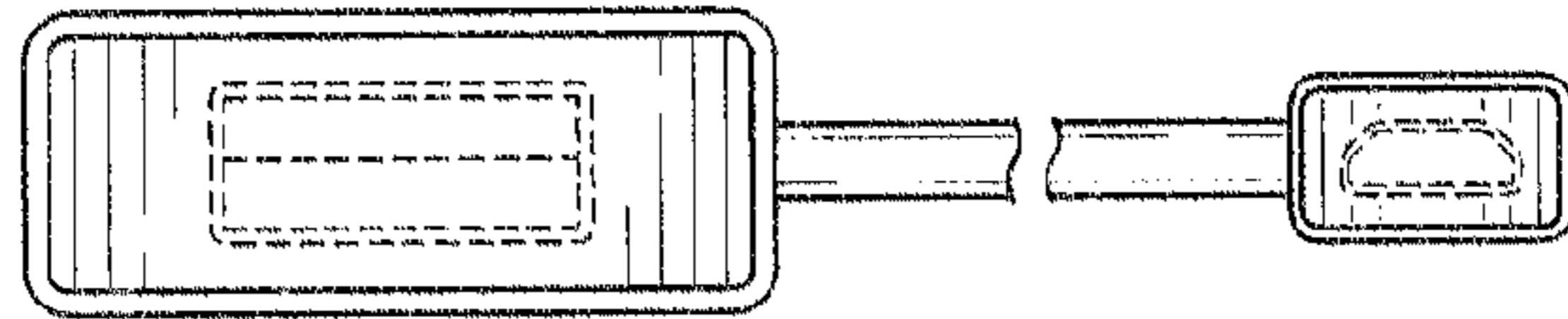


FIG. 3

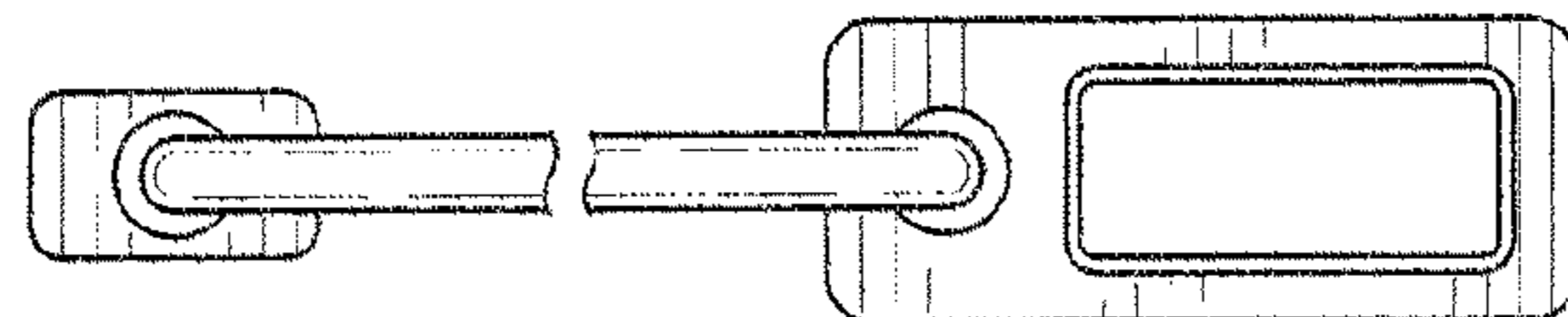


FIG. 4

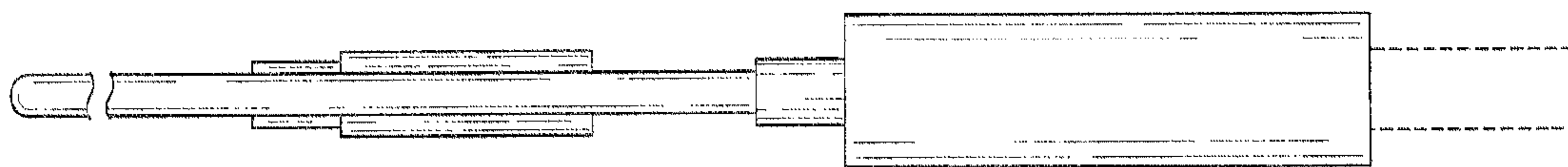


FIG. 5

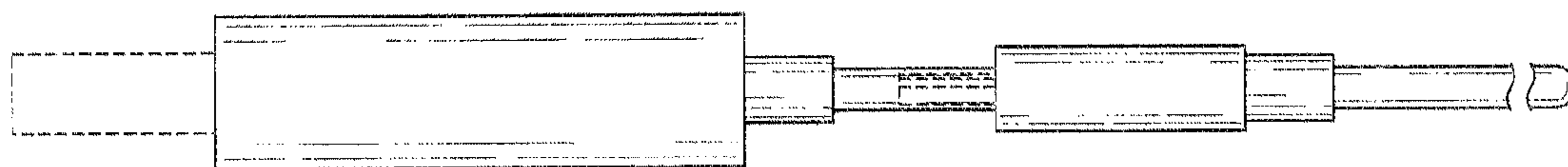


FIG. 6

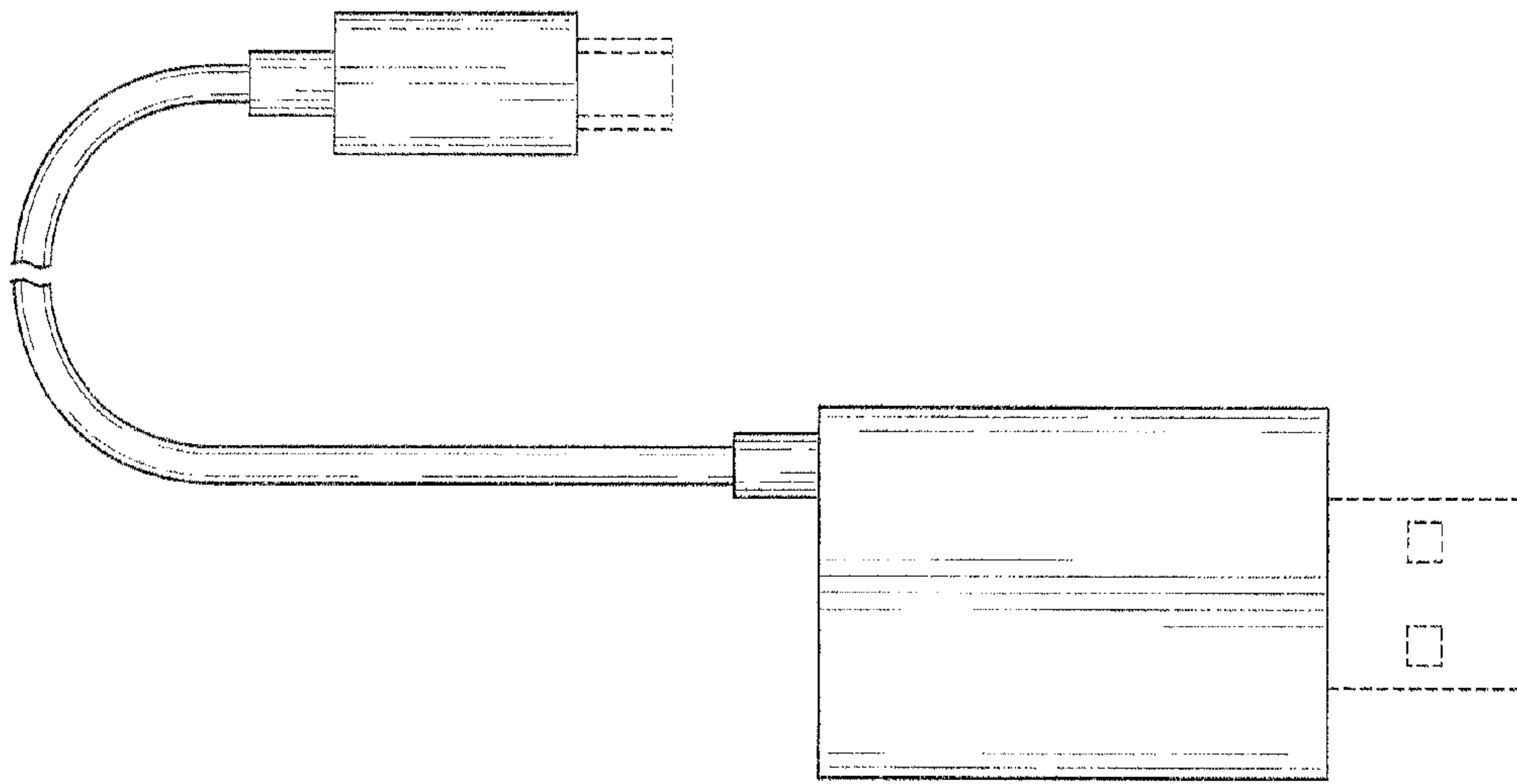


FIG. 7

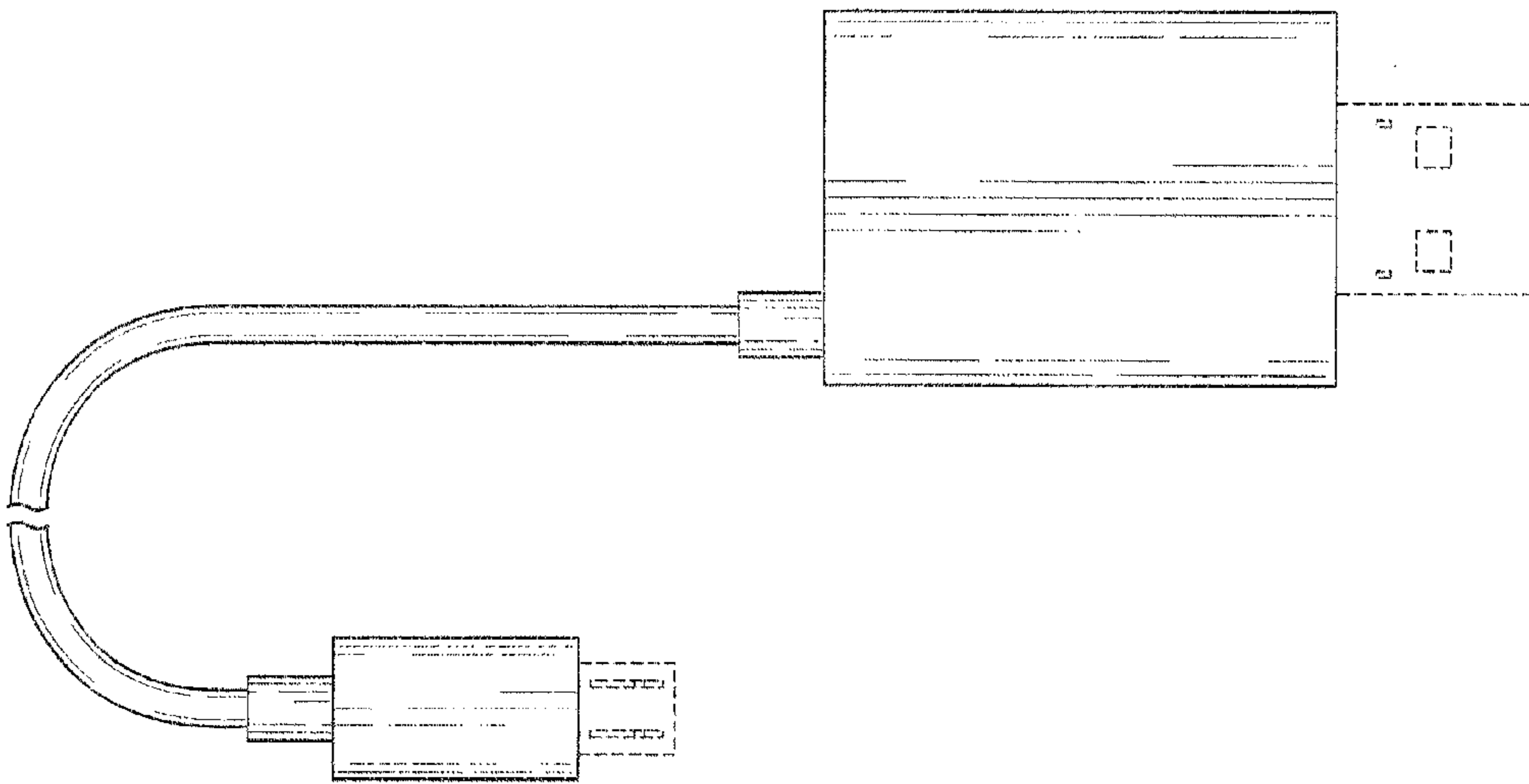


FIG. 8