

US00D673904S

(12) **United States Design Patent**
Kobayashi

(10) **Patent No.:** **US D673,904 S**

(45) **Date of Patent:** **** Jan. 8, 2013**

(54) **CONNECTOR FOR SOLAR CELL MODULES**

(56) **References Cited**

(75) Inventor: **Shuichi Kobayashi**, Takahama (JP)

U.S. PATENT DOCUMENTS

(73) Assignee: **Yanegijutsukenkyujo Co., Ltd.**,
Takahama-shi, Aichi (JP)

D270,660	S	*	9/1983	Ort	D13/102
D344,598	S	*	2/1994	Ehmke et al.	D25/124
D380,442	S	*	7/1997	Fukuhara et al.	D13/102
D472,791	S	*	4/2003	Callahan et al.	D8/349
D547,262	S	*	7/2007	Ullman	D13/102
7,260,918	B2	*	8/2007	Liebendorfer	52/173.3
D627,717	S	*	11/2010	Munoz et al.	D13/102
2007/0212935	A1	*	9/2007	Lenox	439/567

(**) Term: **14 Years**

* cited by examiner

(21) Appl. No.: **29/426,640**

Primary Examiner — Derrick Holland

(22) Filed: **Jul. 9, 2012**

(74) *Attorney, Agent, or Firm* — Westerman, Hattori,
Daniels & Adrian, LLP

(30) **Foreign Application Priority Data**

(57) **CLAIM**

Feb. 21, 2012 (JP) 2012-003478

The ornamental design for a connector for solar cell modules,
as shown and described.

(51) **LOC (9) Cl.** **13-02**

DESCRIPTION

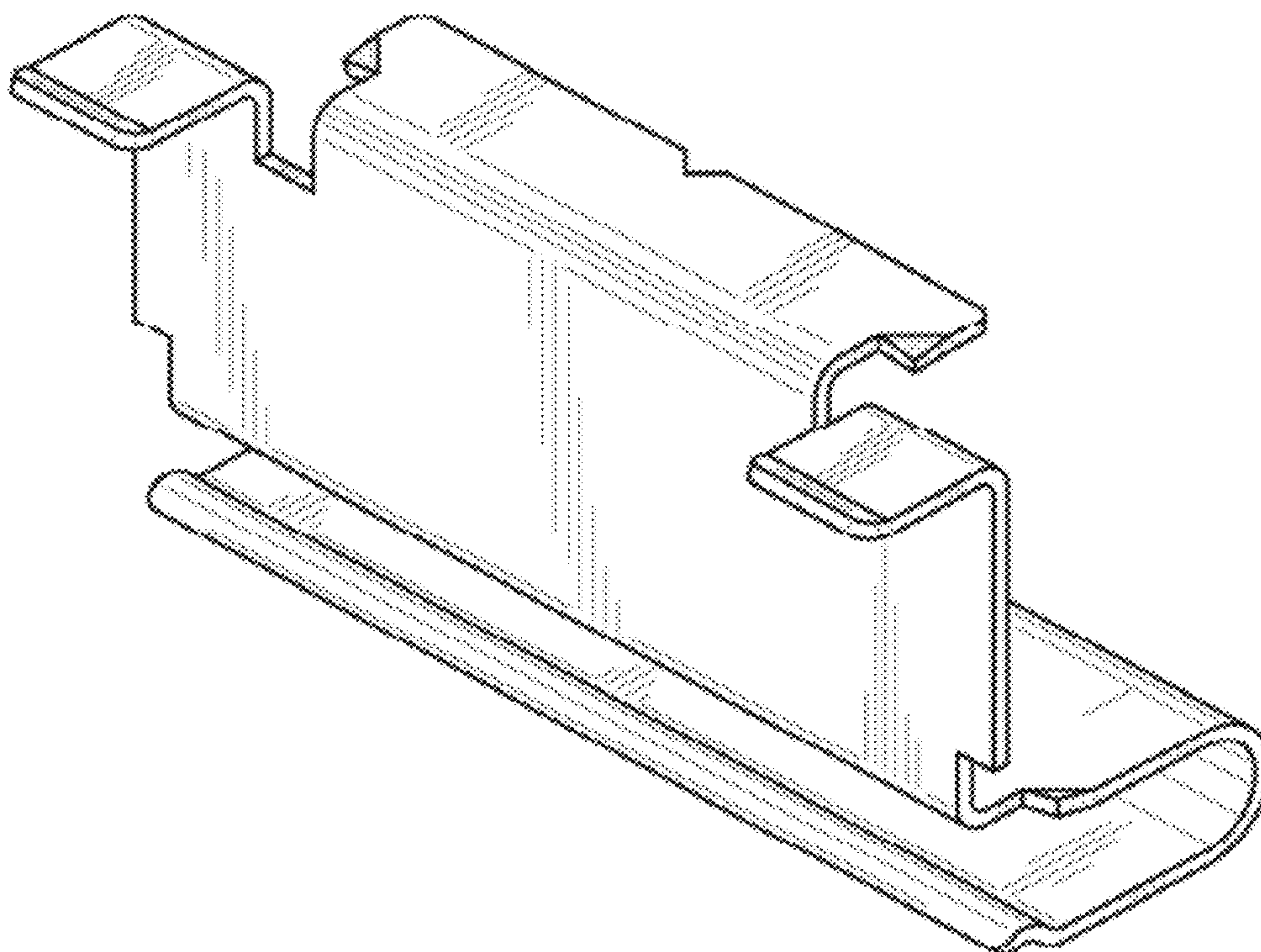
(52) **U.S. Cl.** **D13/102**

(58) **Field of Classification Search** D13/102,
D13/118, 184, 199; D8/349, 354, 355, 356;
D25/119, 123, 124, 125; 52/173.3, 460;
126/573, 580; 136/206, 244-251, 256, 291,
136/292; 439/567

FIG. 1 is a front elevational view of a connector for solar cell
modules, showing my new design;
FIG. 2 is a rear elevational view thereof;
FIG. 3 is a top plan view thereof;
FIG. 4 is a bottom plan view thereof;
FIG. 5 is a right side elevational view thereof, the left side
elevational view being a mirror image thereof; and,
FIG. 6 is a right front perspective view thereof.

See application file for complete search history.

1 Claim, 6 Drawing Sheets



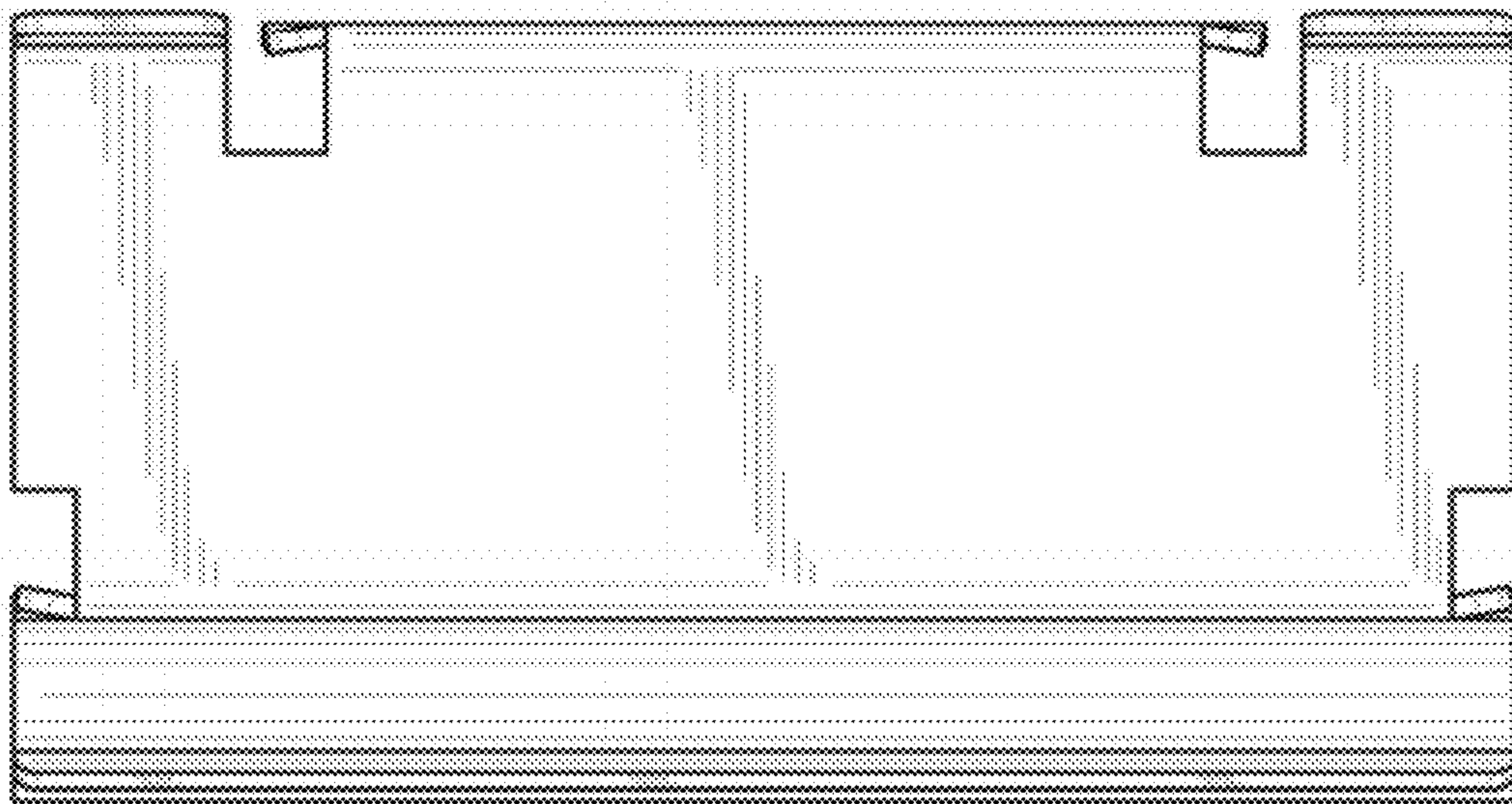


FIG. 1

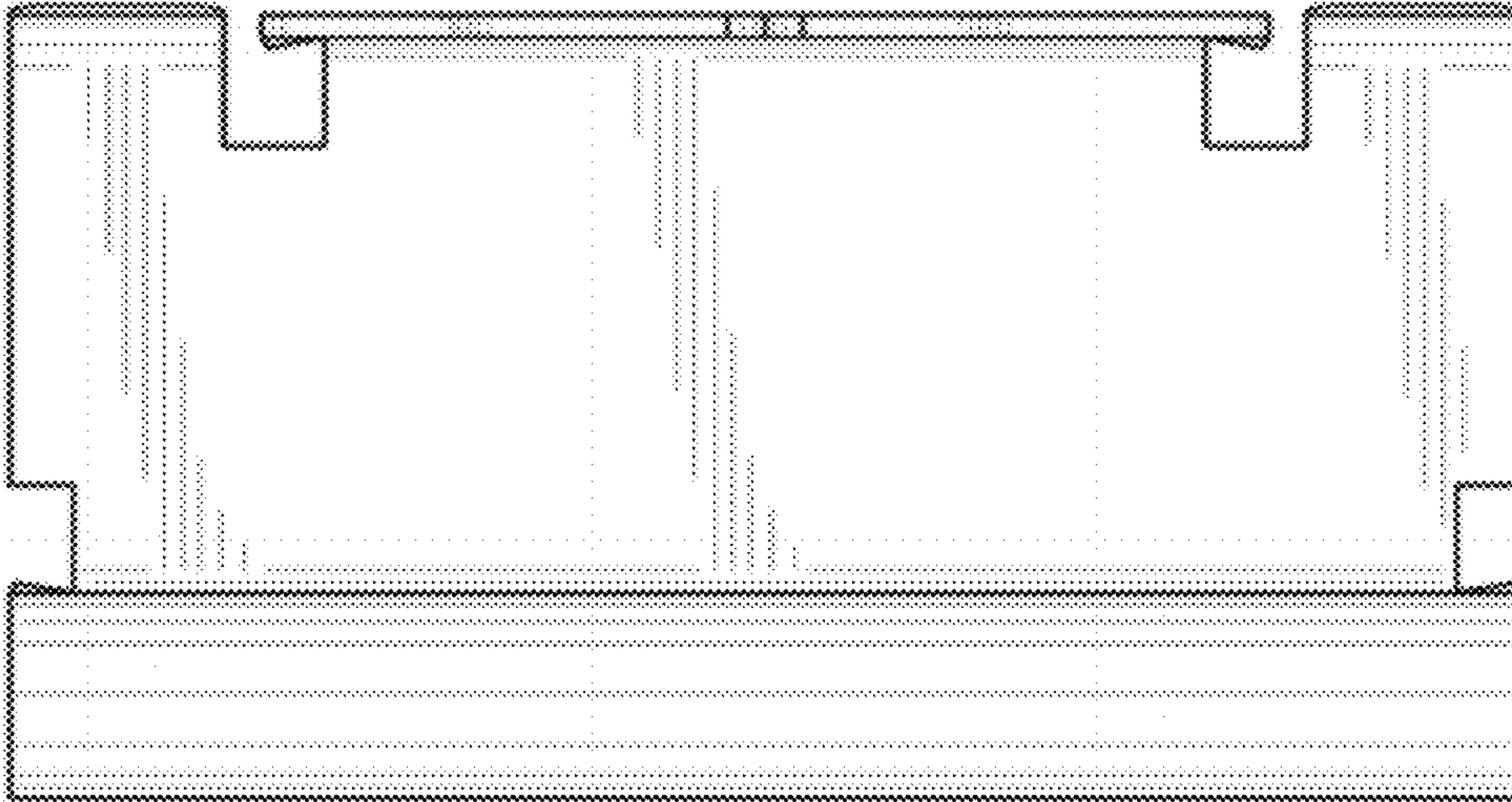


FIG. 2

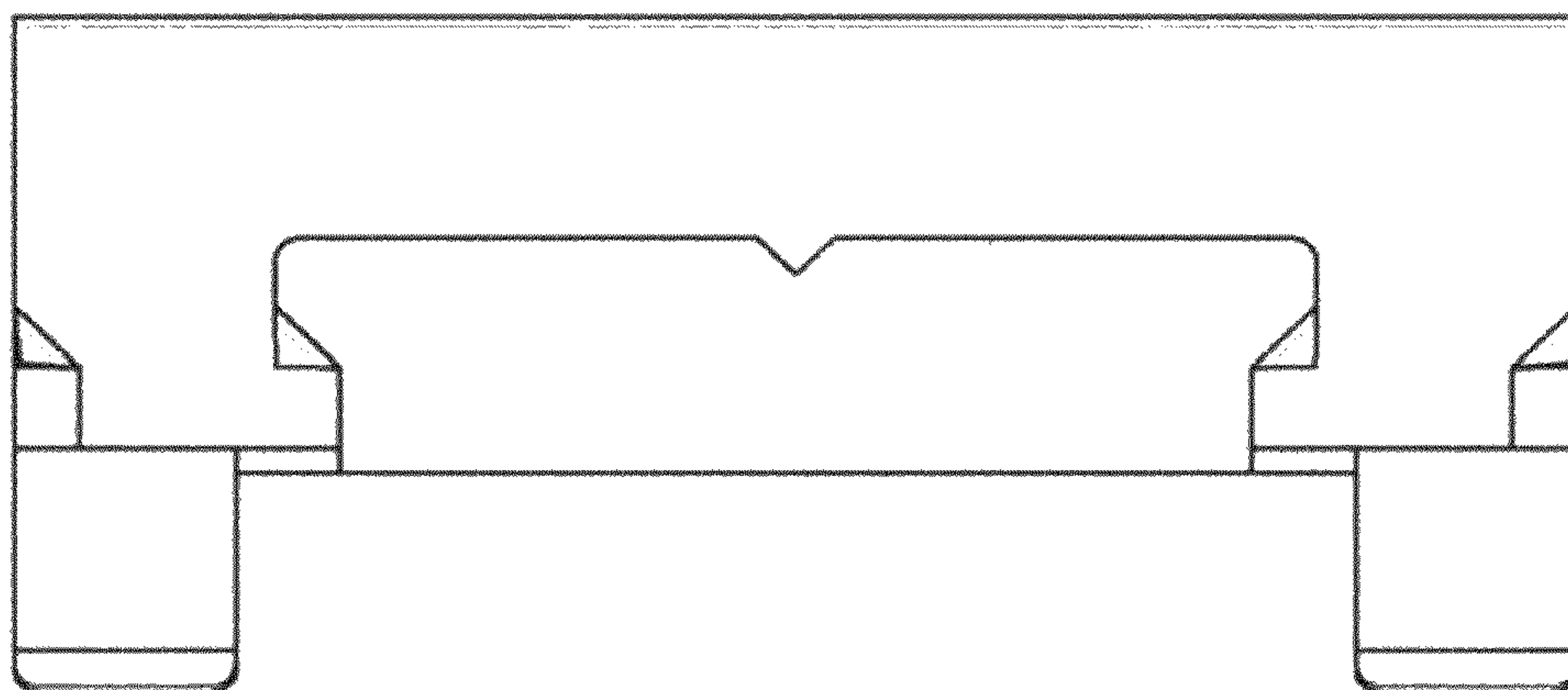


FIG. 3



FIG. 4

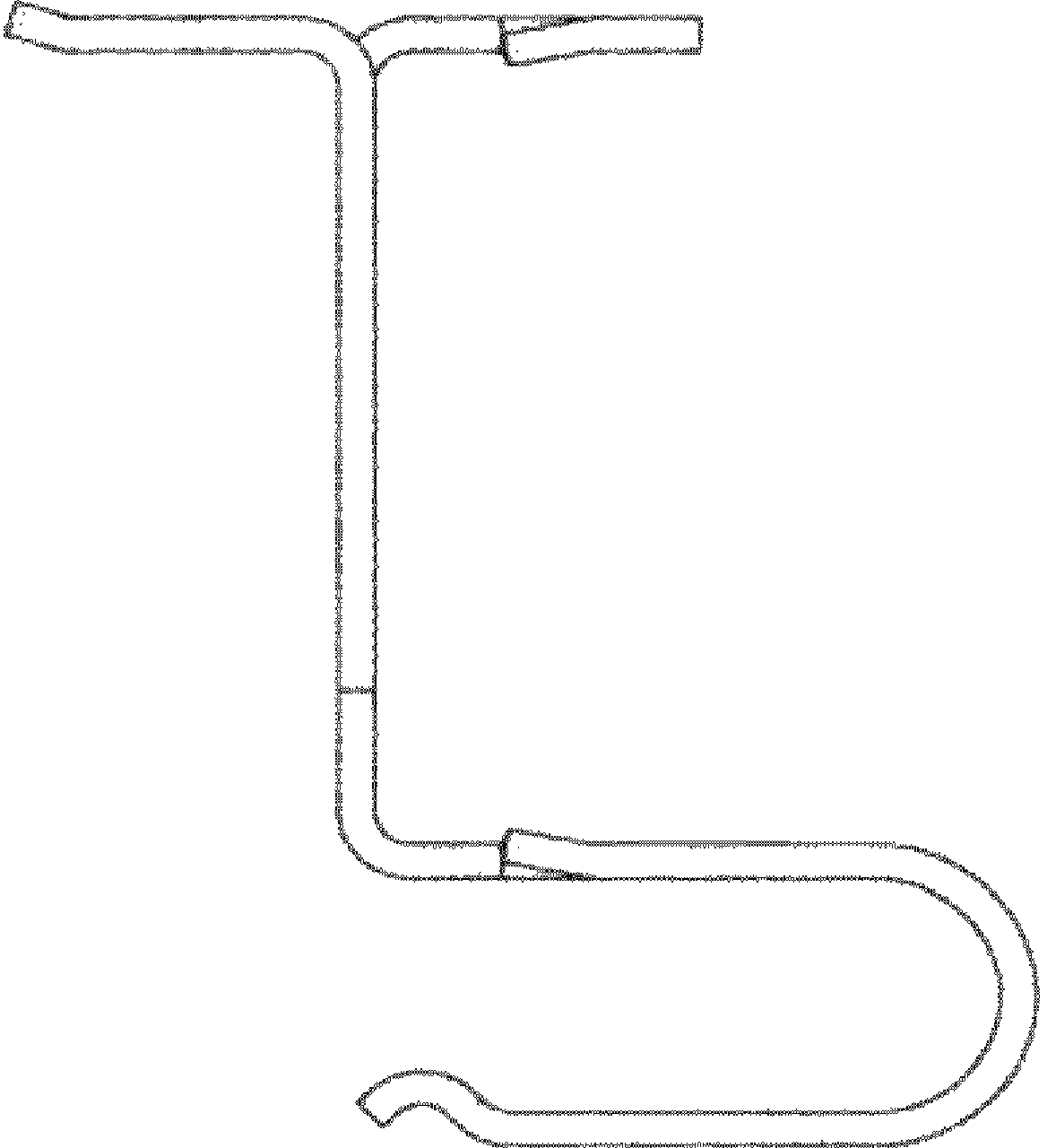


FIG. 5

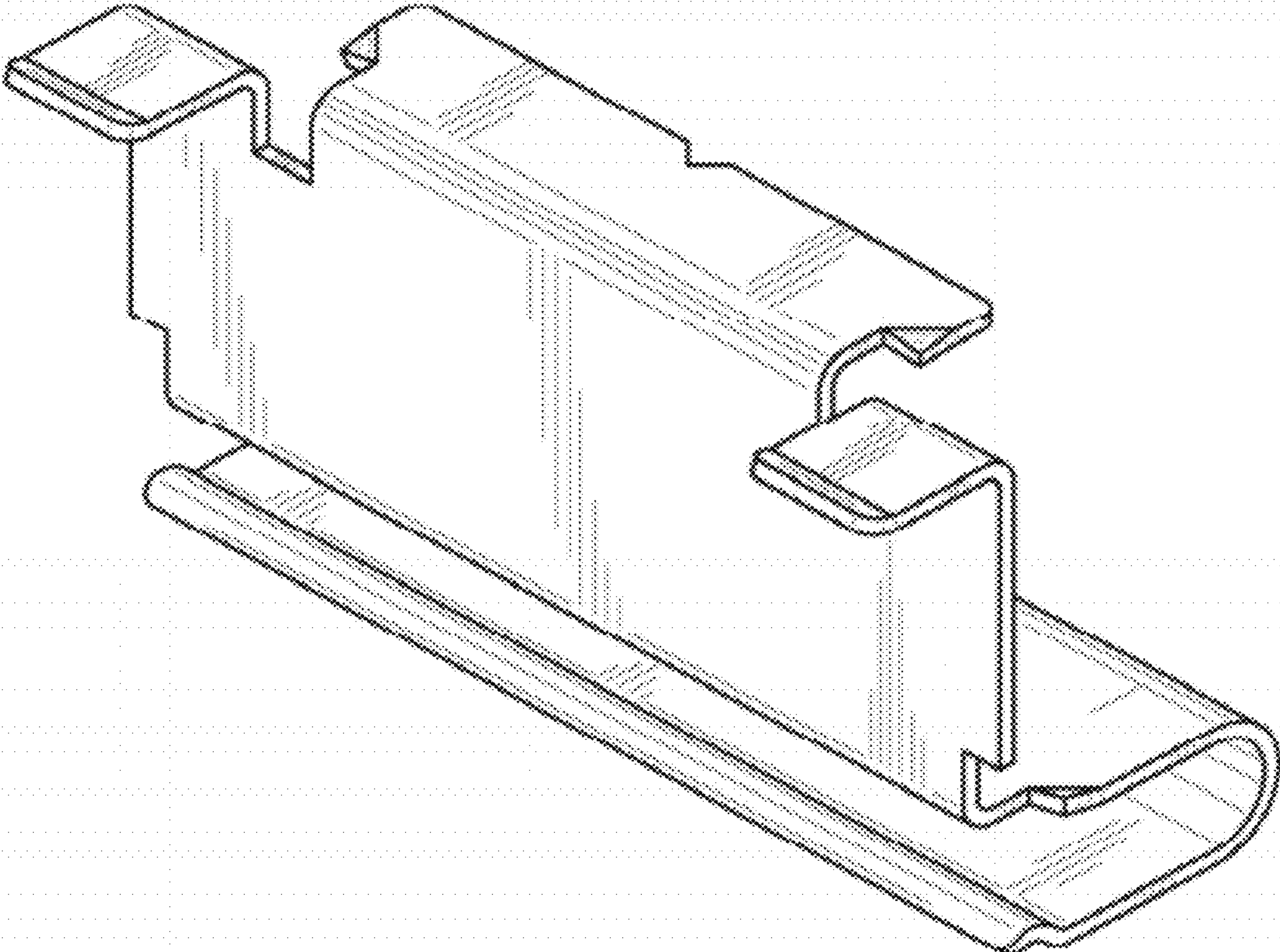


FIG. 6

UNITED STATES PATENT AND TRADEMARK OFFICE
CERTIFICATE OF CORRECTION

PATENT NO. : D673,904 S
APPLICATION NO. : 29/426640
DATED : January 8, 2013
INVENTOR(S) : Shuichi Kobayashi

Page 1 of 2

It is certified that error appears in the above-identified patent and that said Letters Patent is hereby corrected as shown below:

In the drawings,

Figure 3;

Change

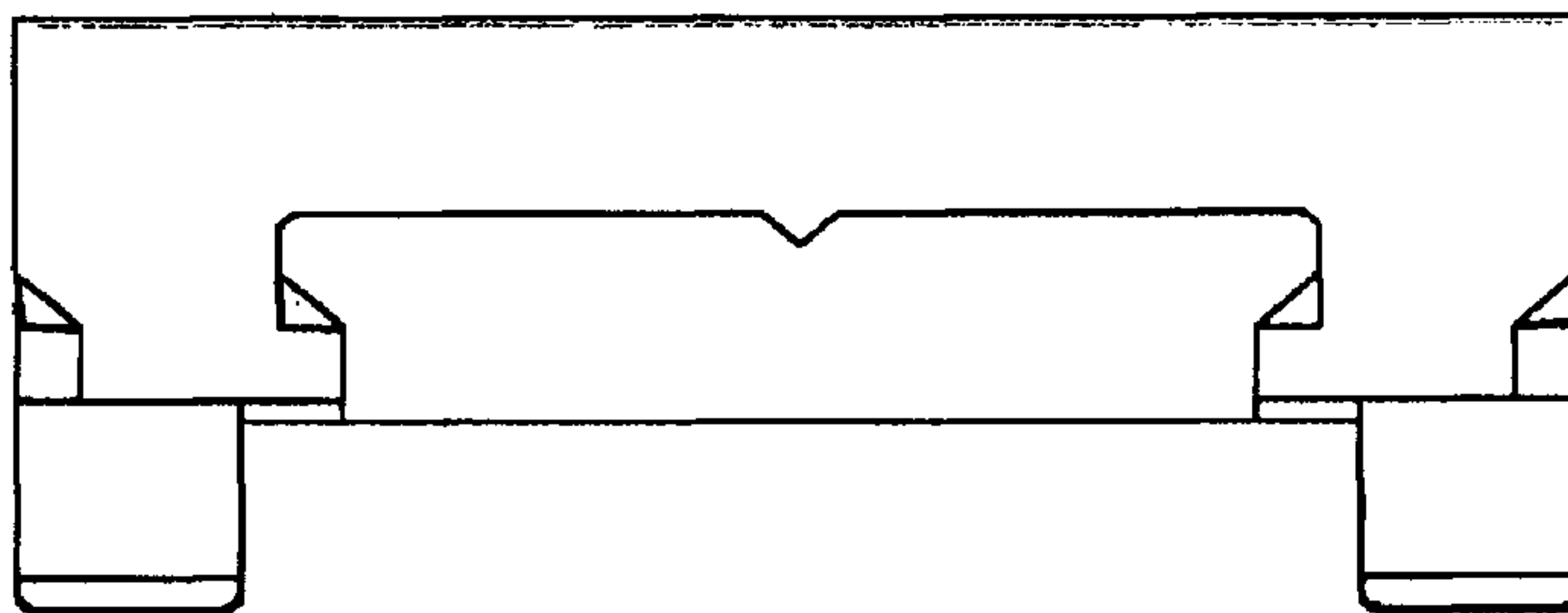


FIG. 3

To be

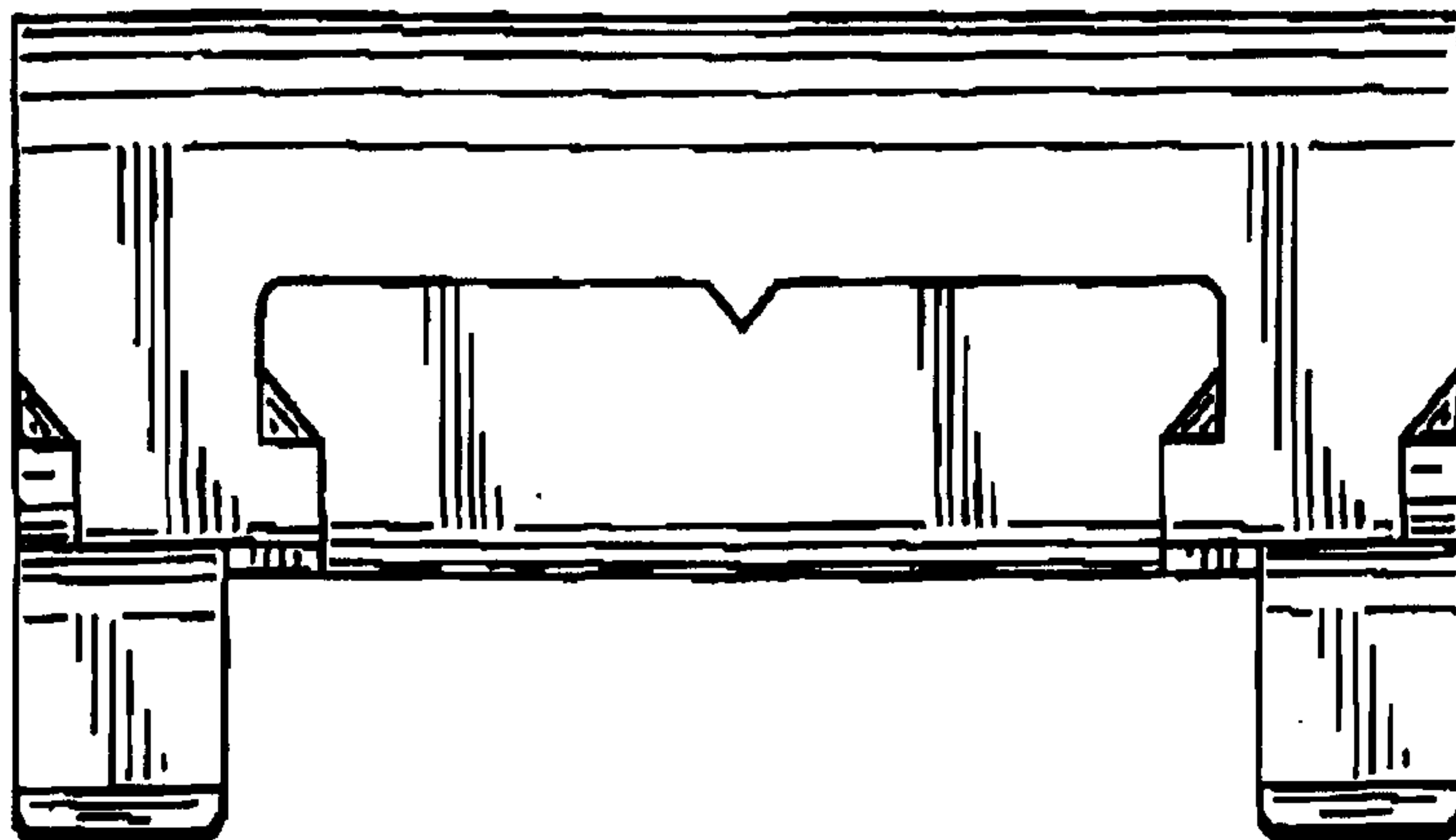


FIG.3

Signed and Sealed this
Thirtieth Day of April, 2013

Teresa Stanek Rea
Acting Director of the United States Patent and Trademark Office

Figure 5;
Change

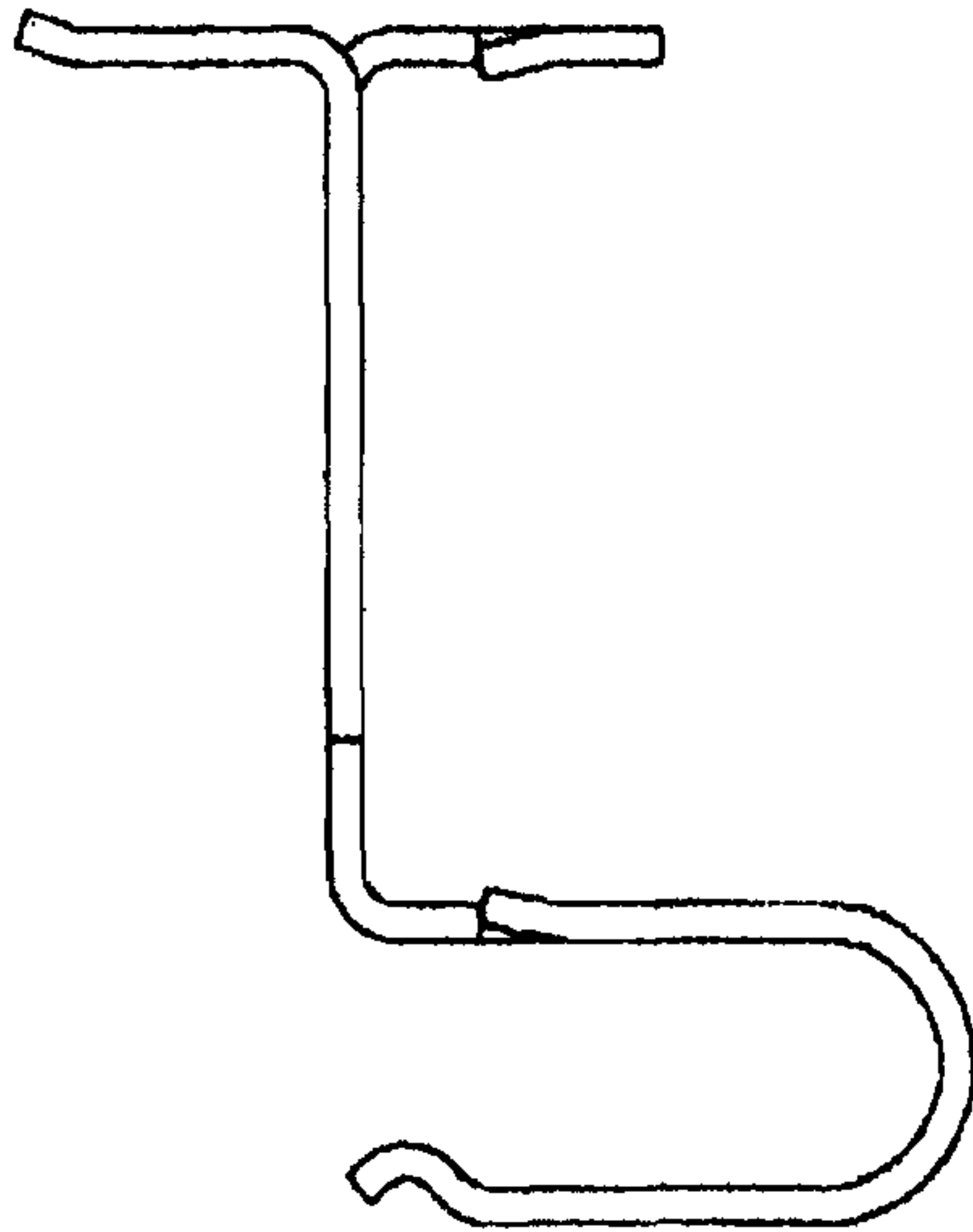


FIG. 5

To be

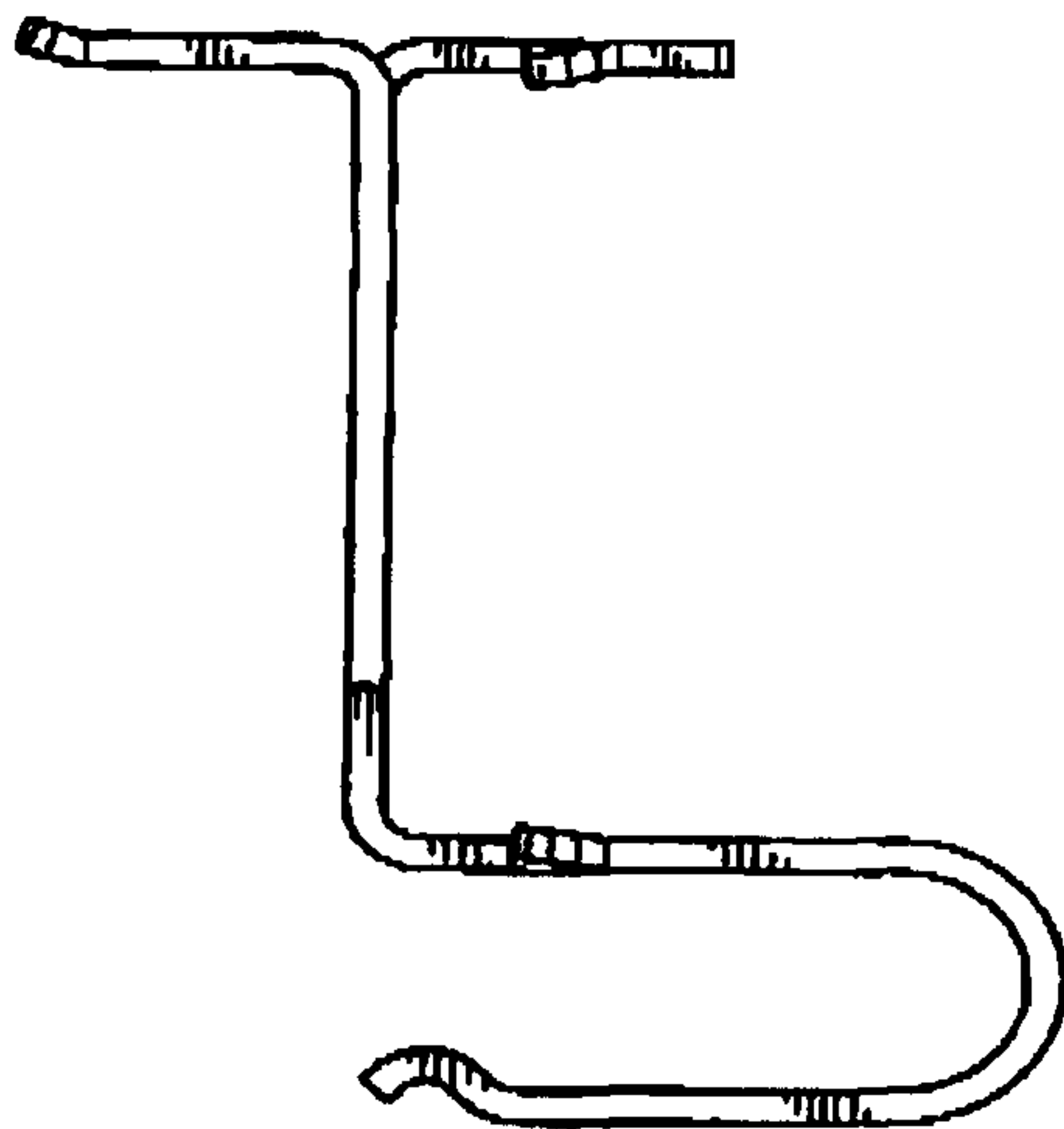


FIG. 5