



US00D673900S

(12) **United States Design Patent**
Kuwano

(10) **Patent No.:** **US D673,900 S**
(45) **Date of Patent:** **** Jan. 8, 2013**

(54) **TIRE**

(75) Inventor: **Shingo Kuwano**, Osaka (JP)

(73) Assignee: **Toyo Tire & Rubber Co., Ltd.**, Osaka (JP)

(**) Term: **14 Years**

(21) Appl. No.: **29/408,861**

(22) Filed: **Dec. 16, 2011**

(30) **Foreign Application Priority Data**

Oct. 18, 2011 (JP) 2011-023864

(51) **LOC (9) Cl.** **12-15**

(52) **U.S. Cl.** **D12/605**

(58) **Field of Classification Search** D12/500-501,
D12/544, 579, 600-605; 152/523-524, DIG. 12,
152/555; D7/588, 396.4-396.5

See application file for complete search history.

(56) **References Cited**

U.S. PATENT DOCUMENTS

D497,593 S *	10/2004	Ratliff et al.	D12/605
D569,337 S *	5/2008	Iwabuchi	D12/605
D570,768 S *	6/2008	Takahashi	D12/605
D597,025 S *	7/2009	Fujita	D12/605
D626,501 S *	11/2010	Cazin-Bourguignon	D12/605
		et al.	D12/600
D632,641 S *	2/2011	Sato	D12/605

D639,727 S *	6/2011	Tokizaki	D12/605
D640,187 S *	6/2011	Fontaine et al.	D12/605
D647,044 S *	10/2011	Takemoto	D12/605
D655,671 S *	3/2012	Yasunaga	D12/605

FOREIGN PATENT DOCUMENTS

JP D 1331537 6/2008

* cited by examiner

Primary Examiner — Stacia Cadmus

(74) *Attorney, Agent, or Firm* — Sterne, Kessler, Goldstein & Fox PLLC

(57) **CLAIM**

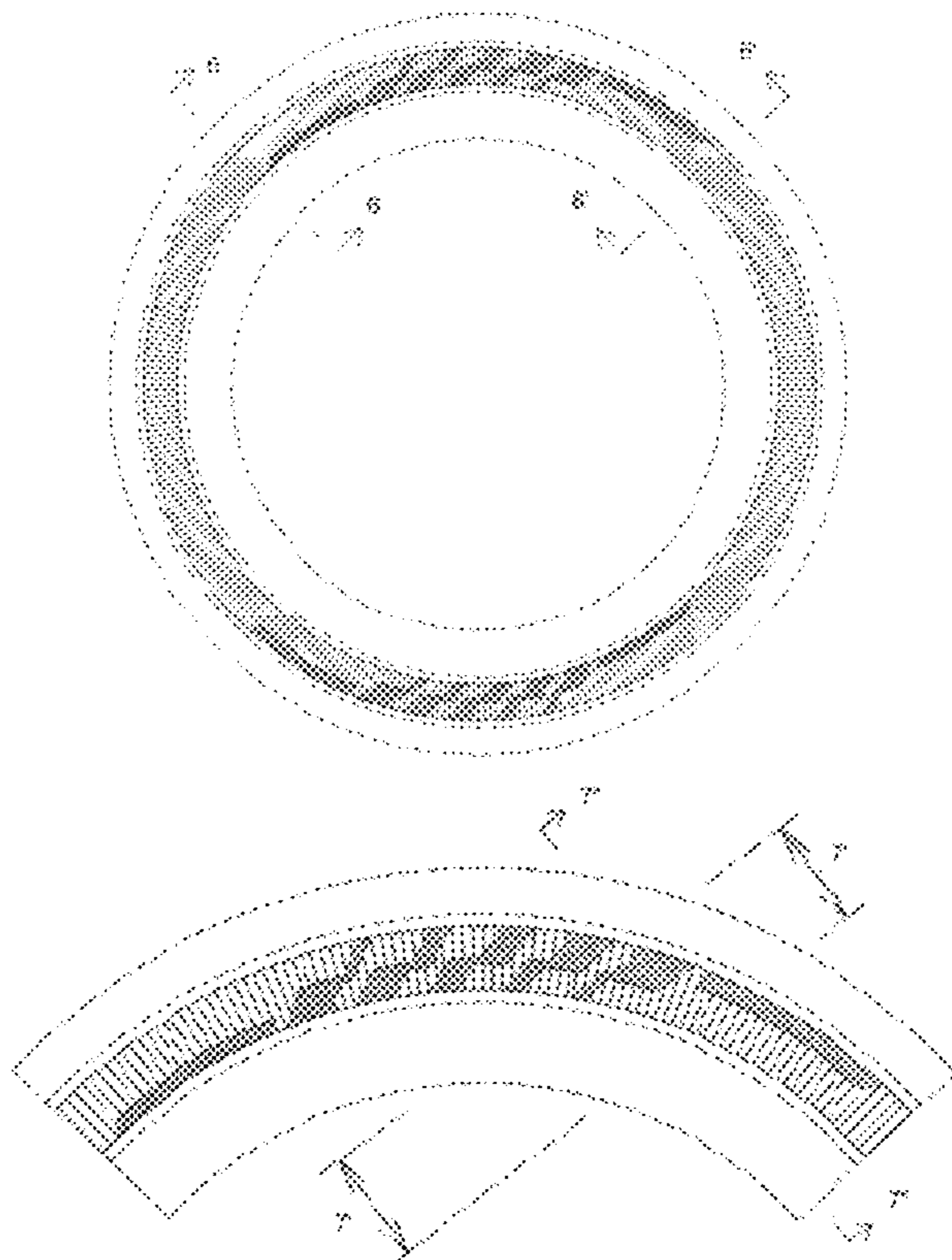
The ornamental design for a tire, as shown and described.

DESCRIPTION

FIG. 1 is a perspective view of a tire showing my new design; FIG. 2 is a front view thereof; FIG. 3 is a rear view thereof; FIG. 4 is a top plan view thereof, for which the bottom plan view is a mirror image; FIG. 5 is a left side view thereof, for which the right side view is a mirror image; FIG. 6 is an enlarged view taken along lines 6-6 and 6'-6' in FIG. 2; and, FIG. 7 is an enlarged end view taken along line 7-7 in FIG. 4 and lines 7'-7' and 7''-7'' in FIG. 6.

In the drawings, the broken lines defining portions of the tire tread, sidewall, and inner bead depict environmental subject matter that forms no part of the claimed design.

1 Claim, 6 Drawing Sheets



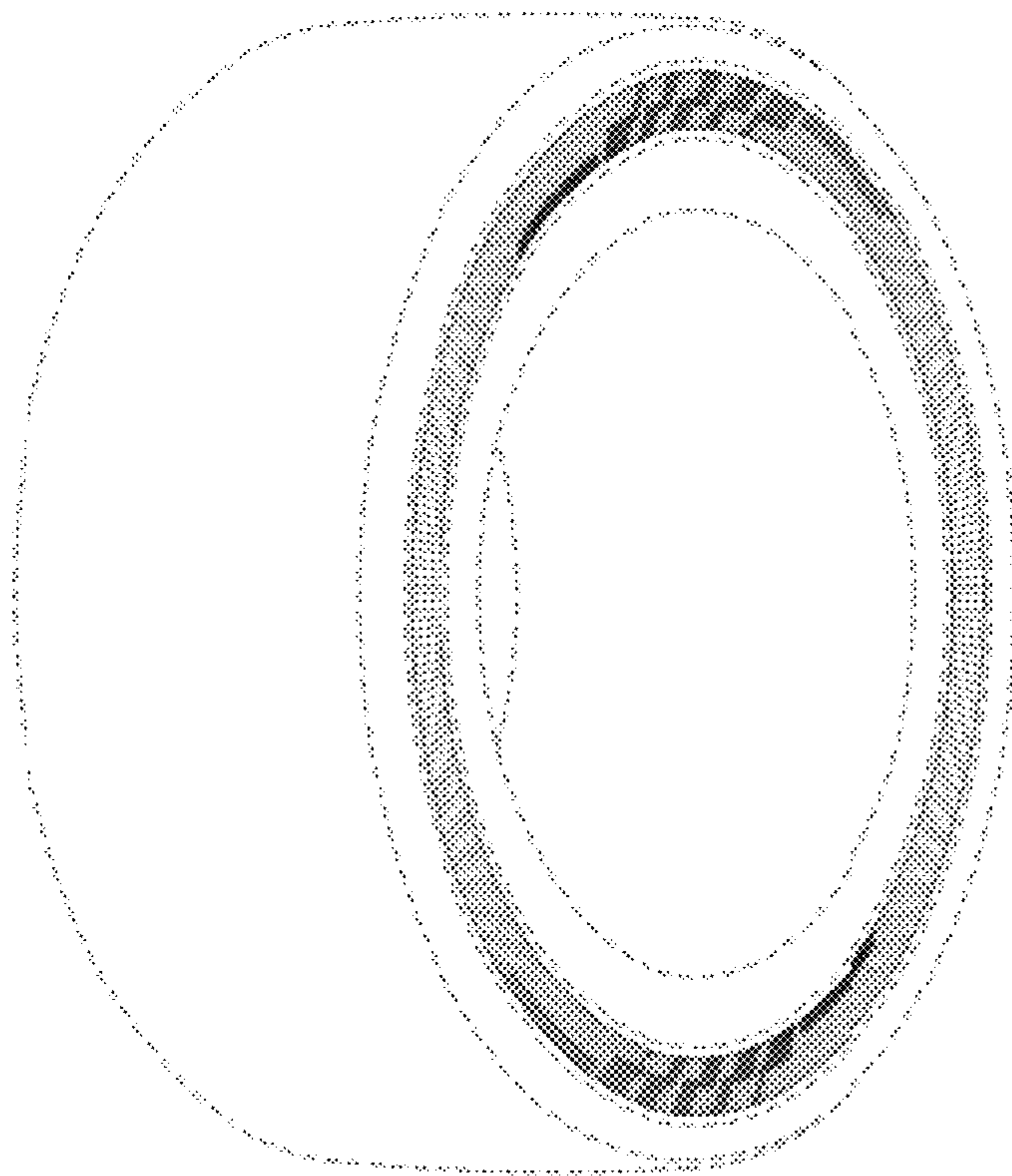


FIG. 1

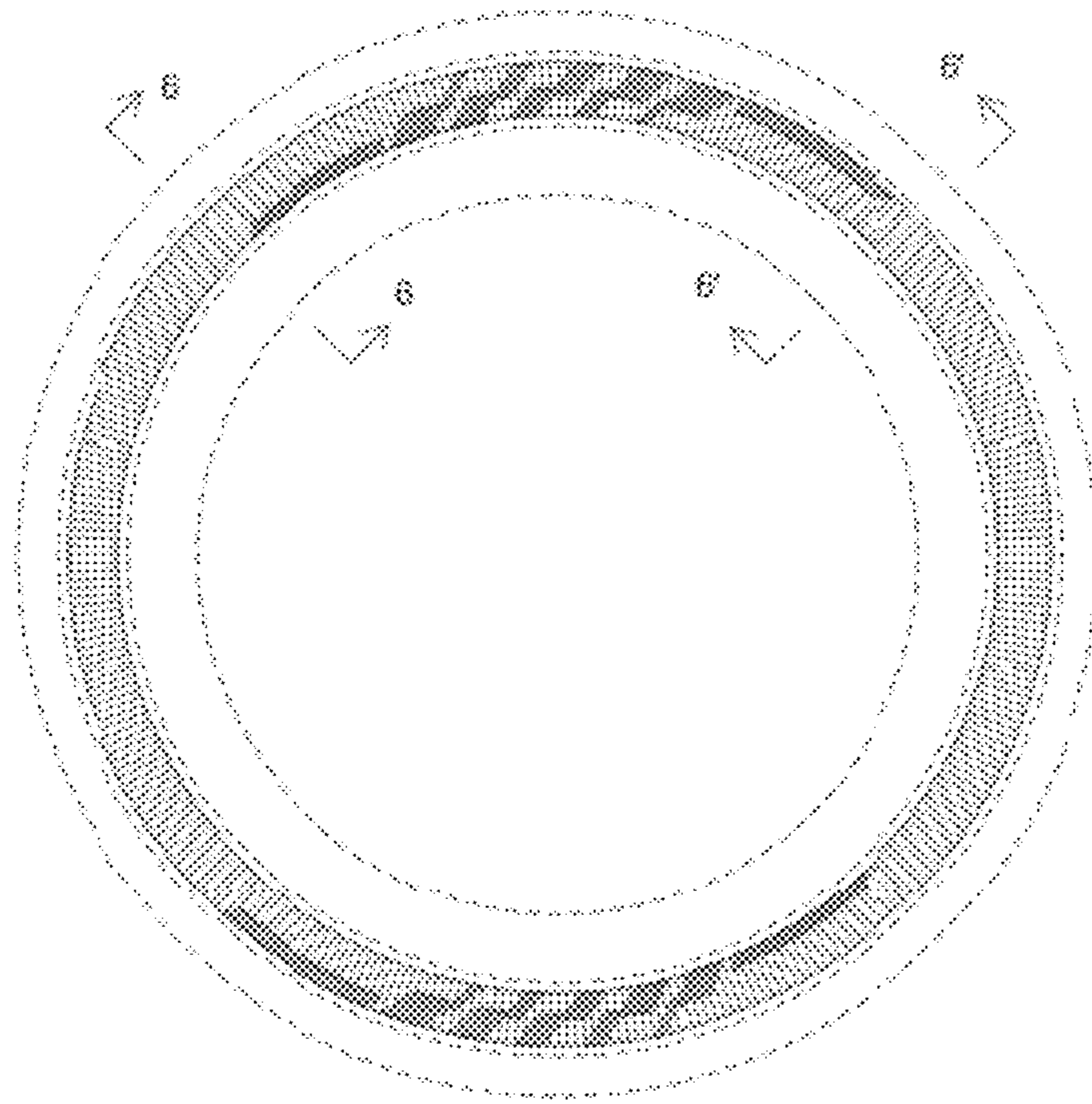


FIG. 2

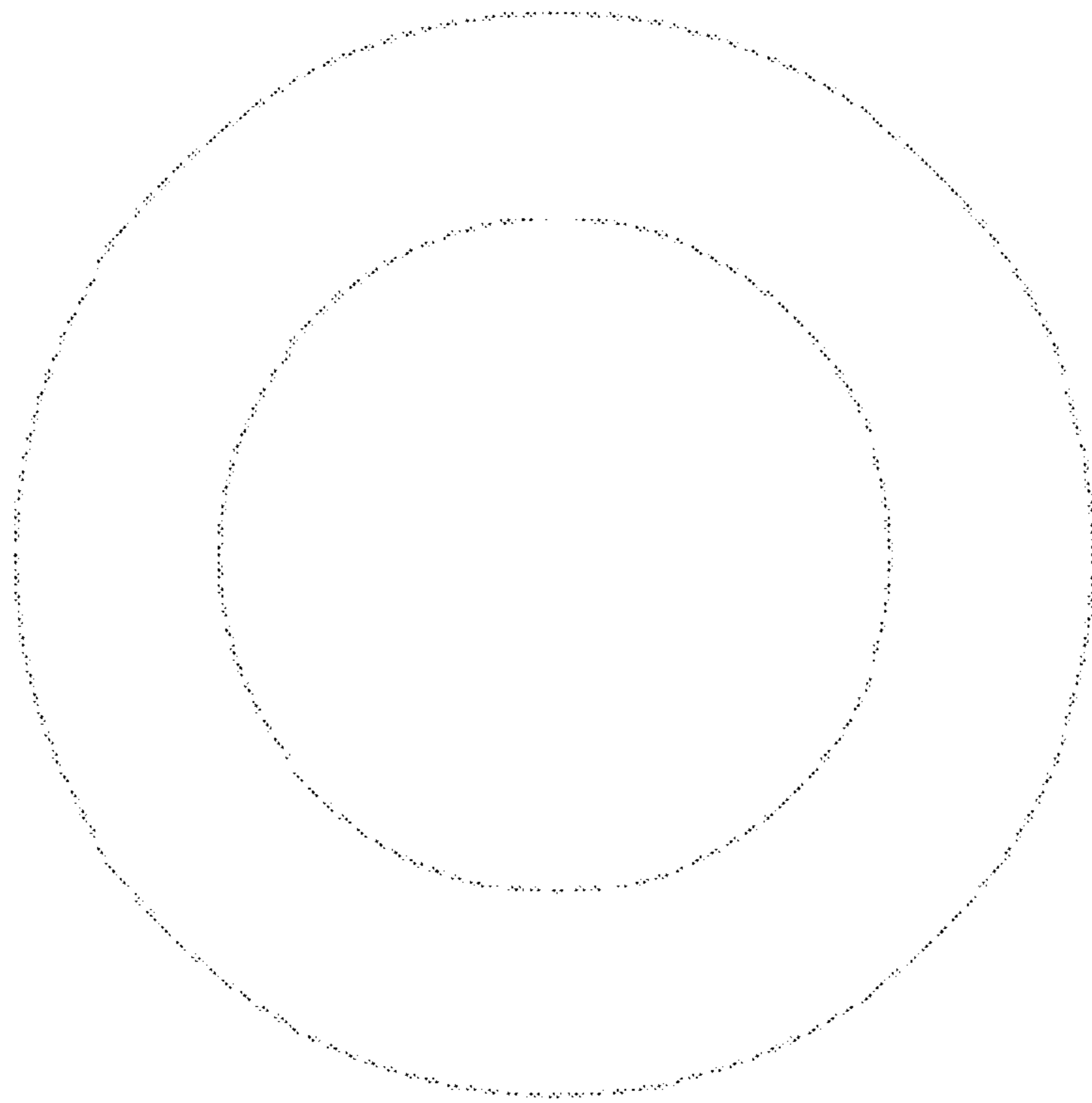


FIG. 3

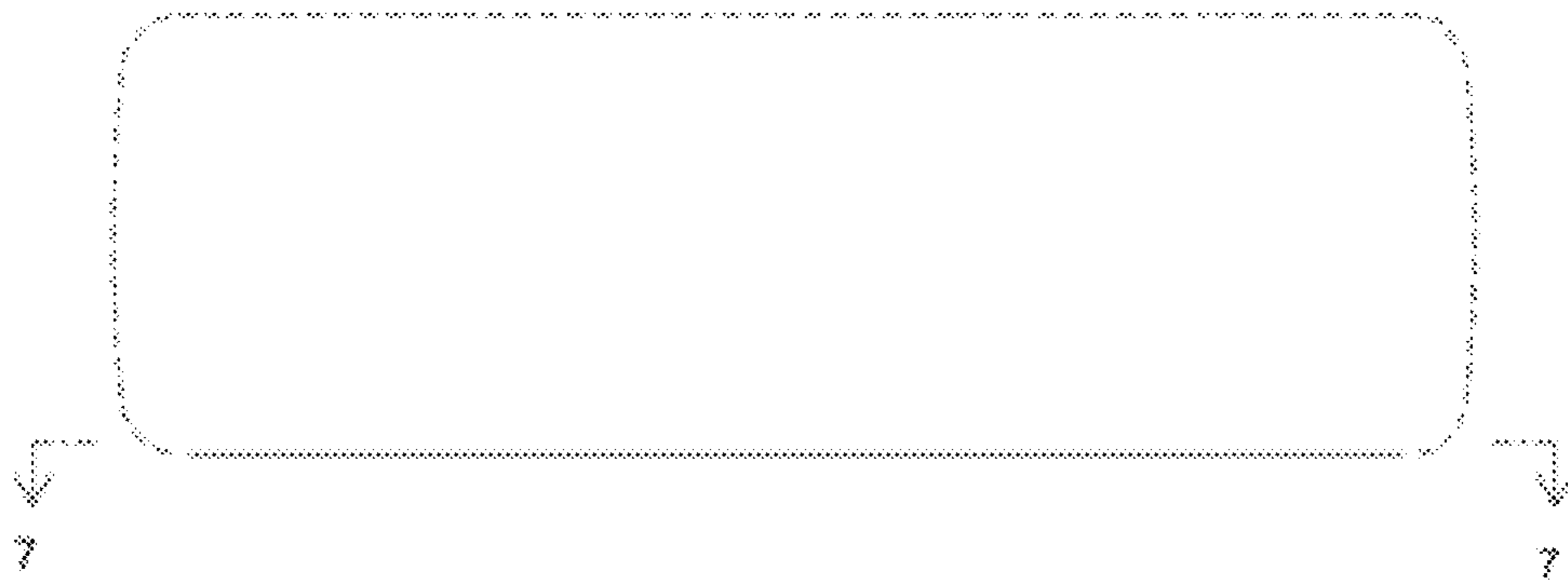


FIG. 4

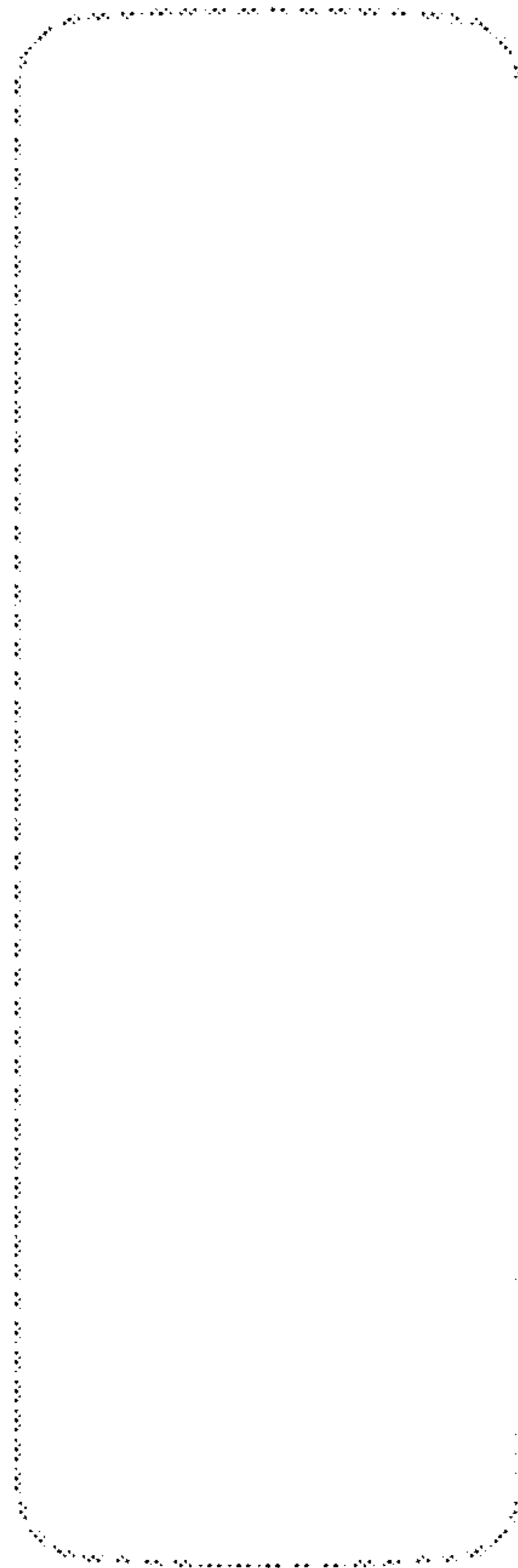


FIG. 5

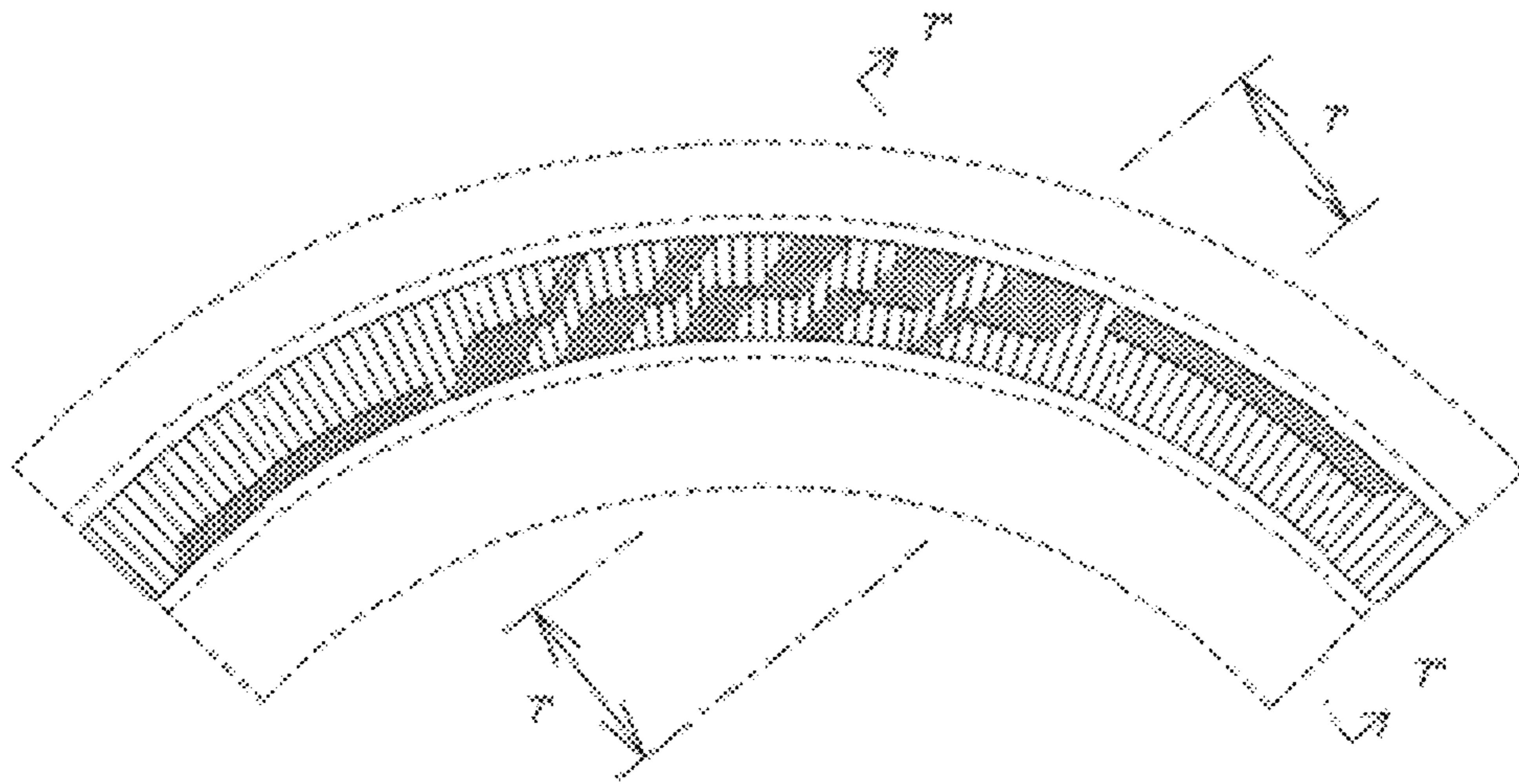


FIG. 6

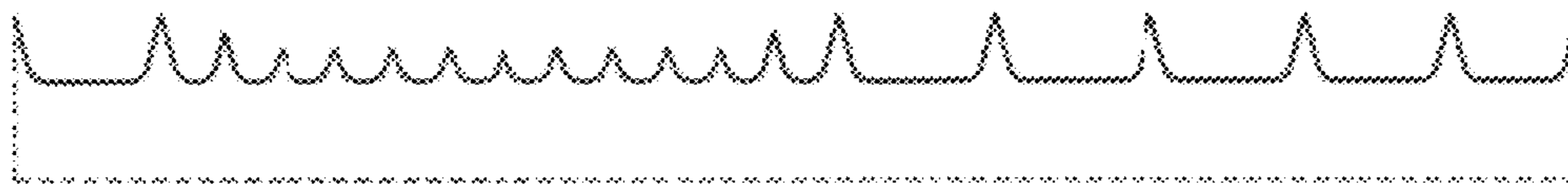


FIG. 7