

US00D673897S

(12) **United States Design Patent**  
**Krier**

(10) **Patent No.:** **US D673,897 S**

(45) **Date of Patent:** **\*\* Jan. 8, 2013**

- (54) **TIRE**
- (75) Inventor: **Jean-Julien Edouard Ghislain Krier**,  
Bastogne (BE)
- (73) Assignee: **The Goodyear Tire & Rubber**  
**Company, Akron, OH (US)**
- (\*\*) Term: **14 Years**
- (21) Appl. No.: **29/404,510**
- (22) Filed: **Oct. 21, 2011**
- (51) **LOC (9) Cl.** ..... **12-15**
- (52) **U.S. Cl.** ..... **D12/587**
- (58) **Field of Classification Search** ..... D12/505-532,  
D12/596, 594; 152/209.1-209.28  
See application file for complete search history.

- D429,188 S 8/2000 Schuster et al. .... D12/143
- 6,488,064 B1 \* 12/2002 Radulescu ..... 152/209.14
- D496,329 S 9/2004 Thomas et al. .... D12/583
- D500,010 S 12/2004 Maziarka et al. .... D12/590
- D601,082 S 9/2009 Cazin-Bourguignon  
et al. .... D12/583
- 2008/0099115 A1 \* 5/2008 Ohara ..... 152/209.19
- 2008/0128063 A1 \* 6/2008 Ohara ..... 152/209.19

\* cited by examiner

*Primary Examiner* — George D Kirschbaum

(74) *Attorney, Agent, or Firm* — Richard B. O'Planick

(57) **CLAIM**

The ornamental design for a tire, as shown and described.

**DESCRIPTION**

FIG. 1 is a perspective view of a tire showing my new design, it being understood that the pattern repeats uniformly throughout the circumference of the tread;

FIG. 2 is a front elevational view thereof;

FIG. 3 is a right side elevational view thereof; the opposite side elevational view being identical thereto;

FIG. 4 is an enlarged fragmentary front elevational view thereof;

FIG. 5 is a perspective view of a second embodiment of a tire showing my new design, it being understood that the pattern repeats uniformly throughout the circumference of the tread and that the opposite side view is identical thereto; and,

FIG. 6 is a front elevational view of a second embodiment, it being understood that an enlarged fragmentary view thereof would be substantially identical to that shown in FIG. 4, with the exception of the inclusion of the sidewall in solid lines.

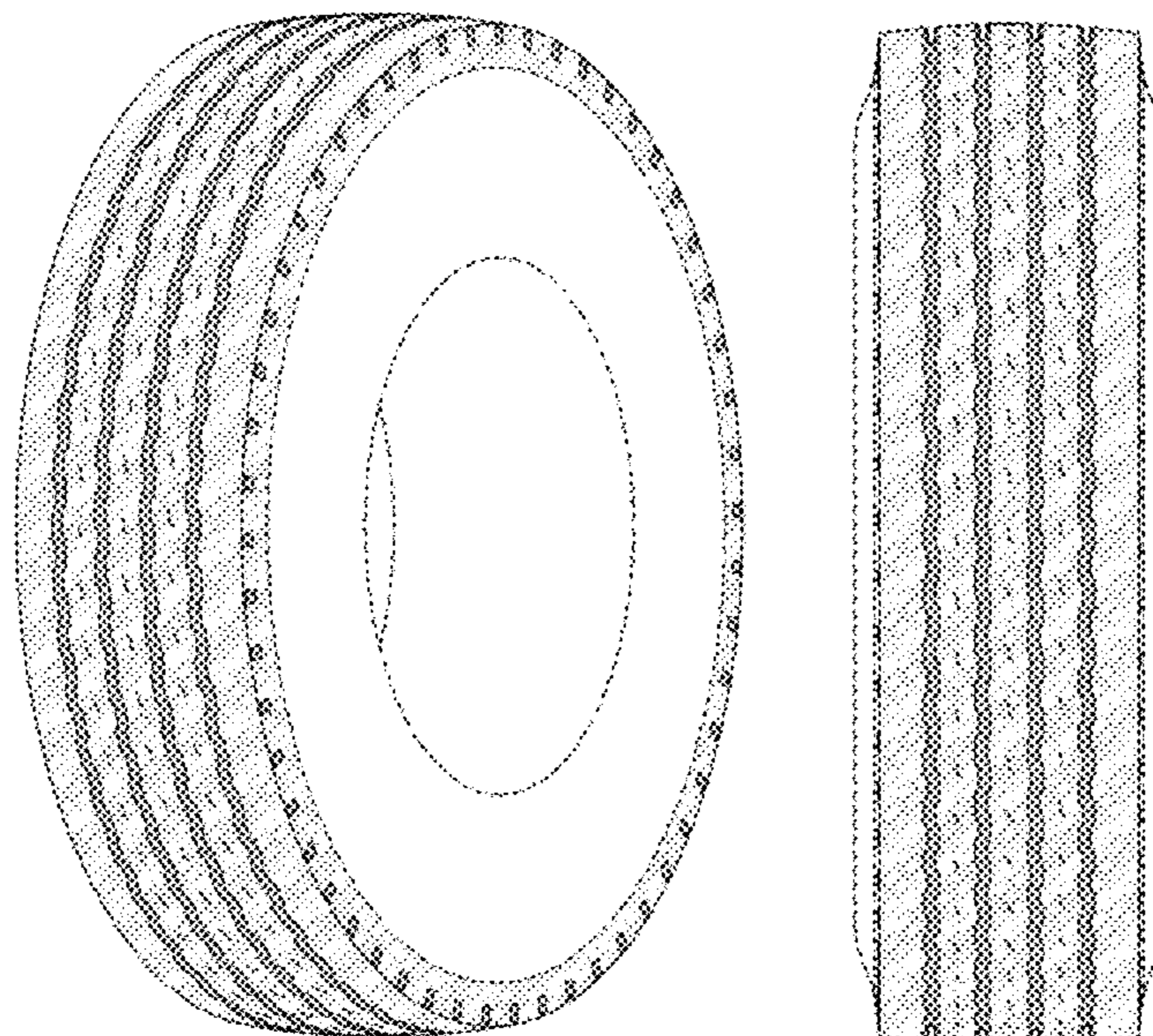
In the drawings, the broken lines showing of the sidewall, inner bead and the peripheral boundary between the tire tread and the sidewall in FIGS. 1 through 4 depict environmental subject matter and form no part of the claimed design.

(56) **References Cited**

U.S. PATENT DOCUMENTS

D175,996 S	11/1955	Amspoker	.....	D90/20
D265,184 S	6/1982	Hammond	.....	D12/143
D269,002 S	5/1983	Hammond	.....	D12/143
D269,003 S	5/1983	Hammond	.....	D12/143
D288,914 S	3/1987	Hinkel et al.	.....	D12/143
D289,025 S	3/1987	Stelzer	.....	D12/142
D313,208 S	12/1990	Cottrell	.....	D12/143
D348,238 S	6/1994	Ebbott	.....	D12/141
D352,487 S	11/1994	Paulin et al.	.....	D12/143
D367,447 S	2/1996	Hammond et al.	.....	D12/143
D382,518 S	8/1997	Labbe et al.	.....	D12/143
D382,519 S	8/1997	Young et al.	.....	D12/143
D388,030 S	12/1997	Schuster	.....	D12/142
D388,031 S	12/1997	Loeffler et al.	.....	D12/143
D390,511 S	2/1998	Rowe	.....	D12/143
D391,533 S	3/1998	Labbe et al.	.....	D12/143
D397,646 S	9/1998	Labbe et al.	.....	D12/143
D402,236 S	12/1998	Harris et al.	.....	D12/142
D402,237 S	12/1998	Harris et al.	.....	D12/142
D402,238 S	12/1998	Young et al.	.....	D12/142
D415,721 S	* 10/1999	Zurita	.....	D12/586

**1 Claim, 6 Drawing Sheets**





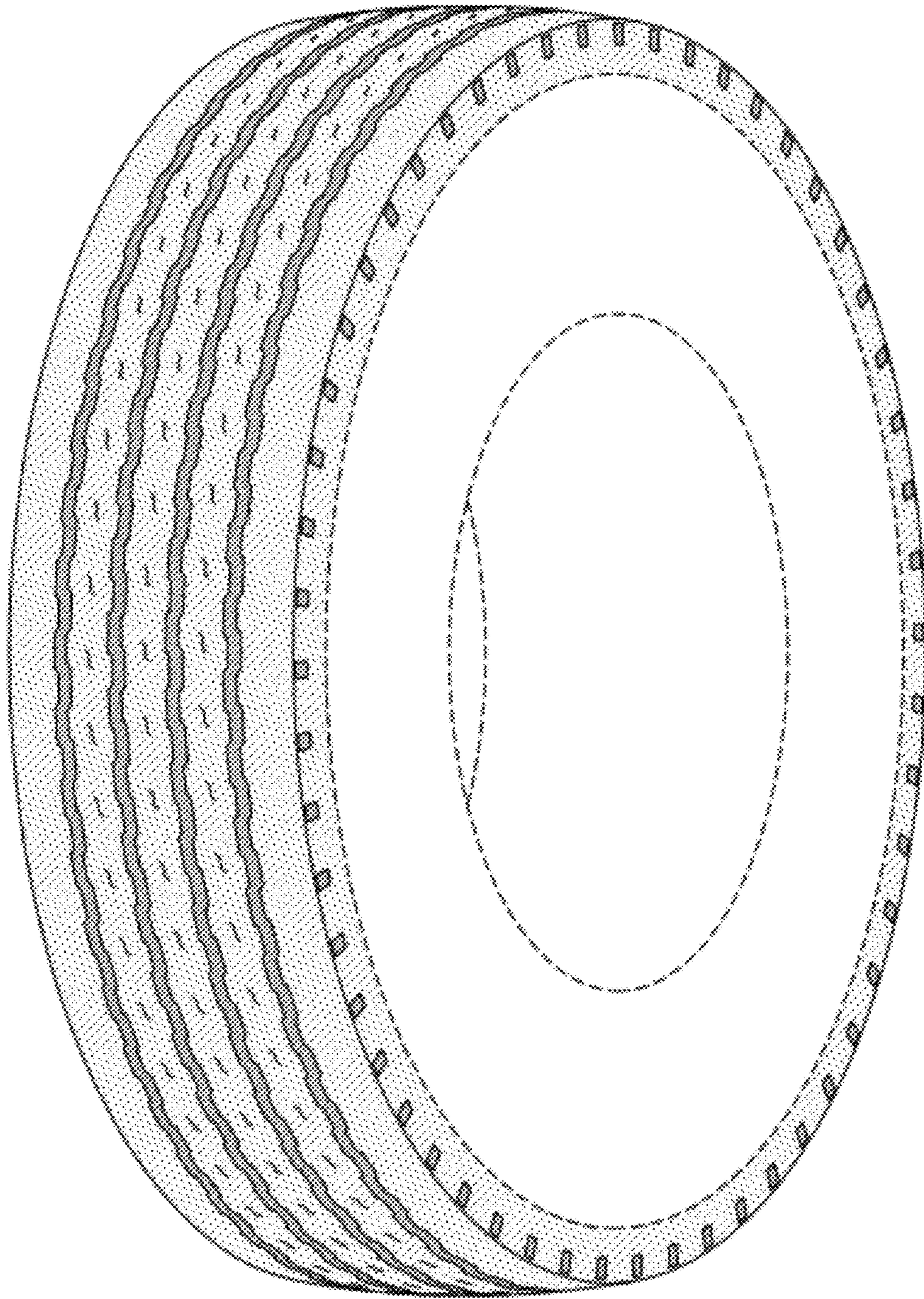


FIG-1



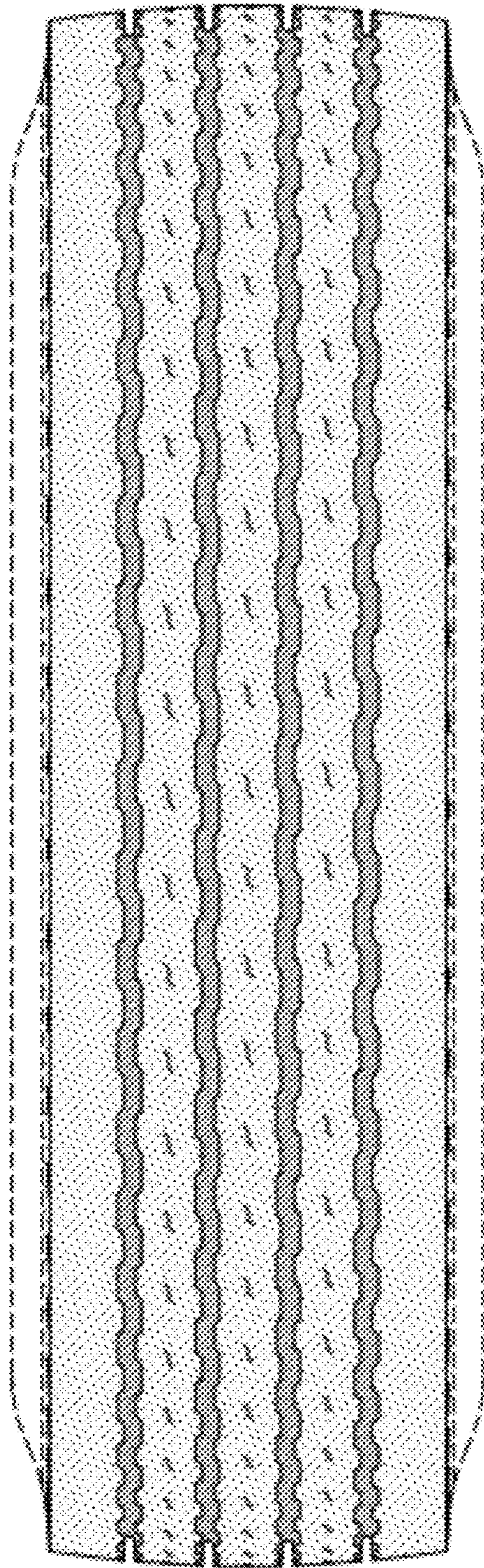


FIG-2

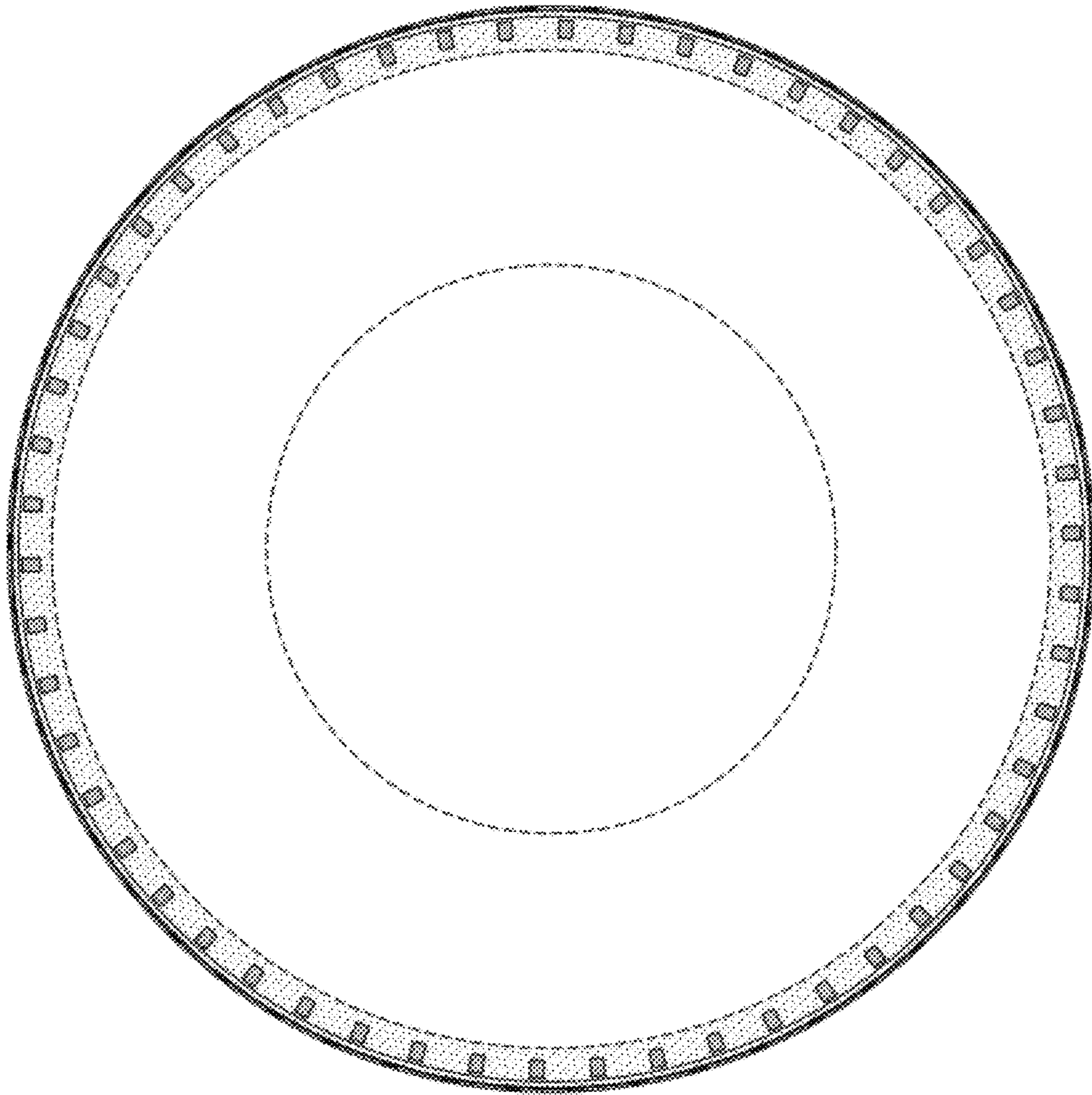


FIG-3



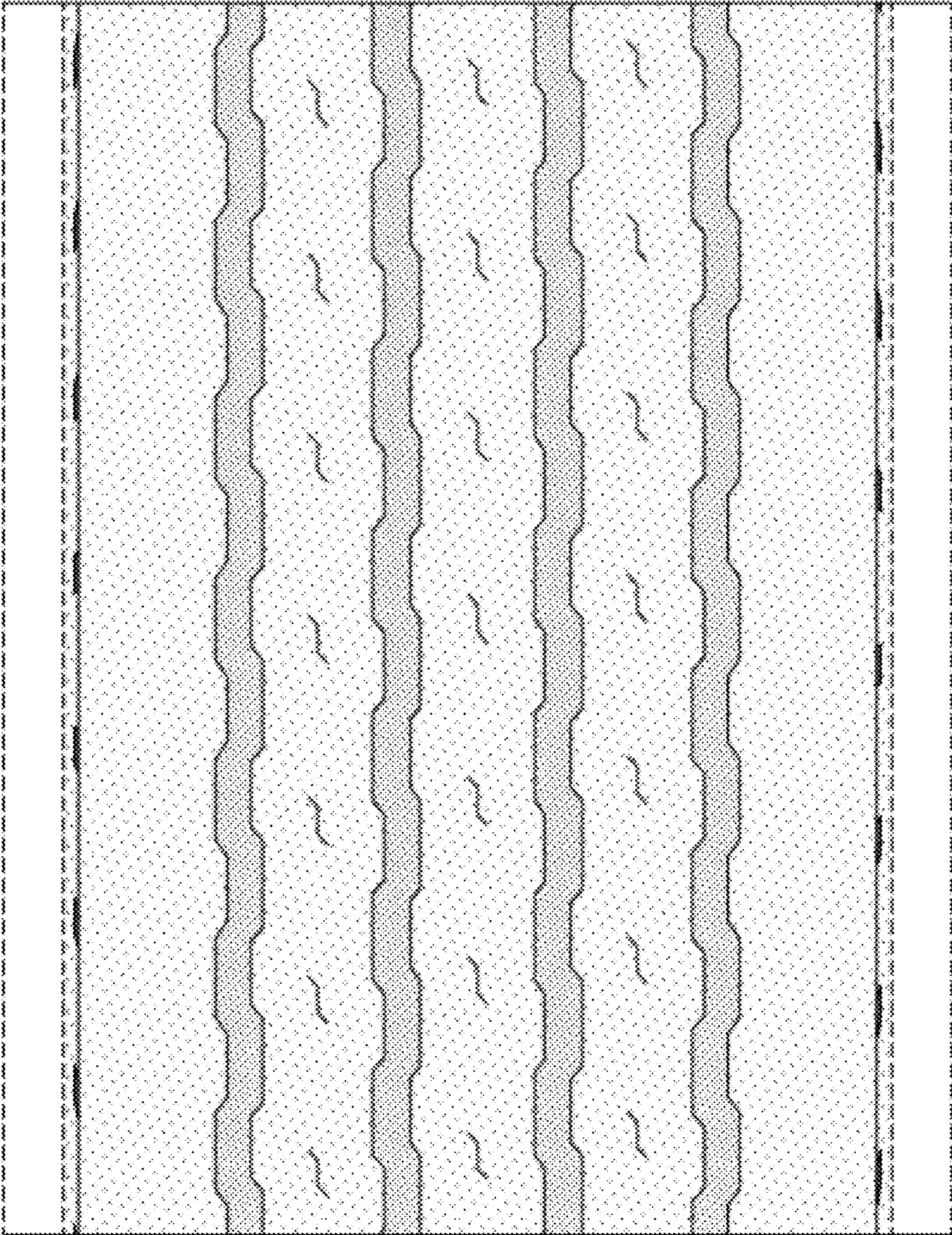


FIG-4



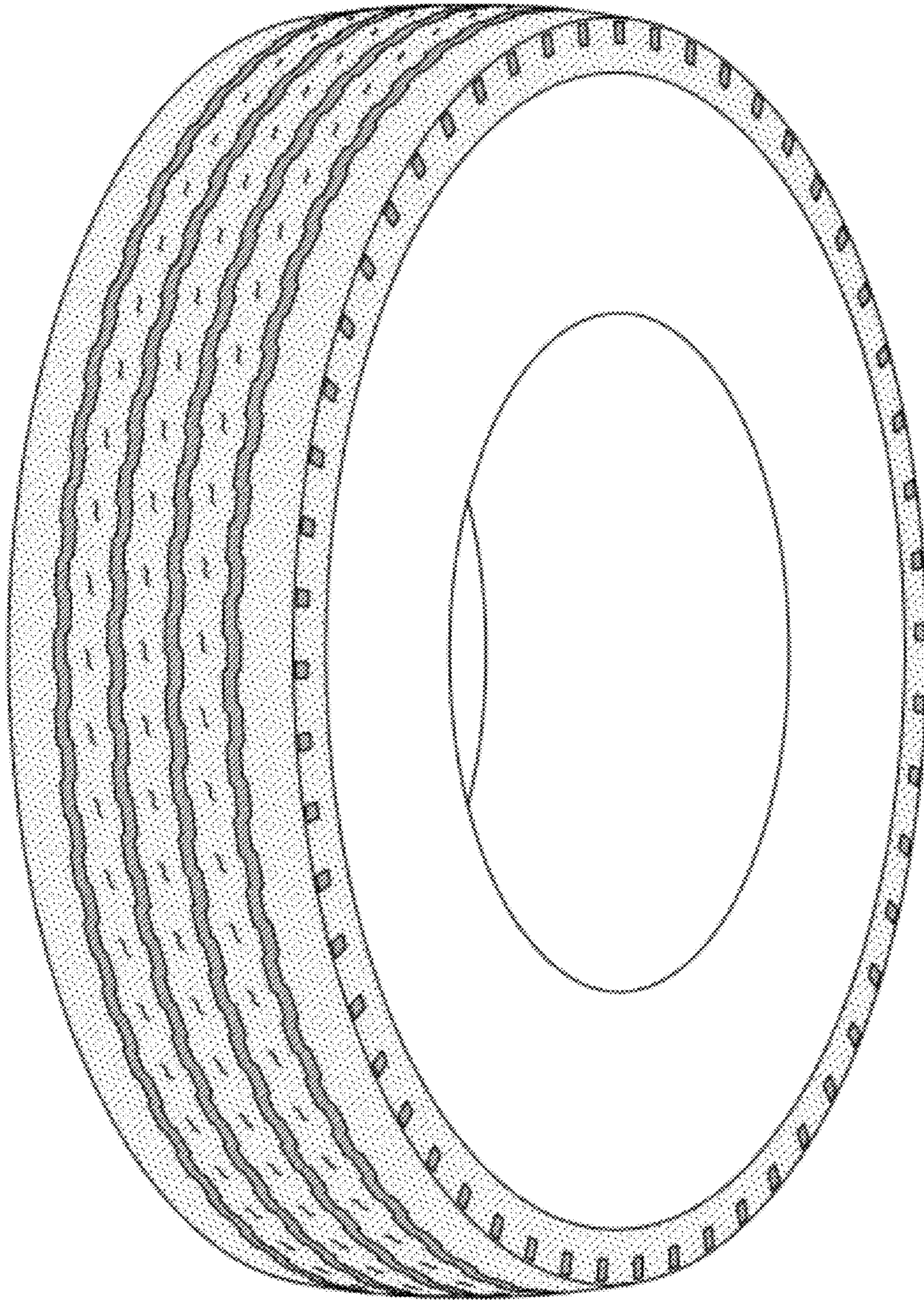


FIG-5



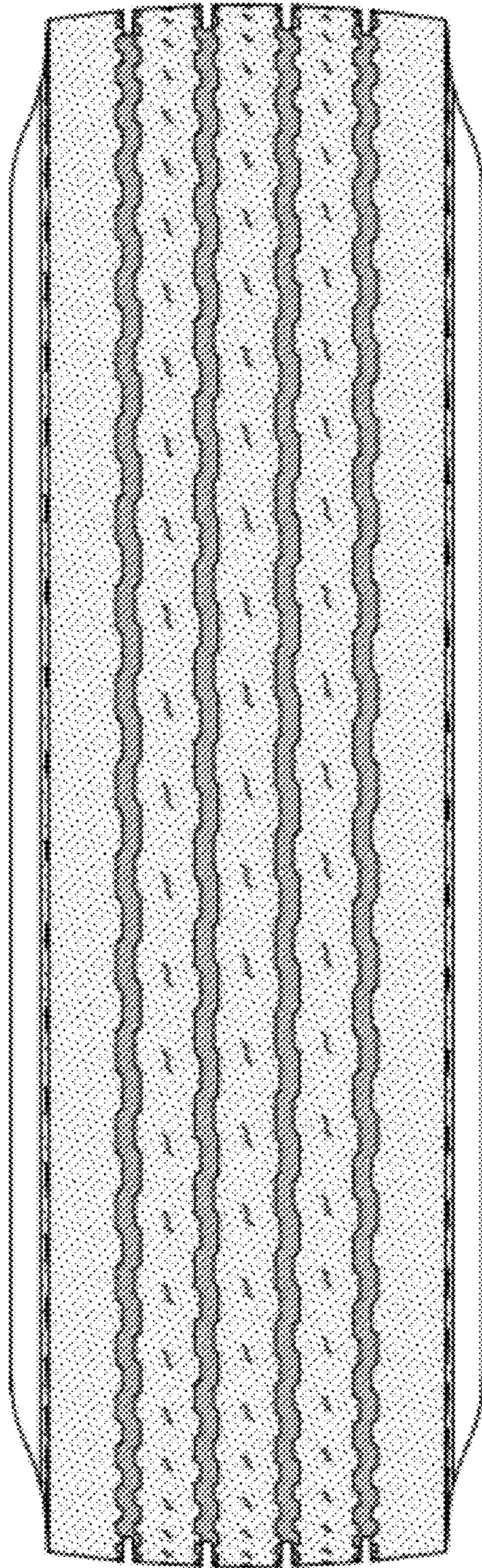


FIG-6