



US00D673895S

(12) **United States Design Patent**
Smith et al.

(10) **Patent No.:** **US D673,895 S**
(45) **Date of Patent:** **** *Jan. 8, 2013**

(54) **TIRE TREAD**

(76) Inventors: **Christopher W. Smith**, Cedar Grove, TN (US); **Rodney A. McMichen**, Ranburne, AL (US)

(*) Notice: This patent is subject to a terminal disclaimer.

(**) Term: **14 Years**

(21) Appl. No.: **29/420,516**

(22) Filed: **May 10, 2012**

(51) **LOC (9) Cl.** **12-15**

(52) **U.S. Cl.** **D12/579**

(58) **Field of Classification Search** D12/568-603,
D12/900-901, 544;
152/209.1-209.9, 209.11-209.19, 209.21-209.28,
152/455

See application file for complete search history.

(56) **References Cited**

U.S. PATENT DOCUMENTS

D293,093 S *	12/1987	Nishio et al.	D12/544
D312,064 S *	11/1990	Duncan	D12/579
D367,448 S *	2/1996	Baus et al.	D12/579
D389,441 S *	1/1998	Rooney	D12/544

D413,557 S *	9/1999	Bonko	D12/579
D444,110 S *	6/2001	Umstot et al.	D12/544
D450,020 S *	11/2001	Takagi	D12/579
D580,346 S *	11/2008	Lo	D12/544
D610,072 S *	2/2010	Wallet et al.	D12/579
D612,799 S *	3/2010	Wallet et al.	D12/579
D633,859 S *	3/2011	Shan et al.	D12/579
D636,721 S *	4/2011	Wallet et al.	D12/579

* cited by examiner

Primary Examiner — Stacia Cadmus

(74) *Attorney, Agent, or Firm* — Wood, Herron & Evans, L.L.P.

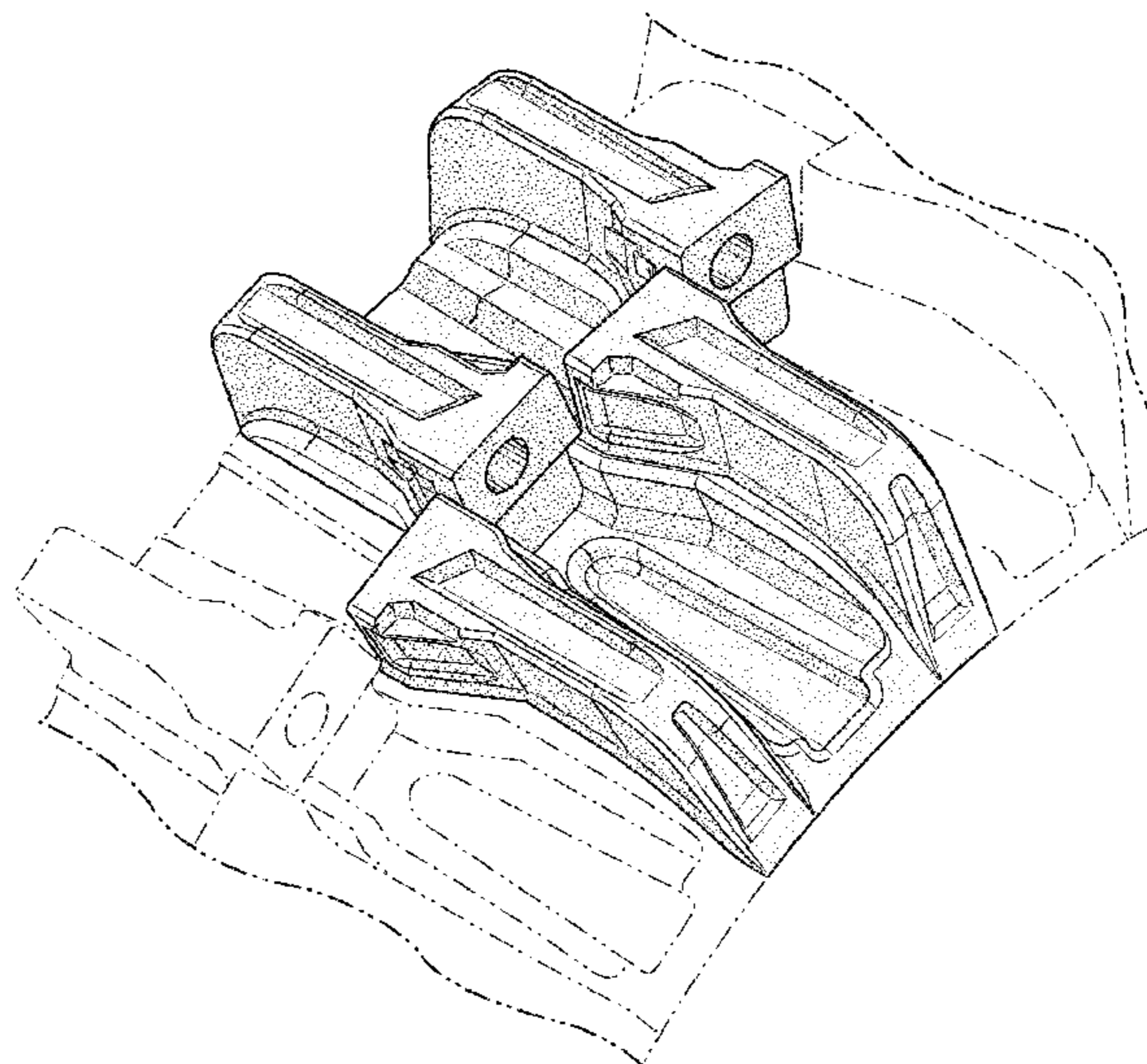
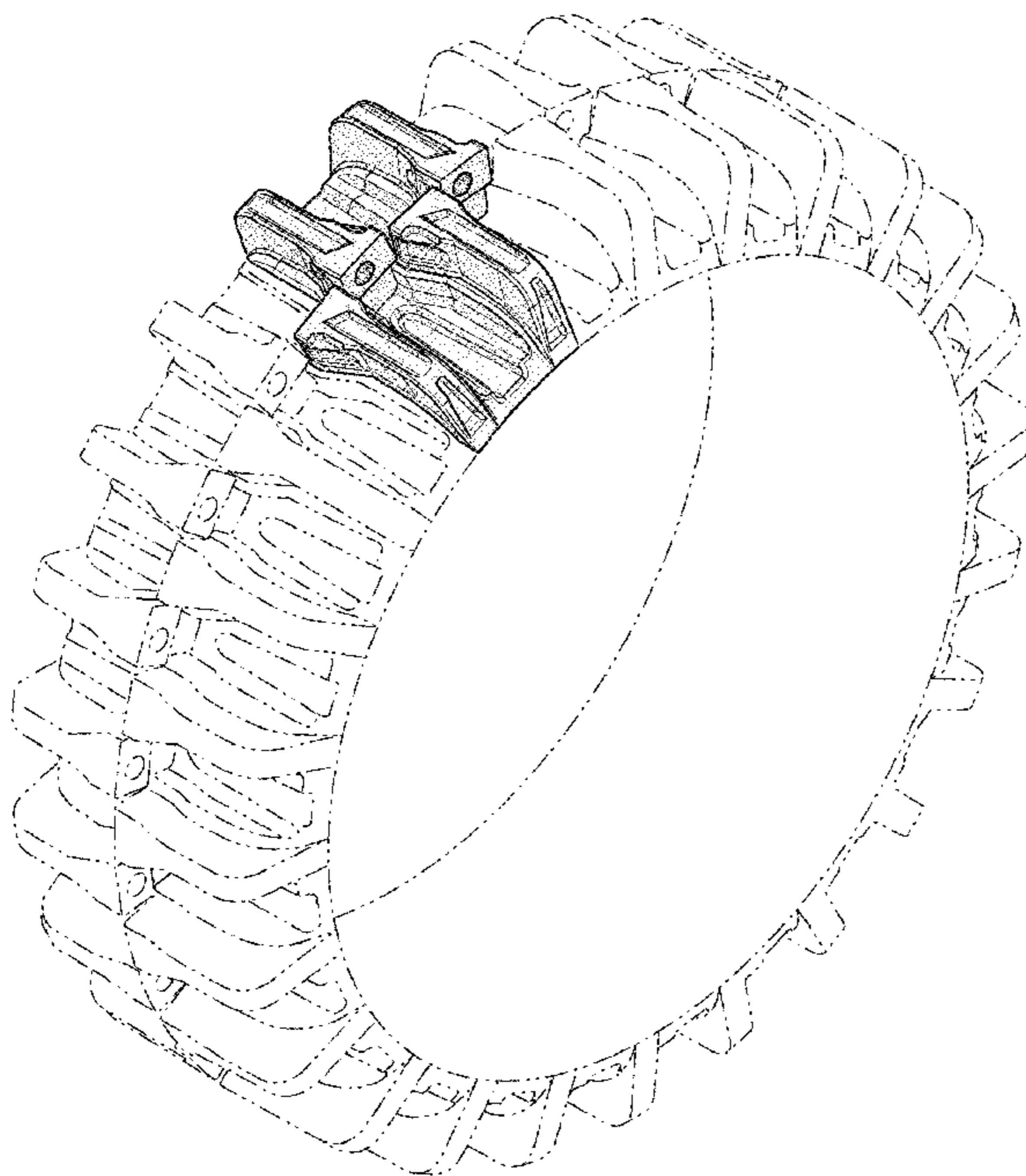
(57) **CLAIM**

The ornamental design for a tire tread, as shown and described.

DESCRIPTION

FIG. 1 is a perspective view of our new design of a tire tread. FIG. 2 is an enlarged perspective view thereof. FIG. 3 is a front elevational view thereof. FIG. 4 is a left side elevational view thereof, with the right side elevational view being a mirror image thereof; and, FIG. 5 is a cross-sectional view along line 5-5 of FIG. 4. The broken lines in the Figures are for illustrative purposes only and form no part of the claimed tire tread.

1 Claim, 5 Drawing Sheets



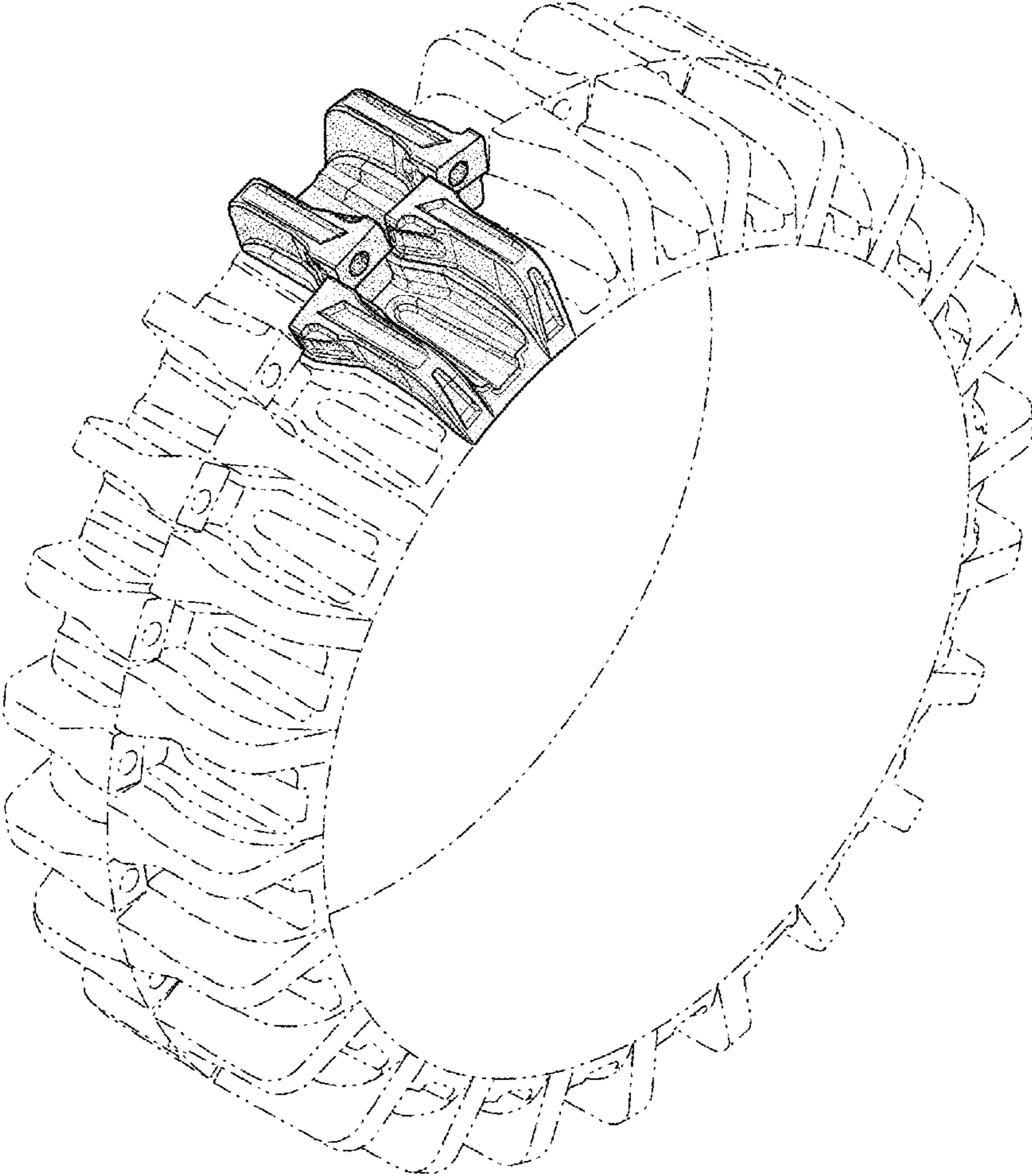


FIG. 1

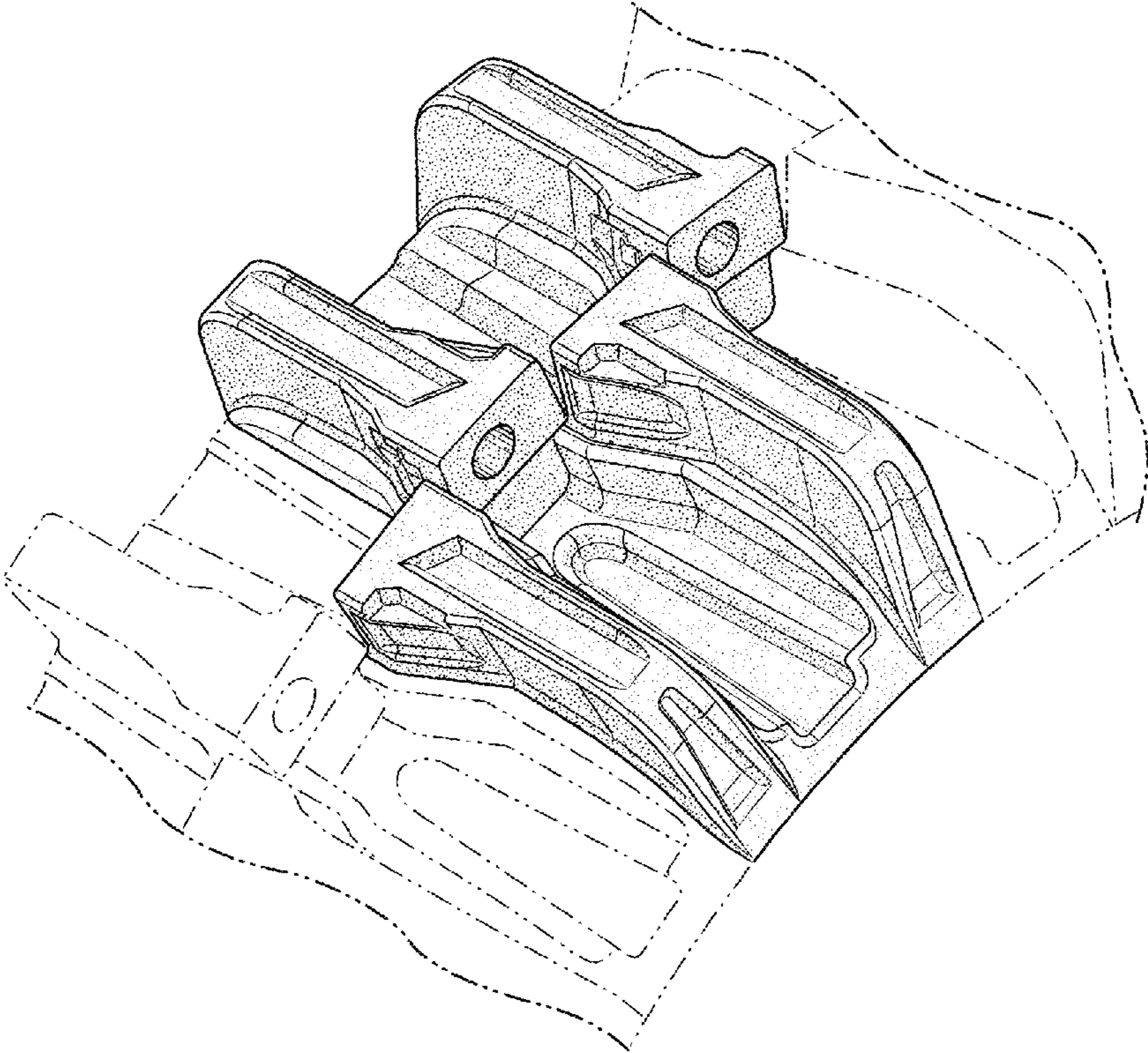


FIG. 2

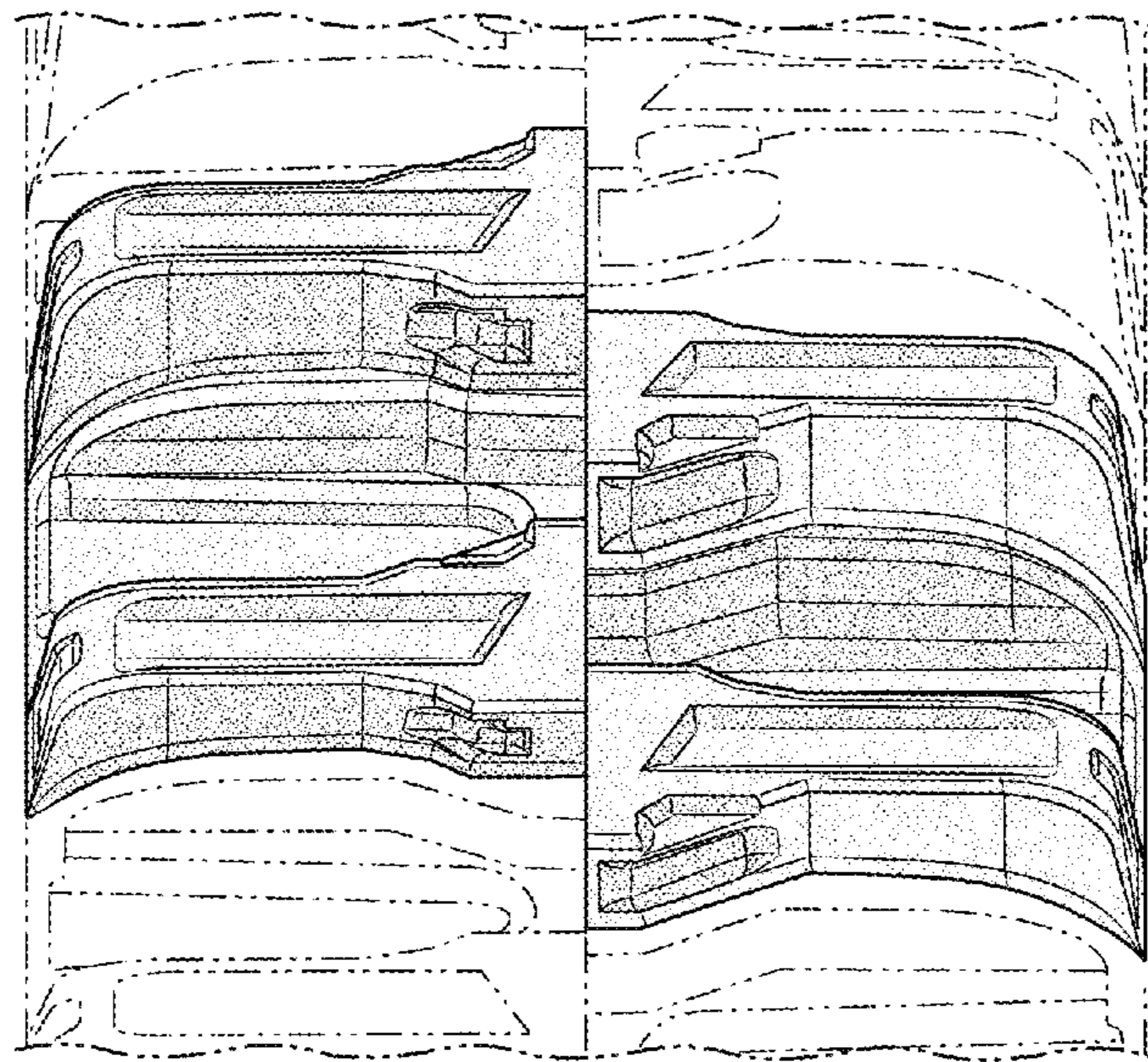


FIG. 3

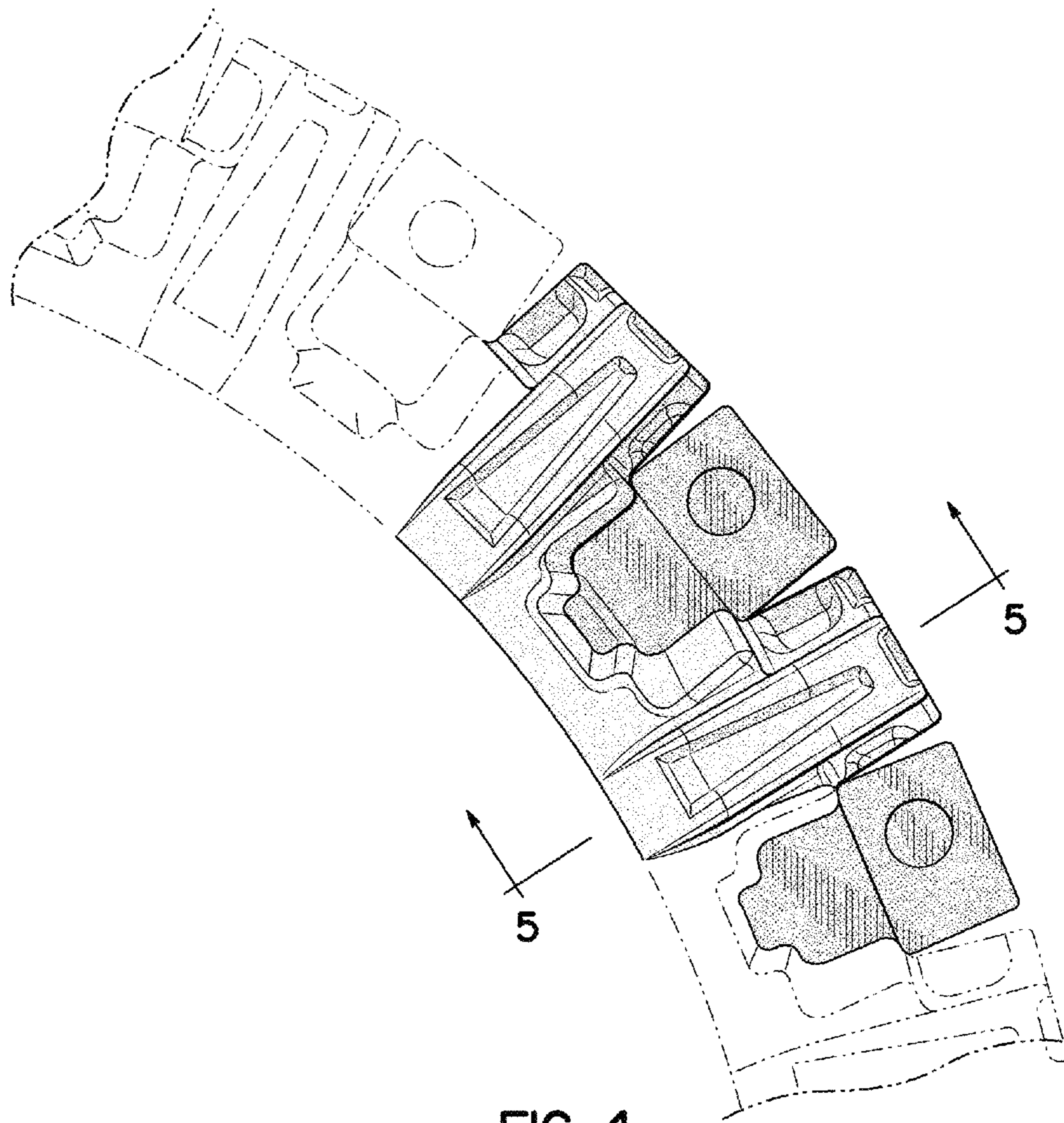


FIG. 4

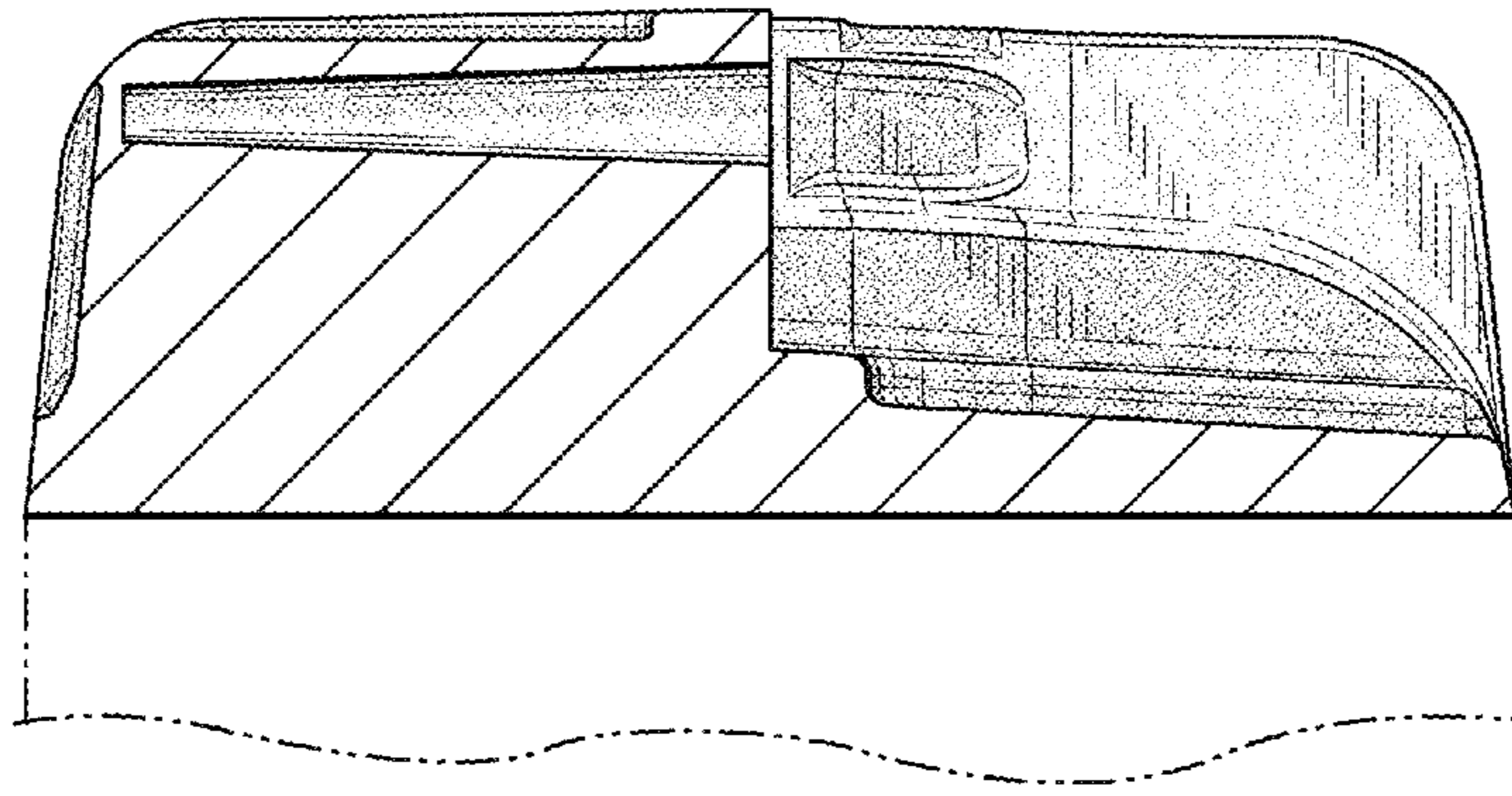


FIG. 5