



US00D673893S

(12) **United States Design Patent**
Leendertse et al.

(10) **Patent No.:** **US D673,893 S**
(45) **Date of Patent:** **** Jan. 8, 2013**

- (54) **TIRE**
- (75) Inventors: **Jaap Leendertse**, Milan (IT); **Helmut Wolfgang Fehl**, Schluechtern (DE); **Klaus Schulmeister**, Alzenau (DE); **Bernd Richard Loewenhaupt**, Groß-Rohrheim (DE); **Peter Glasner**, Muehlheim (DE)
- (73) Assignee: **The Goodyear Tire & Rubber Company**, Akron, OH (US)
- (**) Term: **14 Years**
- (21) Appl. No.: **29/414,721**
- (22) Filed: **Mar. 2, 2012**
- (51) **LOC (9) Cl.** **12-15**
- (52) **U.S. Cl.** **D12/518**
- (58) **Field of Classification Search** D12/500–532, D12/900–901; 152/209.1–209.9, 209.11–209.19, 152/209.21–209.28, 455
See application file for complete search history.

D571,282 S	6/2008	Murata et al.	D12/523
D583,302 S	12/2008	Shavers et al.	D12/518
D584,215 S	1/2009	Shavers et al.	D12/532
D600,629 S *	9/2009	Takahashi	D12/518
D607,809 S	1/2010	Fontaine et al.	D12/523
D623,586 S	9/2010	Fontaine et al.	D12/519
D630,998 S	1/2011	Schmalix et al.	D12/519
D634,261 S	3/2011	Schmalix et al.	D12/519
D642,971 S *	8/2011	Takahashi	D12/518
D647,454 S *	10/2011	Fabing et al.	D12/518
D647,455 S *	10/2011	Frappart et al.	D12/518
D651,160 S *	12/2011	Jacobs	D12/518

* cited by examiner

Primary Examiner — Stacia Cadmus

(74) *Attorney, Agent, or Firm* — Richard B. O’Planick

(57) **CLAIM**

The ornamental design for a tire, as shown and described.

DESCRIPTION

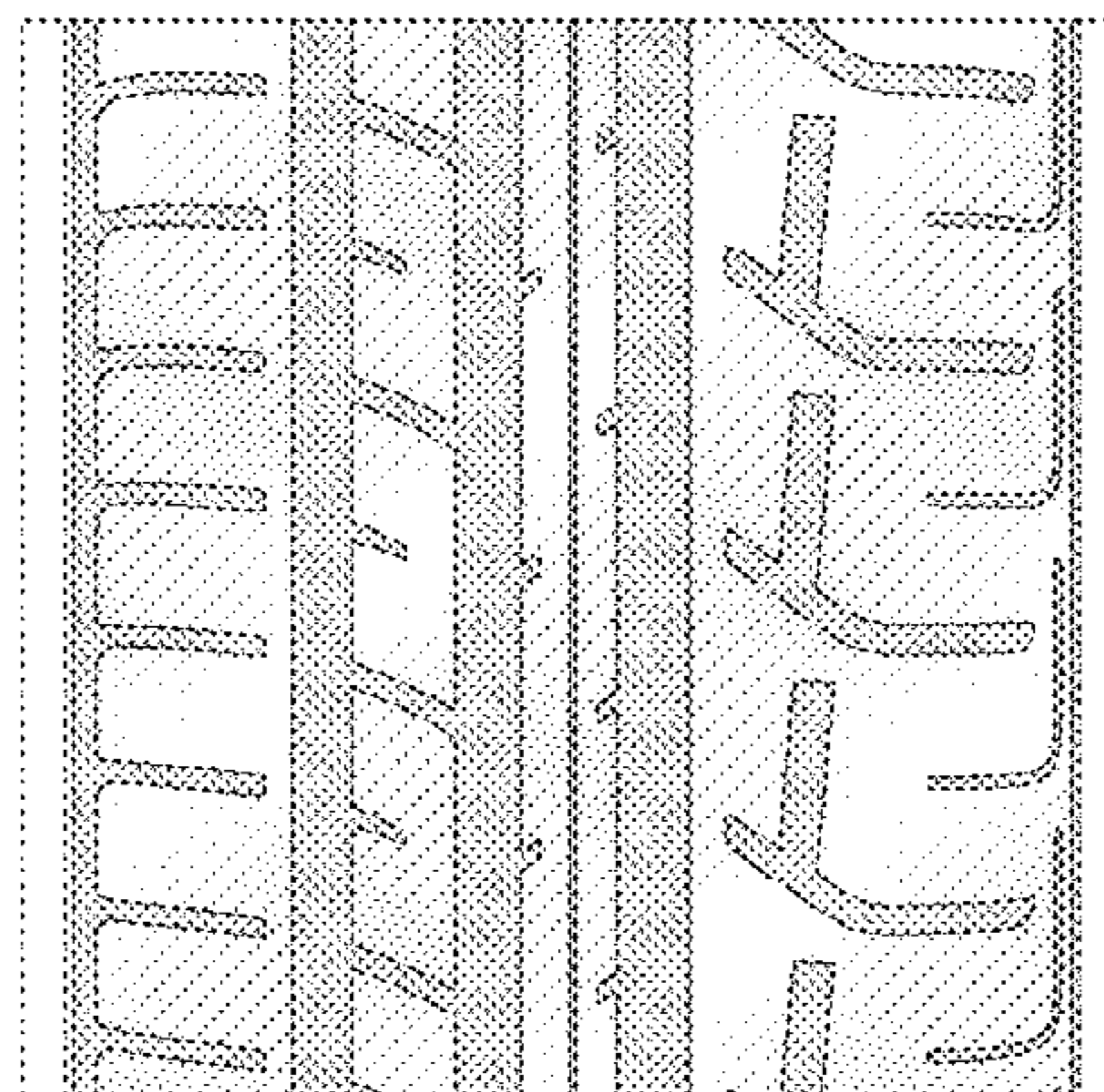
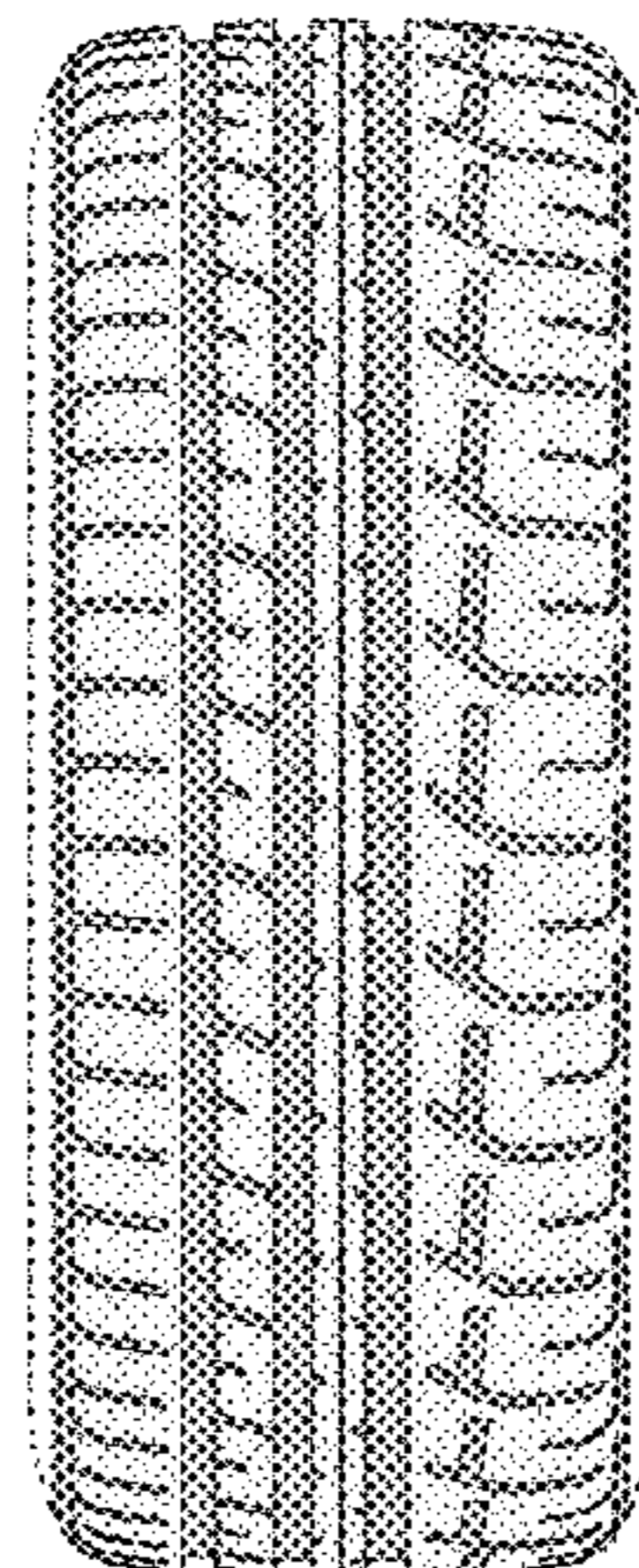
FIG. 1 is a perspective view of a tire showing our new design, it being understood that the pattern repeats uniformly throughout the circumference of the tread;
 FIG. 2 is a front elevational view thereof;
 FIG. 3 is a right side elevational view thereof;
 FIG. 4 is a left side elevational view thereof;
 FIG. 5 is an enlarged fragmentary front elevational view thereof;
 FIG. 6 is a perspective view of a second embodiment of a tire showing our new design, it being understood that the pattern repeats uniformly throughout the circumference of the tread; and,
 FIG. 7 is a front elevational view of a second embodiment, it being understood that an enlarged fragmentary view thereof would be substantially identical to that shown in FIG. 5, with the exception of the inclusion of the sidewall in solid lines.
 In the drawings, the broken lines showing of the sidewall, inner bead and the peripheral boundary between the tire tread and the sidewall in FIGS. 1 through 5 depict environmental subject matter and form no part of the claimed design.

1 Claim, 7 Drawing Sheets

(56) **References Cited**

U.S. PATENT DOCUMENTS

D332,073 S *	12/1992	Hasegawa	D12/518
D341,111 S	11/1993	Himuro et al.	D12/147
D369,763 S *	5/1996	Saeki et al.	D12/518
D423,422 S	4/2000	Selover et al.	D11/146
D447,097 S	8/2001	Graas et al.	D12/147
D451,440 S	12/2001	Weber	D12/146
D451,441 S	12/2001	Weber	D12/146
D453,729 S	2/2002	Demagall et al.	D12/523
D464,932 S	10/2002	Hanya	D12/550
D483,004 S	12/2003	Schomburg et al.	D12/518
D491,517 S	6/2004	Matsumoto et al.	D12/554
D491,518 S	6/2004	Miyabe et al.	D12/556
D513,603 S	1/2006	Shondel	D12/524
D551,156 S *	9/2007	Shinohara et al.	D12/521
D558,125 S	12/2007	Miyabe et al.	D12/518
D558,126 S	12/2007	Shavers et al.	D12/519
D558,127 S	12/2007	Shavers et al.	D12/519
D559,168 S	1/2008	Murata et al.	D12/523



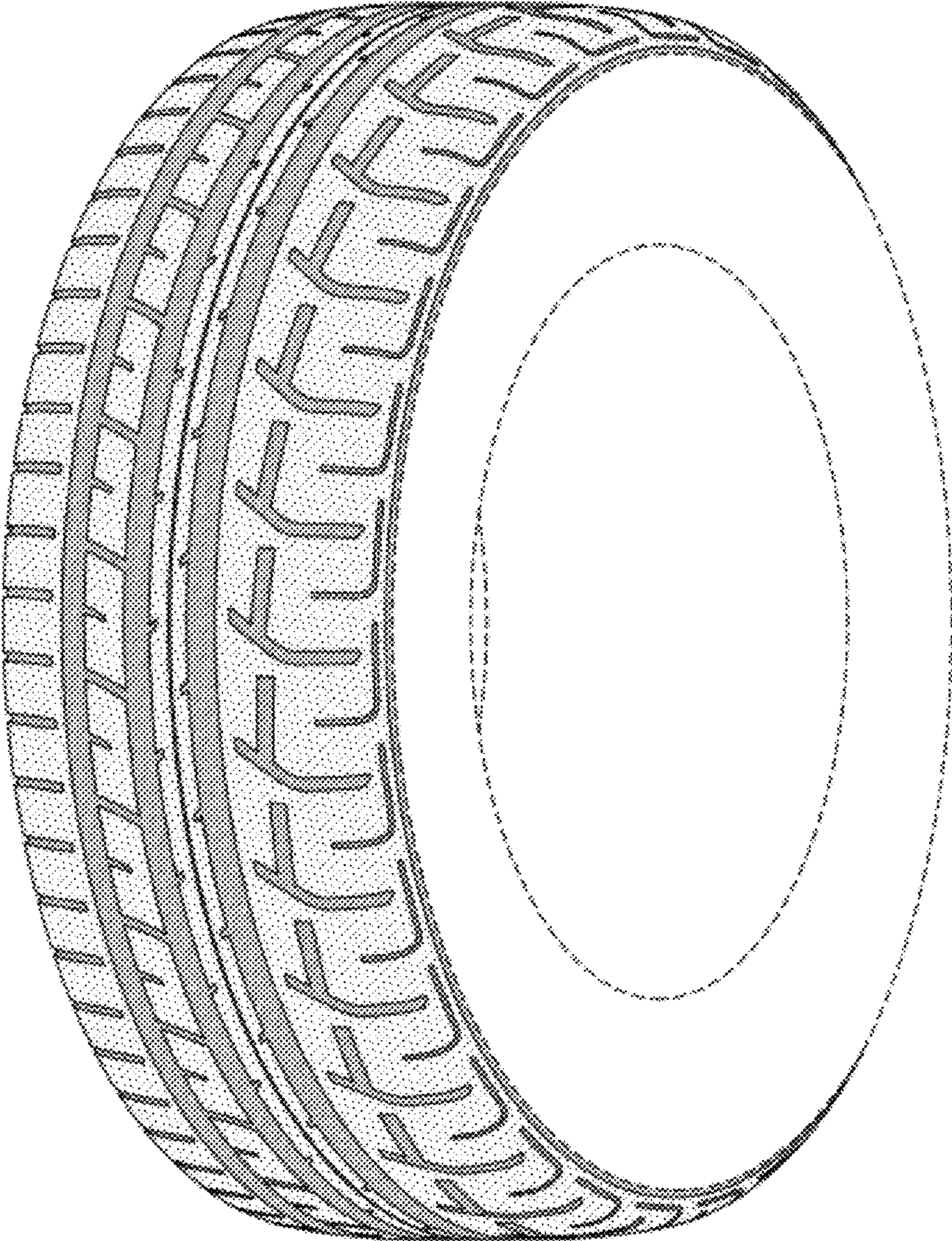


FIG-1

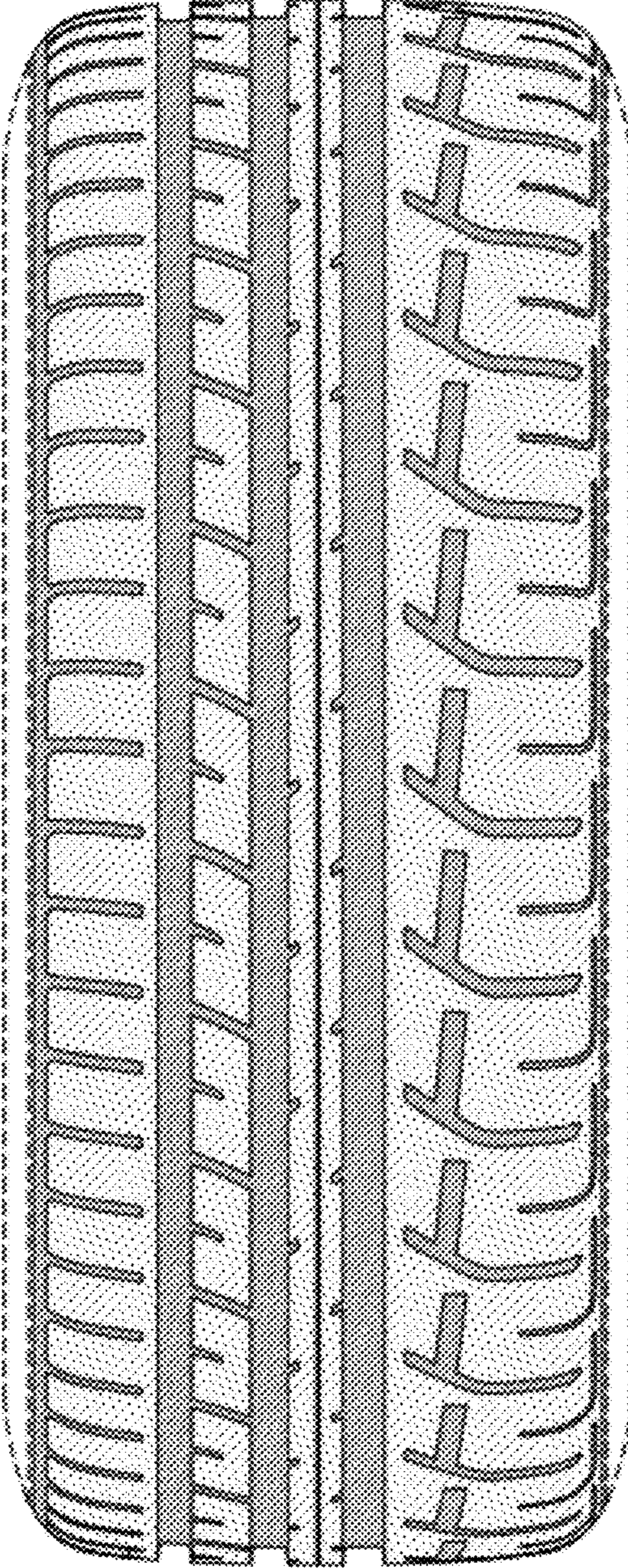


FIG-2

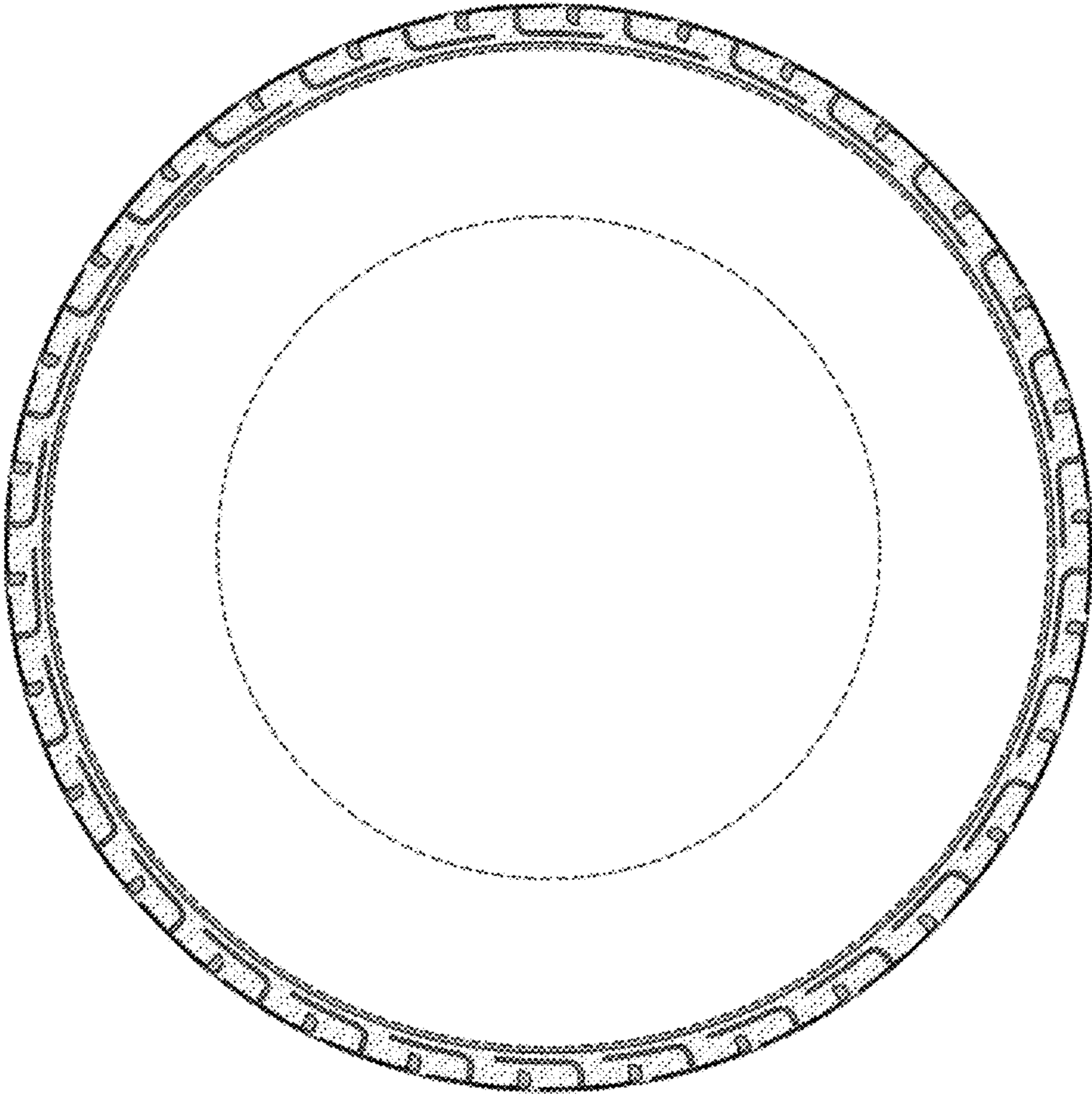


FIG-3

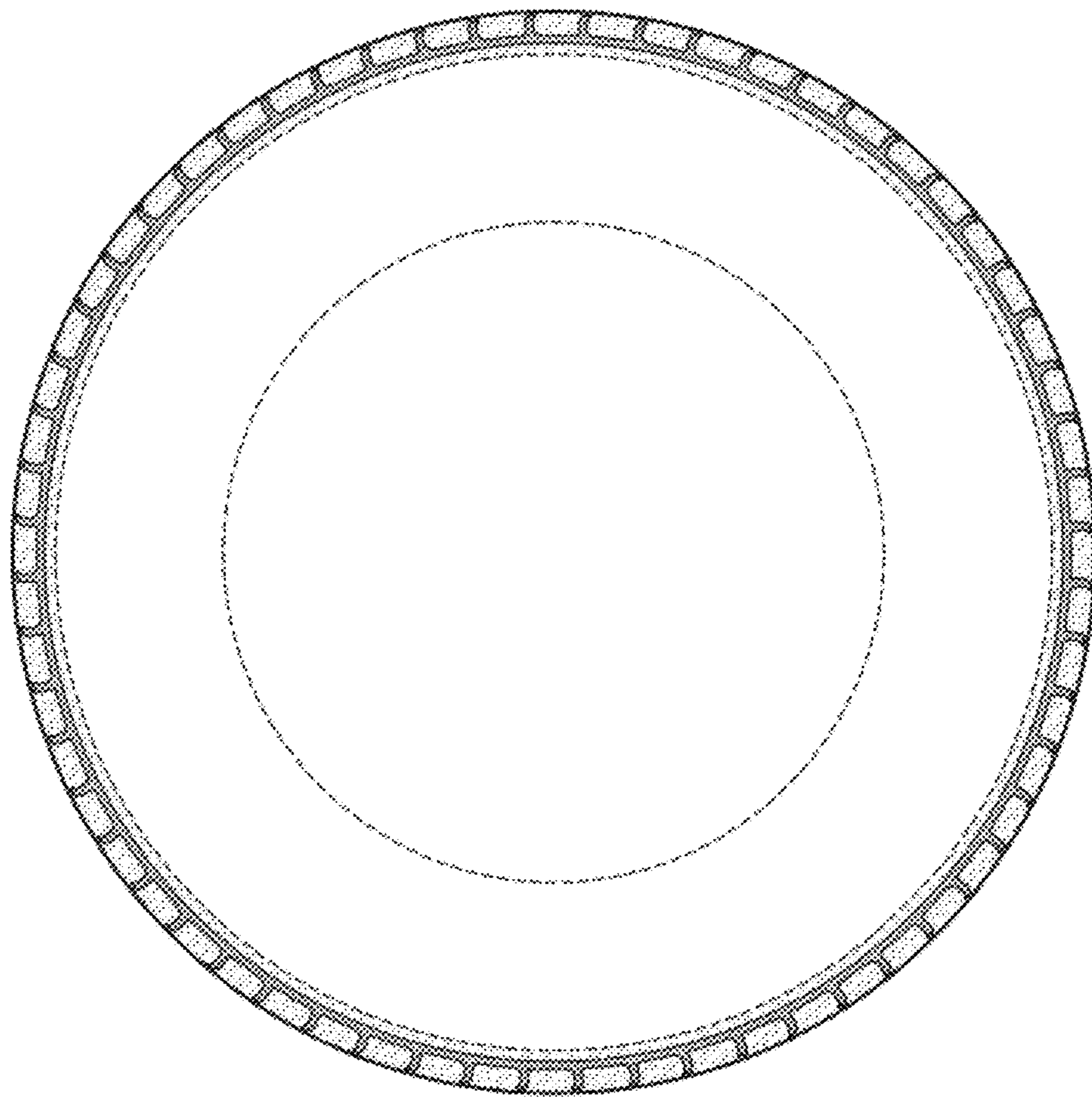


FIG-4

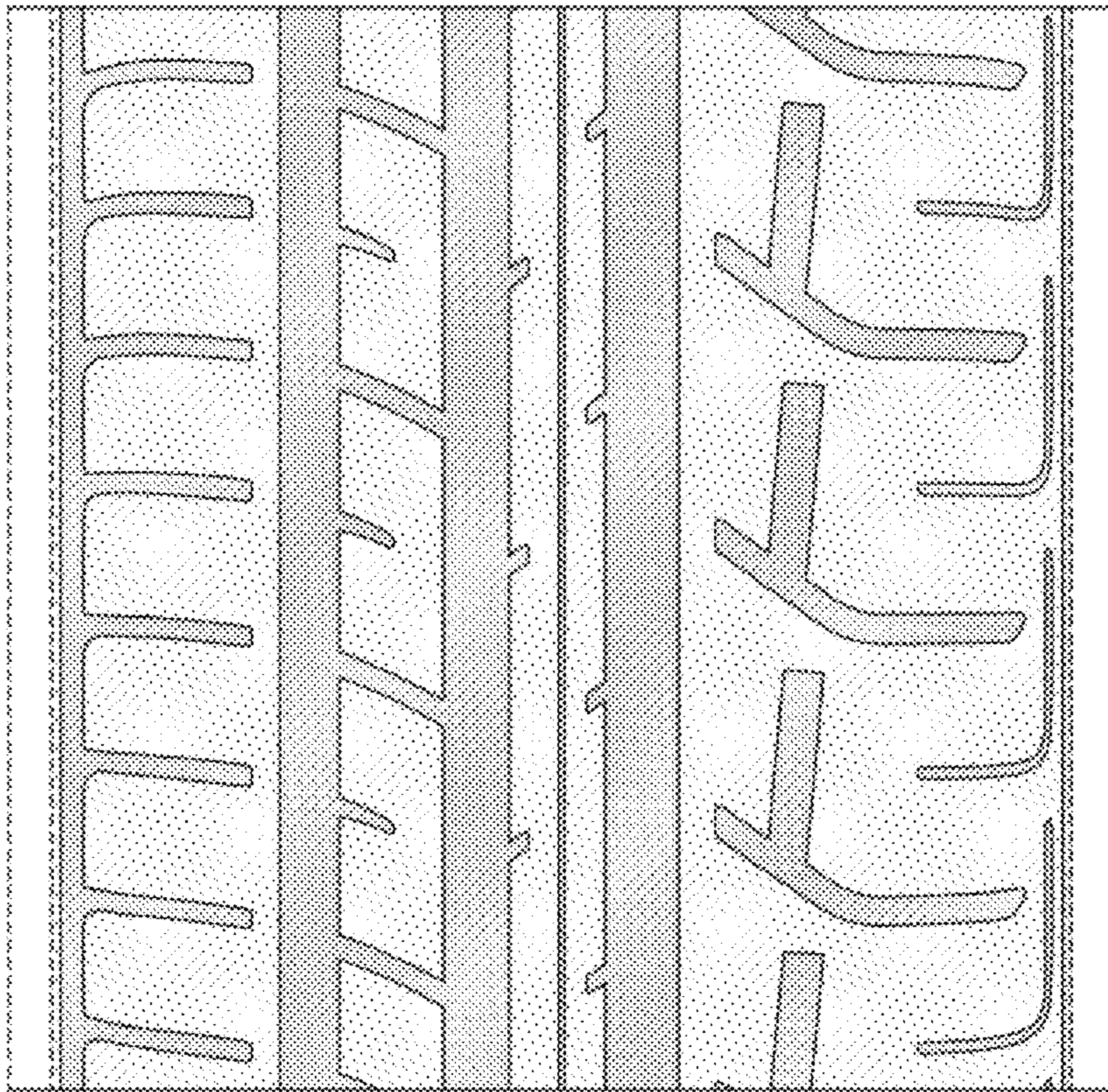


FIG-5

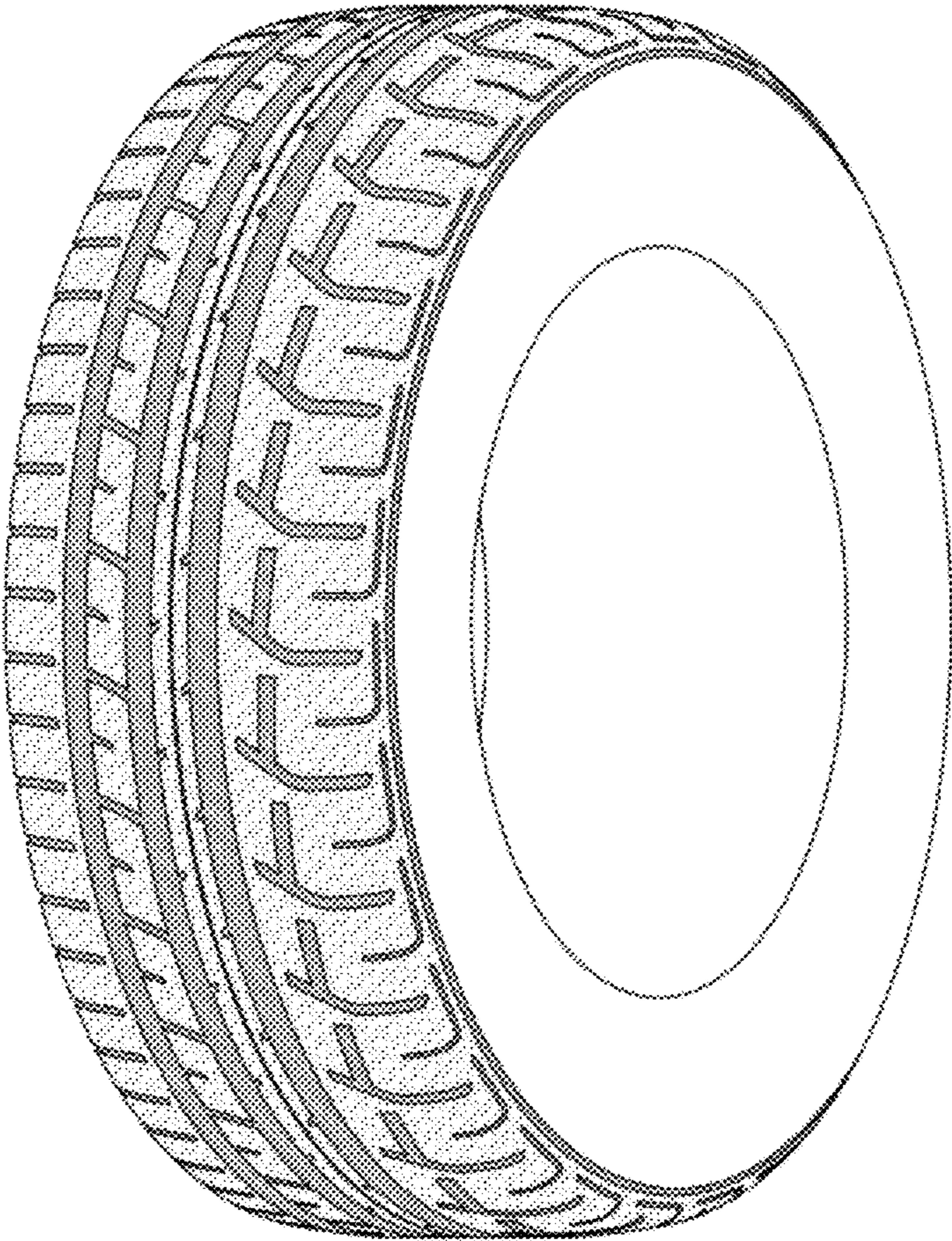


FIG-6

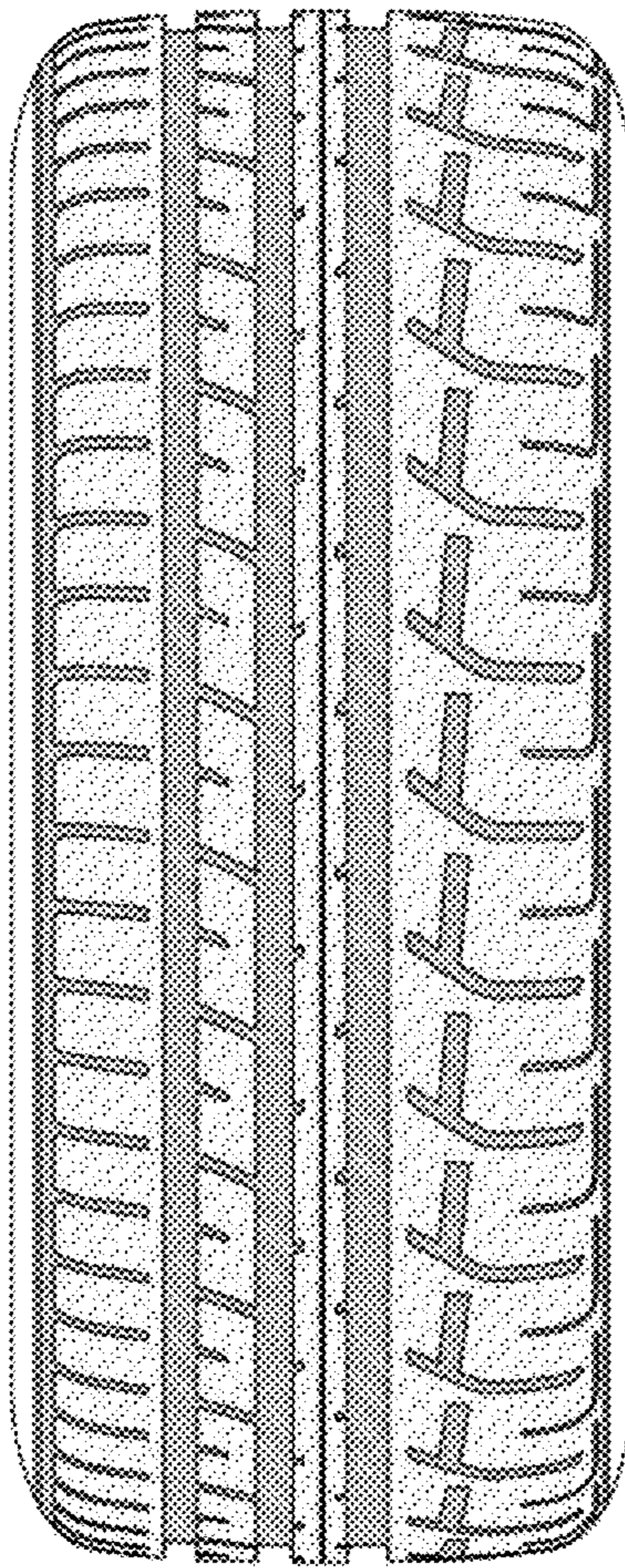


FIG-7