



US00D673892S

(12) **United States Design Patent**
Stephan et al.

(10) **Patent No.:** **US D673,892 S**
(45) **Date of Patent:** **** Jan. 8, 2013**

(54) **PANEL**

(75) Inventors: **Walter Stephan**, St. Martin i.I. (AT);
Gerhard Möttenhuber, Michaelnbach (AT)

(73) Assignee: **FACC AG**, Ried im Innkreis (AT)

(**) Term: **14 Years**

(21) Appl. No.: **29/371,730**

(22) Filed: **Aug. 2, 2011**

(30) **Foreign Application Priority Data**

Feb. 2, 2011 (EM) 1815168-0001

(51) **LOC (9) Cl.** **12-07**

(52) **U.S. Cl.** **D12/345**

(58) **Field of Classification Search** D12/345,
D12/418, 195; 244/118.2, 119, 120; 454/76,
454/71; D23/370

See application file for complete search history.

(56) **References Cited**

U.S. PATENT DOCUMENTS

5,707,028 A * 1/1998 Roper 244/118.5
D455,390 S * 4/2002 Granzeier et al. D12/345

D583,749 S * 12/2008 Aruga et al. D12/418
D600,623 S * 9/2009 Fiedler et al. D12/345
D613,234 S * 4/2010 Tirey et al. D12/418
D613,669 S * 4/2010 Collins et al. D12/345
D628,529 S * 12/2010 Fiedler et al. D12/345

* cited by examiner

Primary Examiner — Doris Clark

(74) *Attorney, Agent, or Firm* — Jacobson Holman PLLC

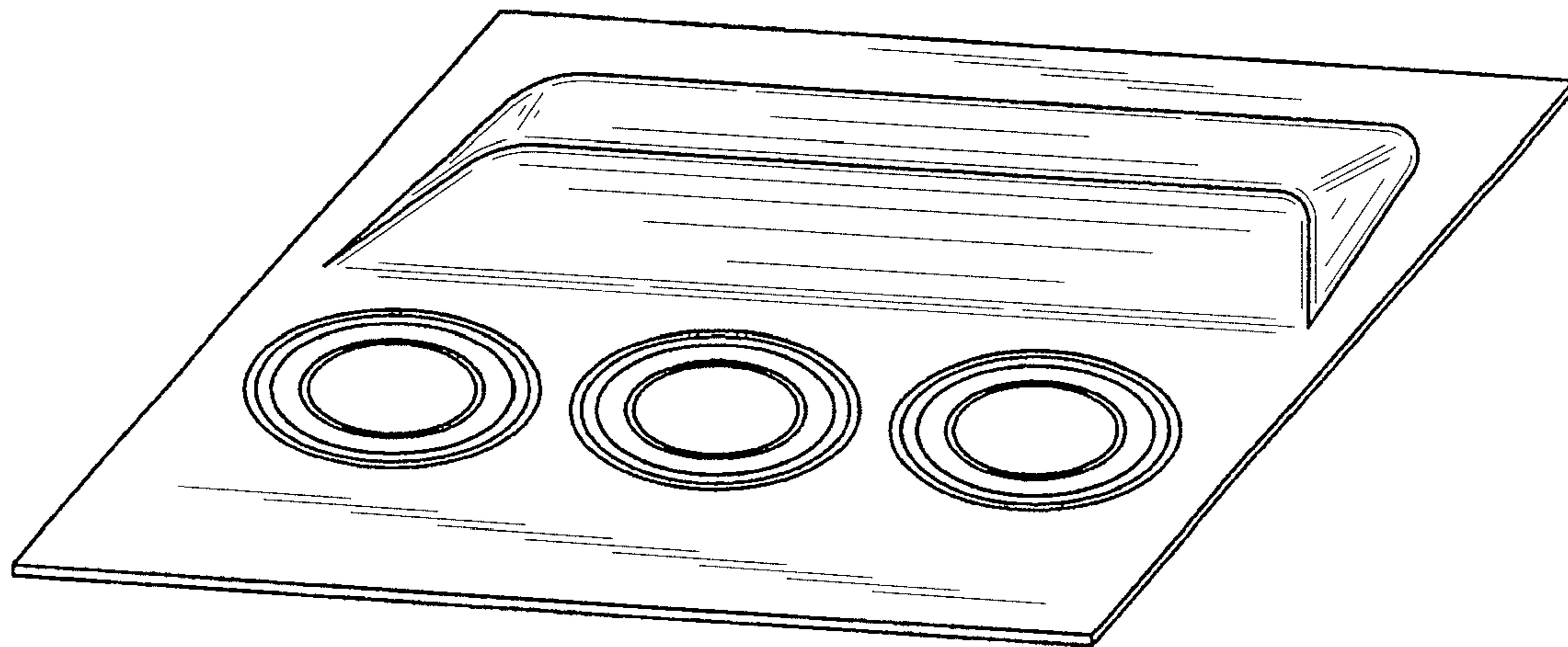
(57) **CLAIM**

The ornamental design for panel, as shown and described.

DESCRIPTION

FIG. 1 is a perspective view showing our new design for panel,
FIG. 2 is a top view thereof,
FIG. 3 is a bottom view thereof,
FIG. 4 is a front view thereof,
FIG. 5 is a rear view thereof,
FIG. 6 is a right side view thereof; and,
FIG. 7 is a left side view thereof.

1 Claim, 3 Drawing Sheets



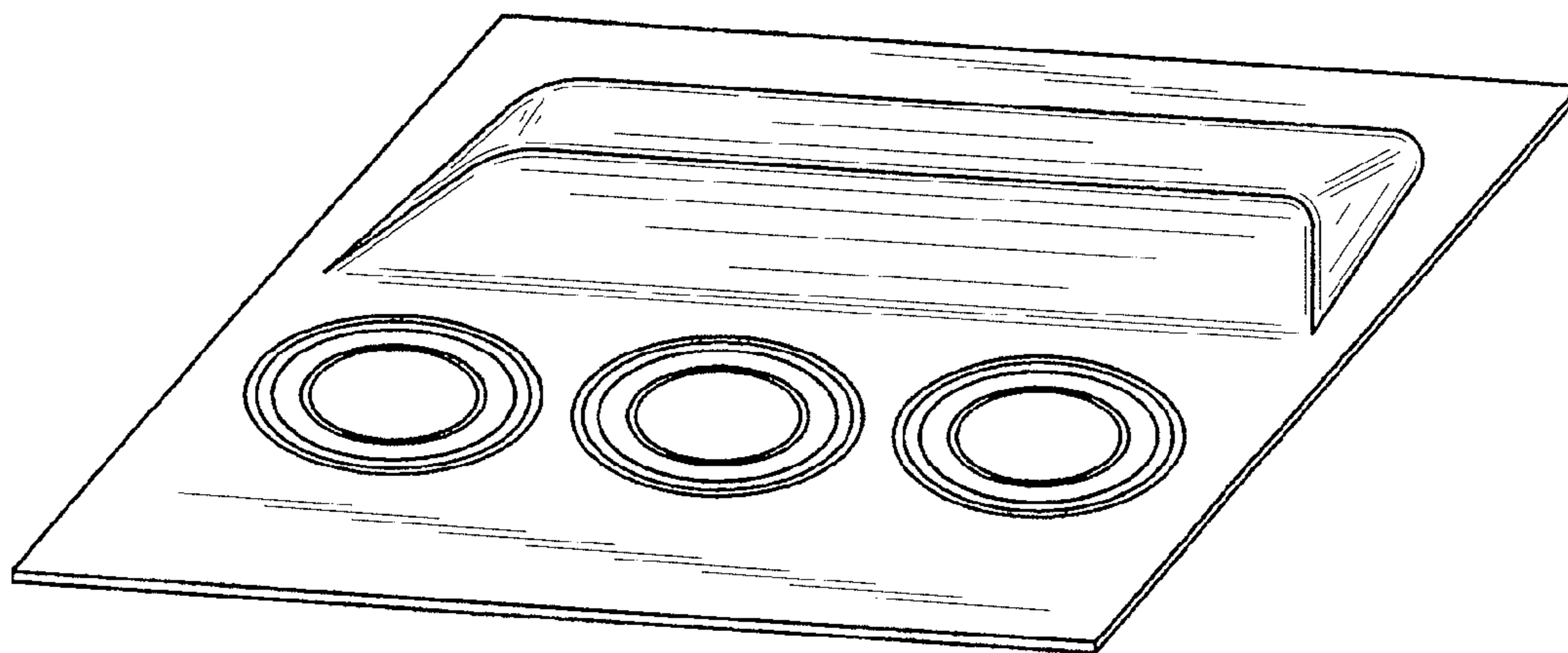


FIG. 1

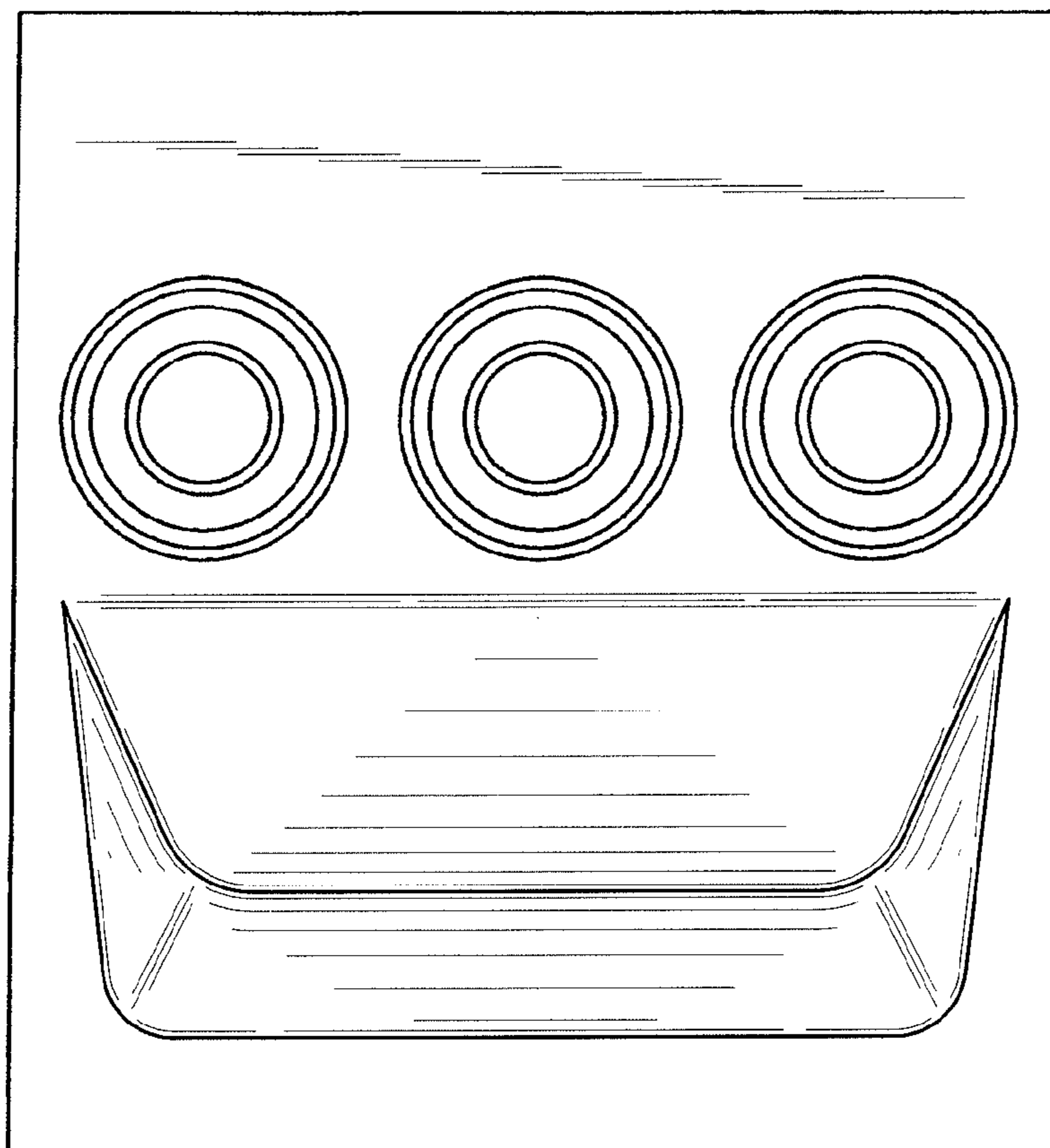


FIG. 2

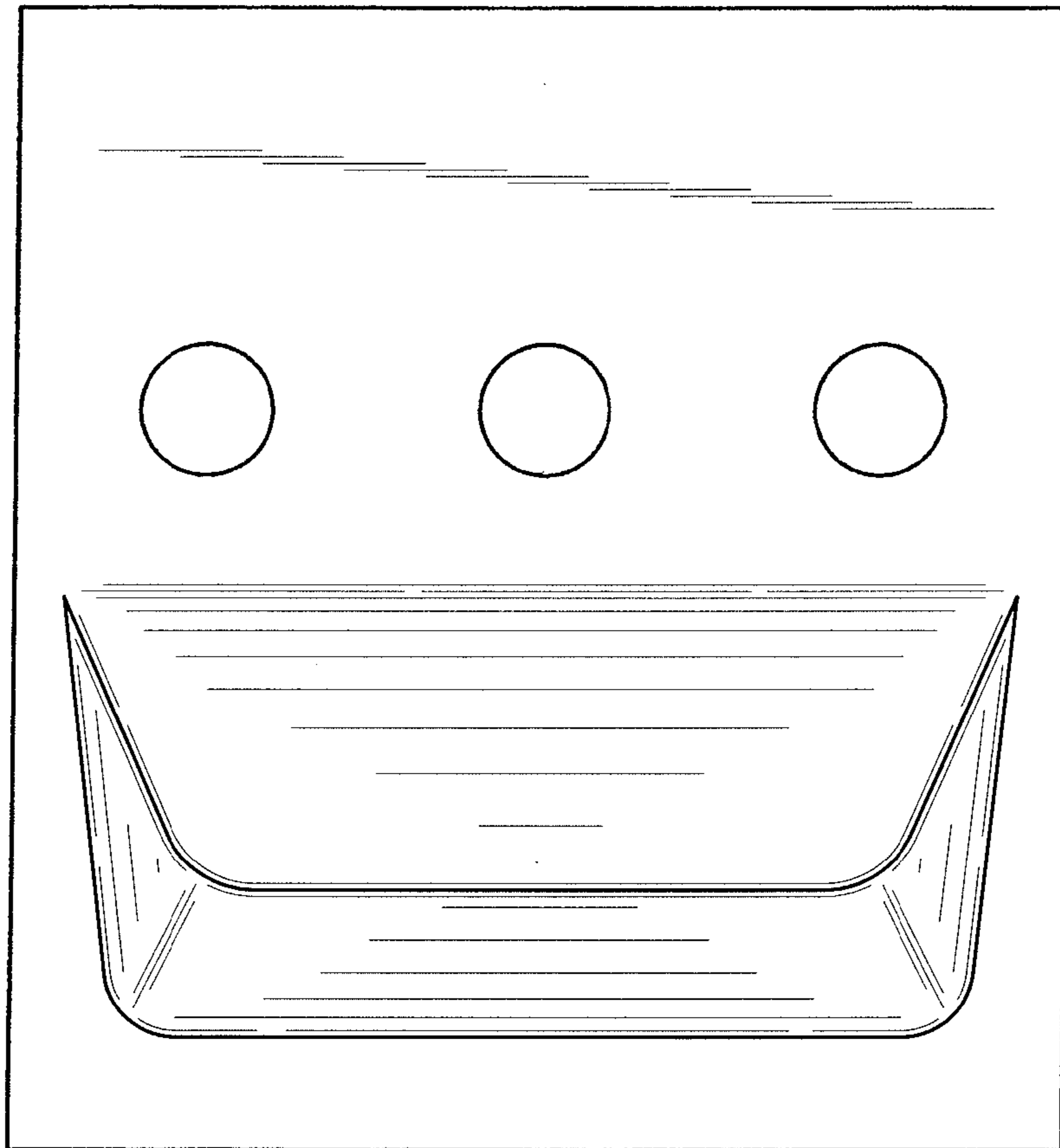


FIG. 3

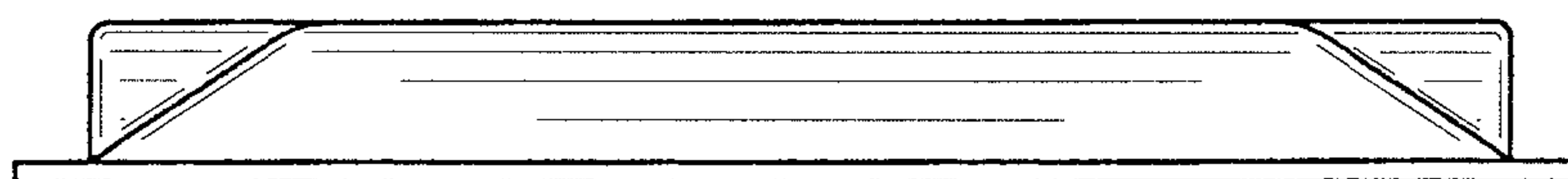


FIG. 4

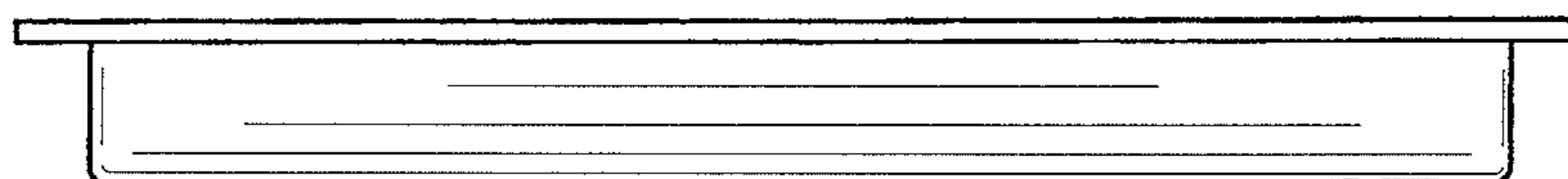


FIG. 5

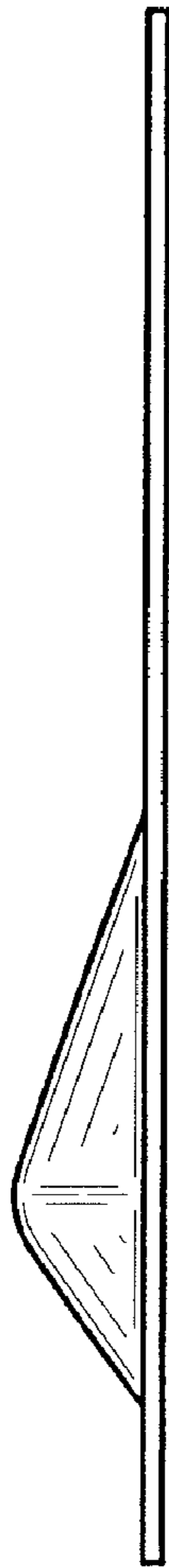


FIG. 6



FIG. 7