



US00D673887S

(12) **United States Design Patent**
Leonard

(10) **Patent No.:** **US D673,887 S**
(45) **Date of Patent:** **** Jan. 8, 2013**

(54) **GAS SPRING END MEMBER**
(75) Inventor: **Joshua R. Leonard**, Noblesville, IN (US)
(73) Assignee: **Firestone Industrial Products Company, LLC**, Indianapolis, IN (US)
(**) Term: **14 Years**
(21) Appl. No.: **29/398,999**
(22) Filed: **Aug. 8, 2011**
(51) **LOC (9) Cl.** **12-16**
(52) **U.S. Cl.** **D12/159**
(58) **Field of Classification Search** D12/159;
280/124.155, 124.147, 124.145, 124.146,
280/86.752, 11.225; 188/281, 298, 297,
188/315, 316, 274, 286; 267/195, 136, 64.15,
267/217; 464/173; 293/134
See application file for complete search history.

6,746,004 B2 * 6/2004 Leonard et al. 267/64.27
7,621,538 B2 * 11/2009 Nordmeyer et al. 280/5.515
7,871,081 B1 * 1/2011 Lin 280/5.504
7,959,170 B2 * 6/2011 Mauz 280/124.135
2005/0093265 A1 * 5/2005 Niaura et al. 280/124.16

* cited by examiner

Primary Examiner — Michael A Pratt

(74) *Attorney, Agent, or Firm* — Jason A. Houser; Fay Sharpe LLP

(57) **CLAIM**

The ornamental design for a gas spring end member, as shown and described.

DESCRIPTION

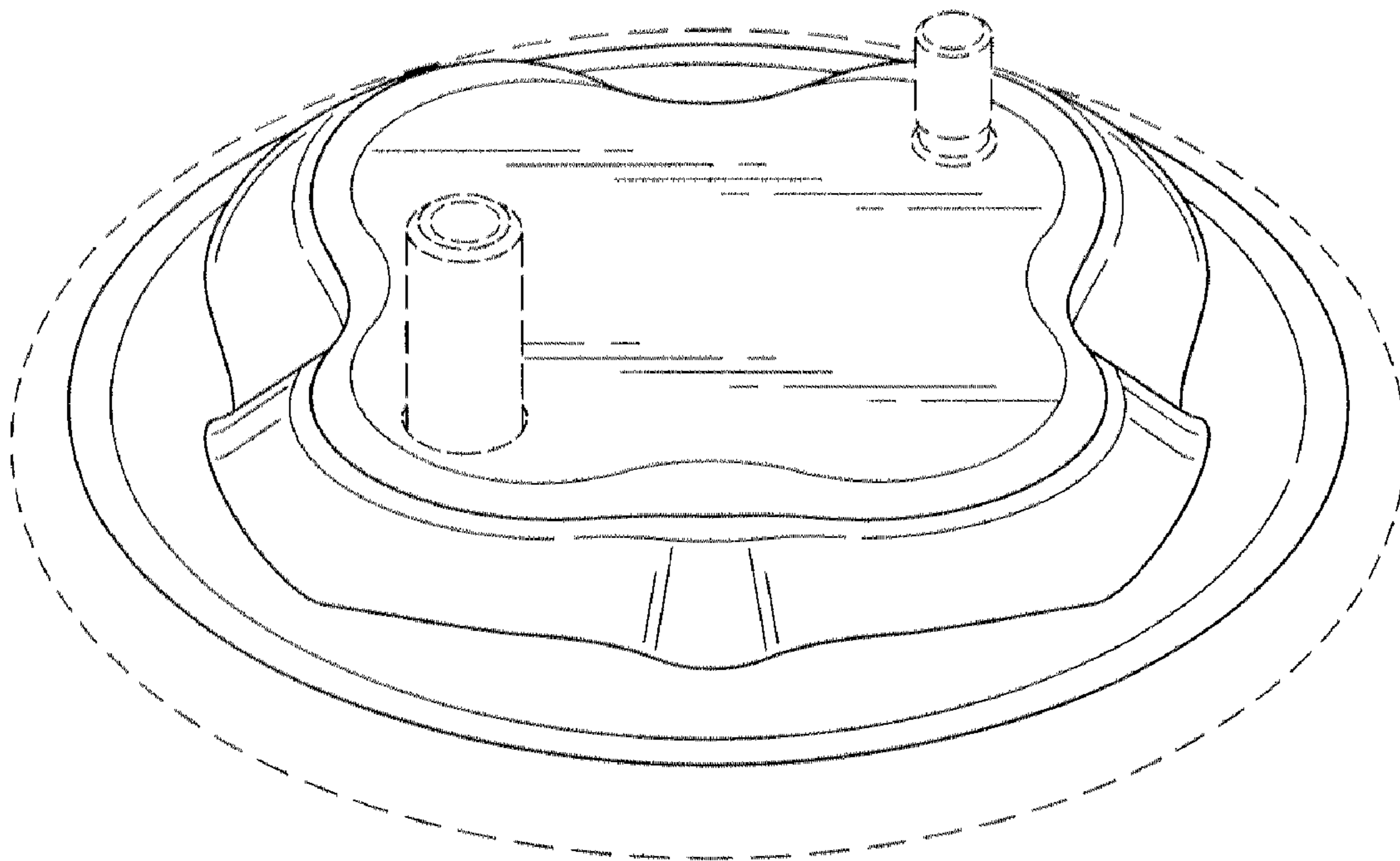
FIG. 1 is a perspective view of one embodiment of a gas spring end member according to my new design; FIG. 2 is a top plan view thereof; FIG. 3 is a bottom plan view thereof; FIG. 4 is a front side view thereof; FIG. 5 is a rear side view thereof; FIG. 6 is a left side view thereof; FIG. 7 is a right side view thereof; and, FIG. 8 is a perspective view of the gas spring end member as a part of a gas spring assembly. The broken lines are for illustrative purposes only and form no part of the claimed design.

1 Claim, 6 Drawing Sheets

(56) **References Cited**

U.S. PATENT DOCUMENTS

4,634,142 A * 1/1987 Woods et al. 280/5.503
4,718,650 A * 1/1988 Geno 267/64.27
5,765,860 A * 6/1998 Osborn et al. 280/728.2
6,036,179 A * 3/2000 Rensel 267/64.11
6,375,168 B2 * 4/2002 Behrends 267/64.19
6,698,730 B2 * 3/2004 Easter 267/64.28



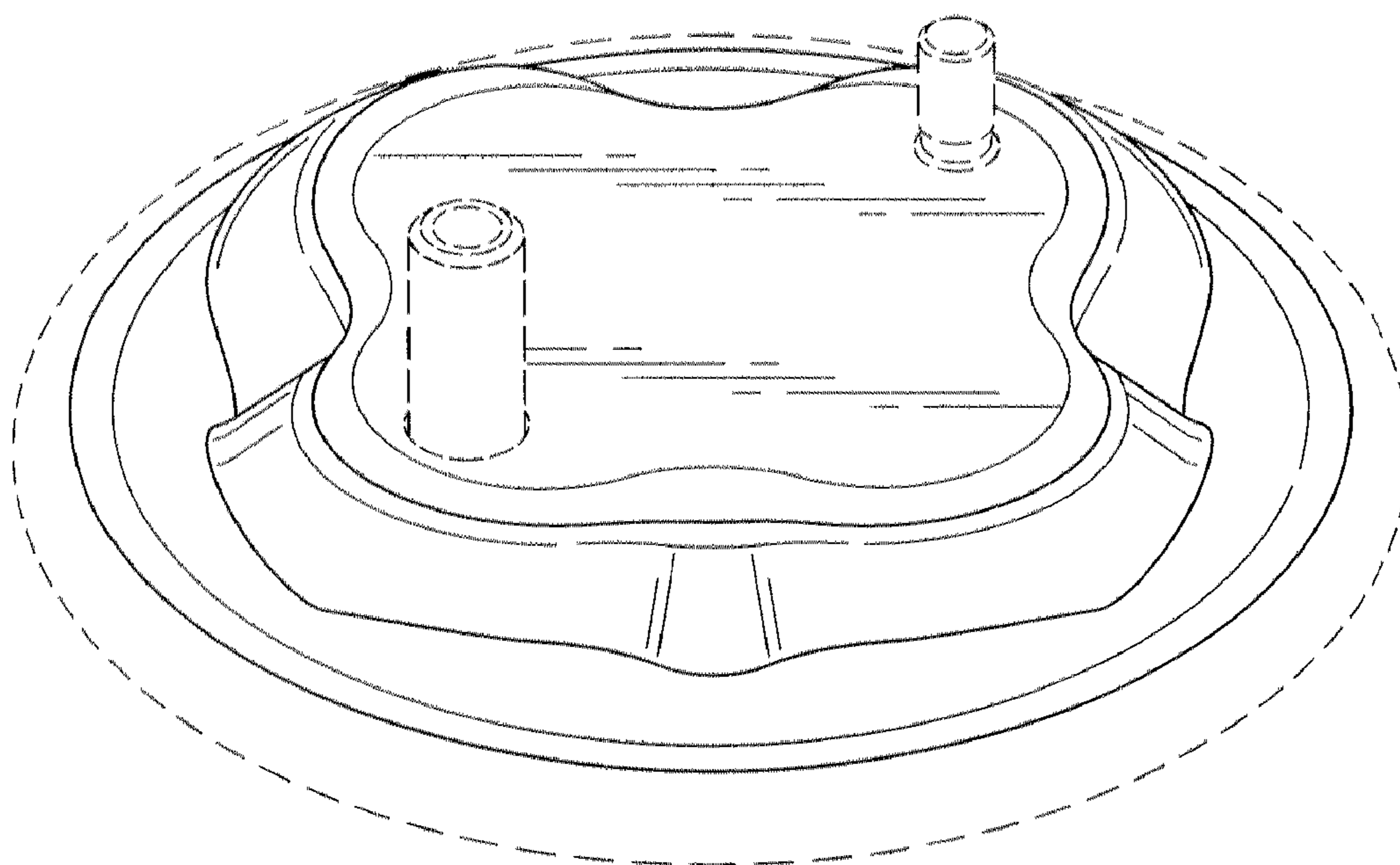


FIG. 1

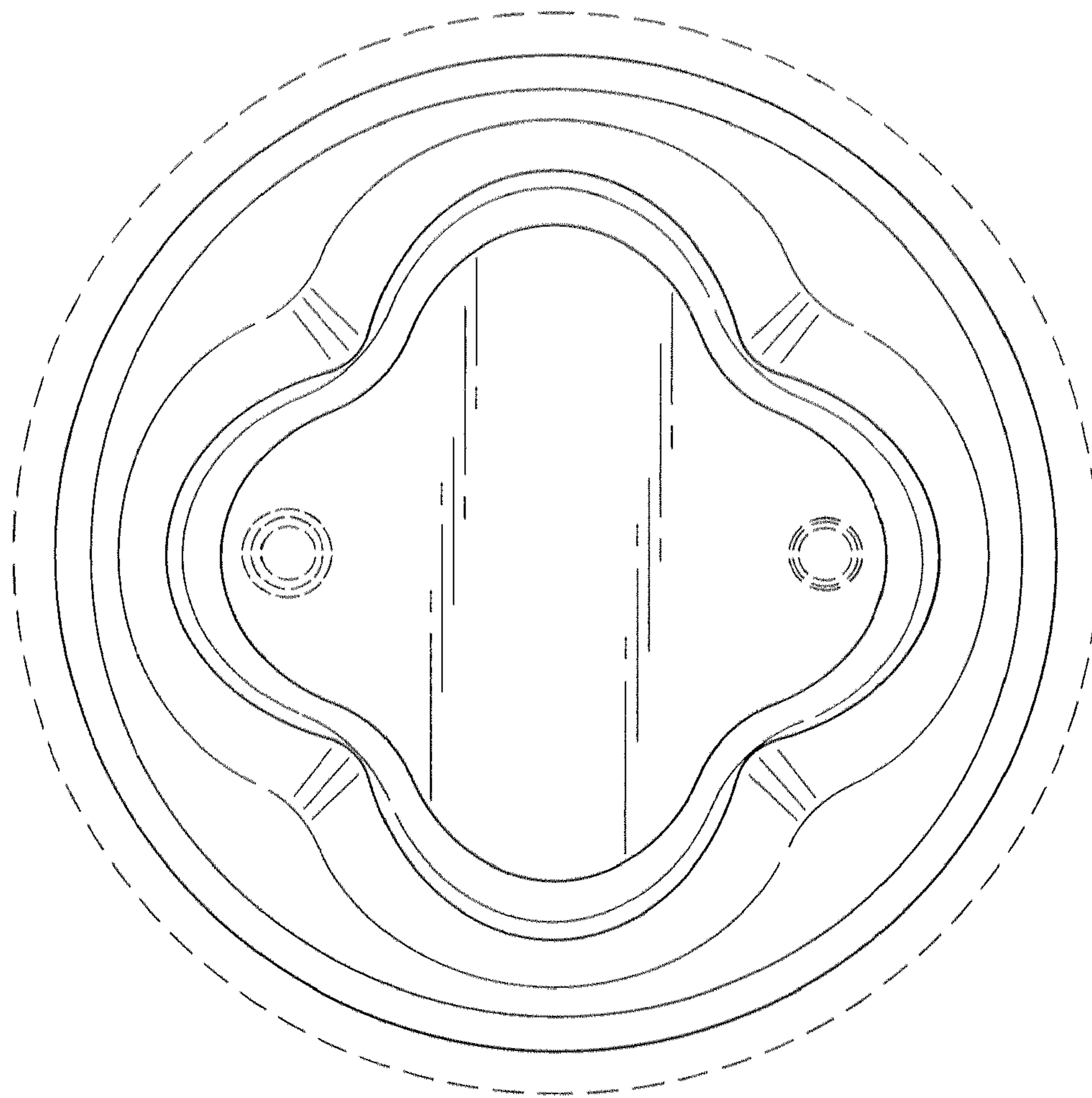


FIG. 2

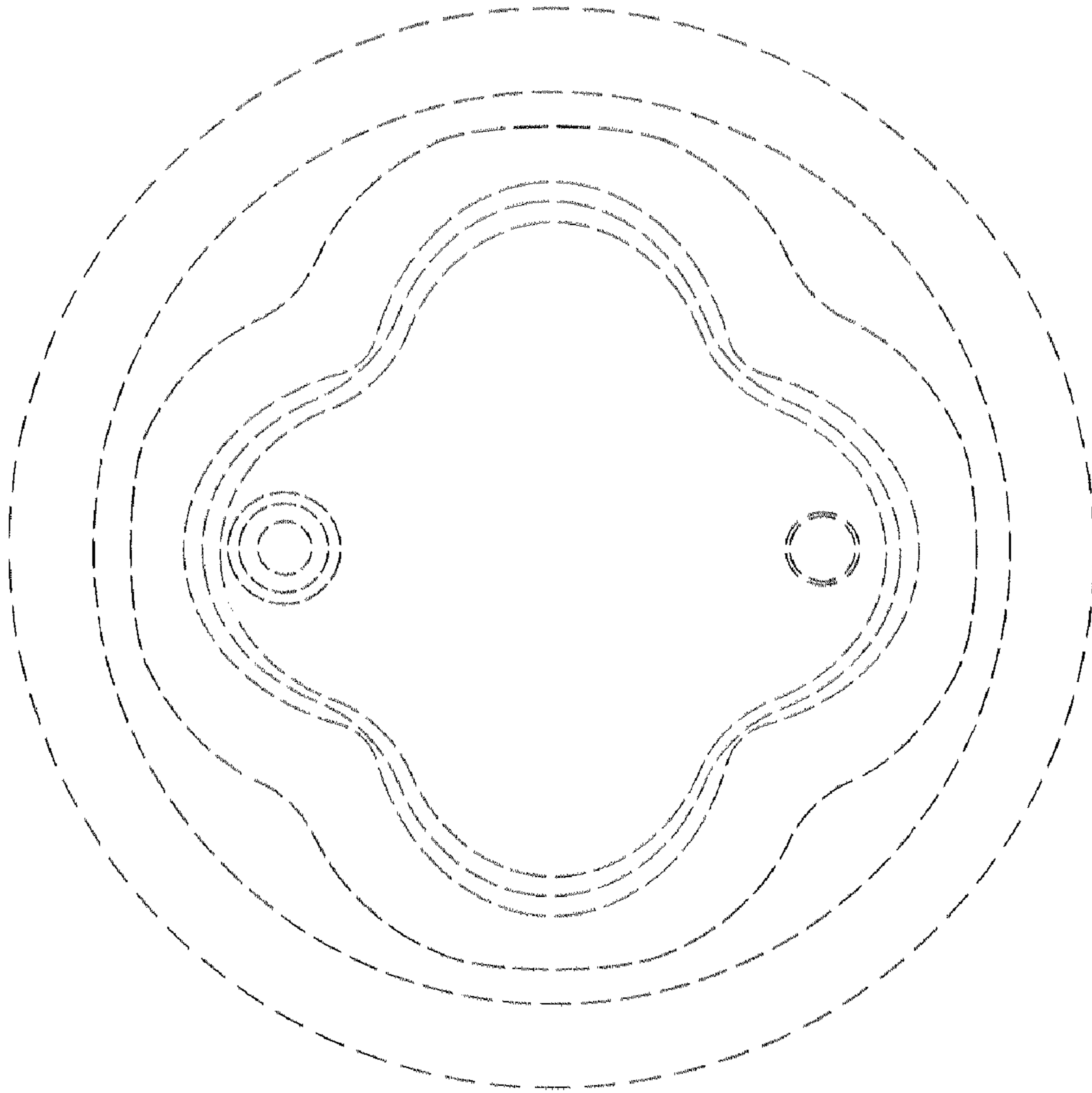


FIG. 3

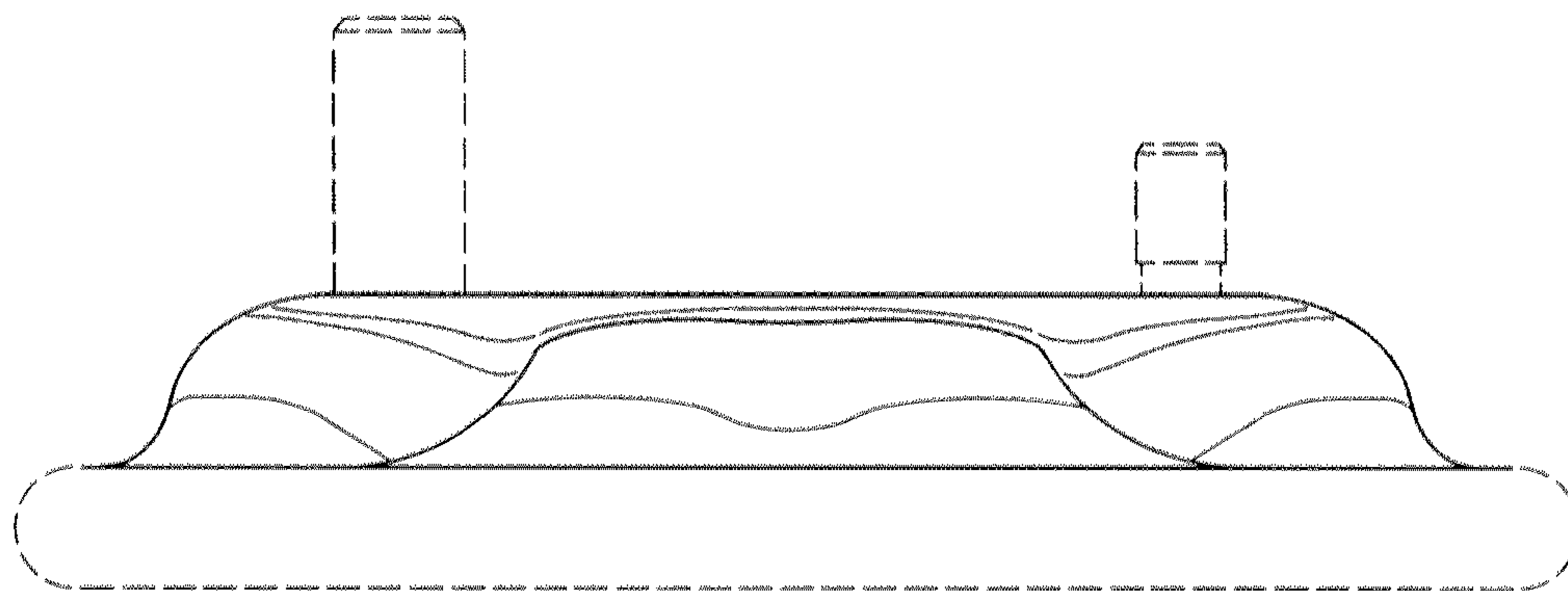


FIG. 4

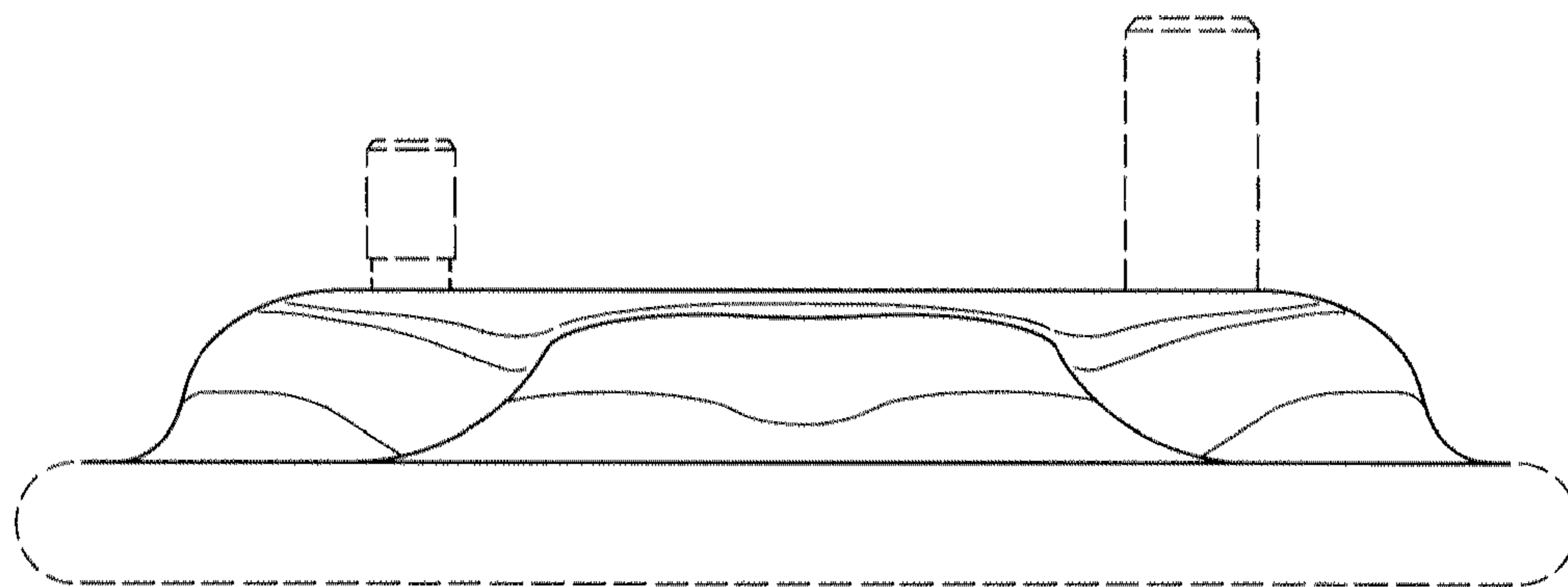


FIG. 5

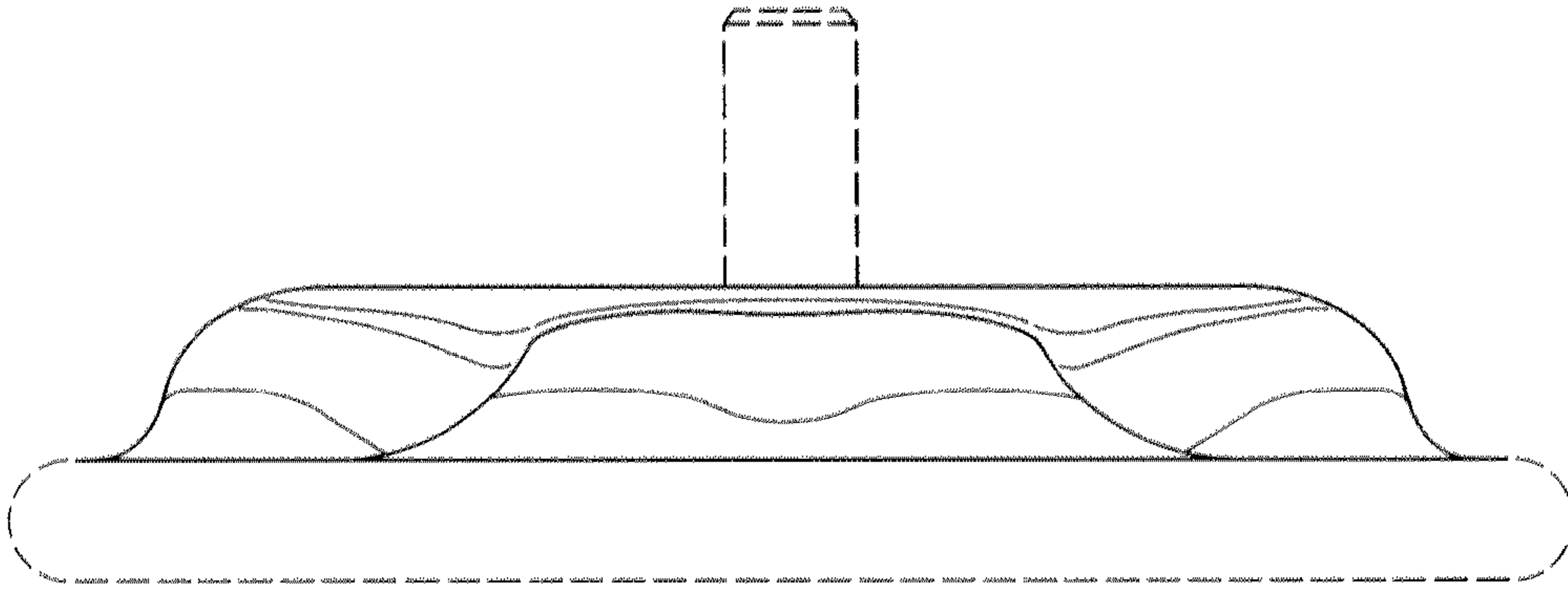


FIG. 6

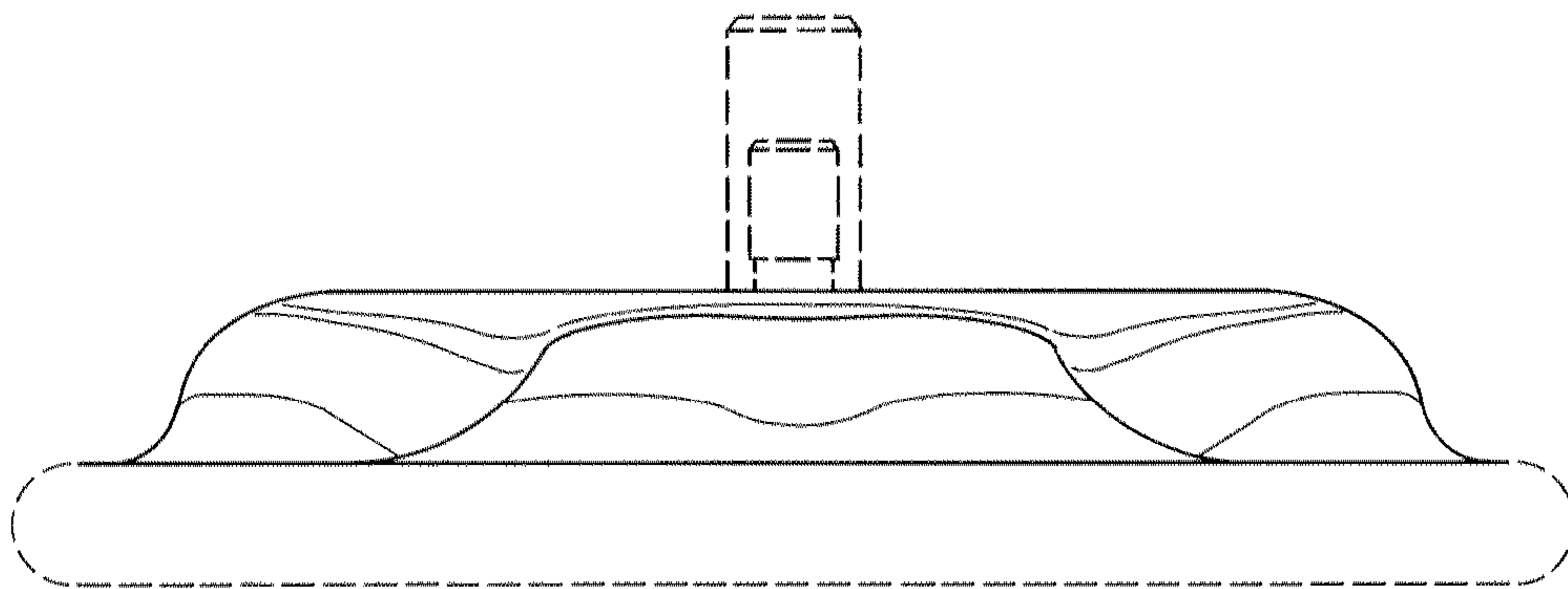


FIG. 7

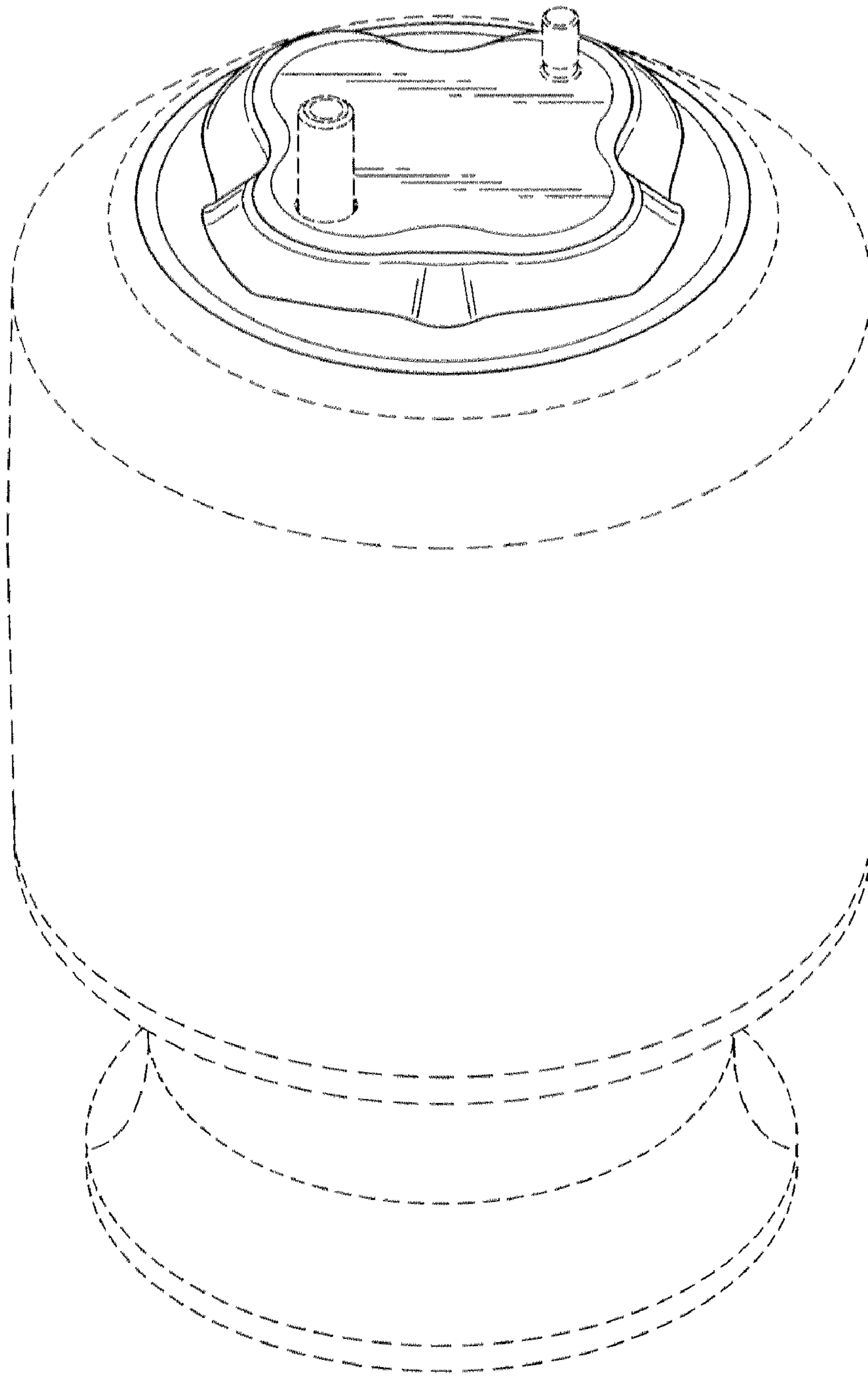


FIG. 8