



US00D673883S

(12) **United States Design Patent**  
**Hillairet et al.**

(10) **Patent No.:** **US D673,883 S**  
(45) **Date of Patent:** **\*\* Jan. 8, 2013**

(54) **MOUNTAIN BICYCLE FRAME**  
(75) Inventors: **Jean-Marc Hillairet**, Varennes Vauzelles (FR); **Pierre-Yves Facomprez**, Nevers (FR)

(73) Assignee: **Look Cycle International**, Nevers (FR)

(\*\*) Term: **14 Years**

(21) Appl. No.: **29/401,138**

(22) Filed: **Sep. 7, 2011**

(30) **Foreign Application Priority Data**

Mar. 8, 2011 (EM) ..... 001832056-0001

(51) **LOC (9) Cl.** ..... **12-11**

(52) **U.S. Cl.** ..... **D12/111**

(58) **Field of Classification Search** ..... D12/111,  
D12/110, 112-114, 117, 118; 280/274-280,  
280/281.1, 288.1-288.4, 284-288  
See application file for complete search history.

(56) **References Cited**

**U.S. PATENT DOCUMENTS**

D372,002 S \* 7/1996 Busby et al. .... D12/111  
6,036,213 A \* 3/2000 Busby ..... 280/284

D486,424 S \* 2/2004 Sagan ..... D12/111  
D523,380 S \* 6/2006 Auger et al. .... D12/111  
D588,505 S \* 3/2009 Couturet ..... D12/111

\* cited by examiner

*Primary Examiner* — Susan M Lee

*Assistant Examiner* — Linda G. Brooks

(74) *Attorney, Agent, or Firm* — Young & Thompson

(57) **CLAIM**

The ornamental design for a mountain bicycle frame, as shown.

**DESCRIPTION**

FIG. 1 is a front elevational view of a mountain bicycle frame showing my new design;

FIG. 2 is a top plan view thereof;

FIG. 3 is a side elevational view thereof from the left of FIG. 2;

FIG. 4 is a side elevational view thereof from the right of FIG. 2;

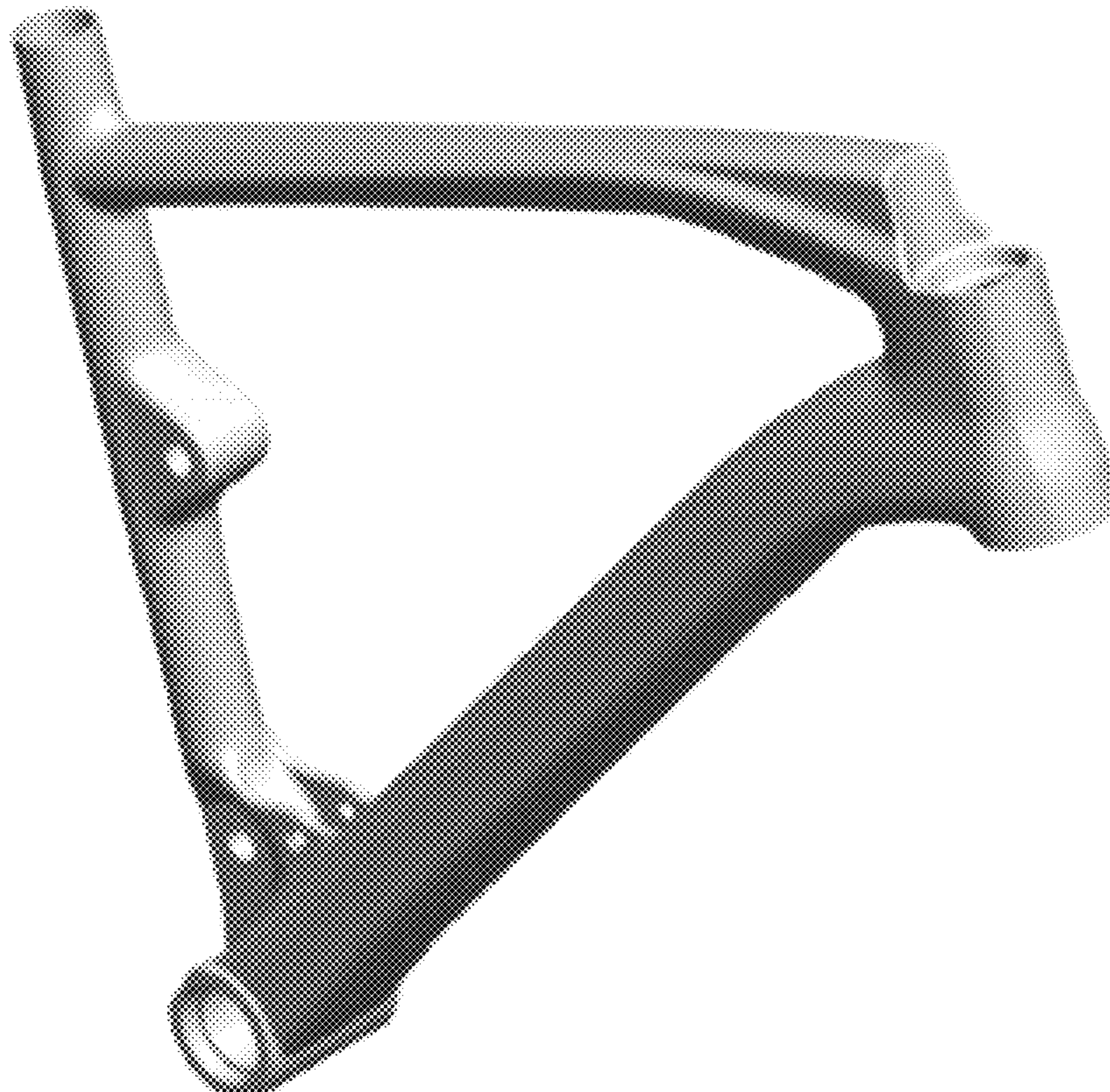
FIG. 5 is a rear elevational view thereof;

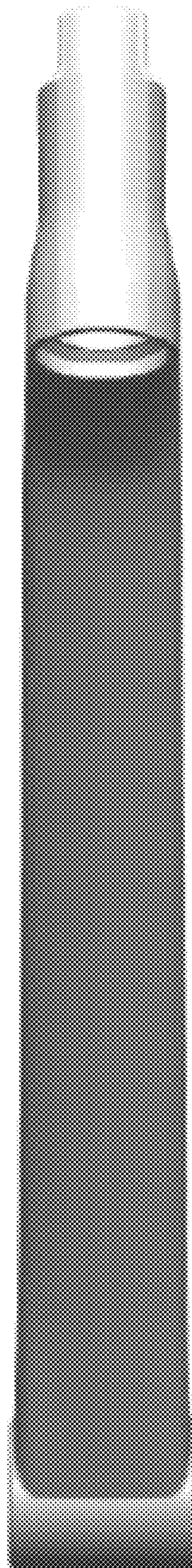
FIG. 6 is a top, front, and side perspective view thereof from the left of FIG. 2;

FIG. 7 is a top, rear, and side perspective view thereof from the left of FIG. 2; and,

FIG. 8 is a bottom plan view thereof.

**1 Claim, 8 Drawing Sheets**

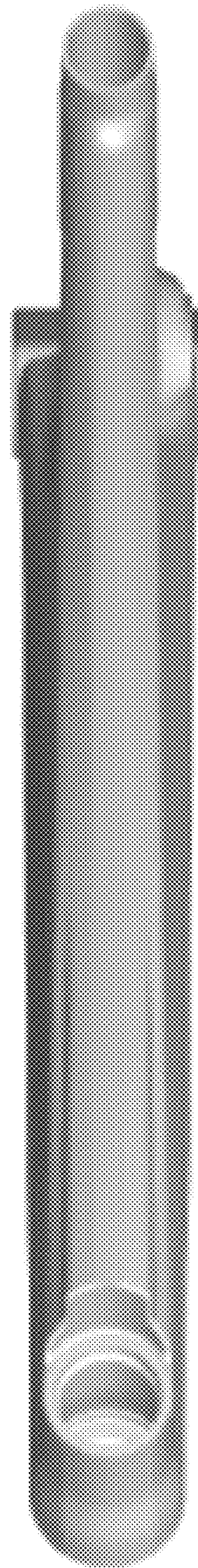




*FIG. 1*



*FIG. 2*



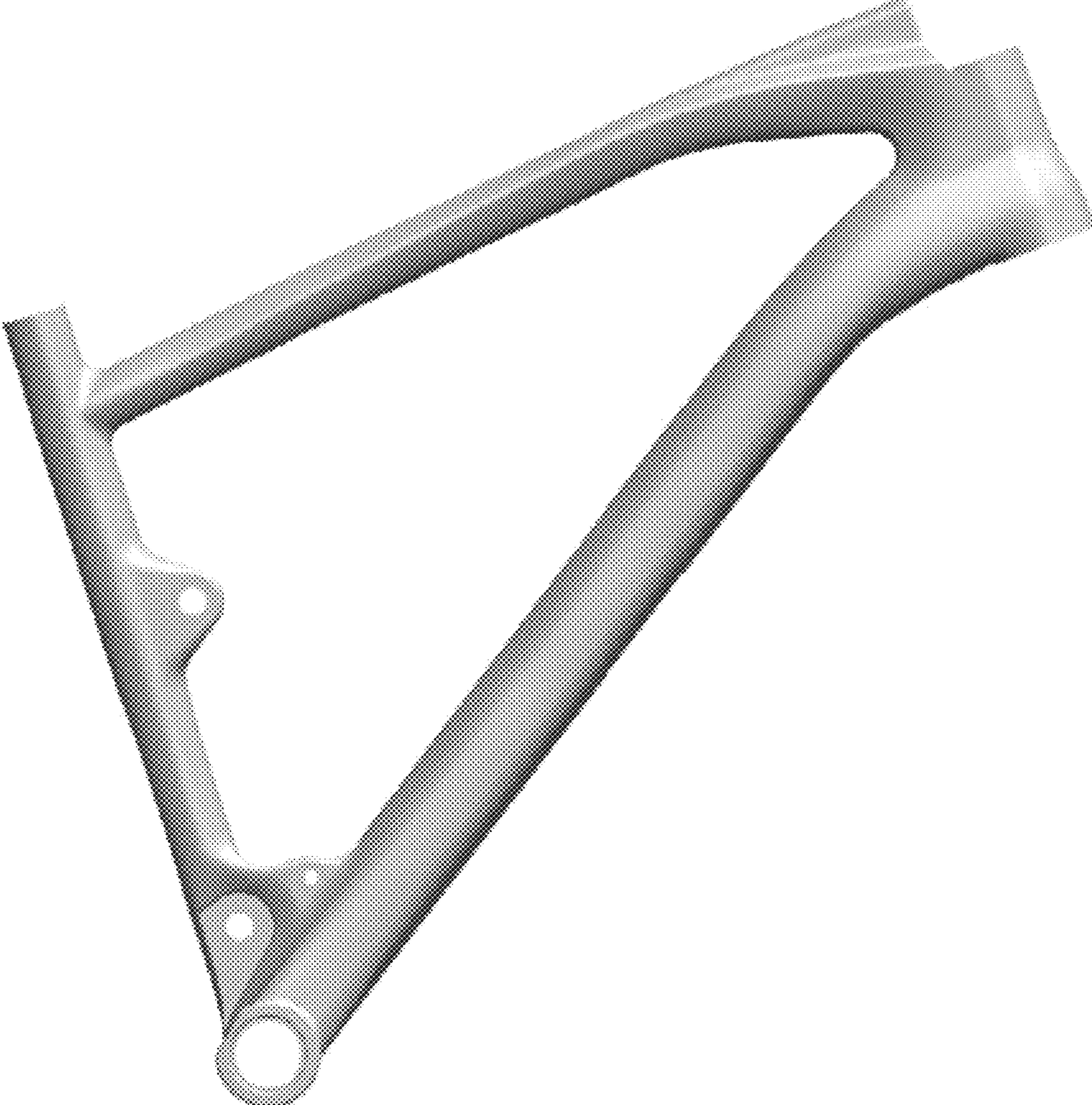


FIG. 3



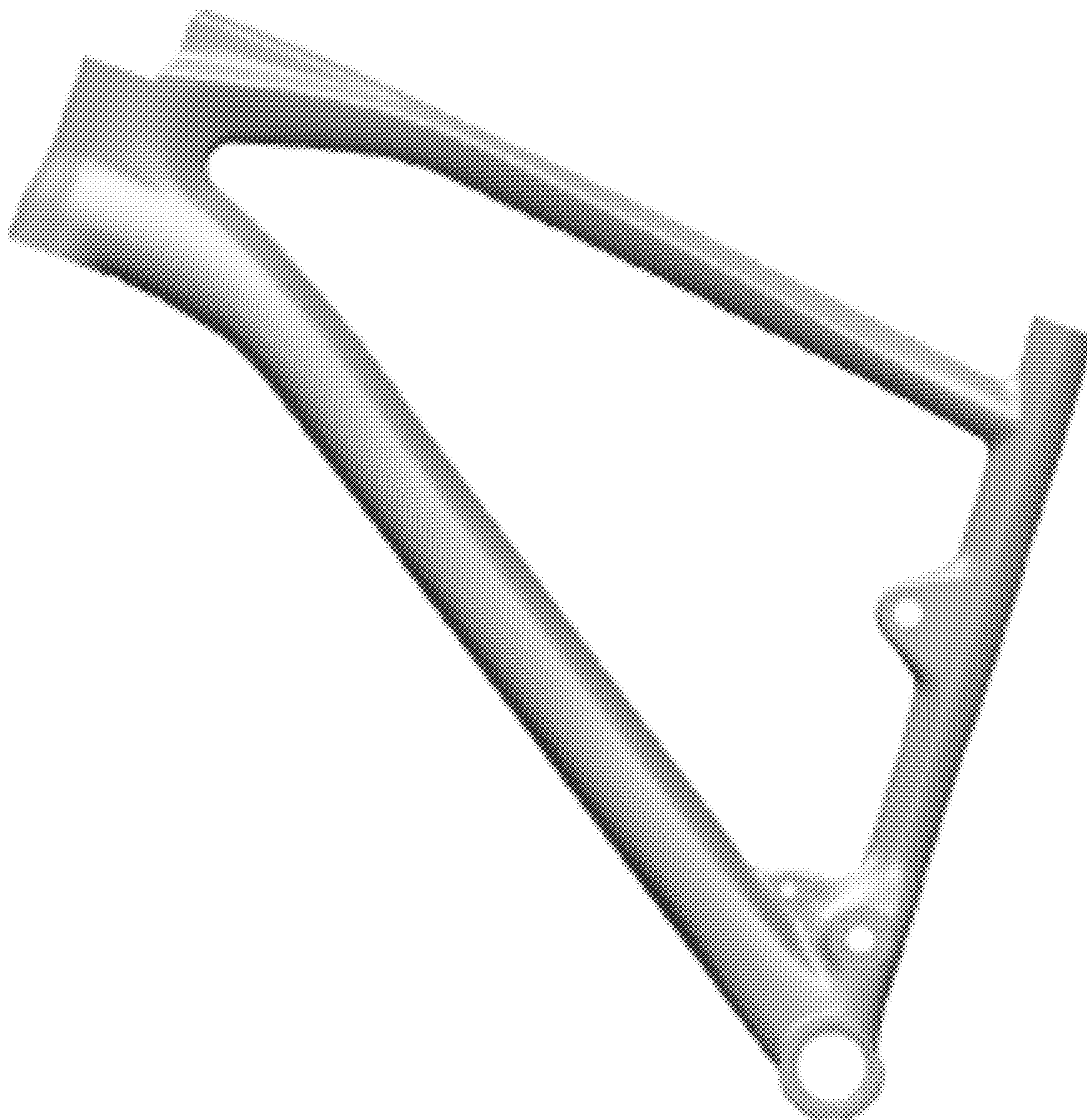
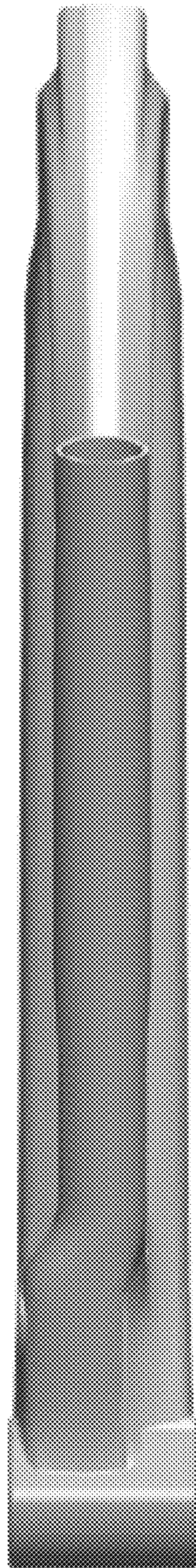


FIG. 4



*FIG. 5*



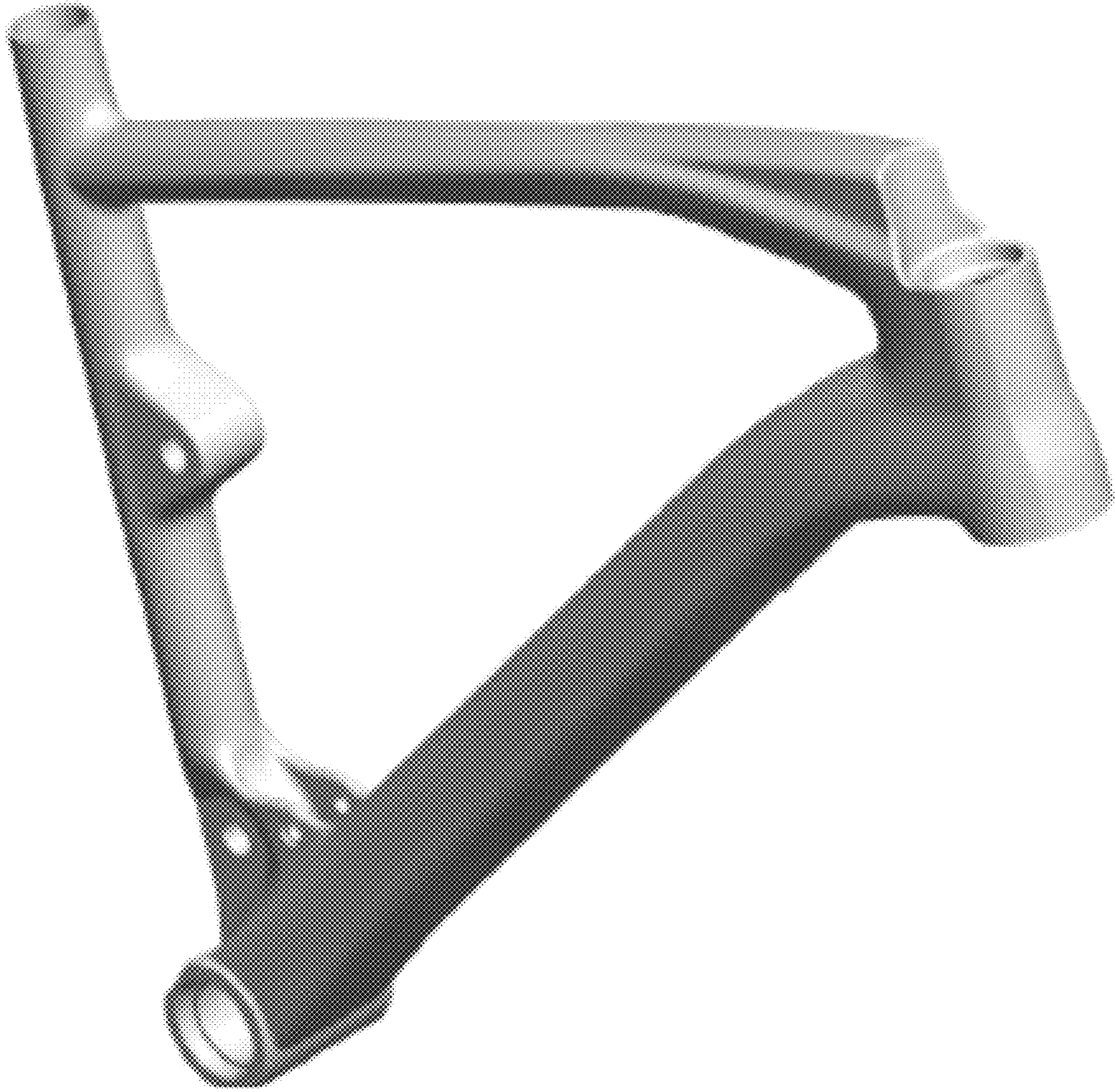


FIG. 6



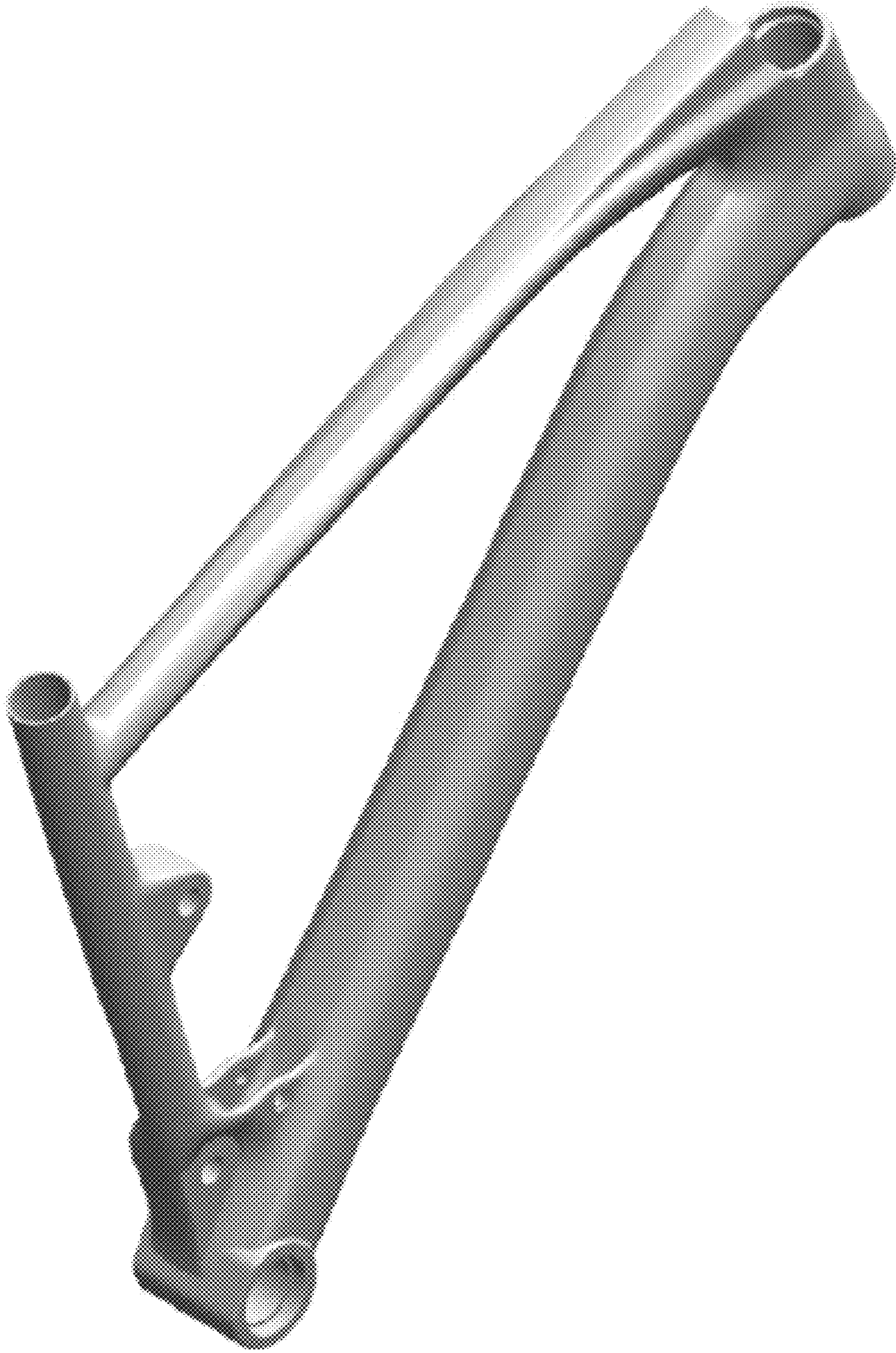
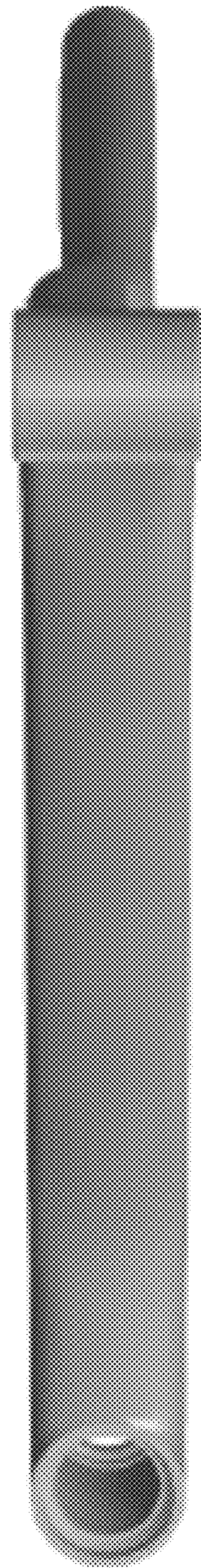


FIG. 7





*FIG. 8*