

US00D673882S

(12) **United States Design Patent**
Tartarini

(10) **Patent No.:** **US D673,882 S**
(45) **Date of Patent:** **** Jan. 8, 2013**

(54) **SCOOTER**

(75) Inventor: **Alessandro Tartarini**, Reggio Emilia (IT)

(73) Assignee: **Lambretta Motolife Italia S.p.A.**, Rome (IT)

(**) Term: **14 Years**

(21) Appl. No.: **29/407,878**

(22) Filed: **Dec. 2, 2011**

(51) **LOC (9) Cl.** **12-11**

(52) **U.S. Cl.** **D12/110**

(58) **Field of Classification Search** D12/110;
180/219, 220

See application file for complete search history.

(56) **References Cited**

U.S. PATENT DOCUMENTS

| | | | | |
|--------------|---------|-------------|-------|---------|
| D270,436 S * | 9/1983 | Gaddi | | D12/110 |
| D596,992 S * | 7/2009 | Yang | | D12/110 |
| D602,813 S * | 10/2009 | Chao et al. | | D12/110 |
| D610,490 S * | 2/2010 | Wong | | D12/110 |
| D647,006 S * | 10/2011 | Hung | | D12/110 |

OTHER PUBLICATIONS

1960 Lambretta Motor Scooter 22 (2 pages). [Retrieved on Aug. 6, 2012]. Retrieved from the Internet <URL: <http://www.flickr.com/photos/39911172@N08/4690199408/>>.*

* cited by examiner

Primary Examiner — Susan M Lee

Assistant Examiner — Linda G. Brooks

(74) *Attorney, Agent, or Firm* — Hedman & Costigan, P.C.; Kathleen A. Costigan

(57) **CLAIM**

The ornamental design for a scooter, as shown and described.

DESCRIPTION

FIG. 1 is a front, left side perspective view of the scooter; FIG. 2 is a front, right side perspective view thereof; FIG. 3 is a rear, left side perspective view thereof; FIG. 4 is a rear, right side perspective view thereof; FIG. 5 is a another front, left side perspective view thereof; FIG. 6 is a another front, right side perspective view thereof; FIG. 7 is a another rear, right side perspective view thereof; FIG. 8 is a another rear, left side perspective view thereof; FIG. 9 is a left side view thereof; FIG. 10 is a right side view of thereof; FIG. 11 is a front view thereof; FIG. 12 is a rear view of thereof; FIG. 13 is a top view thereof; and, FIG. 14 is a bottom view thereof.

1 Claim, 14 Drawing Sheets





FIG.1



FIG.2



FIG. 3



FIG. 4



FIG. 5



FIG. 6



FIG. 7



FIG. 8

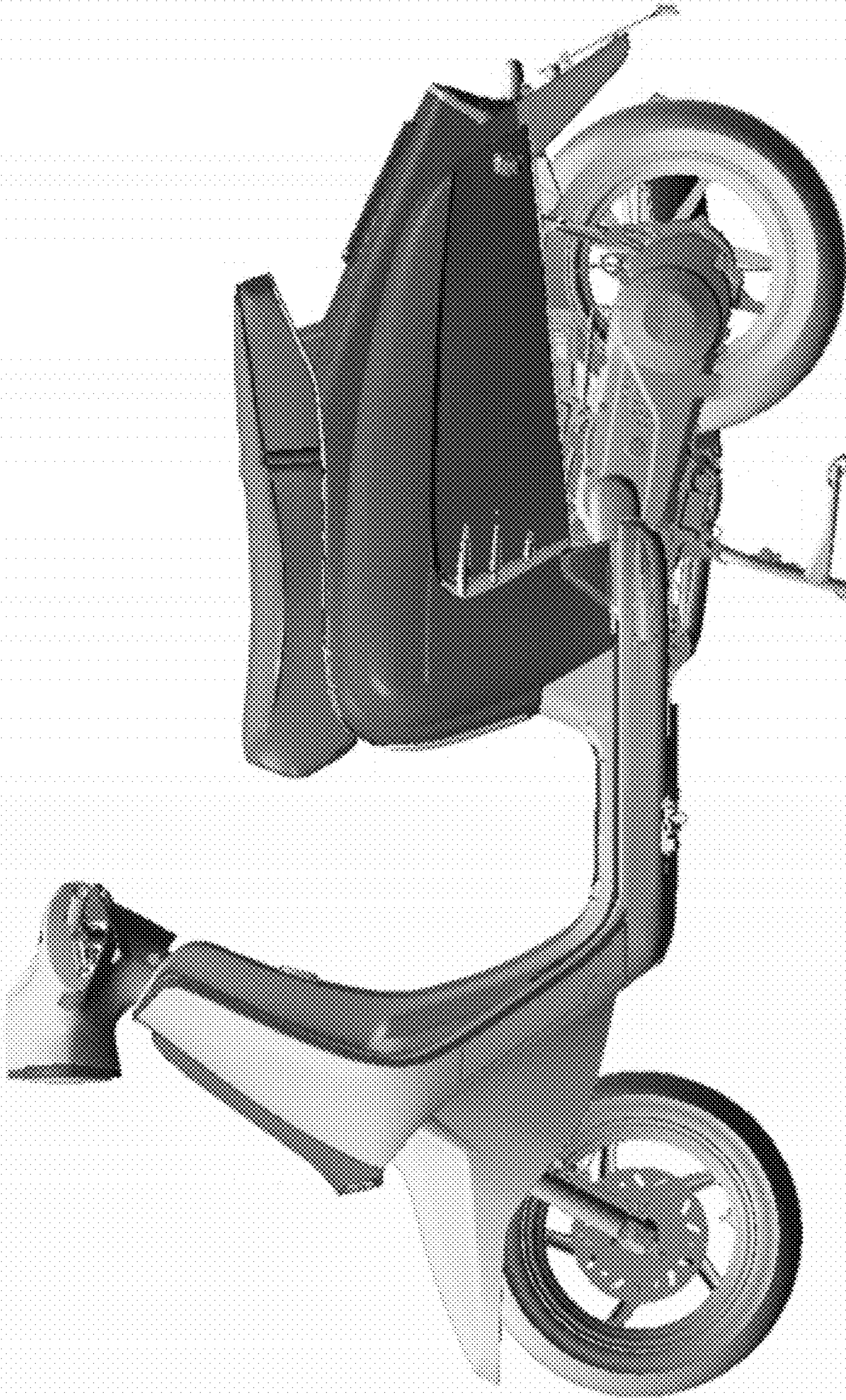


FIG. 9



FIG. 10

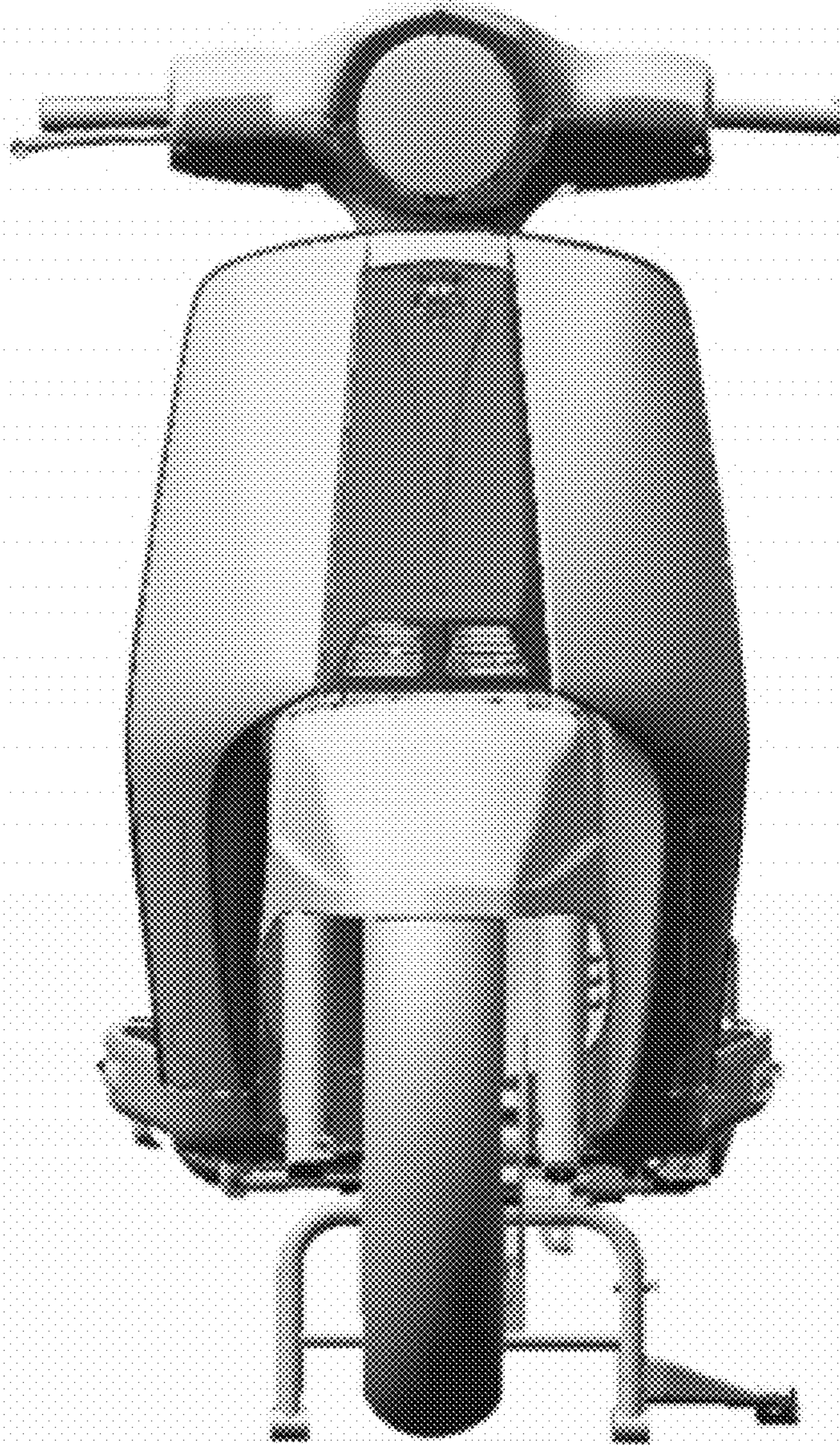


FIG. 11

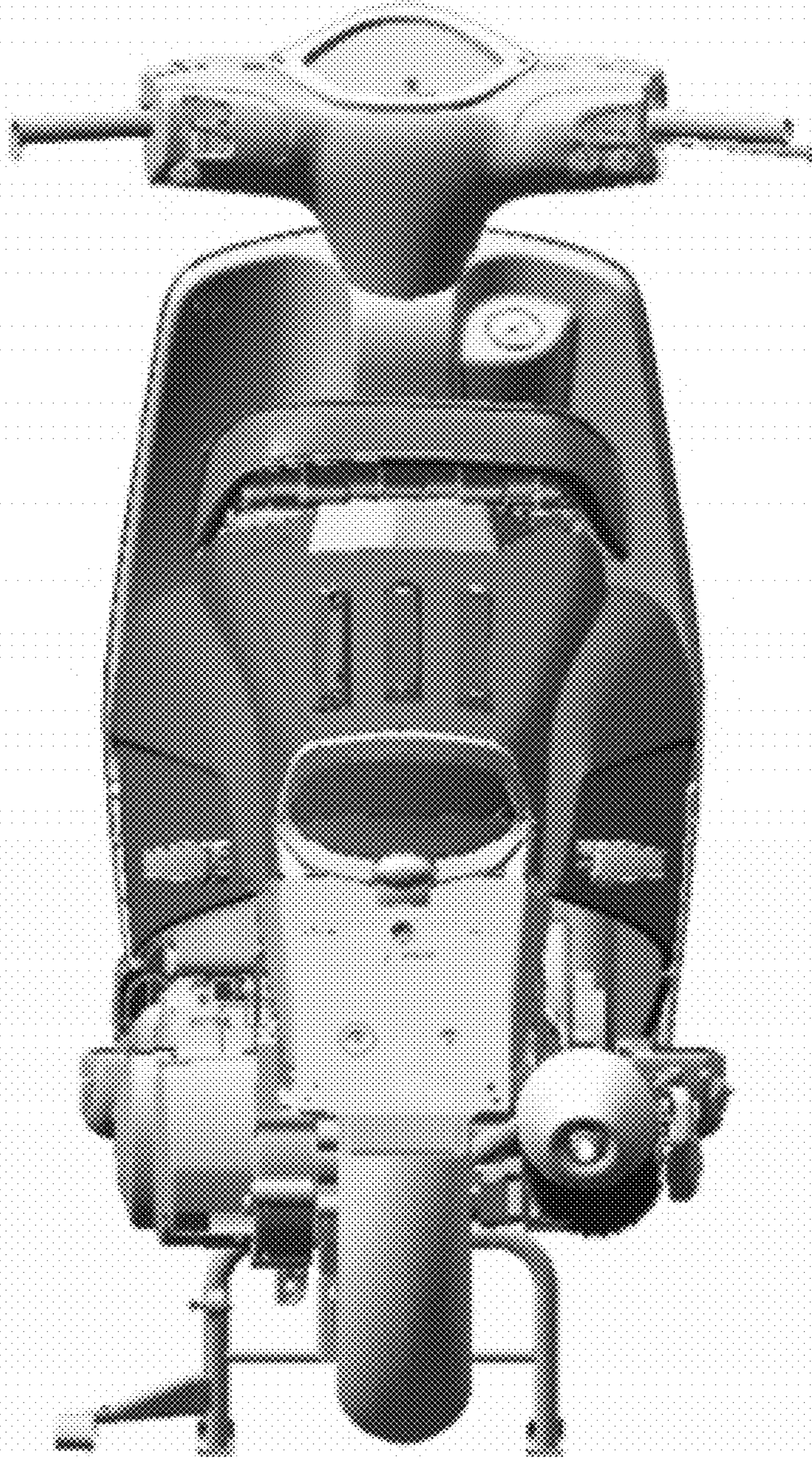


FIG. 12

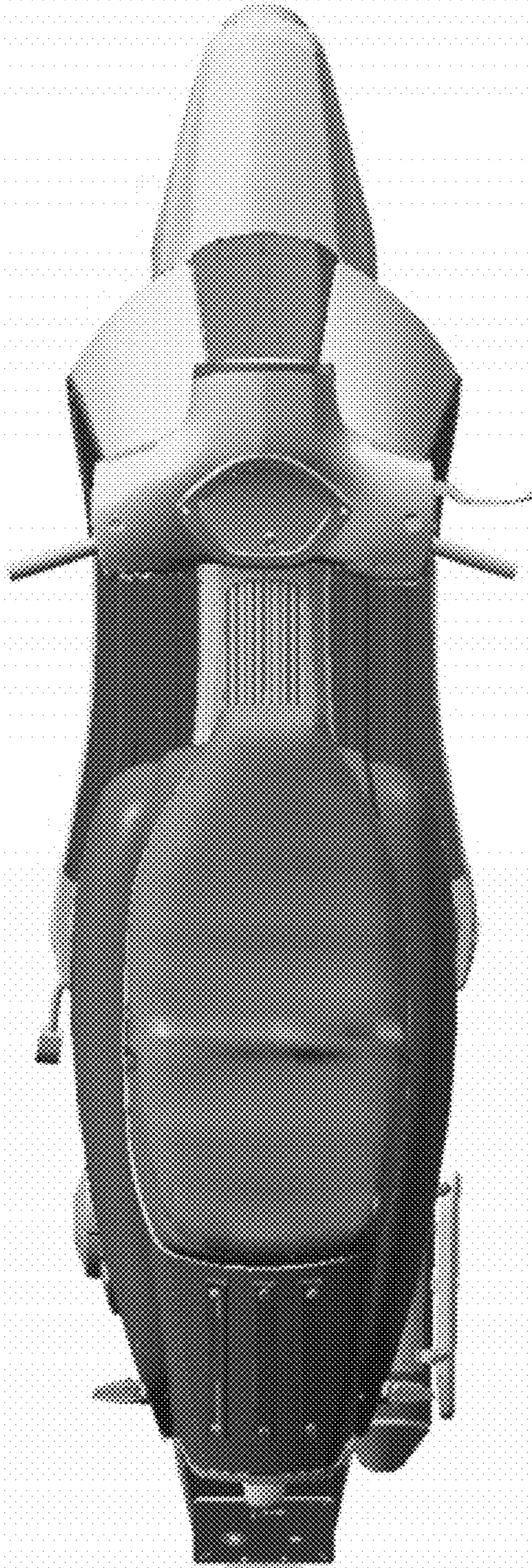


FIG. 13

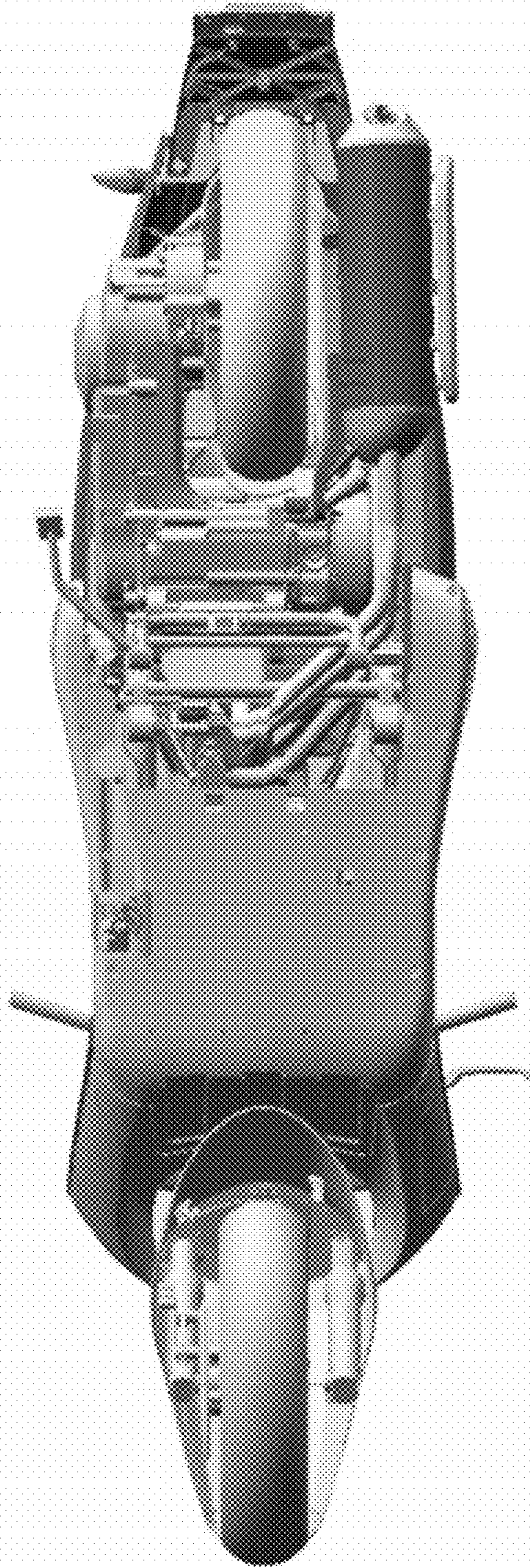


FIG. 14