



US00D673869S

(12) **United States Design Patent**
Yu

(10) **Patent No.:** **US D673,869 S**
(45) **Date of Patent:** **** Jan. 8, 2013**

(54) **LED STROBE LIGHT**

(75) Inventor: **Feng Yu, Ningbo (CN)**

(73) Assignee: **Ningbo Yinzhou Self Photoelectron Technology Co., Ltd., Ningbo (CN)**

(**) Term: **14 Years**

(21) Appl. No.: **29/422,830**

(22) Filed: **May 24, 2012**

(30) **Foreign Application Priority Data**

Mar. 5, 2012 (CN) 2012 3 0046905

(51) **LOC (9) Cl.** **10-05**

(52) **U.S. Cl.** **D10/114.2**

(58) **Field of Classification Search** ... D10/114.1-114.4,
D10/114.6, 114.9, 113.1, 111; D26/67, 76;
362/184; 340/815.4, 321; 315/86; 116/173;
D27/131

See application file for complete search history.

(56) **References Cited**

U.S. PATENT DOCUMENTS

D304,694 S * 11/1989 Goss D10/114.1
D349,466 S * 8/1994 Chang D10/114.1

D421,658 S * 3/2000 Ting D26/38
D544,117 S * 6/2007 Coughaine D26/37
D544,618 S * 6/2007 Coughaine D26/37
D561,921 S * 2/2008 Aleksjew D26/37
D654,387 S * 2/2012 Wilson et al. D10/114.2
2006/0104054 A1 * 5/2006 Coman 362/153.1
2012/0013256 A1 * 1/2012 McDermott 315/129

* cited by examiner

Primary Examiner — George D Kirschbaum

(74) *Attorney, Agent, or Firm* — The Webb Law Firm

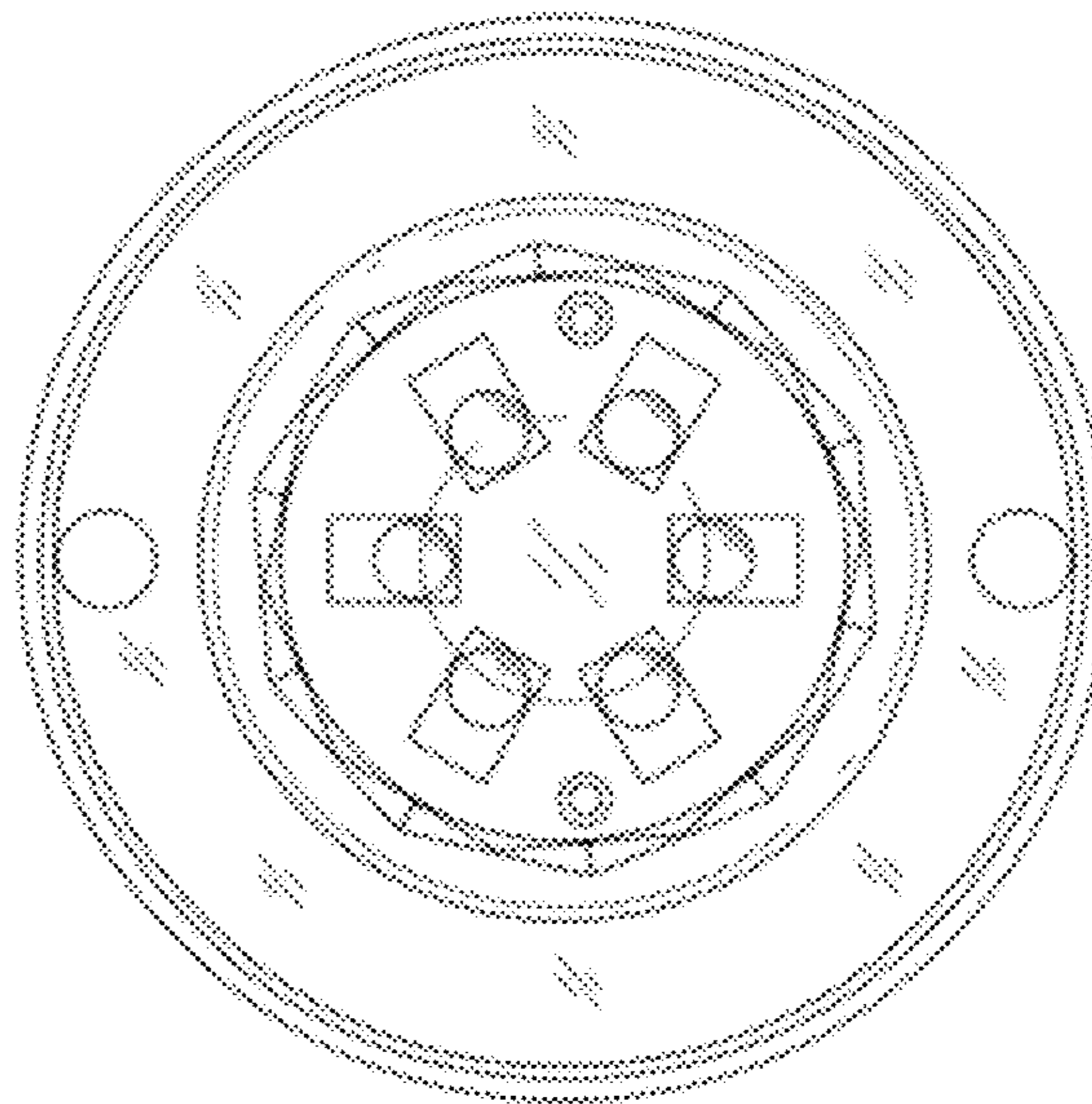
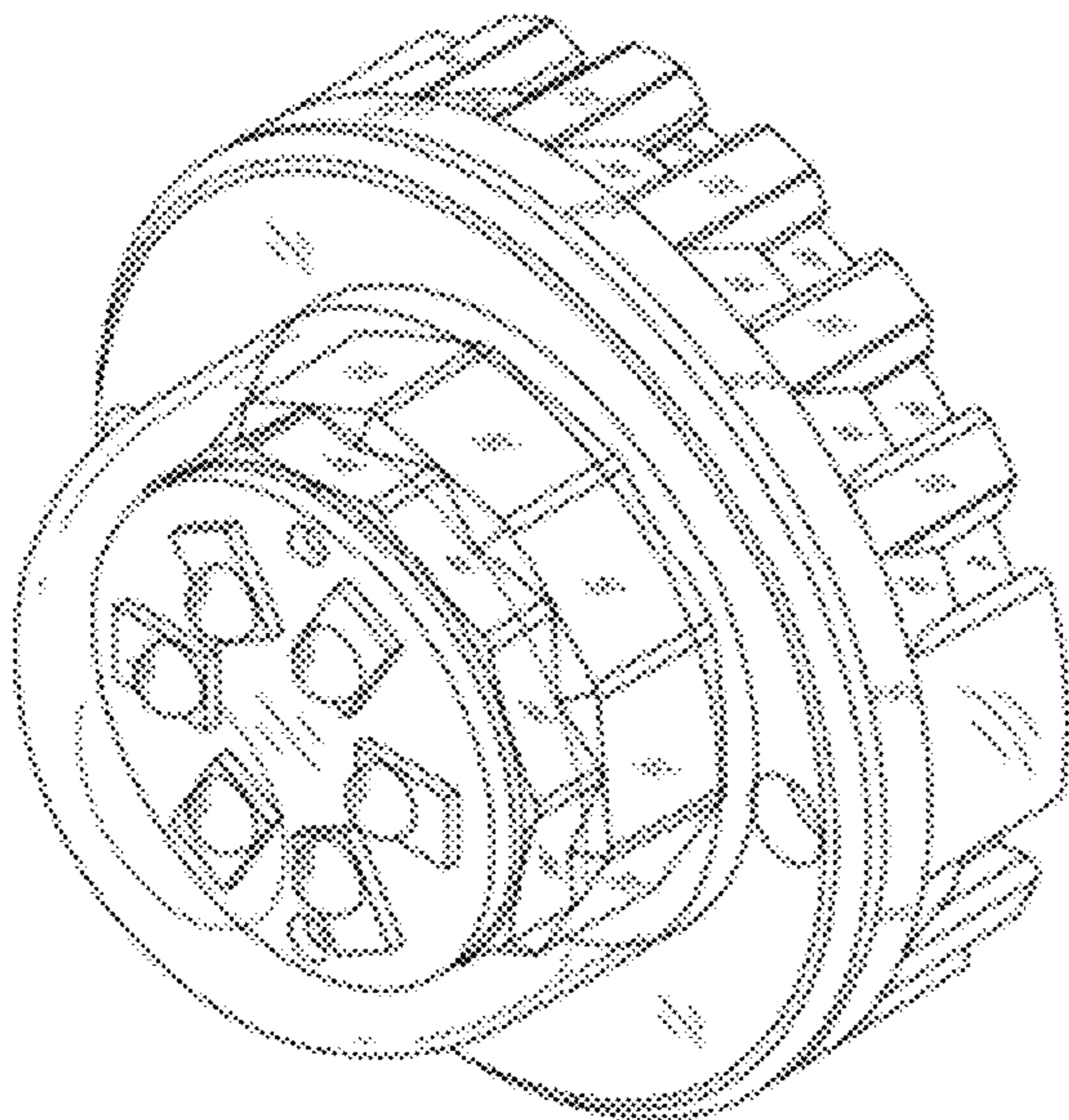
(57) **CLAIM**

The ornamental design for a LED strobe light, as shown and described.

DESCRIPTION

FIG. 1 is a front perspective view of a LED strobe light, showing my new design.
FIG. 2 is a front view thereof.
FIG. 3 is a rear view thereof.
FIG. 4 is a top view thereof.
FIG. 5 is a bottom view thereof.
FIG. 6 is a left side view thereof; and,
FIG. 7 is a right side view thereof.

1 Claim, 7 Drawing Sheets



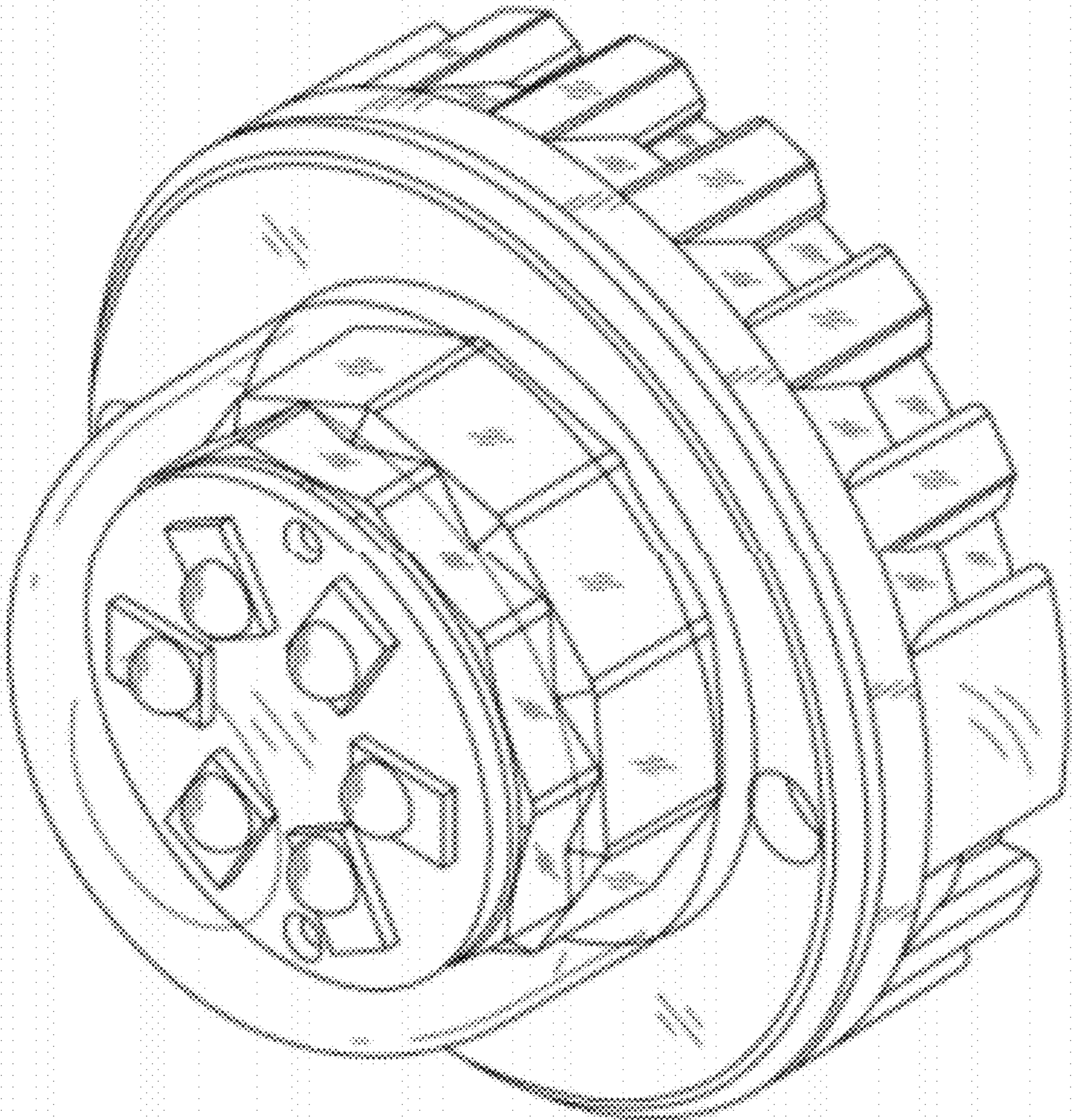


FIG. 1

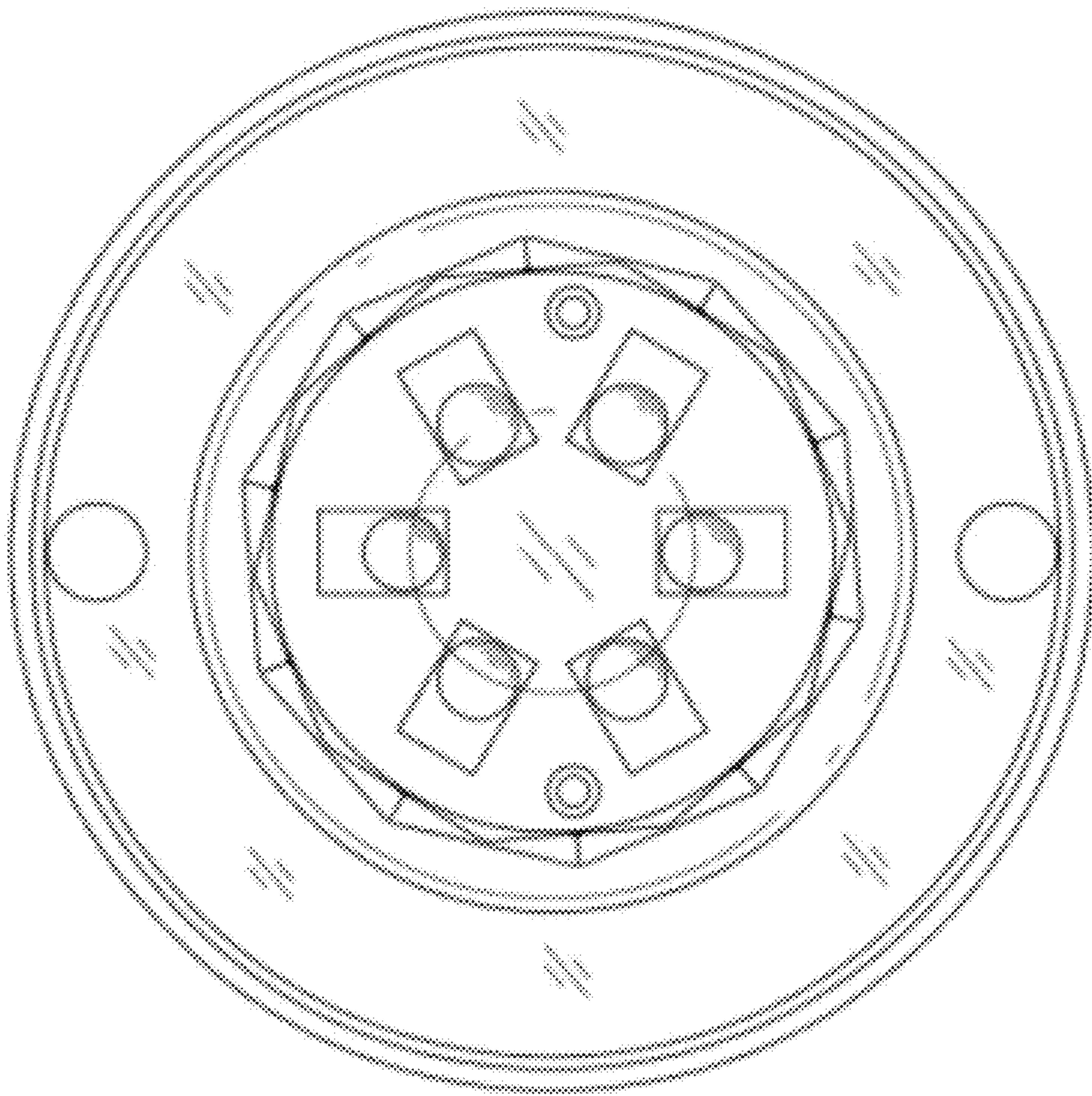


FIG. 2

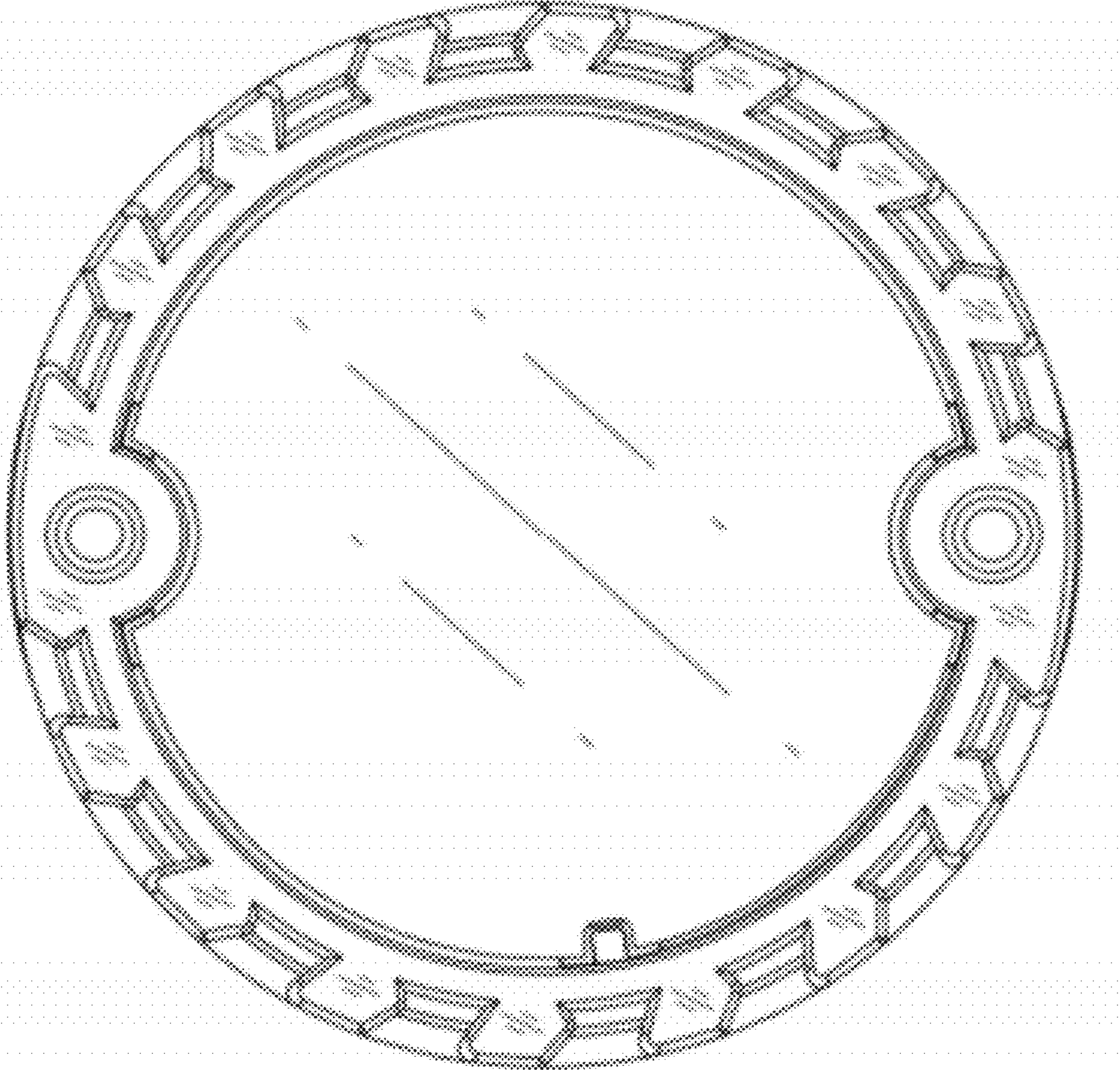


FIG. 3

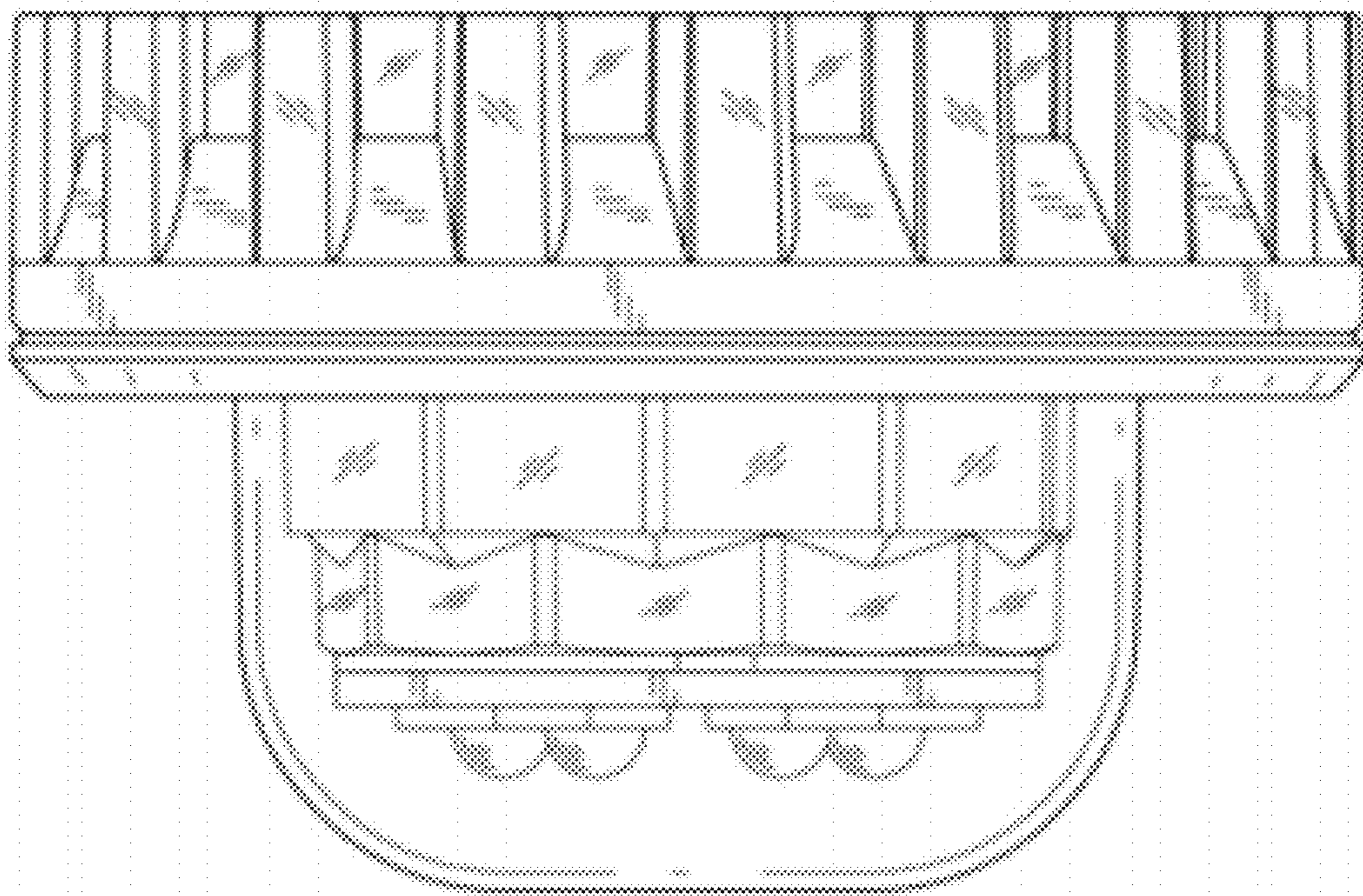


FIG. 4

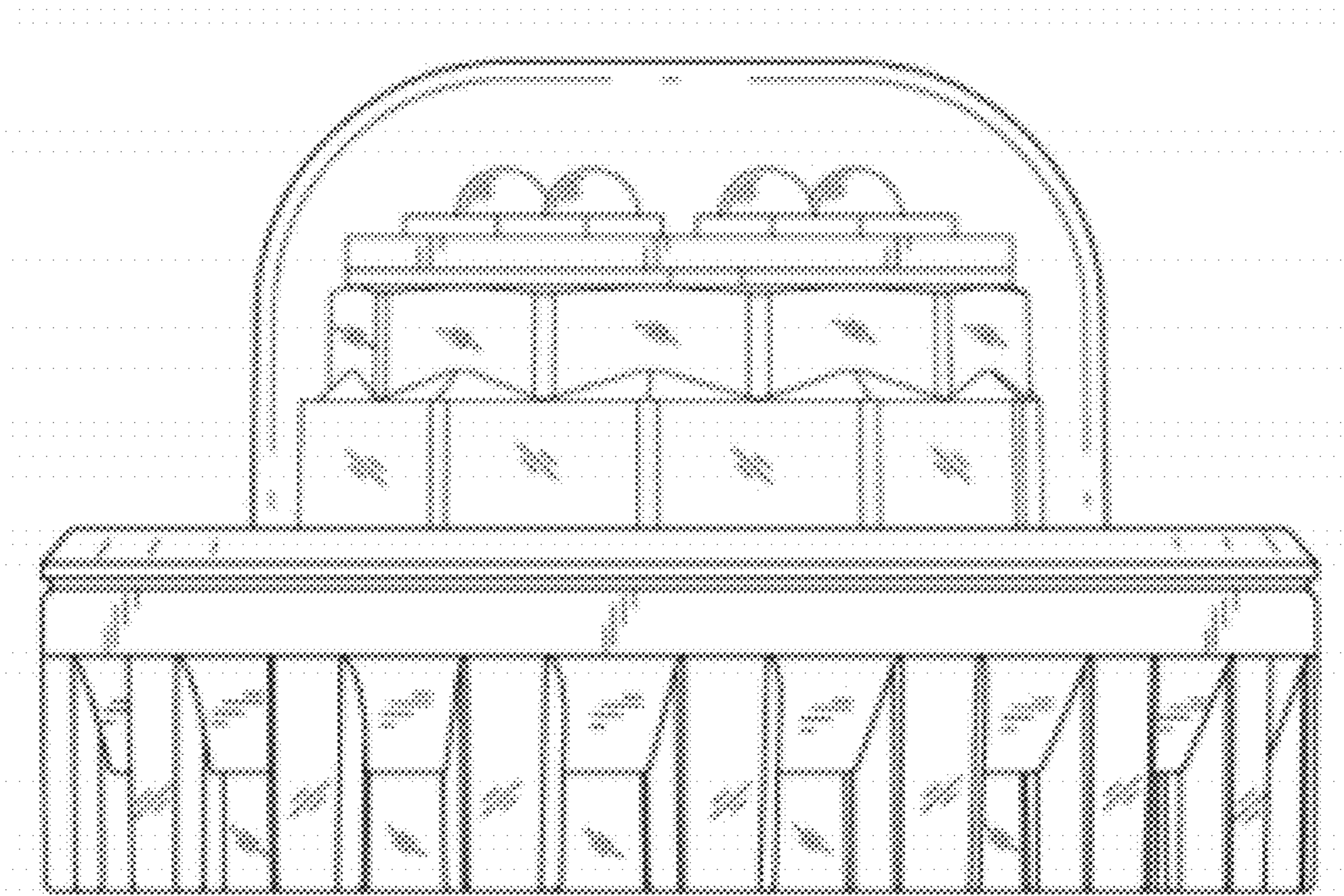


FIG. 5

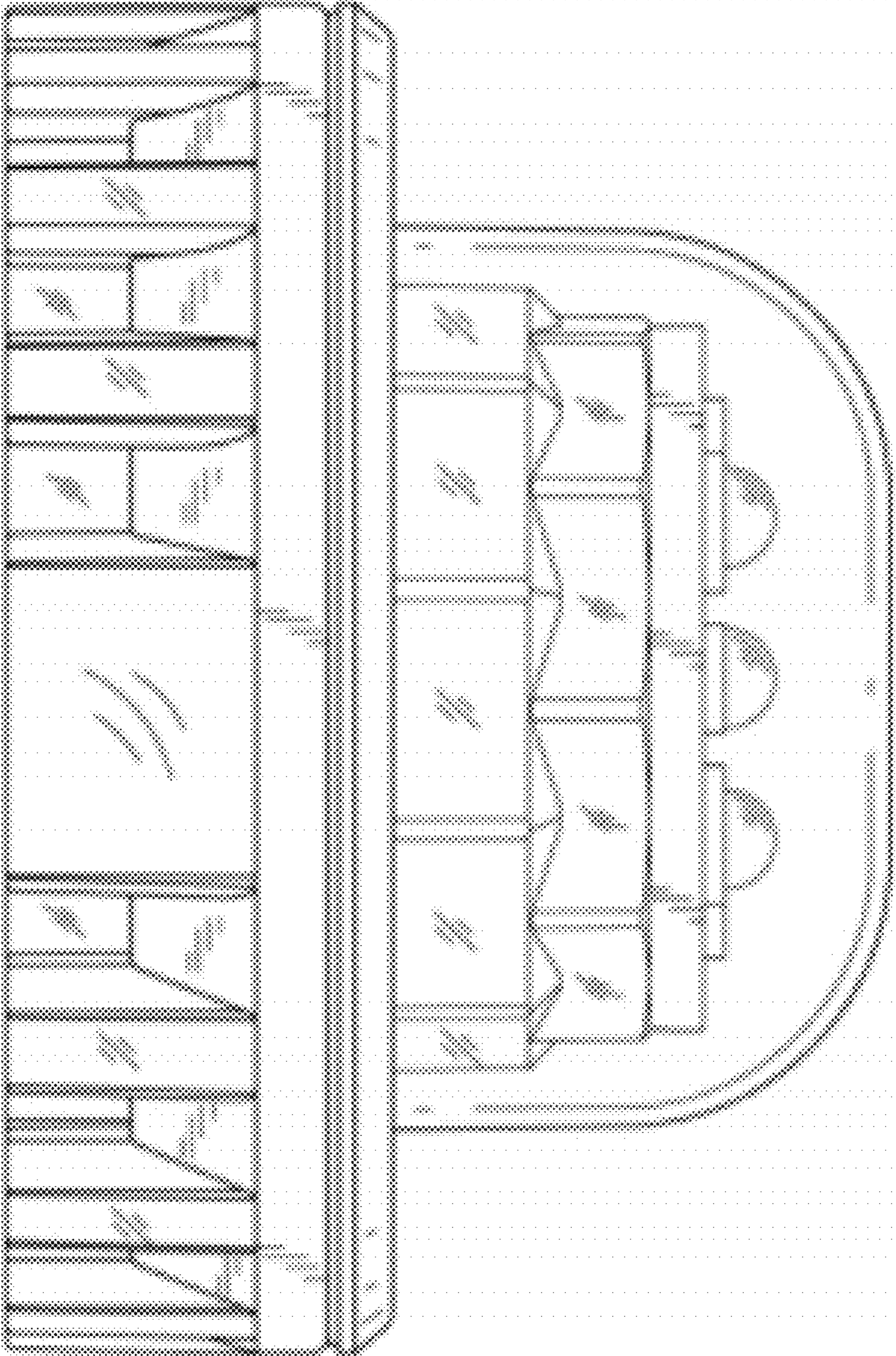


FIG. 6

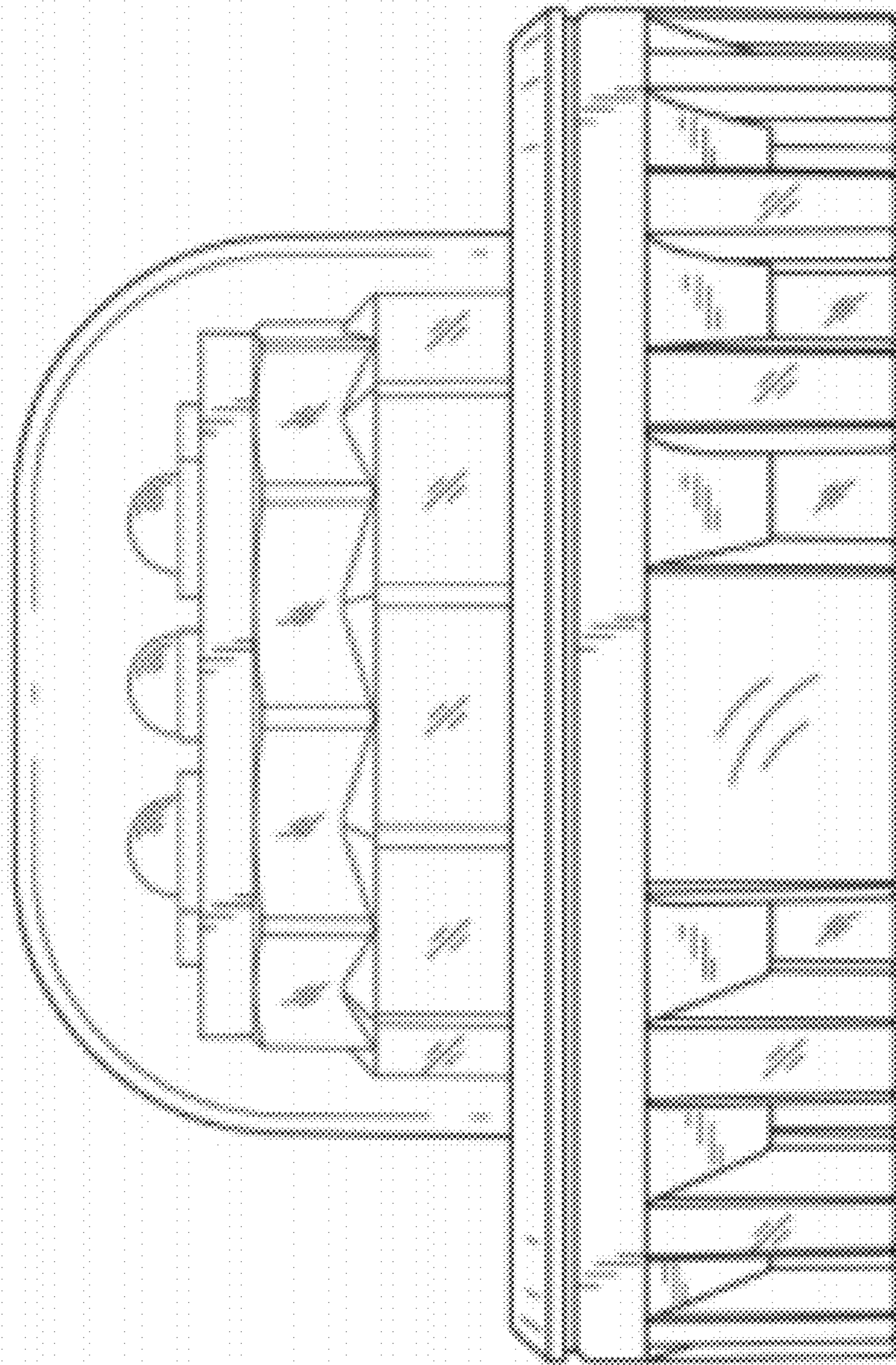


FIG. 7