



US00D673868S

(12) **United States Design Patent**
Mille

(10) **Patent No.:** **US D673,868 S**
(45) **Date of Patent:** **** Jan. 8, 2013**

(54) **WATCH**

(75) **Inventor:** **Richard Mille**, Moulins (FR)

(73) **Assignee:** **Turlen Holding SA**, Delemont (CH)

(**) **Term:** **14 Years**

(21) **Appl. No.:** **29/391,045**

(22) **Filed:** **May 3, 2011**

(30) **Foreign Application Priority Data**

Nov. 3, 2010 (WO) DM/074 668

(51) **LOC (9) Cl.** **10-02**

(52) **U.S. Cl.** **D10/39**

(58) **Field of Classification Search** D10/30-39,
D10/122-132; 368/276, 281, 282, 285, 223,
368/232, 80, 228

See application file for complete search history.

(56) **References Cited**

U.S. PATENT DOCUMENTS

4,534,660	A *	8/1985	Laesser	368/220
D401,864	S *	12/1998	Navera	D10/32
D404,320	S *	1/1999	Chodat	D10/39
D438,473	S *	3/2001	Dumas	D10/39
D456,274	S *	4/2002	Mille	D10/30
D457,818	S *	5/2002	Avranches	D10/39
D505,342	S *	5/2005	Hayek	D10/39
D506,684	S *	6/2005	Junod	D10/30

D519,390	S *	4/2006	Lovegrove	D10/39
D530,628	S *	10/2006	Raffy	D10/32
D540,699	S *	4/2007	Niculescu	D10/39
D553,020	S *	10/2007	Sirmakes	D10/32
D568,180	S *	5/2008	Laucella	D10/39
D570,230	S *	6/2008	Monachon	D10/32
D579,793	S *	11/2008	Hayek	D10/39
D606,888	S *	12/2009	Mille	D10/38
D616,312	S *	5/2010	Ellia	D10/39
D624,439	S *	9/2010	Wunderman	D10/32
D629,322	S *	12/2010	Behling	D10/124
D636,692	S *	4/2011	Pospieszny et al.	D10/129
D648,639	S *	11/2011	Mille	D10/39
D650,708	S *	12/2011	Laucella	D10/39

* cited by examiner

Primary Examiner — Lucy Lieberman

(74) *Attorney, Agent, or Firm* — Collen IP; Donald J. Ranft

(57) **CLAIM**

The ornamental design for a watch, as shown and described.

DESCRIPTION

FIG. 1 is a front view of a watch showing our new design;

FIG. 2 is a rear view thereof;

FIG. 3 is a right side view thereof;

FIG. 4 is left side view thereof;

FIG. 5 is a bottom view thereof;

FIG. 6 is a front perspective view thereof; and,

FIG. 7 is a rear perspective view thereof.

The portions of the watch shown in broken lines form no part of the claimed design.

1 Claim, 7 Drawing Sheets

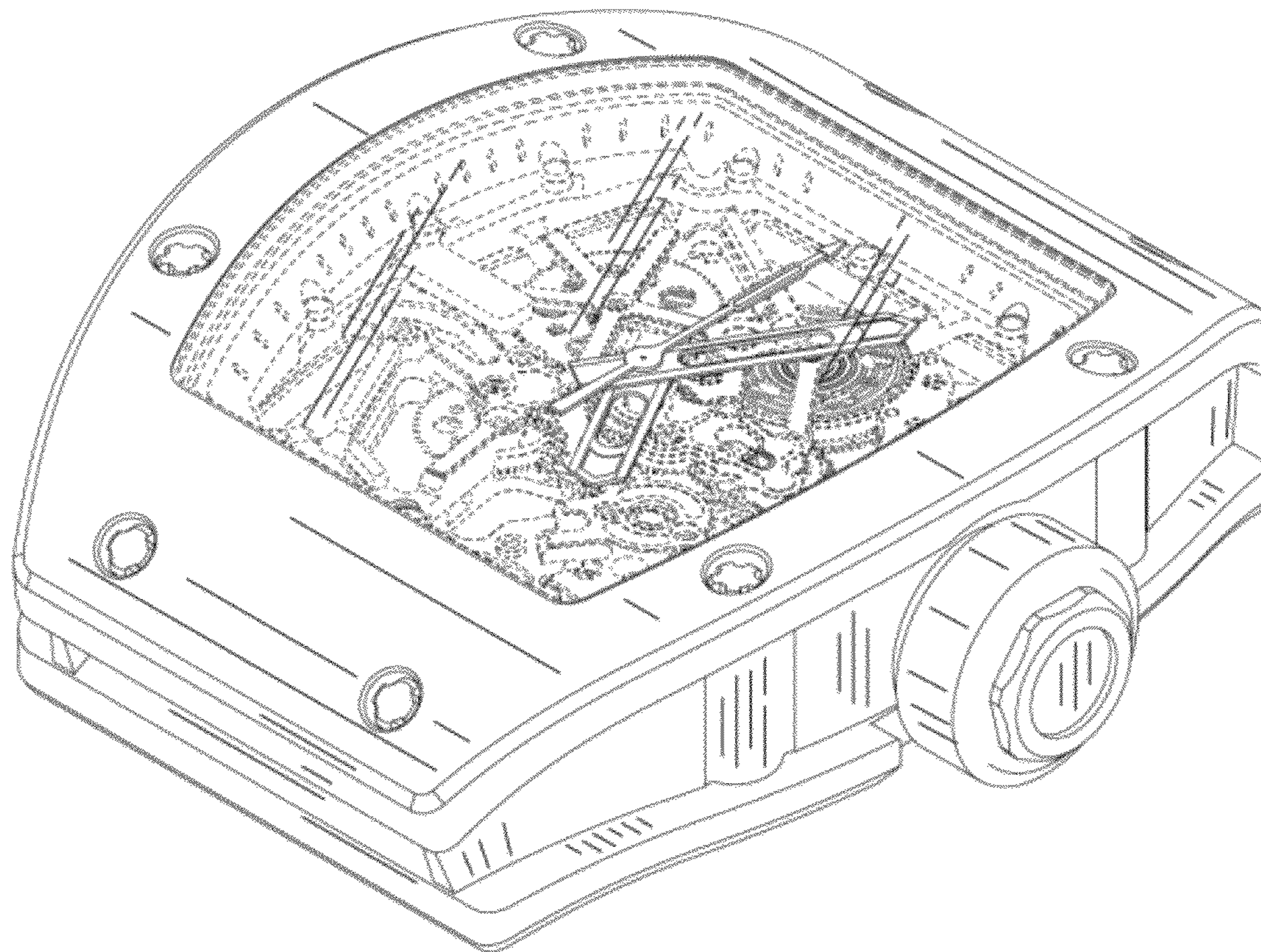




Fig. 1

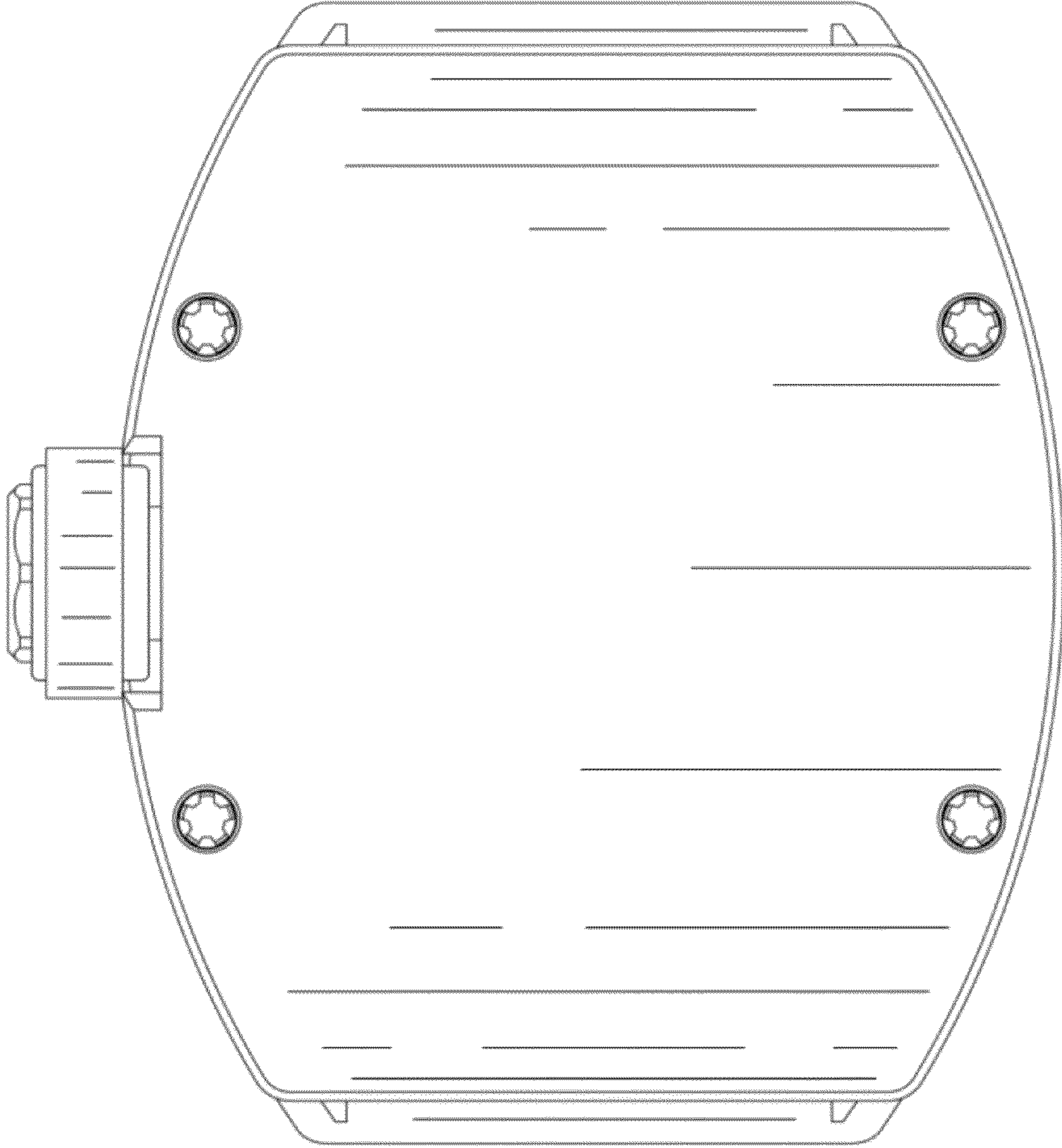


Fig. 2

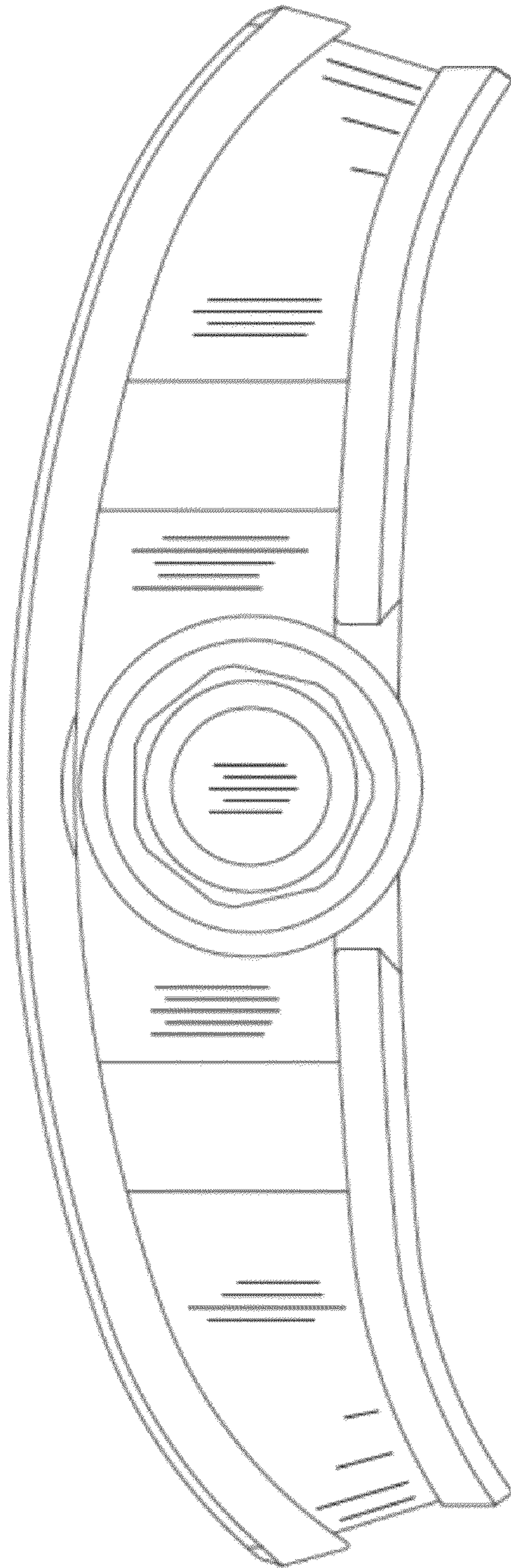


Fig. 3

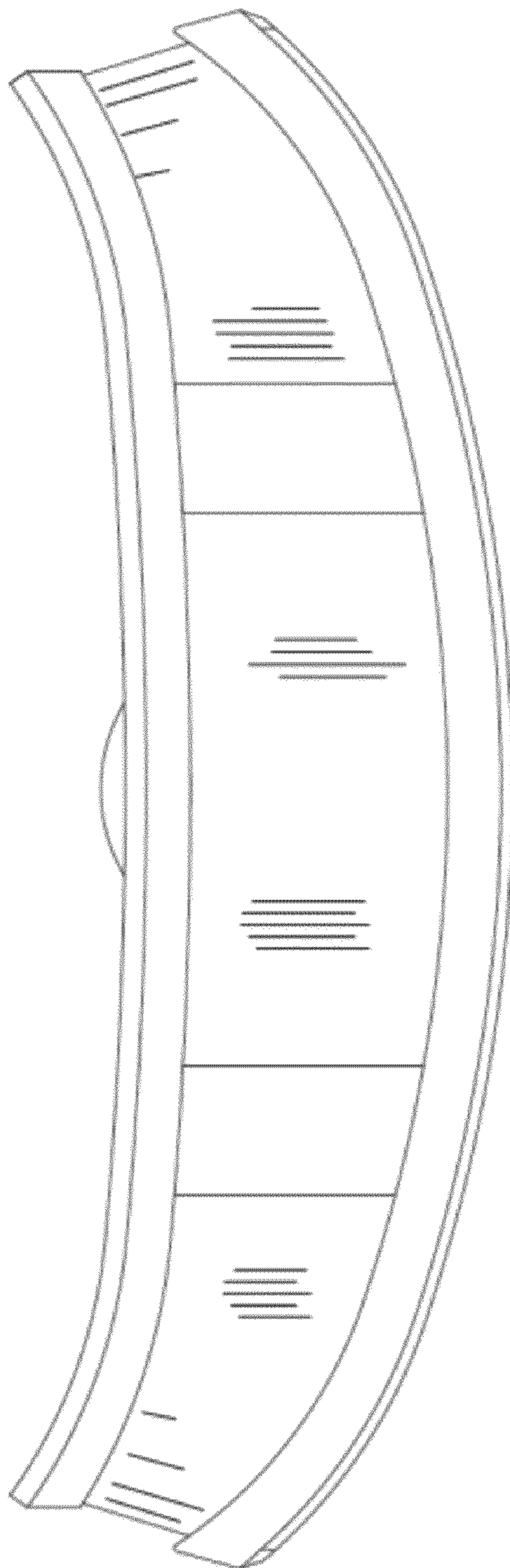


Fig. 4

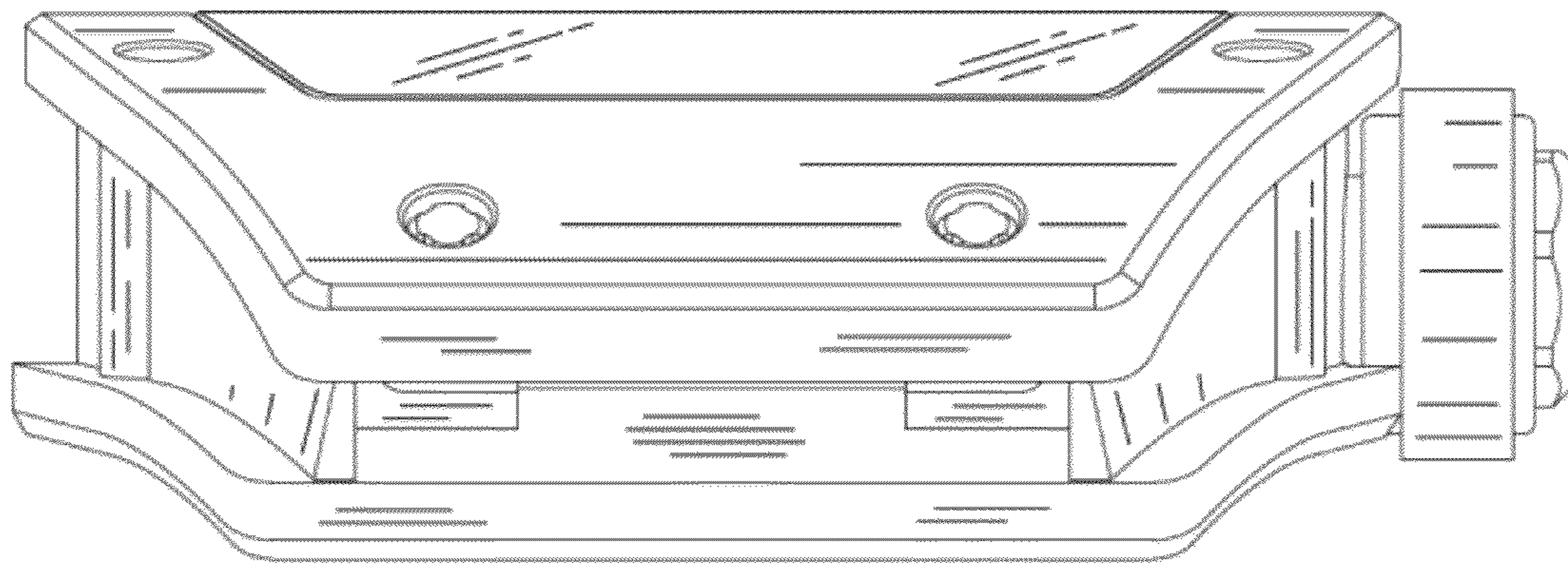


Fig. 5

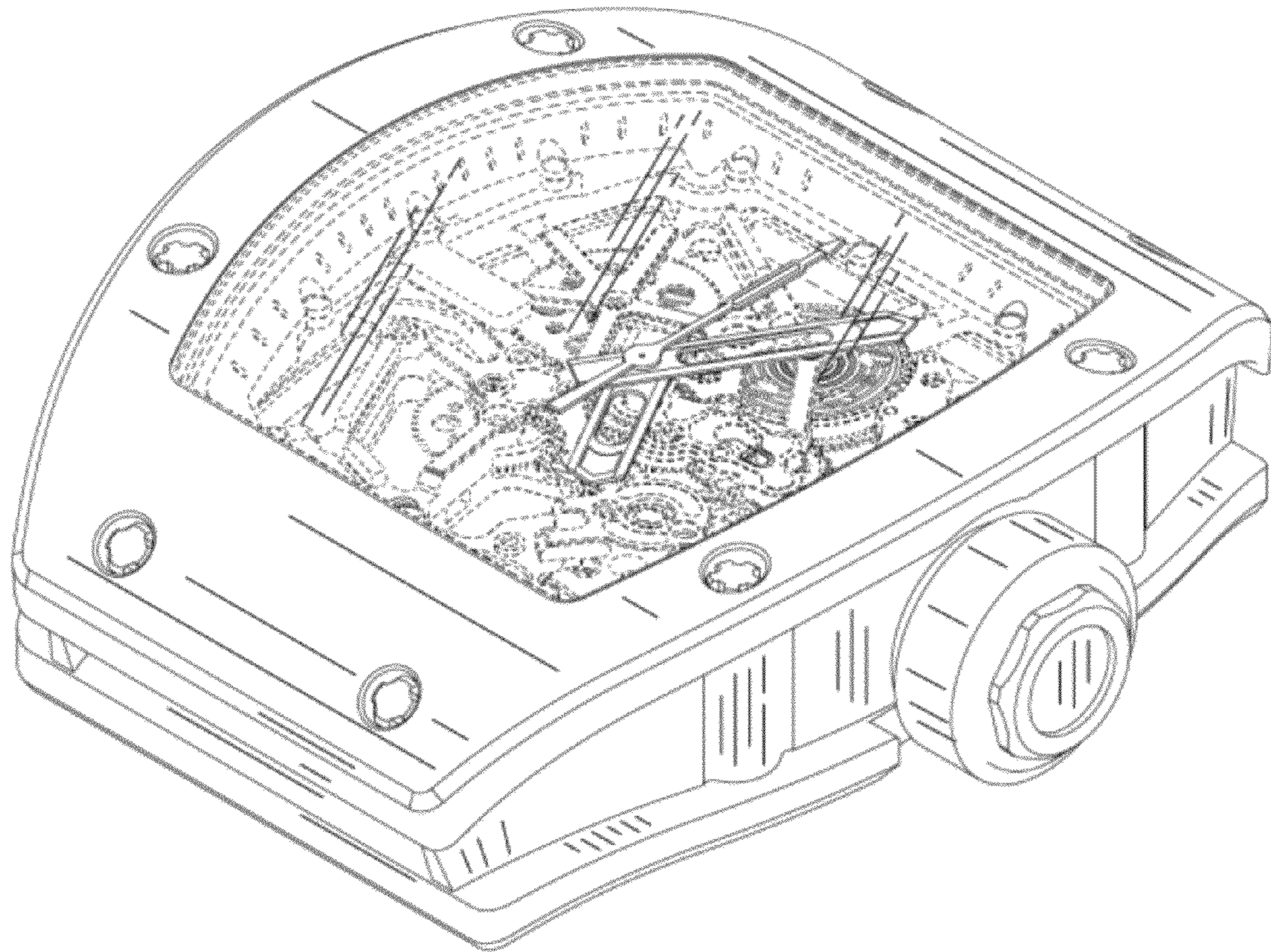


Fig. 6

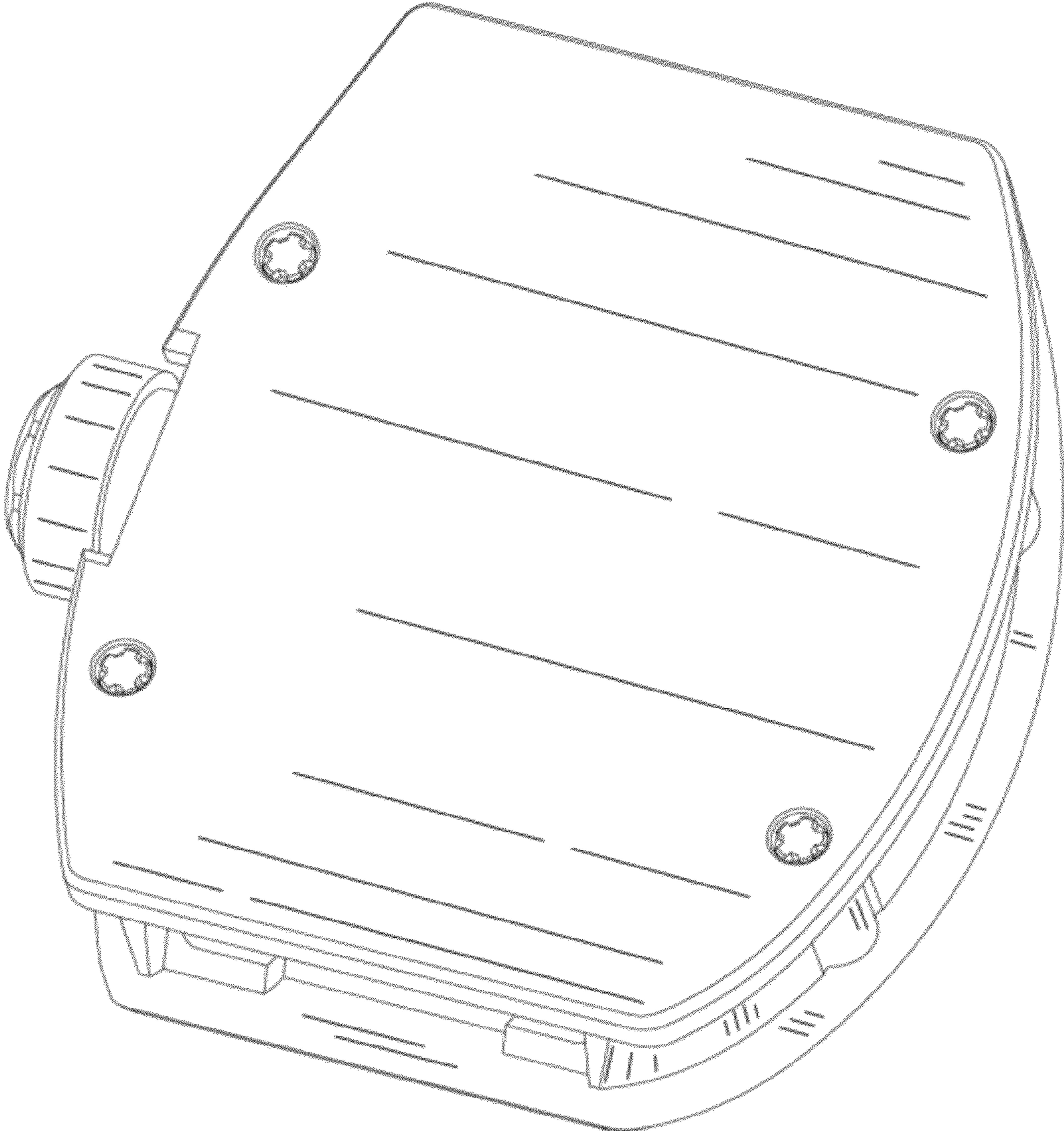


Fig. 7