

US00D673867S

(12) **United States Design Patent**
Oliveira

(10) **Patent No.:** **US D673,867 S**

(45) **Date of Patent:** **** Jan. 8, 2013**

(54) **WRISTWATCH**

(75) **Inventor:** **Nuno Oliveira**, Neuchâtel (CH)

(73) **Assignee:** **Rado Watch Co., Ltd.**, Lengnau (CH)

(**) **Term:** **14 Years**

(21) **Appl. No.:** **29/424,424**

(22) **Filed:** **Jun. 12, 2012**

(30) **Foreign Application Priority Data**

Dec. 12, 2011 (WO) DM/077 256

(51) **LOC (9) Cl.** **10-02**

(52) **U.S. Cl.** **D10/32**

(58) **Field of Classification Search** D10/30-39,
D10/122-132; 368/276, 281, 282, 223, 228,
368/232

See application file for complete search history.

(56) **References Cited**

U.S. PATENT DOCUMENTS

2,532,161	A	*	11/1950	Gomberg	224/179
D225,124	S	*	11/1972	Osawa	D10/39
D397,622	S	*	9/1998	de Baschmakoff	D10/39
D423,373	S	*	4/2000	Wunderman	D10/32
D432,437	S	*	10/2000	Lassigne	D10/32
D447,701	S	*	9/2001	Bodino	D10/32
D455,084	S	*	4/2002	Mauboussin	D10/39

D461,726	S	*	8/2002	Jamin	D10/32
D471,822	S	*	3/2003	Goeckeritz	D10/32
D475,935	S	*	6/2003	Modolo	D10/39
D494,477	S	*	8/2004	Lalo	D10/30
D502,411	S	*	3/2005	Sabarthes et al.	D10/39
D524,170	S	*	7/2006	Bulgari	D10/32
D530,226	S	*	10/2006	Senggen et al.	D10/32
D534,438	S	*	1/2007	Bedat	D10/32
D563,801	S	*	3/2008	Holtzman	D10/39
D589,375	S	*	3/2009	Tang	D10/32
D598,304	S	*	8/2009	Belamich	D10/39
D638,723	S	*	5/2011	Ong	D10/32

* cited by examiner

Primary Examiner — Lucy Lieberman

(74) *Attorney, Agent, or Firm* — Collen IP; Donald J. Ranft

(57) **CLAIM**

The ornamental design for a wristwatch, as shown and described.

DESCRIPTION

FIG. 1 is a front view of a wristwatch showing my new design;
FIG. 2 is a rear view thereof;
FIG. 3 is a bottom view thereof;
FIG. 4 is a top view thereof;
FIG. 5 is a left side view thereof;
FIG. 6 is a right side view thereof;
FIG. 7 is a front perspective view thereof; and,
FIG. 8 is a rear perspective view thereof.

1 Claim, 5 Drawing Sheets

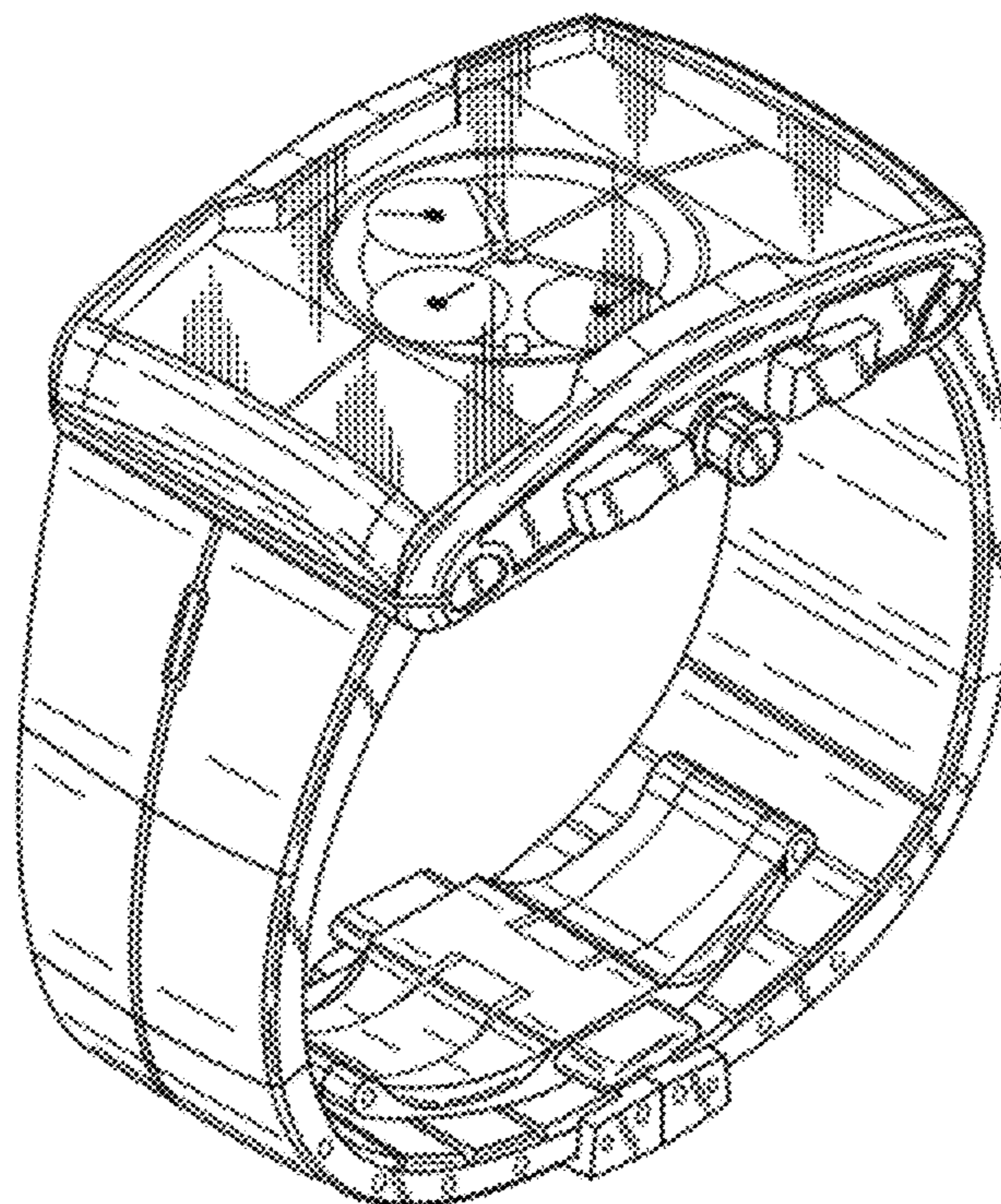


Fig. 1

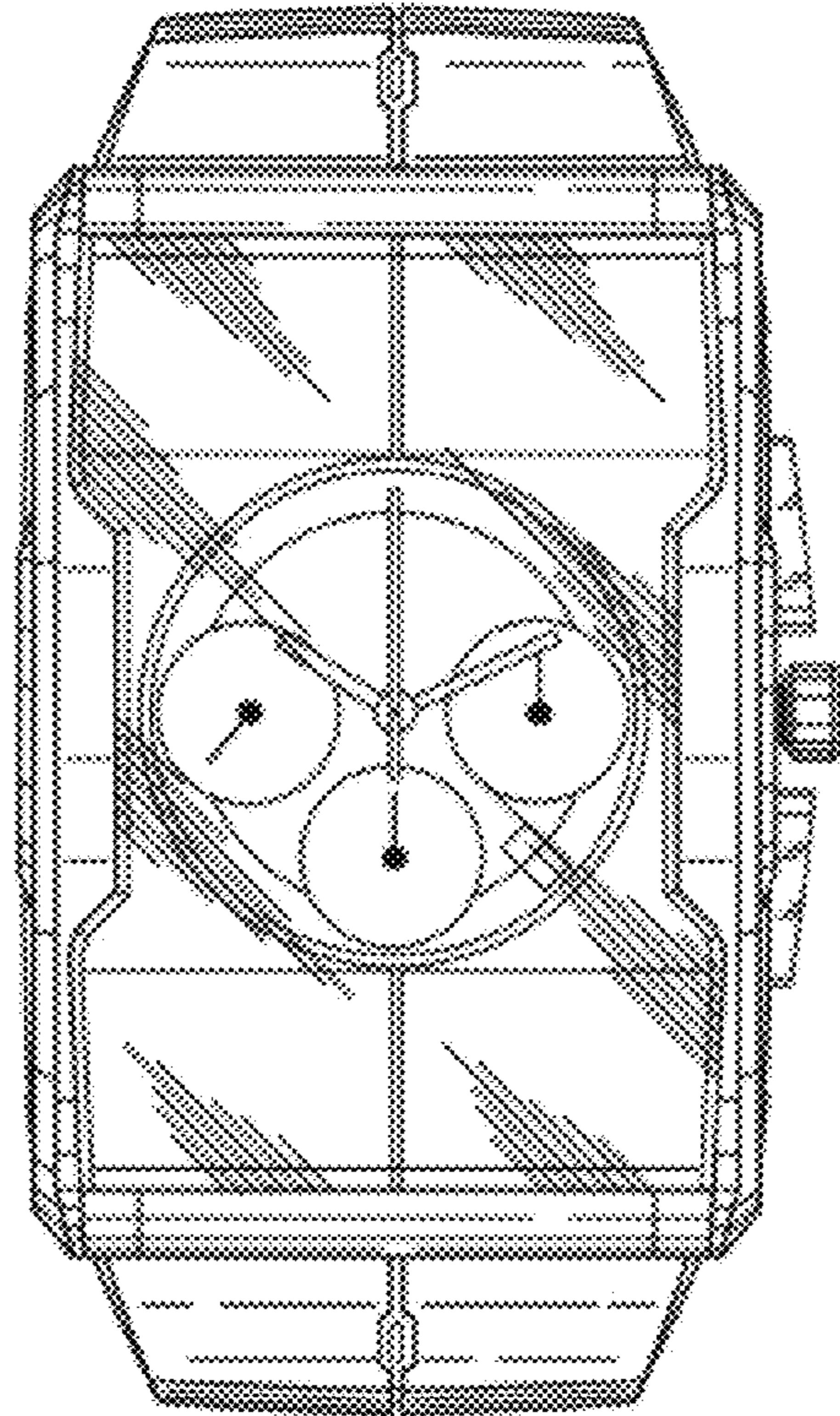


Fig. 2

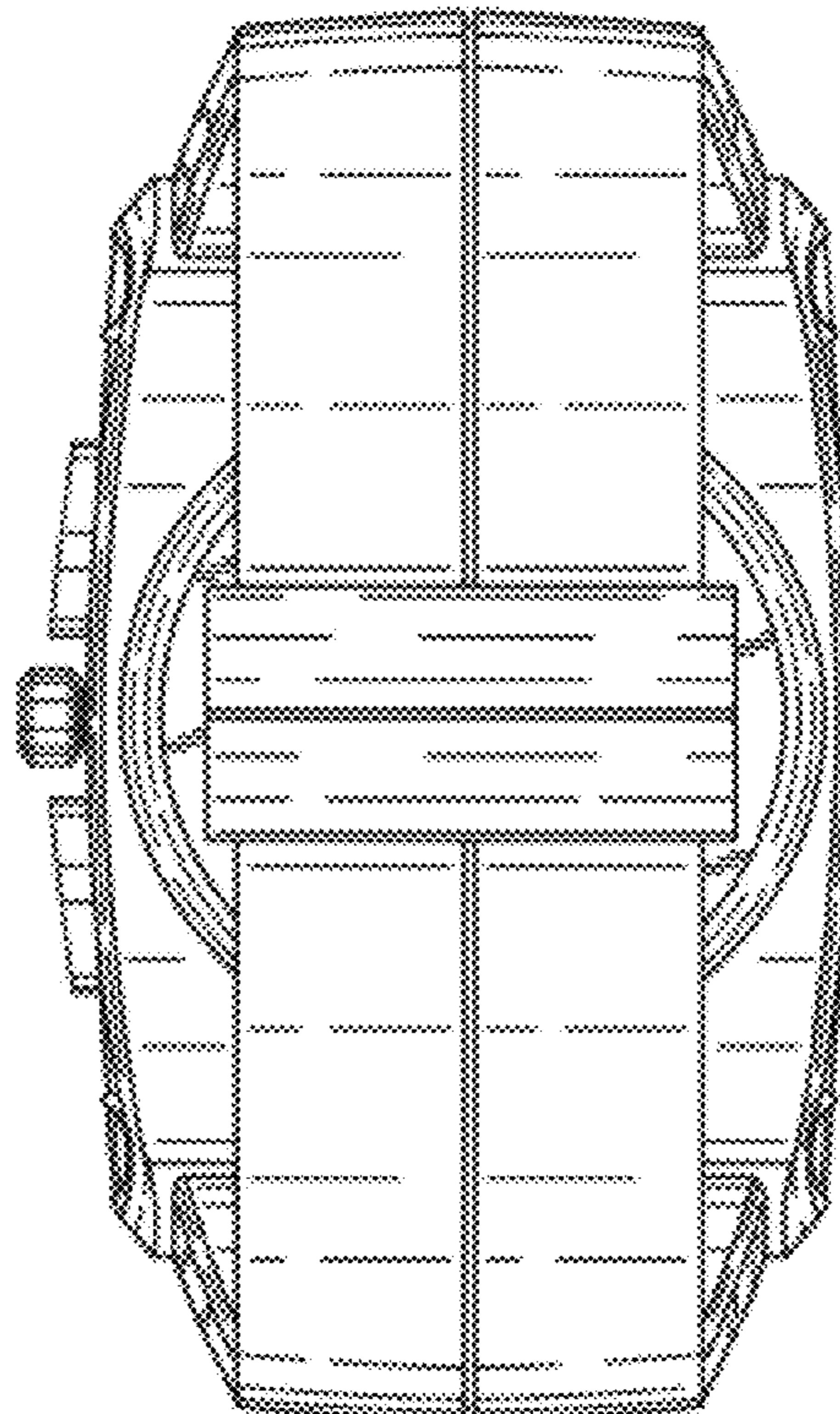


Fig. 3

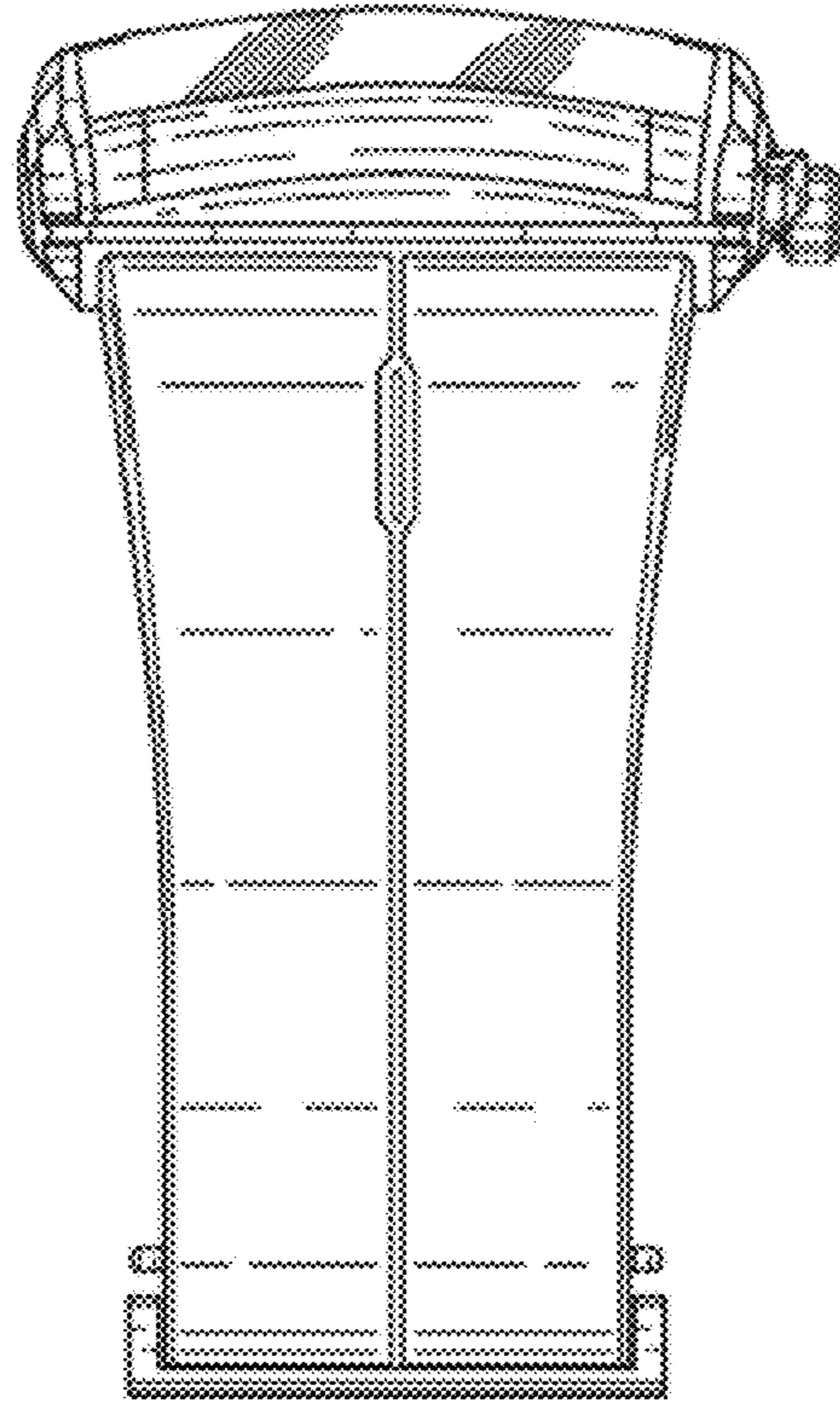


Fig. 4

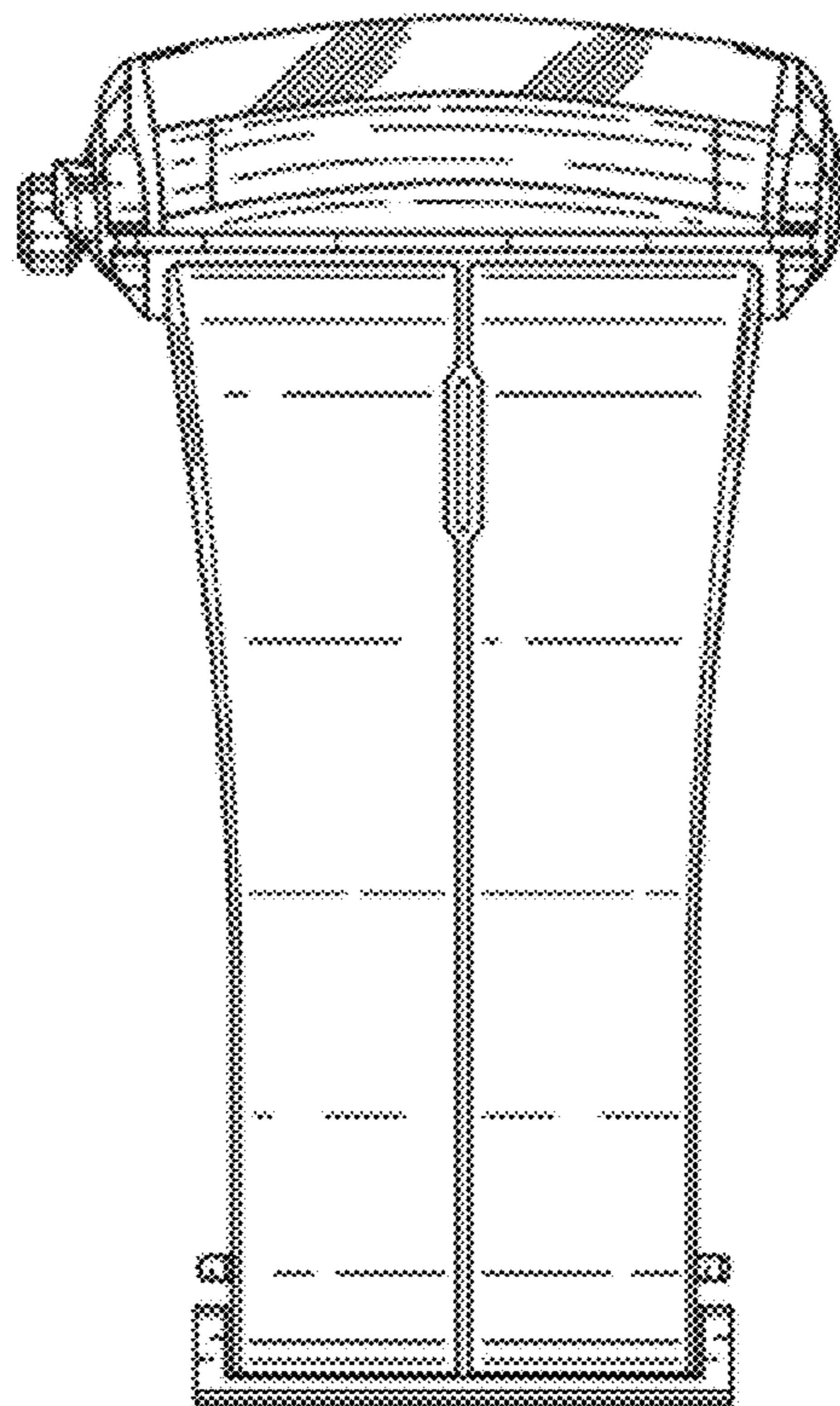


Fig. 5

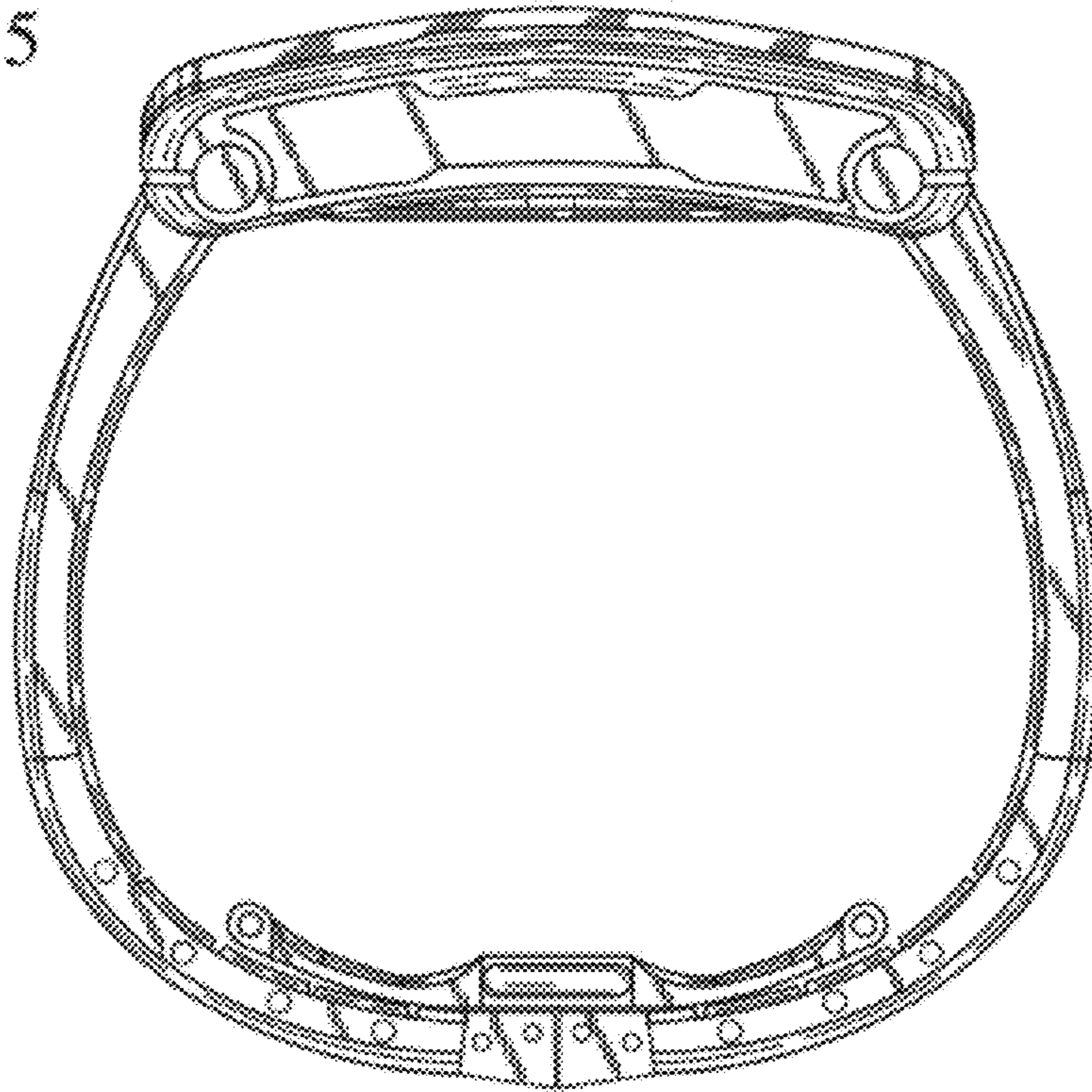


Fig. 6

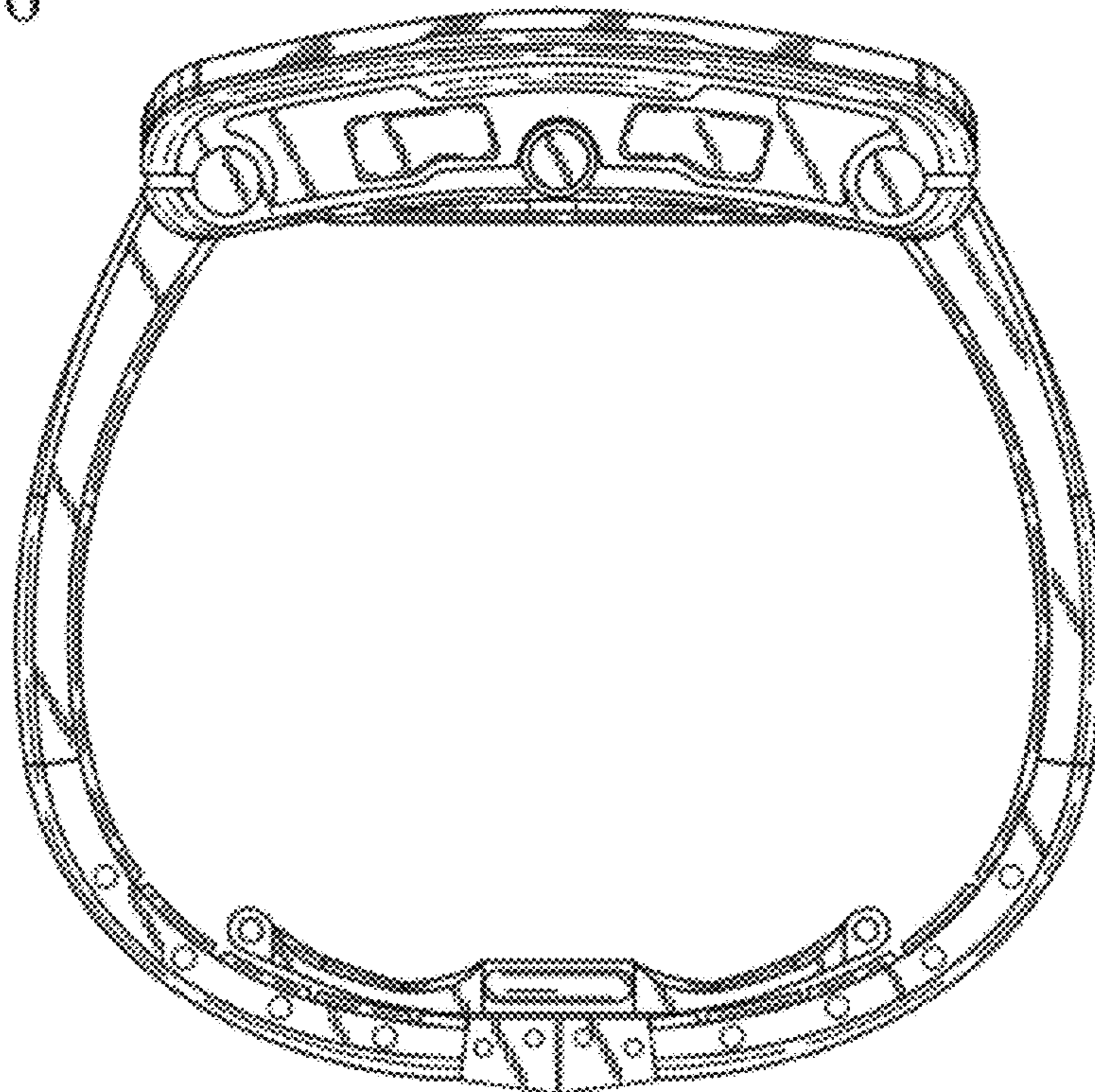


Fig. 7

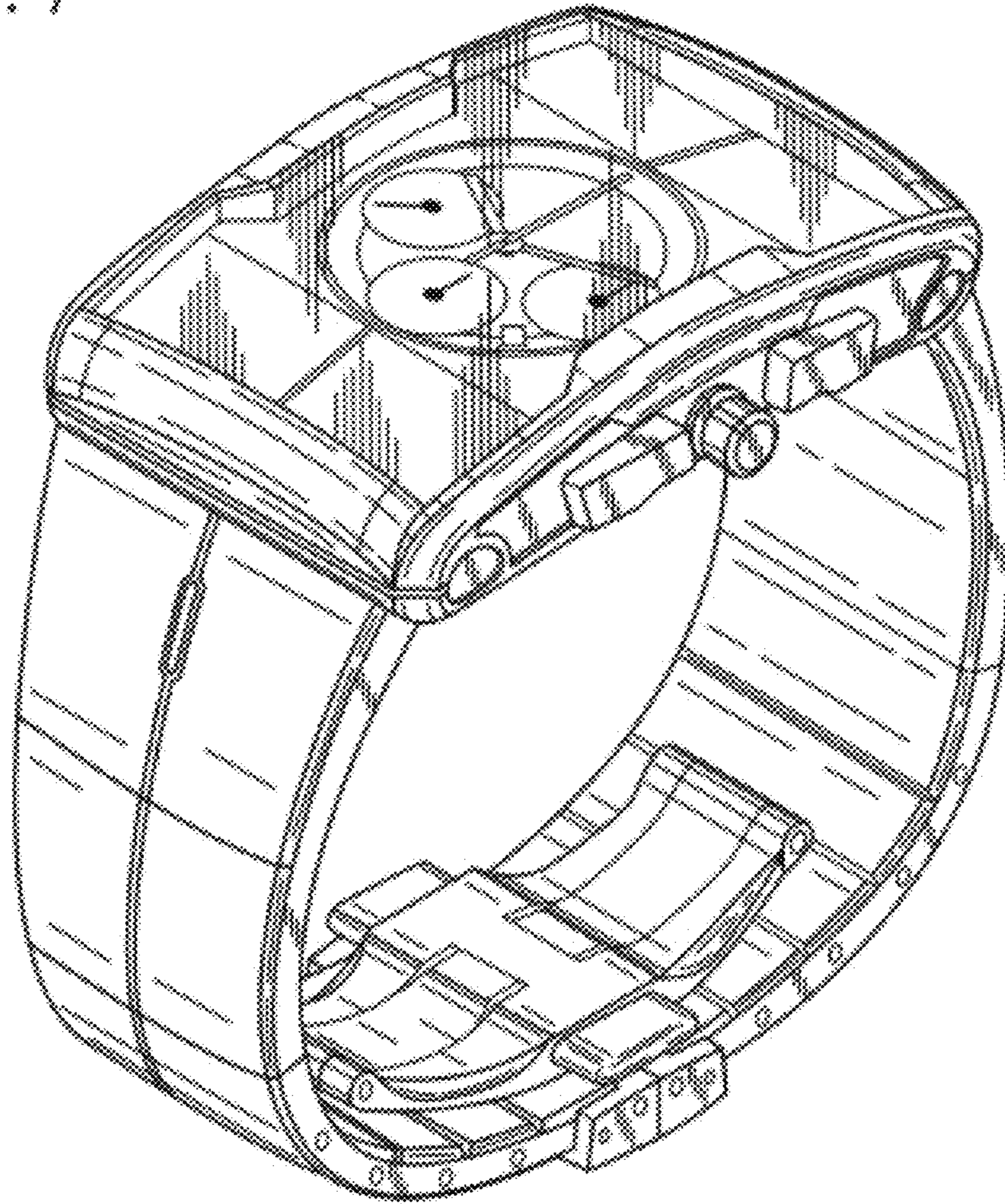


Fig. 8

