



US00D673863S

(12) **United States Design Patent**  
**Carter et al.**

(10) **Patent No.:** **US D673,863 S**  
(45) **Date of Patent:** **\*\* Jan. 8, 2013**

(54) **PACKAGING SLEEVE FOR A BIRD FEEDER**

(75) Inventors: **James Carter**, Denver, CO (US); **Reena Carter**, Denver, CO (US); **Robert Donegan**, Sedalia, CO (US)

(73) Assignee: **Classic Brands, LLC**, Denver, CO (US)

(\*\*) Term: **14 Years**

(21) Appl. No.: **29/382,074**

(22) Filed: **Dec. 29, 2010**

(51) **LOC (9) Cl.** ..... **09-05**

(52) **U.S. Cl.** ..... **D9/711**

(58) **Field of Classification Search** ..... D9/414,  
D9/499, 418, 428, 424, 430, 432, 501, 519,  
D9/549, 702, 711, 517-518, 522, 444; 229/87.01,  
229/87.02, 87.05, 68.1, 4.5, 5.5, 117.26,  
229/103.2, 121; 406/106; 206/223, 499,  
206/32, 407, 418-420; 211/113; D23/266;  
D25/122; D2/858; D30/124-128, 133, 199;  
119/82.2, 57.8, 61.1, 531, 428-435, 464,  
119/465, 468, 475

See application file for complete search history.

(56) **References Cited**

**U.S. PATENT DOCUMENTS**

4,955,319	A *	9/1990	Brucker	.....	119/52.2
D374,174	S *	10/1996	McClellan	.....	D9/711
D386,835	S *	11/1997	Passamare	.....	D30/124
D464,875	S *	10/2002	Koppang	.....	D9/711
7,418,923	B1 *	9/2008	Banyas et al.	.....	119/57.9
D624,830	S *	10/2010	Sikorski	.....	D9/711
7,930,995	B2 *	4/2011	Vosbikian	.....	119/57.8

D643,746	S *	8/2011	Yoe et al.	.....	D9/711
D649,301	S *	11/2011	Fink	.....	D30/127
D649,302	S *	11/2011	Hickok	.....	D30/127
D650,292	S *	12/2011	Lai et al.	.....	D9/711

\* cited by examiner

*Primary Examiner* — Caron D Veynar

*Assistant Examiner* — Abraham Bahta

(74) *Attorney, Agent, or Firm* — Polsinelli Shughart PC

(57) **CLAIM**

The ornamental design for a packaging sleeve for a bird feeder, as shown and described.

**DESCRIPTION**

FIG. 1 is a front perspective view of a packaging sleeve for a bird feeder showing our new design with the bird feeder being shown in broken lines;

FIG. 2 is a front perspective view of the packaging sleeve shown separately for ease of illustration;

FIG. 3 is a front view of FIG. 2 showing the cylindrical main portion of the packaging sleeve;

FIG. 4 is a back view of the cylindrical main portion of the packaging sleeve shown in FIG. 3;

FIG. 5 is a right side view of the main cylindrical portion of the packaging sleeve;

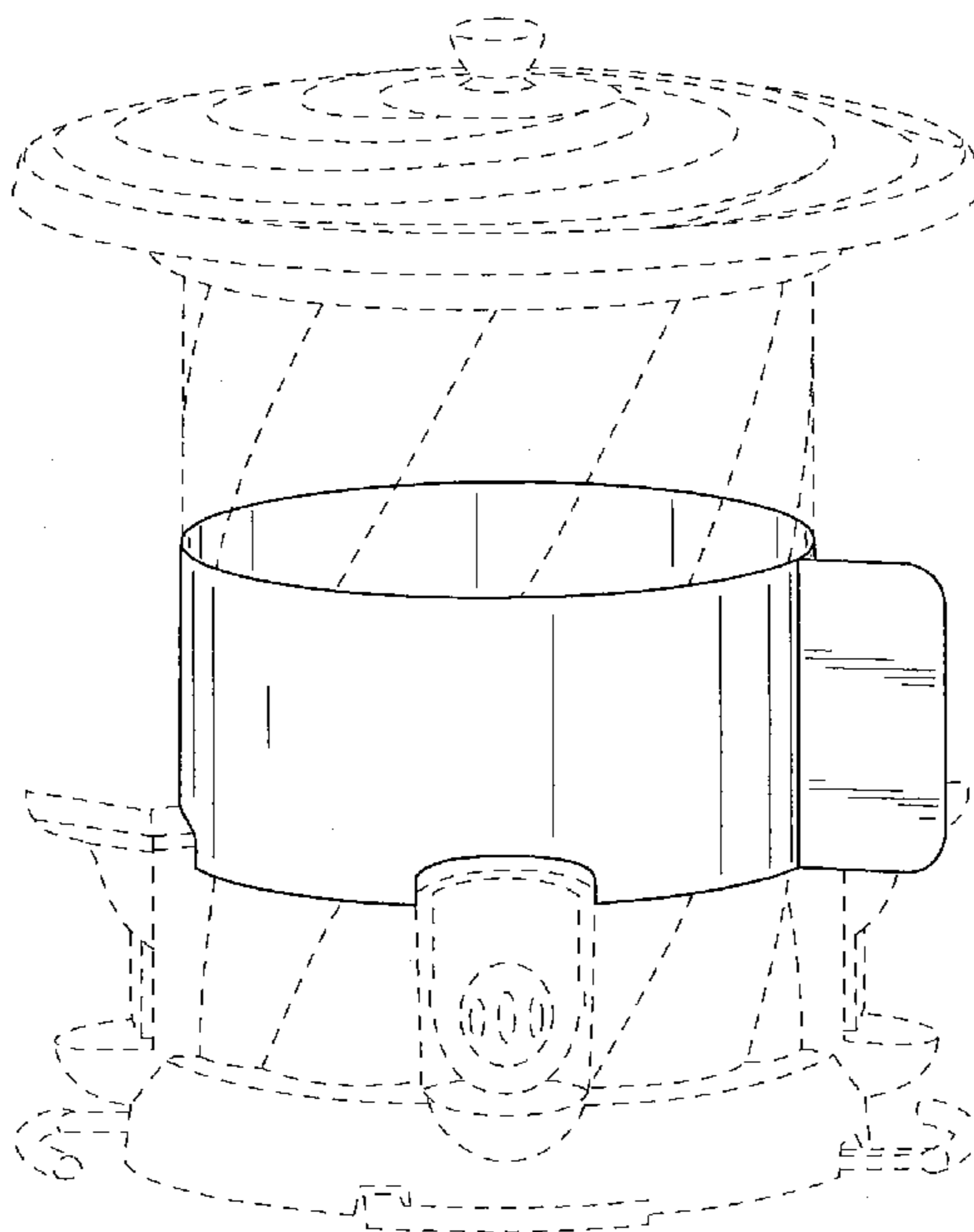
FIG. 6 is a left side view thereof showing an overlapping seam in the main cylindrical portion;

FIG. 7 is a top perspective view thereof; and,

FIG. 8 is a bottom perspective view thereof.

The broken lines showing the bird feeder is included for the purpose of illustrating environmental structure and form no part of the claimed design.

**1 Claim, 7 Drawing Sheets**



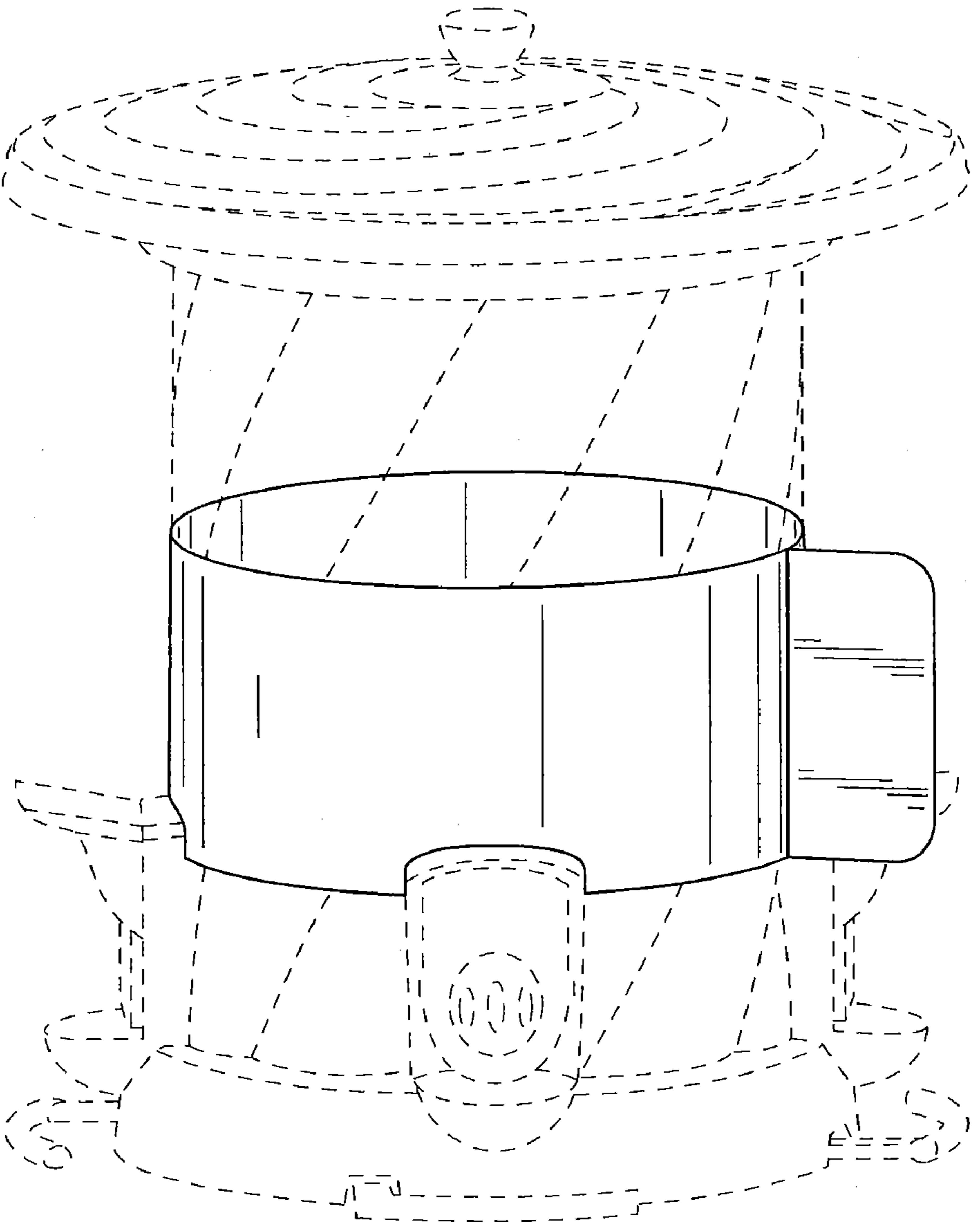


FIG.1

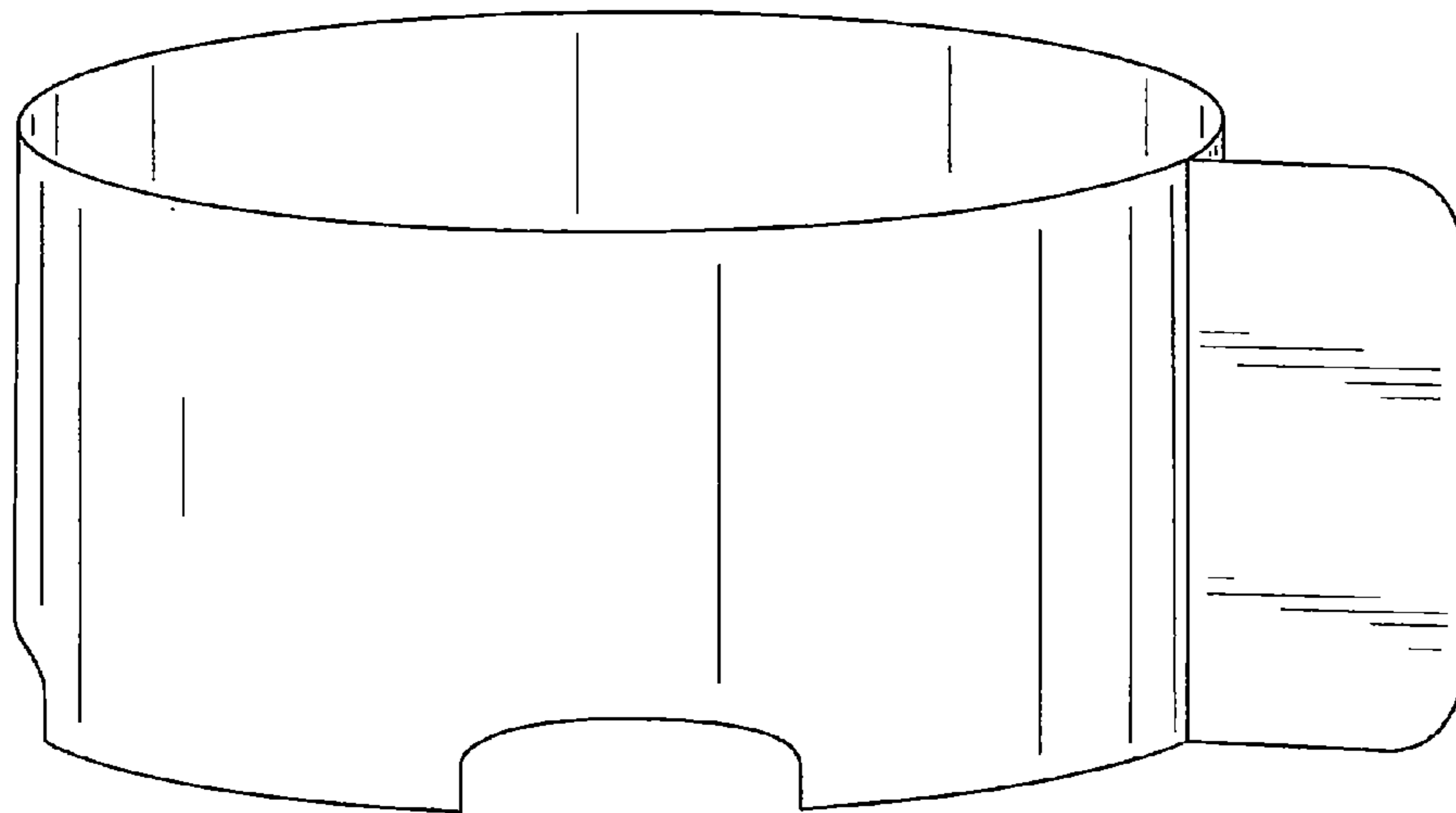


FIG. 2

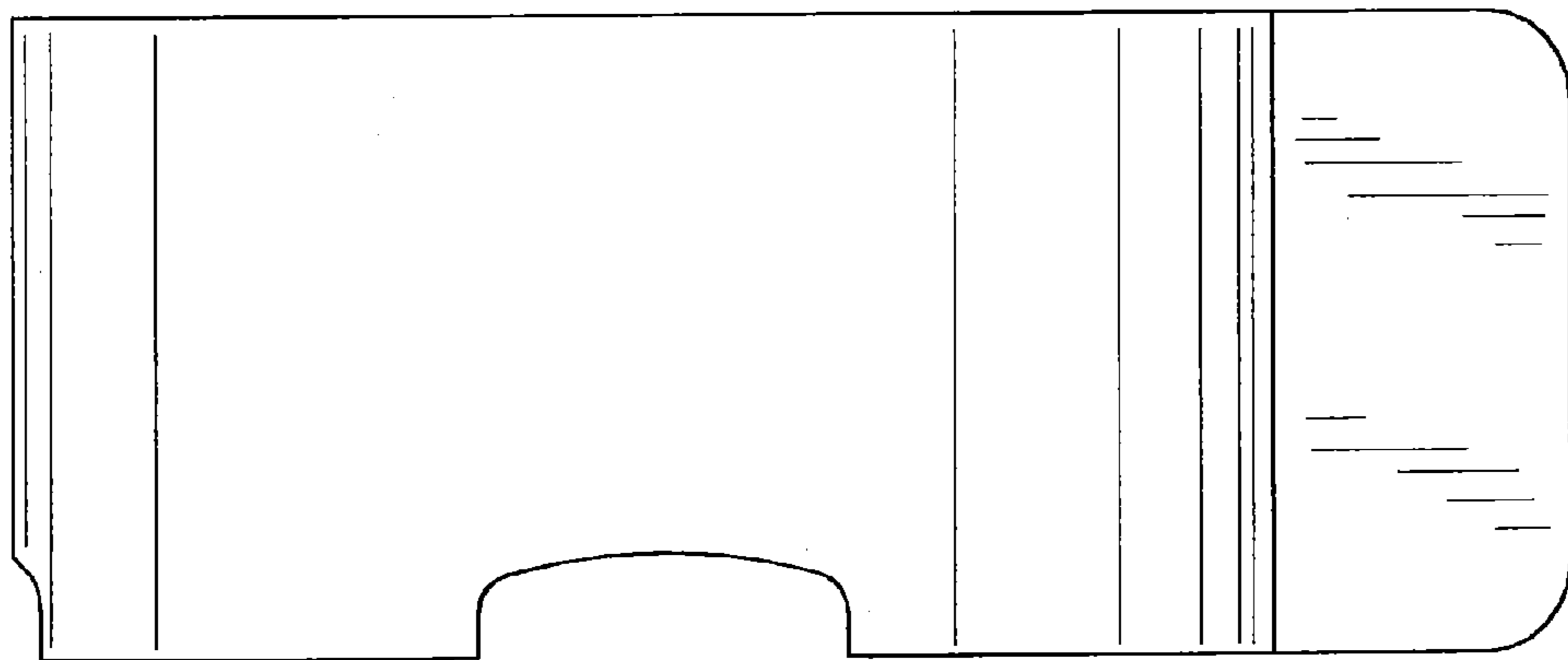


FIG.3

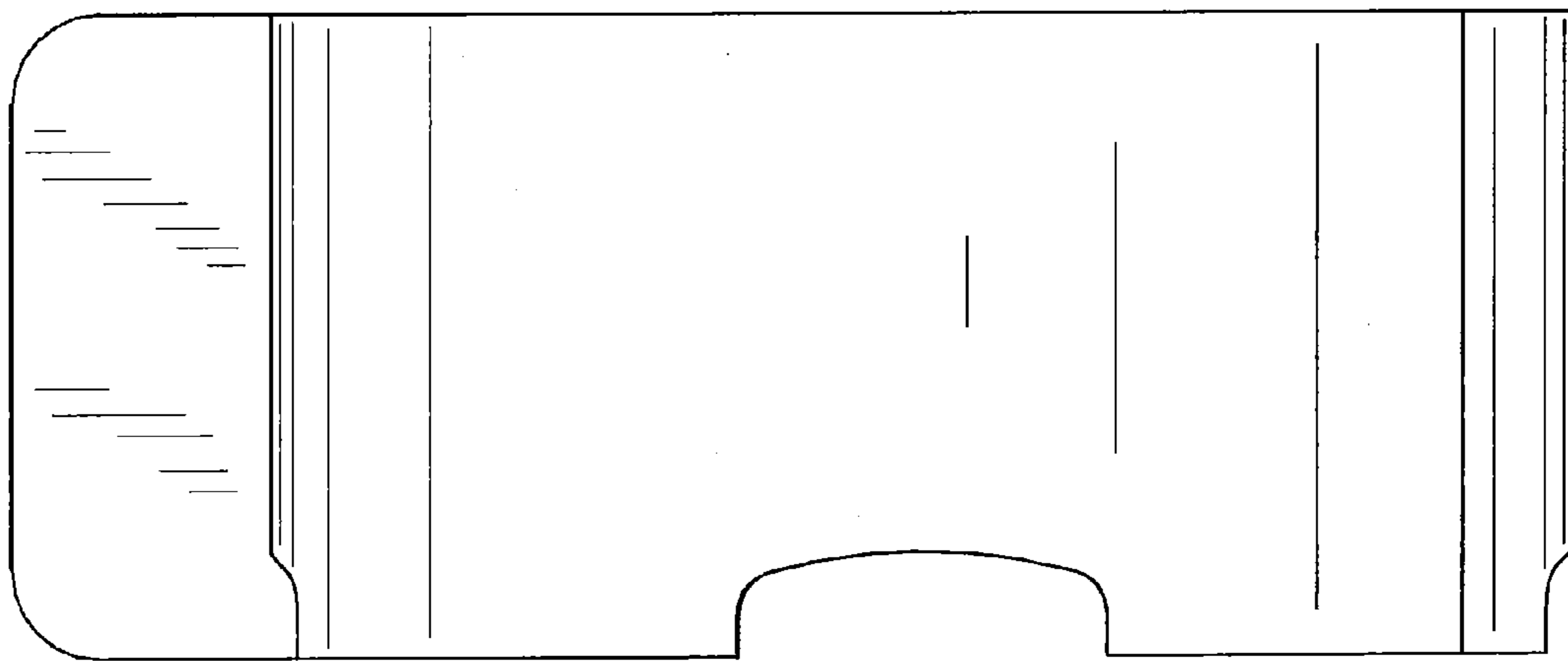


FIG.4

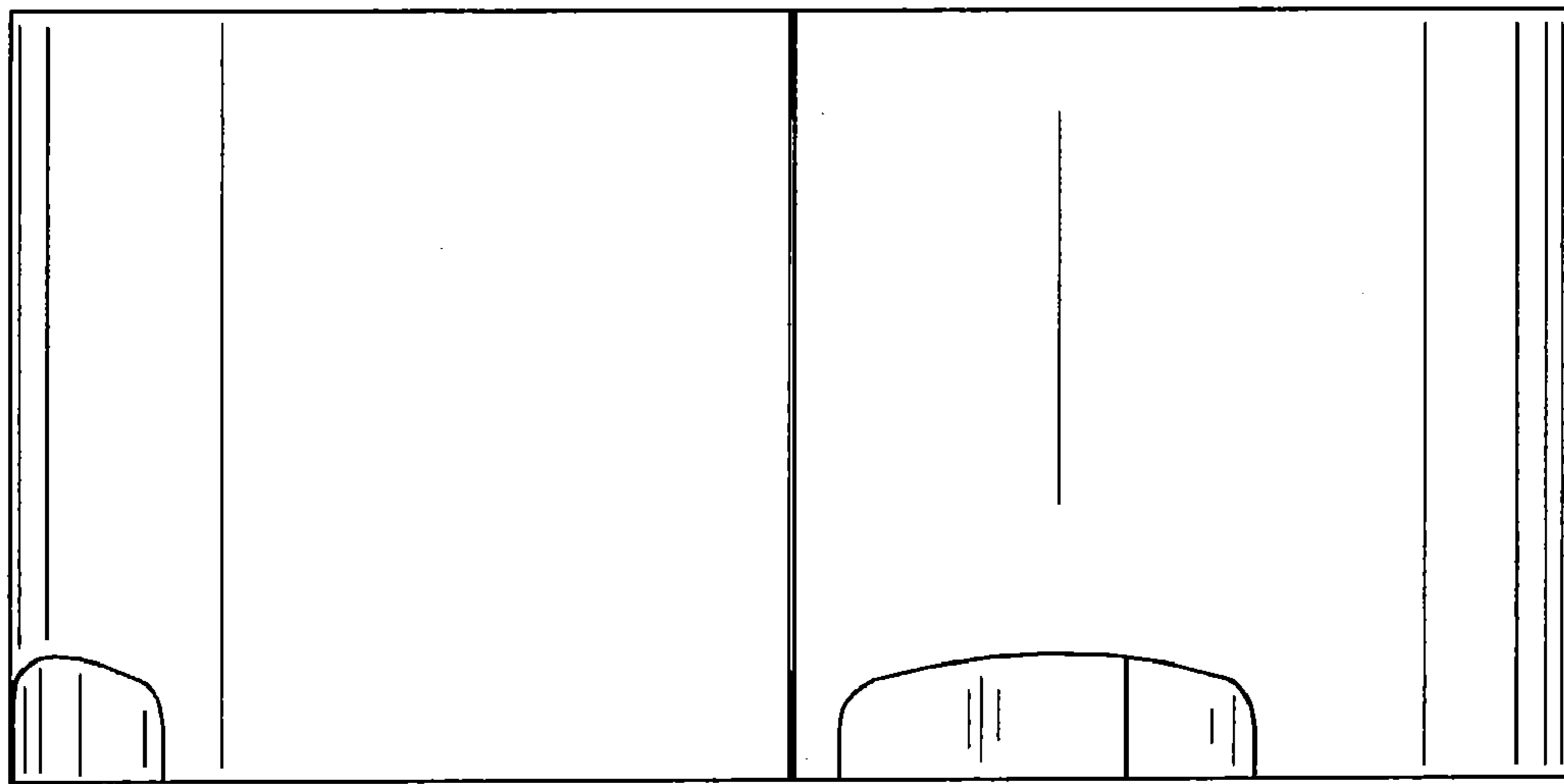


FIG.5

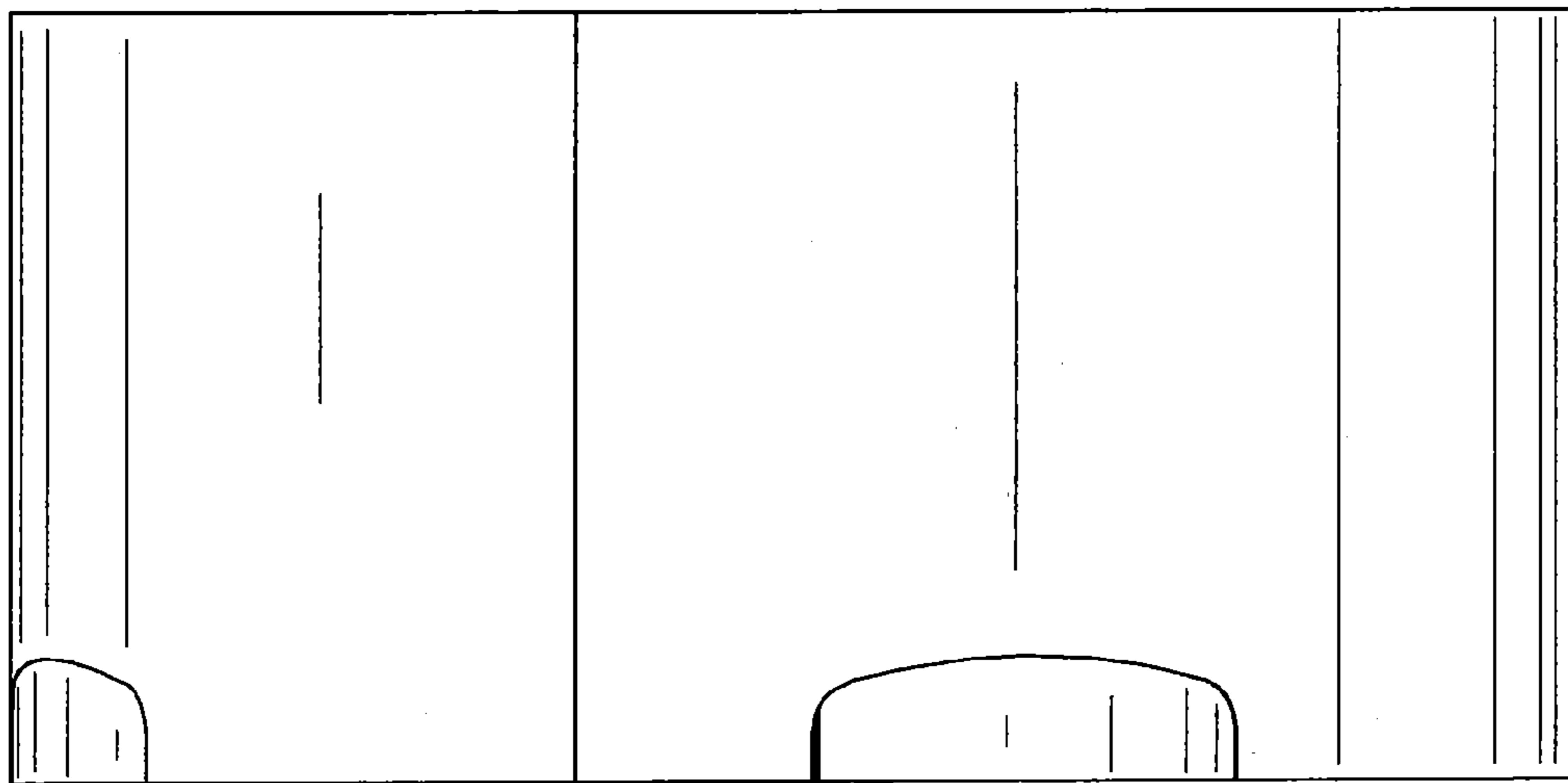


FIG.6

FIG.7

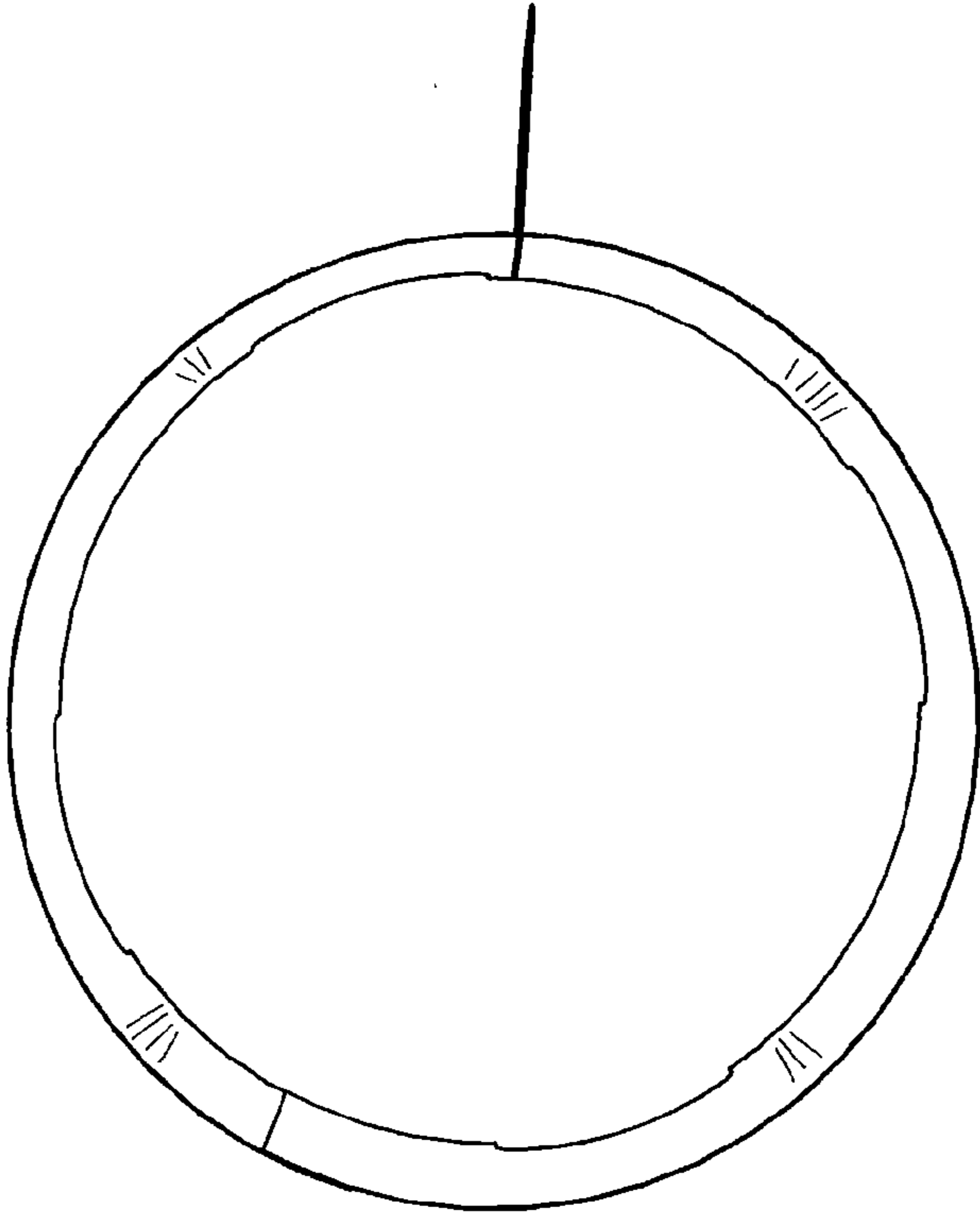


FIG.8

