



US00D673857S

(12) **United States Design Patent**
Kopulos et al.

(10) **Patent No.:** **US D673,857 S**
(45) **Date of Patent:** **** Jan. 8, 2013**

(54) **CONTAINER**

(75) Inventors: **Christopher Robert Kopulos**,
Cincinnati, OH (US); **Brian David**
Andres, Harrison, OH (US)

(73) Assignee: **The Procter & Gamble Company**,
Cincinnati, OH (US)

(**) Term: **14 Years**

(21) Appl. No.: **29/404,251**

(22) Filed: **Oct. 18, 2011**

Related U.S. Application Data

(62) Division of application No. 29/354,855, filed on Jan. 29, 2010, now Pat. No. Des. 656,402.

(51) **LOC (9) Cl.** **09-01**

(52) **U.S. Cl.** **D9/543; D9/563; D9/564; D9/575**

(58) **Field of Classification Search** D9/516,
D9/529, 530, 537-546, 550-551, 563-564,
D9/574-575, 535; D7/602, 612, 703, 705;
D30/101-104; 220/660, 669-670, 675;
215/381-385

See application file for complete search history.

(56) **References Cited**

U.S. PATENT DOCUMENTS

D49,292 S *	6/1916	West	D30/101
D49,555 S *	8/1916	Vivaudou	D9/504
D73,643 S *	10/1927	Crimmel	D9/569
3,231,155 A *	1/1966	McConnell	222/482
D254,714 S	4/1980	Mascia et al.		
D254,716 S	4/1980	Mascia et al.		
D259,292 S *	5/1981	Conrad	D30/101
D281,673 S	12/1985	Lampe		
D295,090 S *	4/1988	Sheridan	D30/101
D306,406 S	3/1990	Pierce et al.		
D319,581 S	9/1991	Halm		
D319,583 S	9/1991	Halm et al.		
D370,834 S	6/1996	Hartman		
D389,067 S *	1/1998	Lown	D9/543
D462,270 S	9/2002	Renz		

D473,142 S	4/2003	Beaver		
D475,288 S	6/2003	Hoffmann et al.		
D480,974 S *	10/2003	Blank	D9/543
D507,184 S	7/2005	Beaver et al.		
D509,438 S *	9/2005	Woerz	D9/563

(Continued)

FOREIGN PATENT DOCUMENTS

CA 101564 3/2004

(Continued)

OTHER PUBLICATIONS

U.S. Appl. No. 29/341,567, filed Aug. 7, 2009, Chris Van den Wouwer et al.

(Continued)

Primary Examiner — Carol P Rademaker

(74) *Attorney, Agent, or Firm* — Melissa G. Krasovec;
Steven W. Miller

(57) **CLAIM**

The ornamental design for a container, as shown and described.

DESCRIPTION

FIG. 1 is a top, front, right side perspective view of a container embodying our new design;

FIG. 2 is a top, back, left side perspective view thereof;

FIG. 3 is a front elevational view thereof;

FIG. 4 is a back elevational view thereof;

FIG. 5 is a left side elevational view thereof;

FIG. 6 is a right side elevational view thereof;

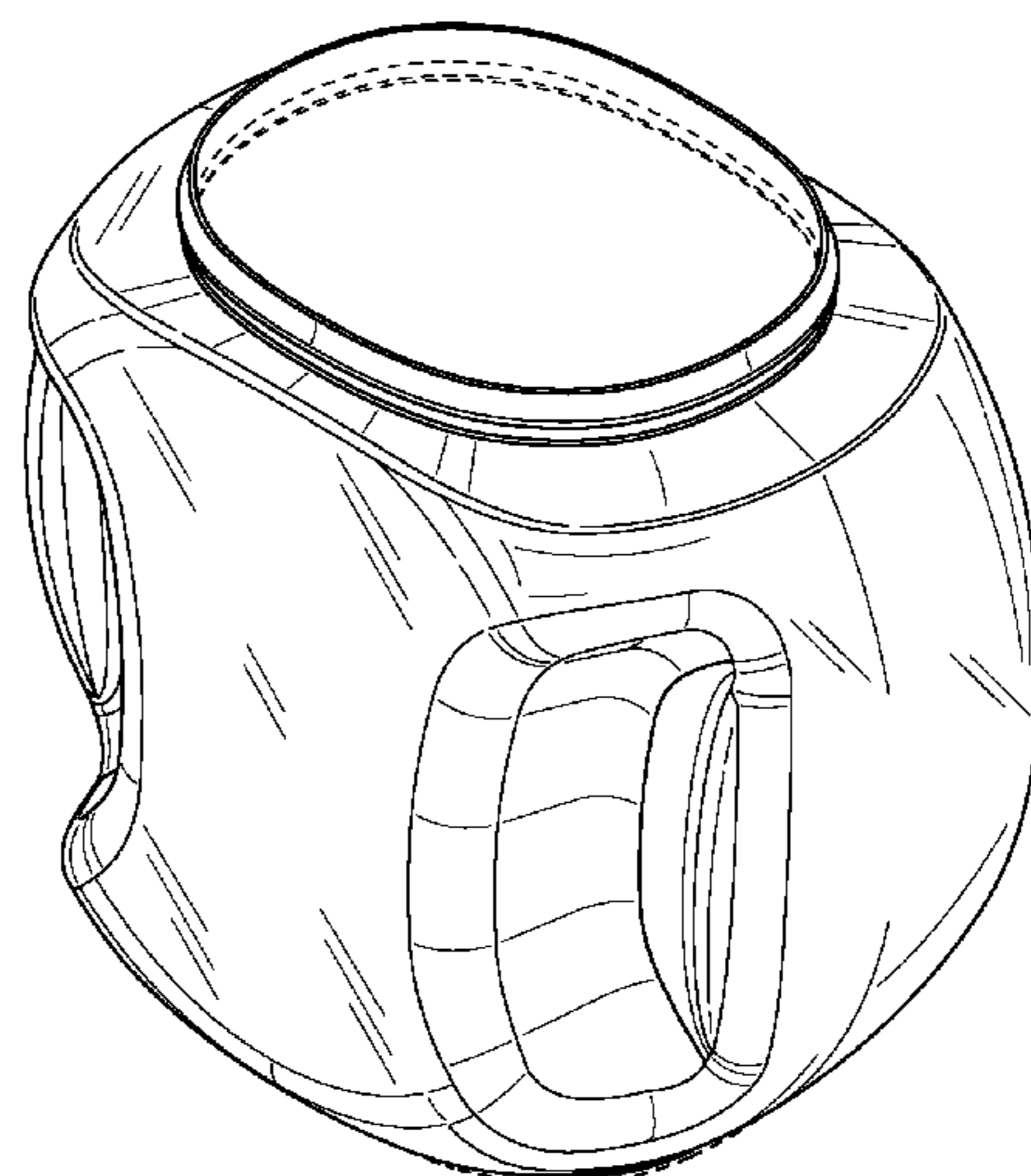
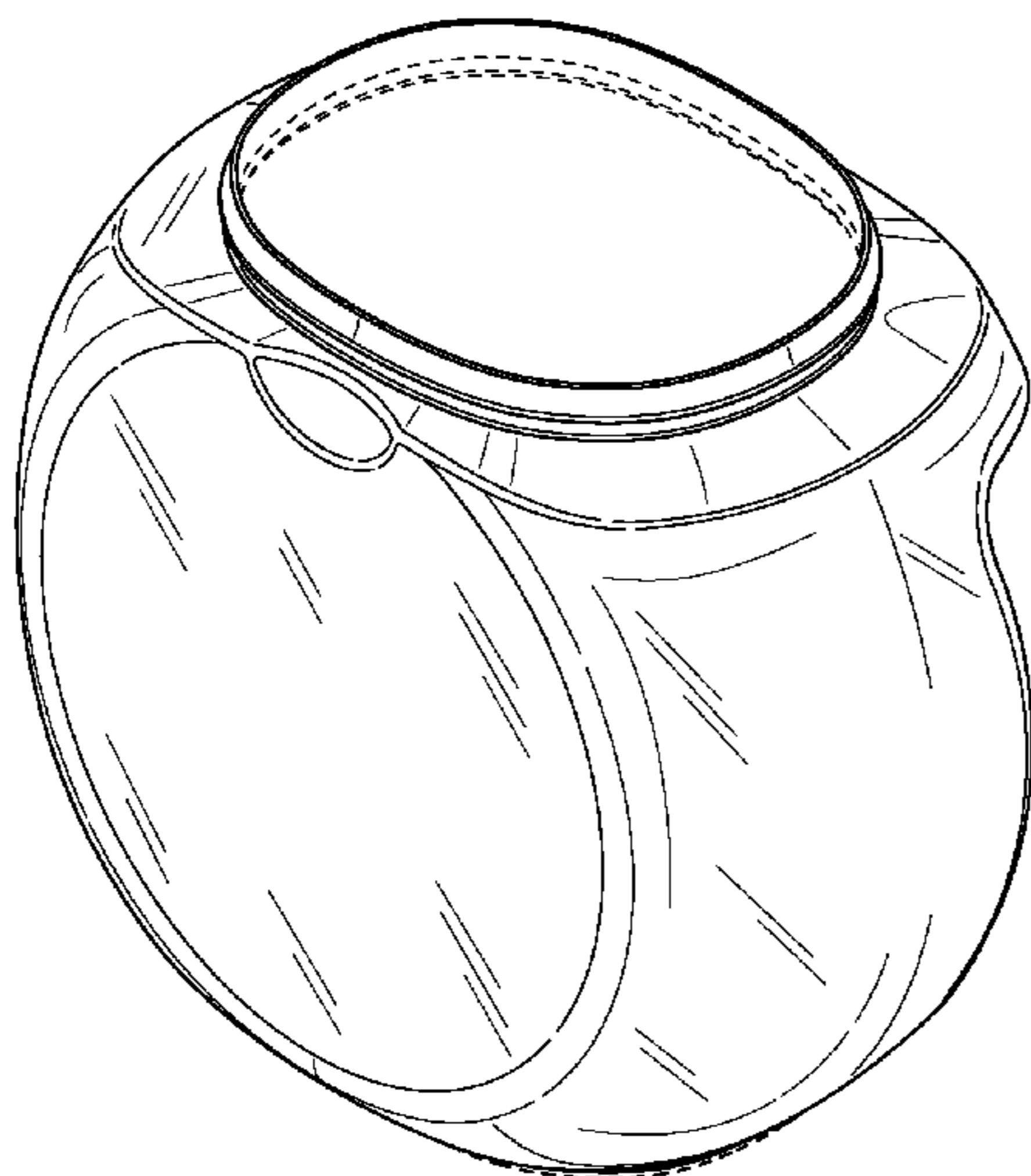
FIG. 7 is a top plan view thereof; and,

FIG. 8 is a bottom plan view thereof.

The oblique shade lines shown in the drawings represent a reflective or polished surface.

The broken lines shown in the drawing views are included for the purpose of illustrating environmental structure and form no part of the claimed design.

1 Claim, 4 Drawing Sheets



US D673,857 S

Page 2

U.S. PATENT DOCUMENTS

D510,461 S * 10/2005 Vu D28/66
D541,662 S * 5/2007 Little et al. D9/543
D542,664 S * 5/2007 Mayers D9/529
D550,077 S 9/2007 Lagreca et al.
D559,116 S * 1/2008 Bates et al. D9/563
D560,488 S 1/2008 Rust et al.
D568,739 S 5/2008 Darr
D572,535 S 7/2008 El-Ghouyel et al.
D576,883 S 9/2008 Carapelli
D581,288 S 11/2008 Villalobos
D584,154 S 1/2009 Fitzsimmons et al.
D585,303 S 1/2009 Fitzsimmons et al.
D586,222 S 2/2009 Little et al.
D586,223 S 2/2009 Little et al.
D587,587 S * 3/2009 Schwartz et al. D9/529
D588,088 S 3/2009 Mitchell
D588,459 S * 3/2009 Davis et al. D9/551 X
D592,064 S 5/2009 Kilany
D601,899 S * 10/2009 Davis et al. D9/551 X
D604,168 S * 11/2009 El Ghouyel D9/563 X
D637,912 S * 5/2011 Van Den Wouwer
et al. D9/564 X
D644,102 S * 8/2011 Kopulos et al. D9/434

FOREIGN PATENT DOCUMENTS

CA 119729 2/2008
EM 001688128-0001 3/2010
EM 001688128-0002 3/2010
EM 001688128-0003 3/2010
EM 001688128-0004 3/2010
EM 001688128-0005 3/2010
EM 001688128-0006 3/2010
EM 001688128-0007 3/2010
EM 001688128-0008 3/2010

OTHER PUBLICATIONS

U.S. Appl. No. 29/354,867, filed Jan. 29, 2010, Kopulos et al.
U.S. Appl. No. 29/375,244, filed Sep. 20, 2010, Kopulos et al.
U.S. Appl. No. 29/375,263, filed Sep. 20, 2010, Kopulos et al.
U.S. Appl. No. 29/375,265, filed Sep. 20, 2010, Gonzalez, et al.
U.S. Appl. No. 29/375,274, filed Sep. 20, 2010, Gonzalez, et al.
U.S. Appl. No. 29/404,253, filed Oct. 18, 2011, Kopulos et al.
U.S. Appl. No. 29/404,255, filed Oct. 18, 2011, Kopulos et al.
U.S. Appl. No. 29/404,257, filed Oct. 18, 2011, Kopulos et al.

* cited by examiner

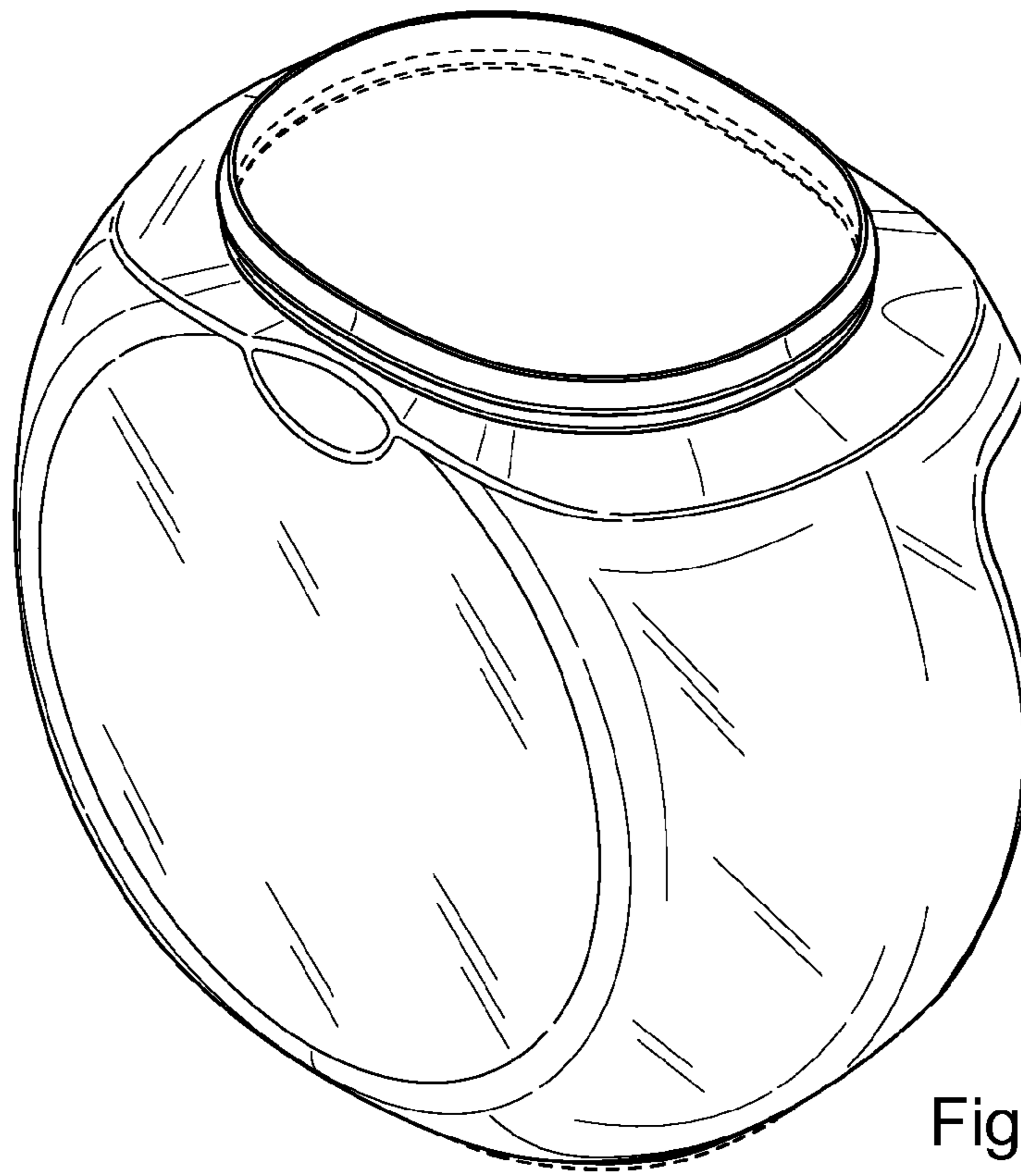


Fig. 1

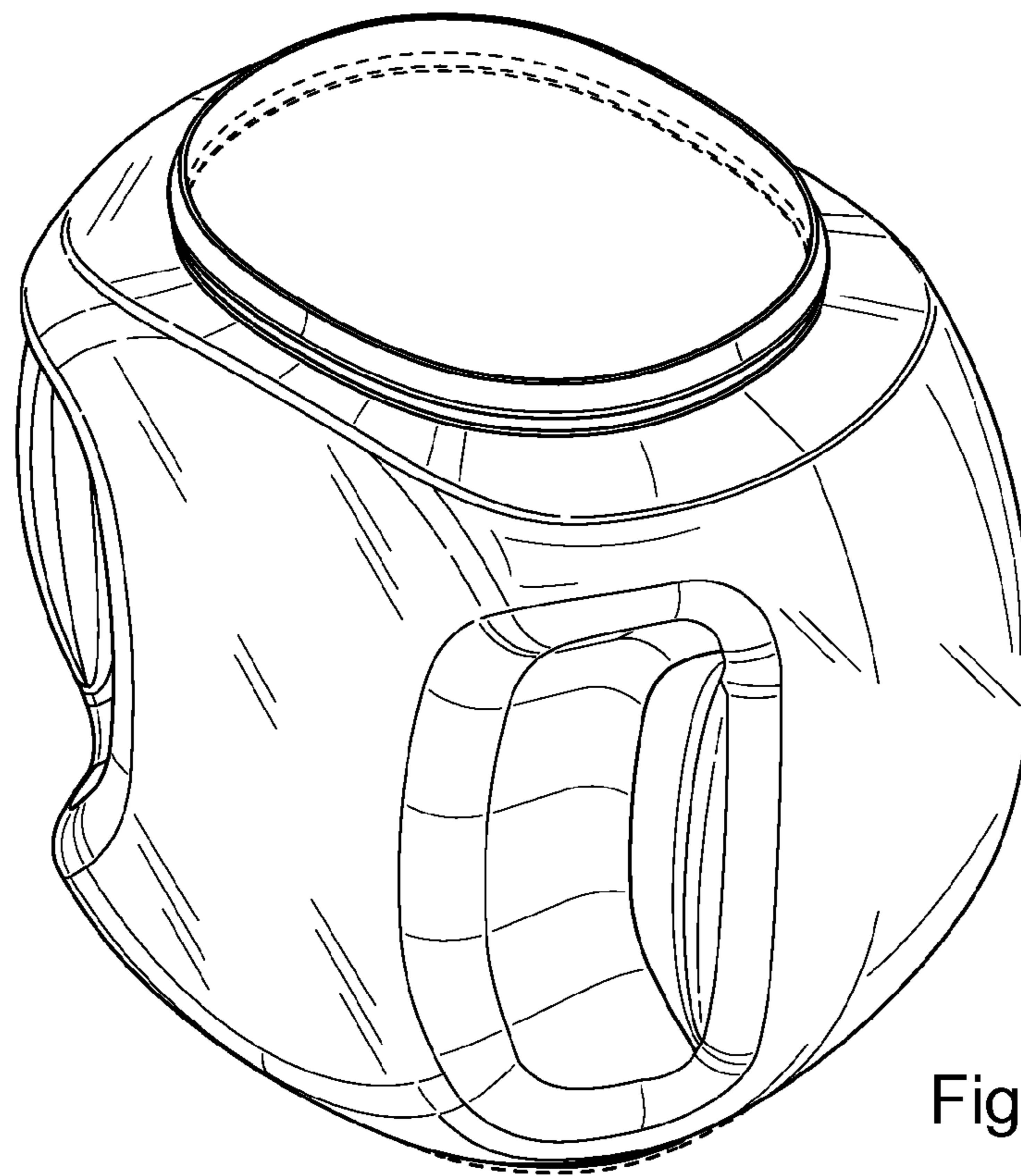


Fig. 2

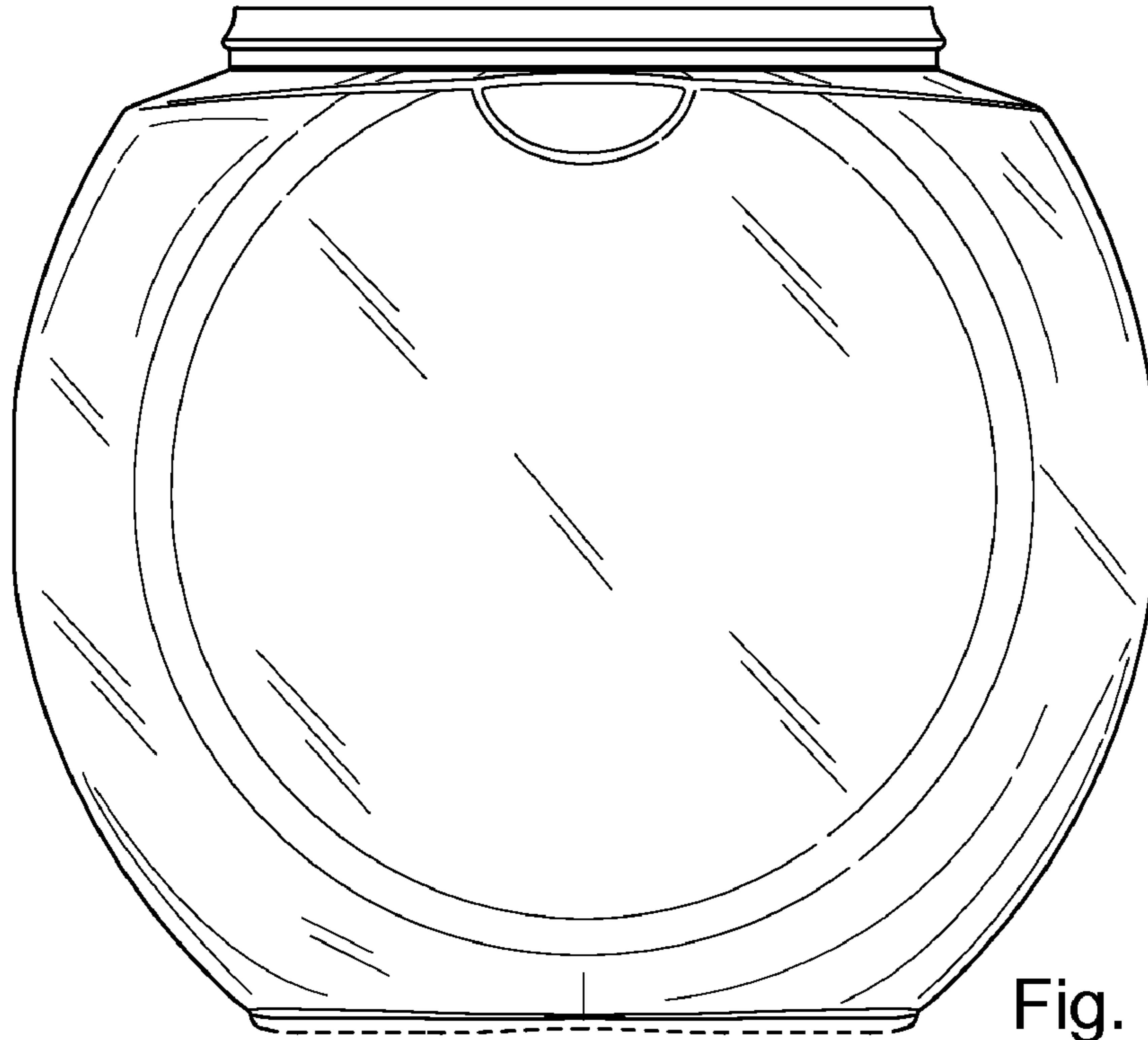


Fig. 3

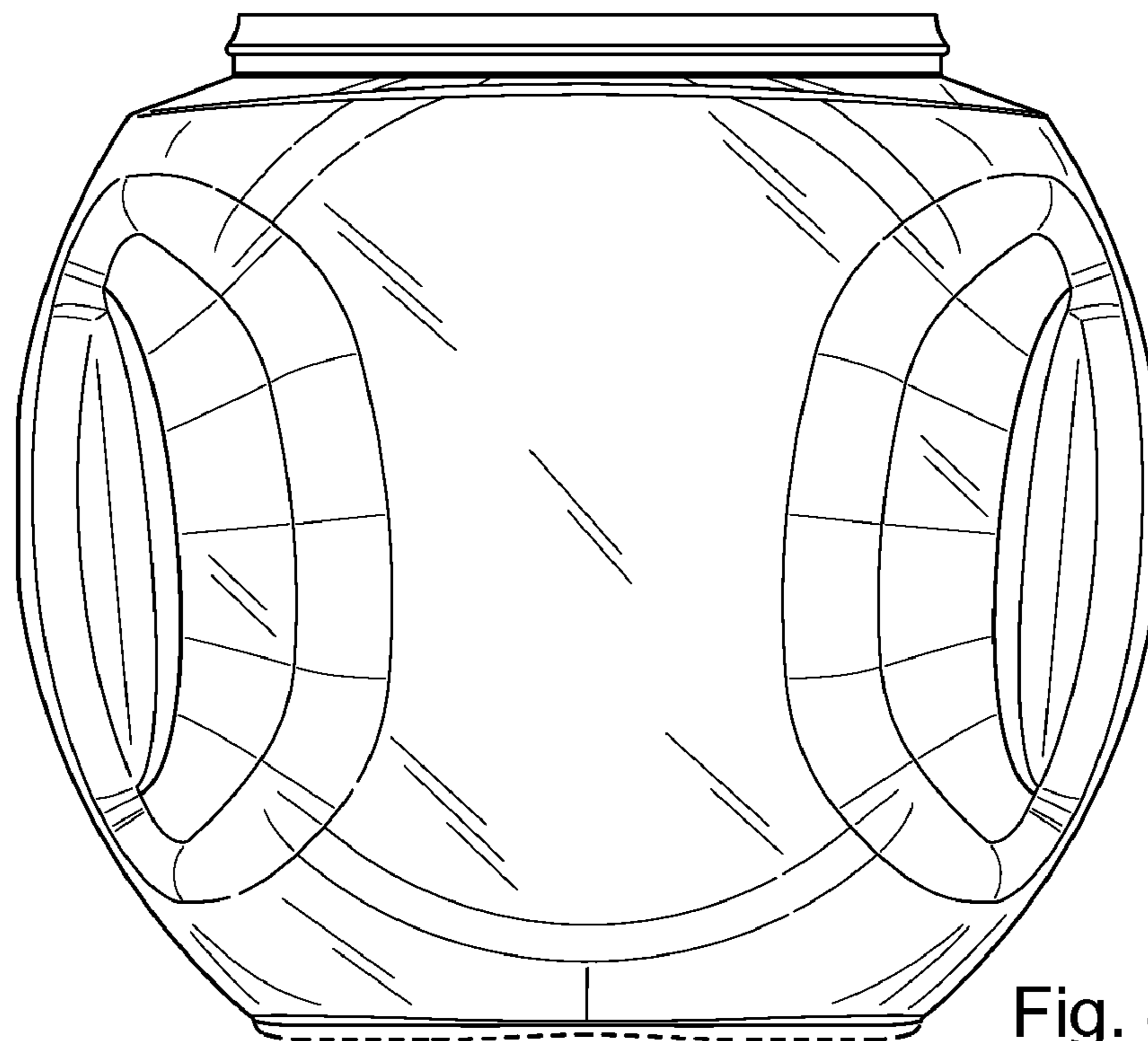


Fig. 4

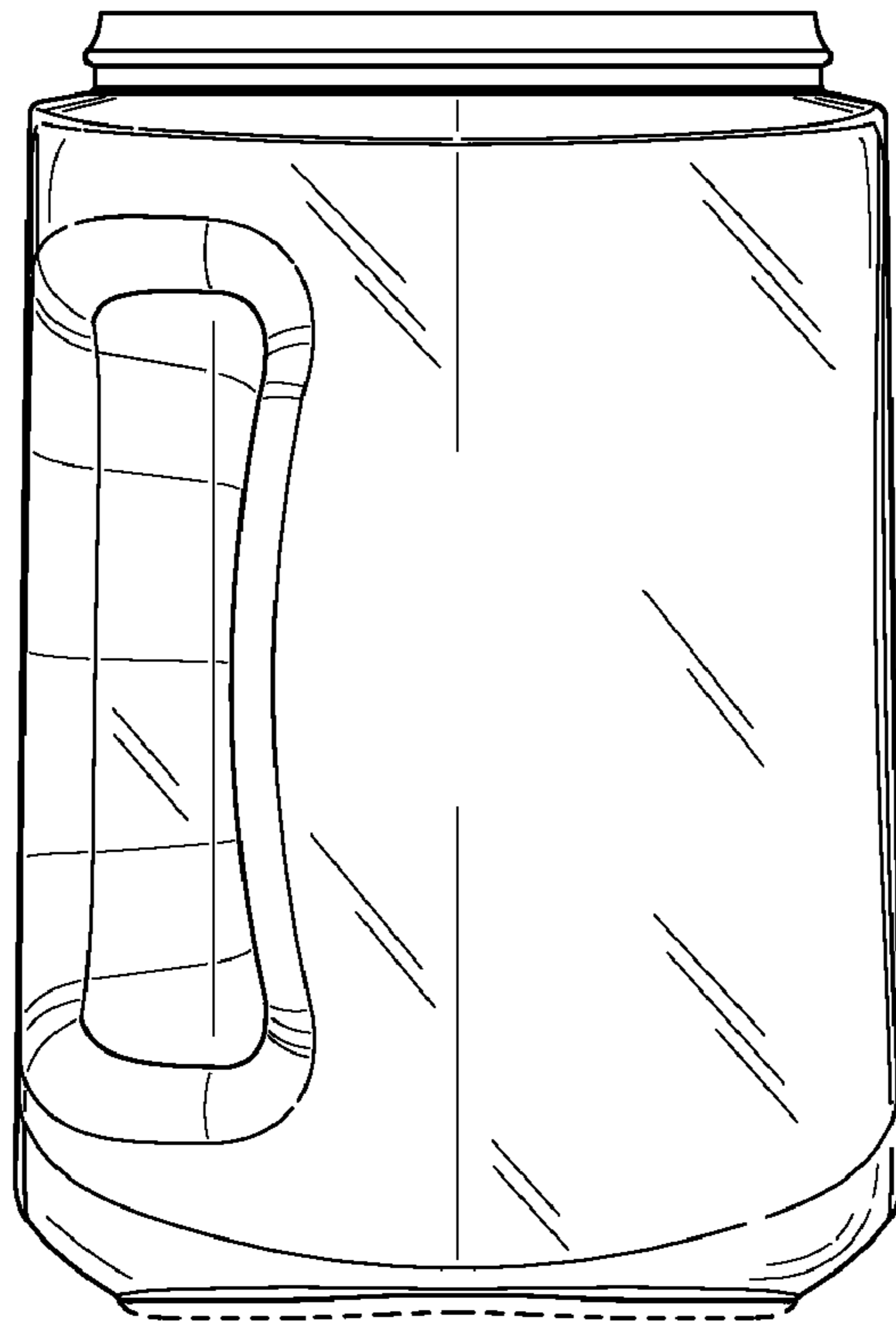


Fig. 5

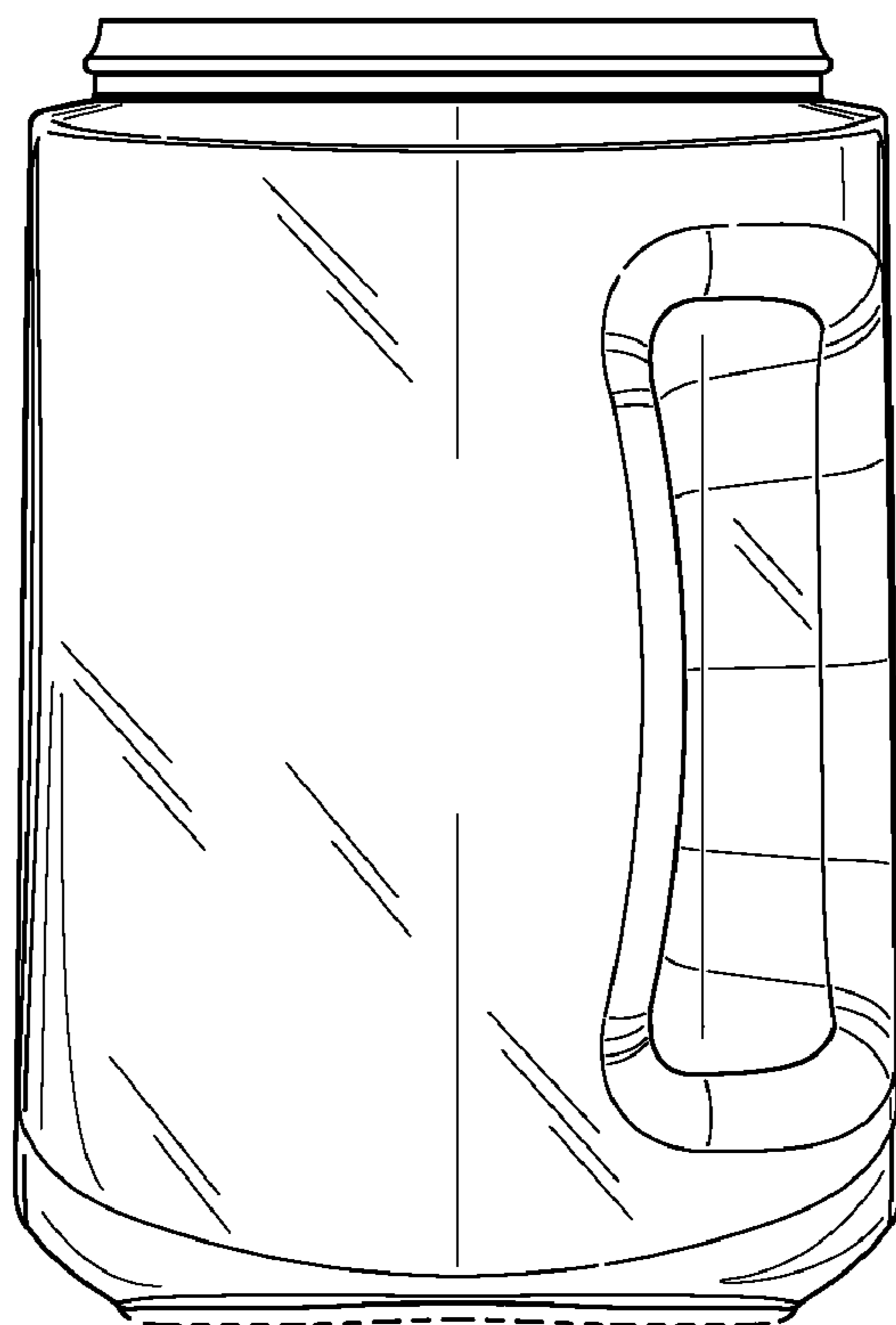


Fig. 6

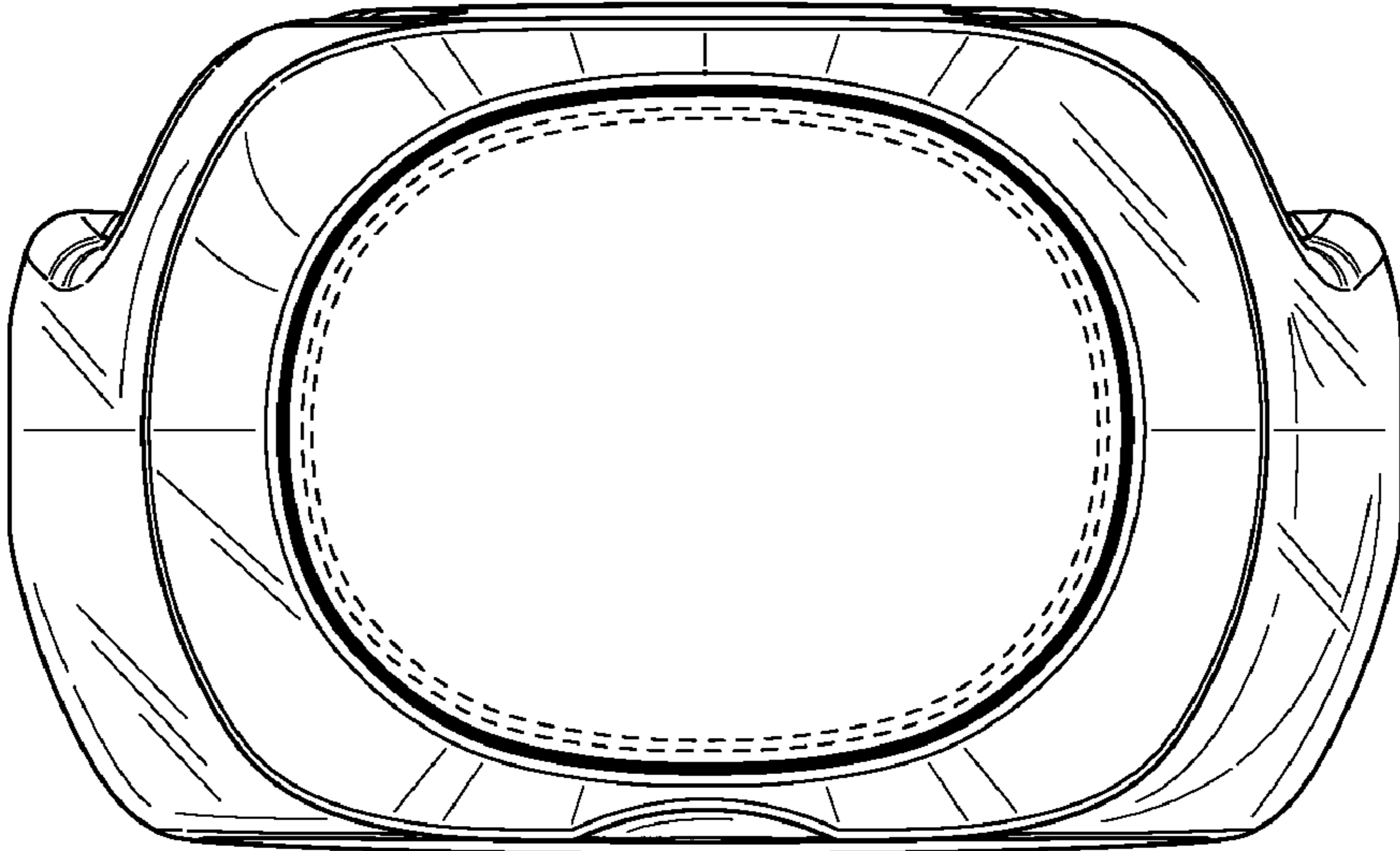


Fig. 7

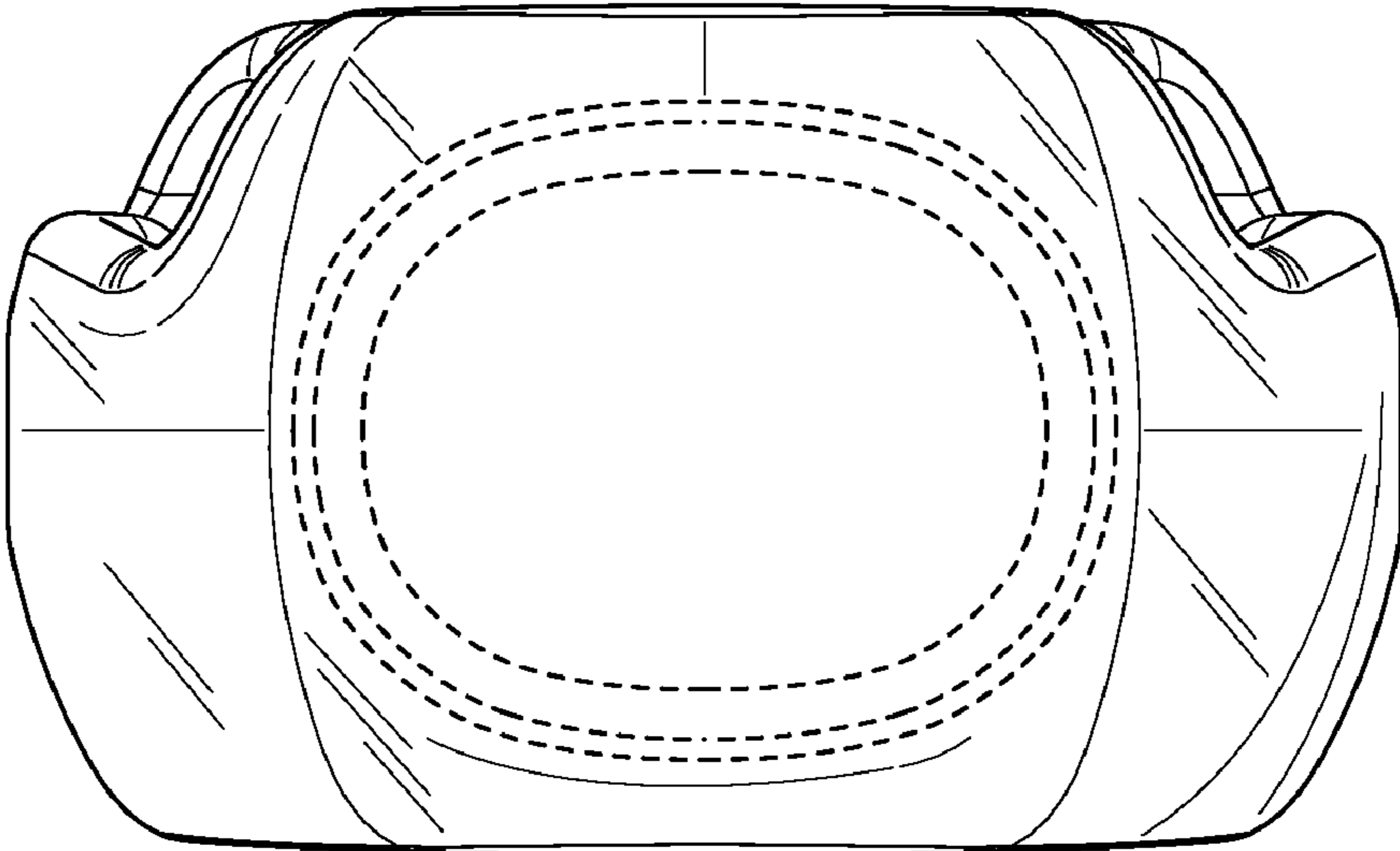


Fig. 8