

US00D673855S

(12) **United States Design Patent**
Burgeson

(10) **Patent No.:** **US D673,855 S**
(45) **Date of Patent:** **** Jan. 8, 2013**

- (54) **CONTAINER**
- (75) Inventor: **Samuel A. Burgeson**, Blaine, MN (US)
- (73) Assignee: **Wildlife Research Center, Inc.**, Ramsey, MN (US)
- (**) Term: **14 Years**
- (21) Appl. No.: **29/388,335**
- (22) Filed: **Mar. 28, 2011**

D305,451 S	1/1990	Rosenbaum	
D308,166 S	5/1990	Weckman	
4,925,066 A	5/1990	Rosenbaum	
4,946,074 A	8/1990	Grogan	
4,950,083 A	8/1990	Bavaveas	
D310,957 S	10/1990	Halm et al.	
D321,315 S	11/1991	Halm et al.	
5,123,460 A	6/1992	Reed	
D340,864 S *	11/1993	De Rothschild et al.	.. D9/571 X
D345,301 S	3/1994	Goehring	
D345,302 S	3/1994	Goehring	
D353,330 S *	12/1994	Kudo et al. D9/575 X
5,429,254 A *	7/1995	Christine 215/11.1
D365,515 S	12/1995	Boykin	
D379,764 S *	6/1997	Litton D9/522

(Continued)

Related U.S. Application Data

- (63) Continuation-in-part of application No. 29/357,224, filed on Mar. 9, 2010, now Pat. No. Des. 635,034.
- (51) **LOC (9) Cl.** **09-01**
- (52) **U.S. Cl.** **D9/522**; D9/523; D9/528; D9/530; D9/575
- (58) **Field of Classification Search** D9/516, D9/522-52, 530, 541-543, 571, 574-575, D9/682, 685, 692-694, 738, 743-745, 453; 215/10, 379, 381-382, 384; D23/213, 226
See application file for complete search history.

Primary Examiner — Carol P Rademaker

(74) *Attorney, Agent, or Firm* — Dorsey & Whitney LLP; Kenneth E. Levitt, Esq.

(57) **CLAIM**

The ornamental design for a container, as shown and described.

DESCRIPTION

This Application is related to co-pending U.S. application Ser. Nos. 29/388,329 and 29/388,332, each filed Mar. 28, 2011, the contents of which are hereby incorporated by reference in their entireties.

FIG. 1 is a top, front, left side perspective view of a container showing my new design;

FIG. 2 is a front elevational view thereof;

FIG. 3 is a rear elevational view thereof;

FIG. 4 is a left side elevational view thereof;

FIG. 5 is a right side elevational view thereof; and

FIG. 6 is a top plan view thereof; and,

FIG. 7 is a bottom plan view thereof.

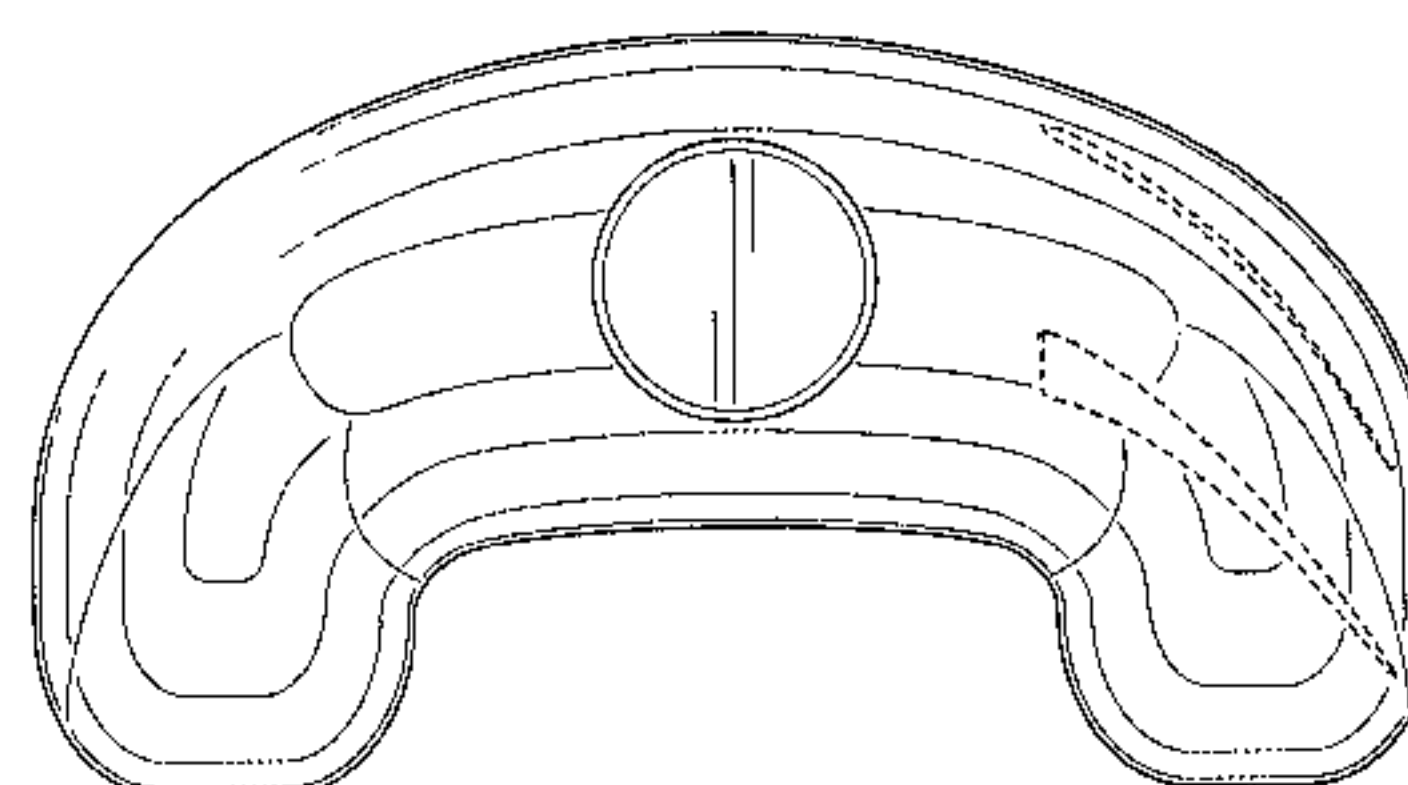
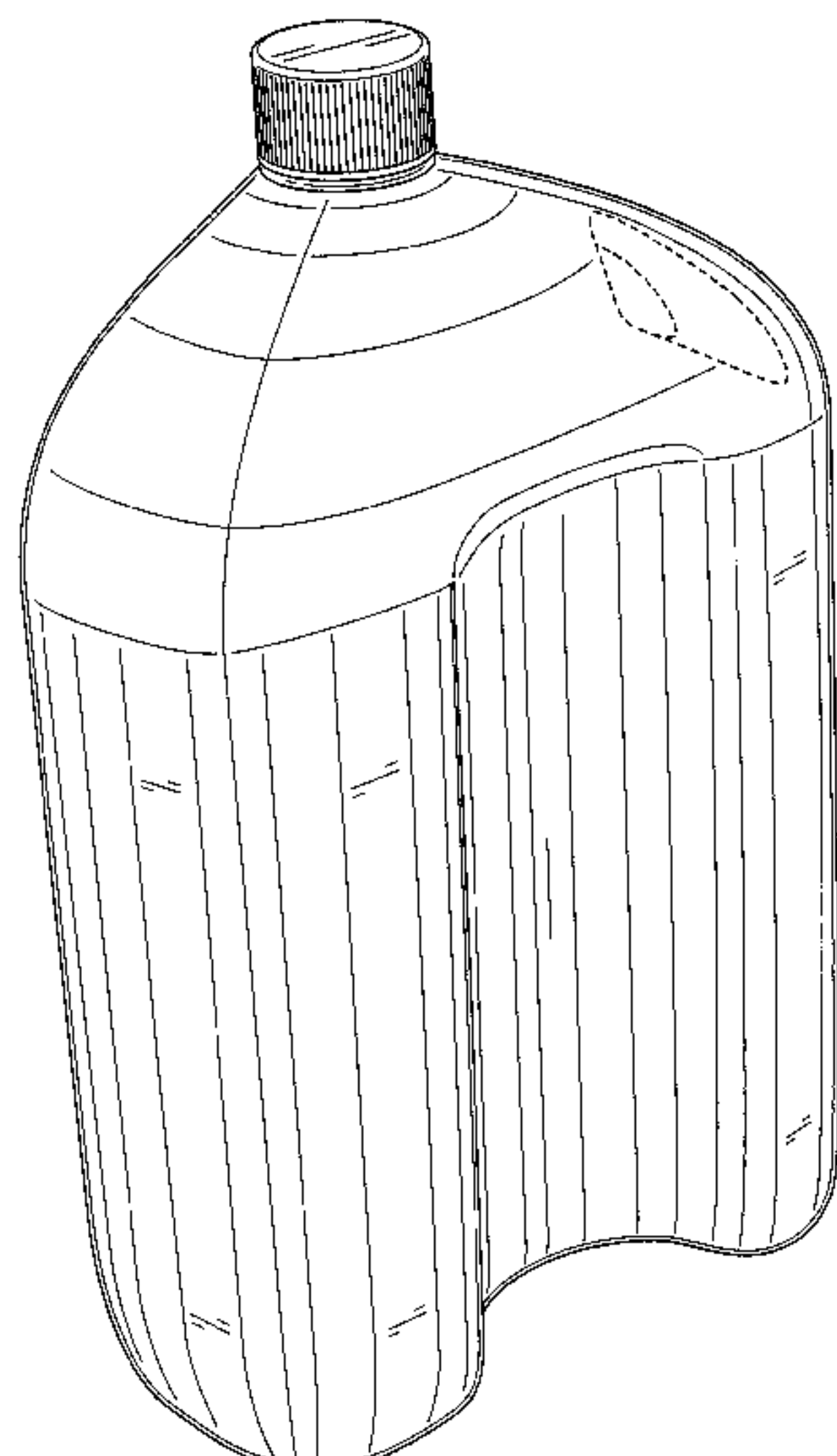
The broken lines shown in the drawings are included for the purpose of illustrating environmental structure and form no part of the claimed design.

1 Claim, 6 Drawing Sheets

(56) **References Cited**

U.S. PATENT DOCUMENTS

D32,425 S *	4/1900	Bernheim	D9/522
D53,666 S *	7/1919	Schwidetzky	D9/522
2,753,990 A	7/1956	Chalfin et al.		
D234,748 S *	4/1975	Carstens	D9/522
D239,697 S *	4/1976	Hunt	D9/522
D256,271 S	8/1980	Tada		
4,227,650 A	10/1980	McKinney		
D261,361 S *	10/1981	Epperson	D9/523 X
D275,078 S	8/1984	Wassergord et al.		
D276,698 S *	12/1984	Carlson	D9/522
D277,978 S	3/1985	Bundschuh		
4,506,805 A	3/1985	Marcon		
D282,633 S	2/1986	Beaver et al.		
4,640,441 A	2/1987	Bunschoten		
D293,294 S *	12/1987	Fujiyama	D7/605
D302,522 S	8/1989	Charboneau et al.		



US D673,855 S

Page 2

U.S. PATENT DOCUMENTS

D380,148 S	6/1997	Hauf et al.	
D387,673 S	12/1997	Crawford	
D406,052 S	2/1999	Dumont et al.	
D407,210 S *	3/1999	Lauth, III	D3/202
5,875,940 A	3/1999	Mayfield	
D408,730 S *	4/1999	Herrmann	D9/694
6,022,134 A	2/2000	Andrews	
D438,119 S *	2/2001	Meyer et al.	D9/523 X
D443,980 S *	6/2001	Stewart	D3/202
D446,124 S *	8/2001	Lehnert	D9/523 X
D448,285 S	9/2001	Palm et al.	
6,286,728 B1	9/2001	Driskell et al.	
D451,028 S *	11/2001	Guseo	D9/522
D454,787 S	3/2002	Cummings	
D456,246 S	4/2002	Drake et al.	
D456,262 S	4/2002	Cummings	
6,561,437 B1	5/2003	Schulman	
D477,783 S	7/2003	Gilmore et al.	
D494,069 S	8/2004	Mayne	
D495,257 S	8/2004	Crawford et al.	
D516,435 S	3/2006	Barraclough	
7,011,235 B2	3/2006	Pasquariello	
D539,150 S *	3/2007	Leoncavallo et al.	D9/571 X
D543,867 S	6/2007	Yourist	
RE39,718 E	7/2007	Mayne	
D562,138 S *	2/2008	Warner	D9/522
D569,737 S	5/2008	Ogawa et al.	
D571,671 S *	6/2008	de France	D9/687
D572,594 S *	7/2008	Shook et al.	D9/516 X
7,404,497 B2	7/2008	Lowance	
D602,379 S	10/2009	Traiforos	
D606,411 S	12/2009	Mongeon et al.	
D614,957 S	5/2010	Schaeffer	

* cited by examiner

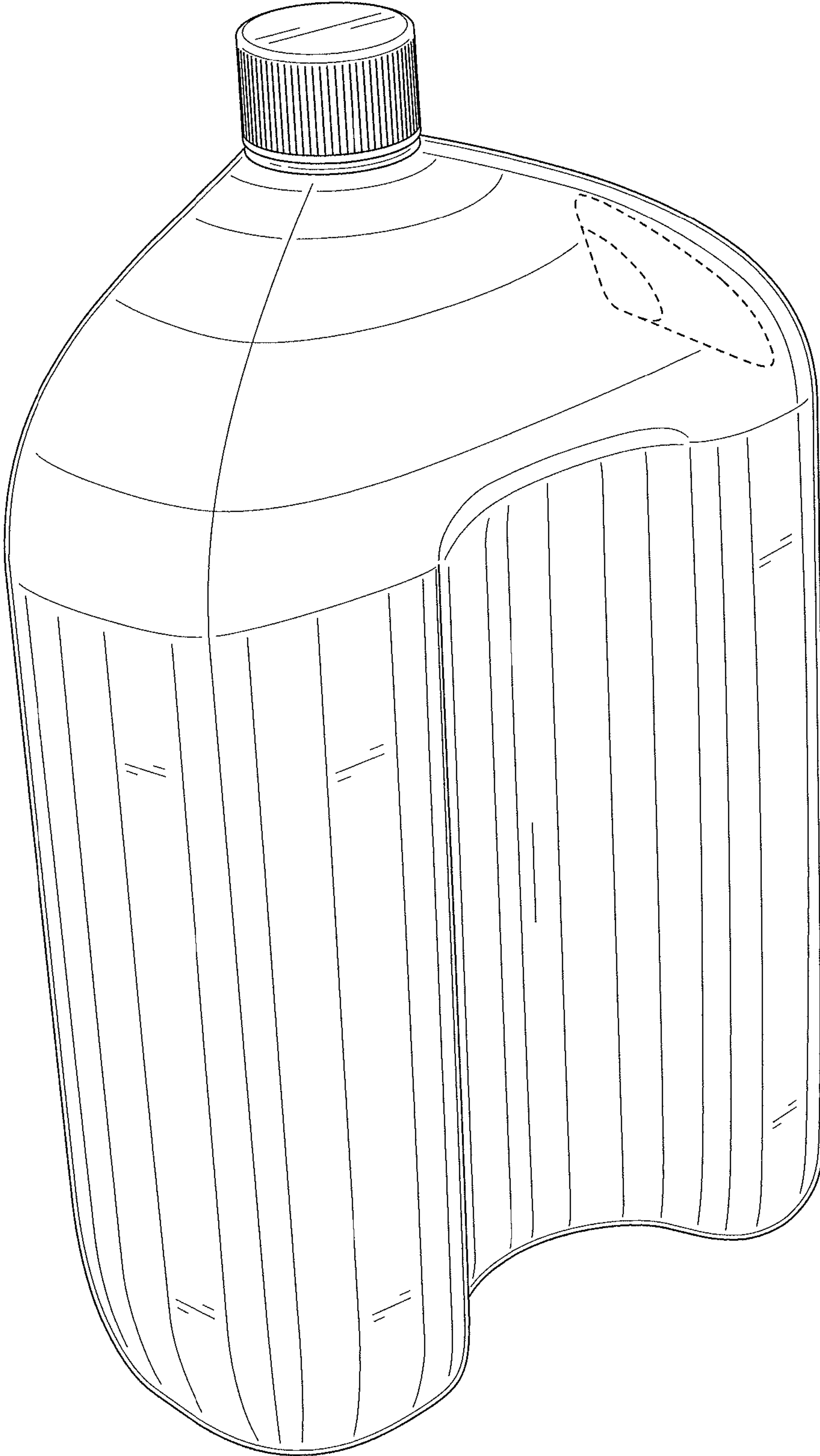


FIG. 1

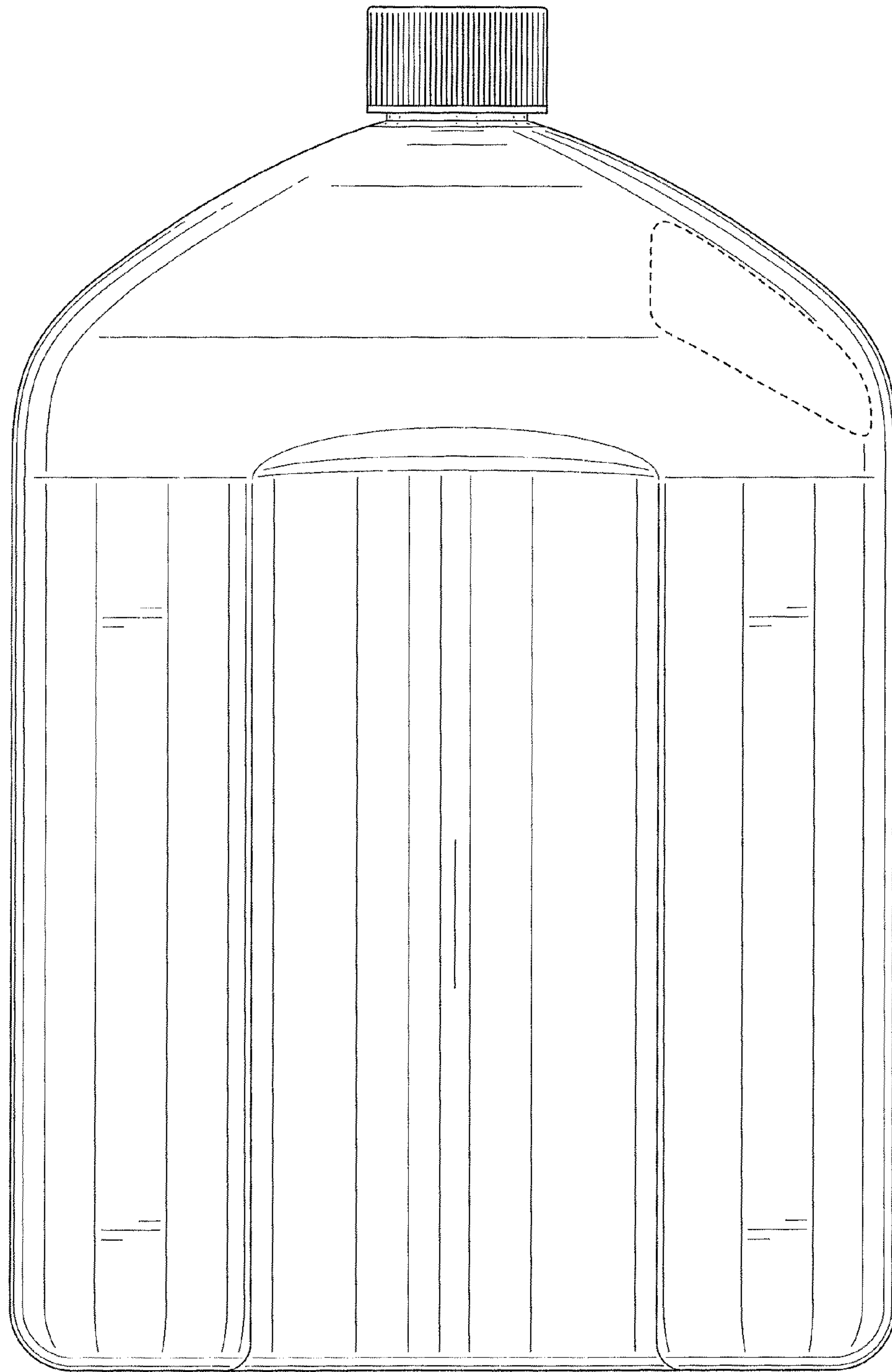


FIG. 2

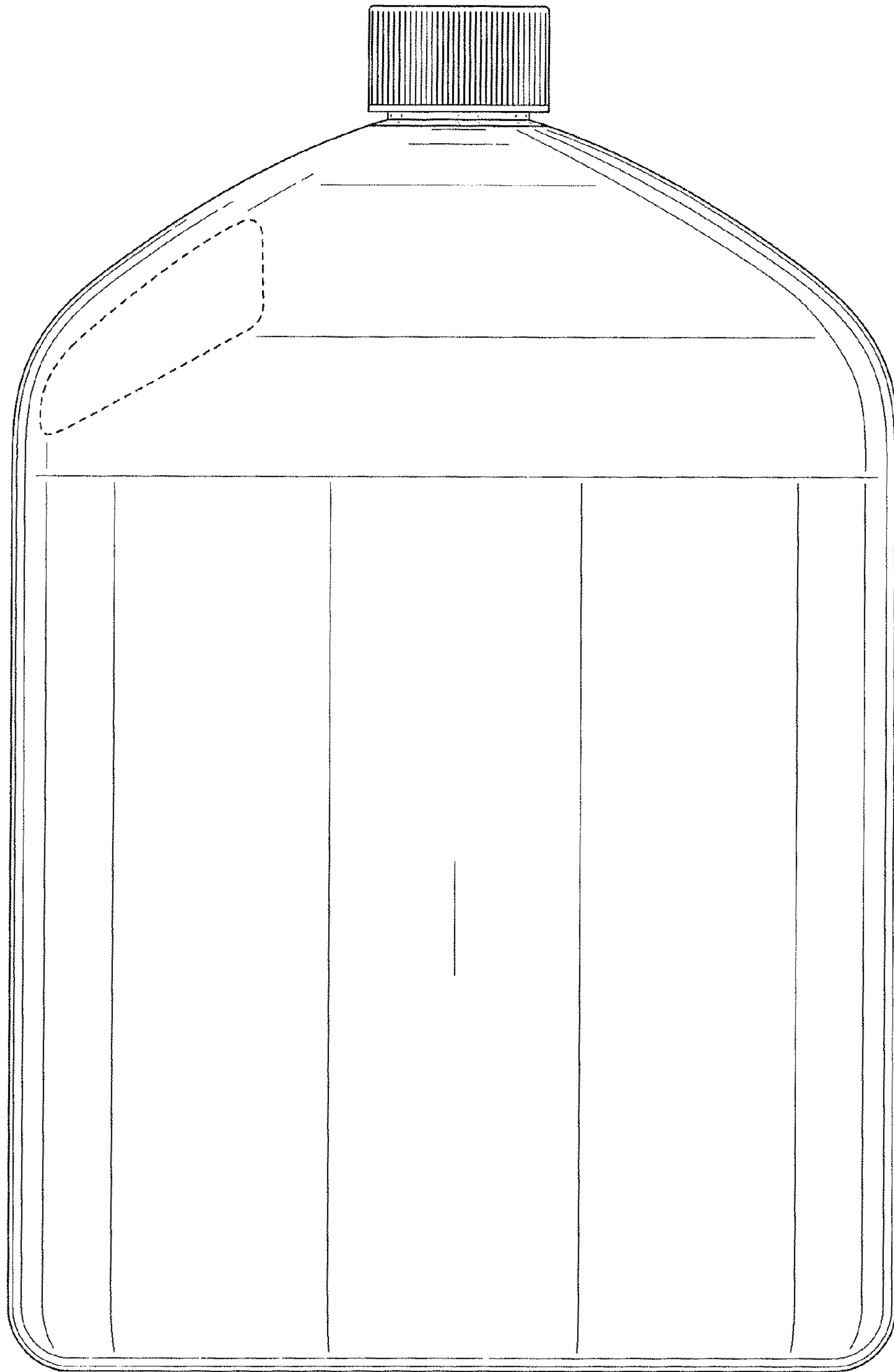


FIG. 3

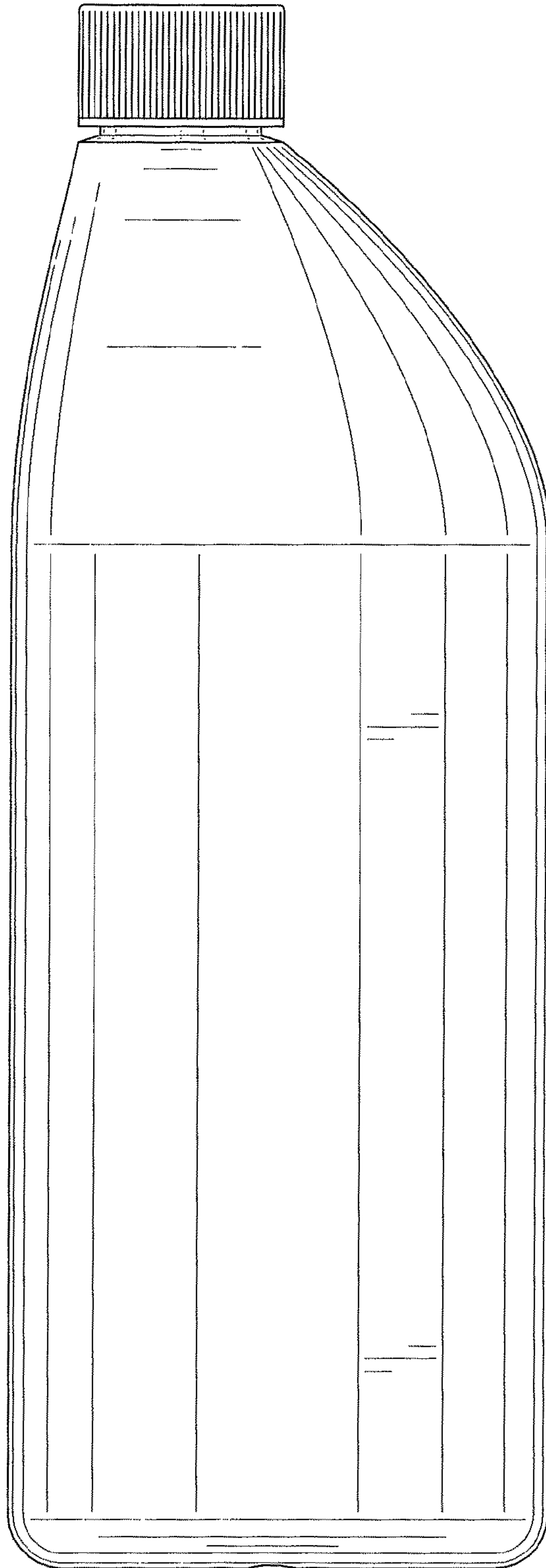


FIG. 4

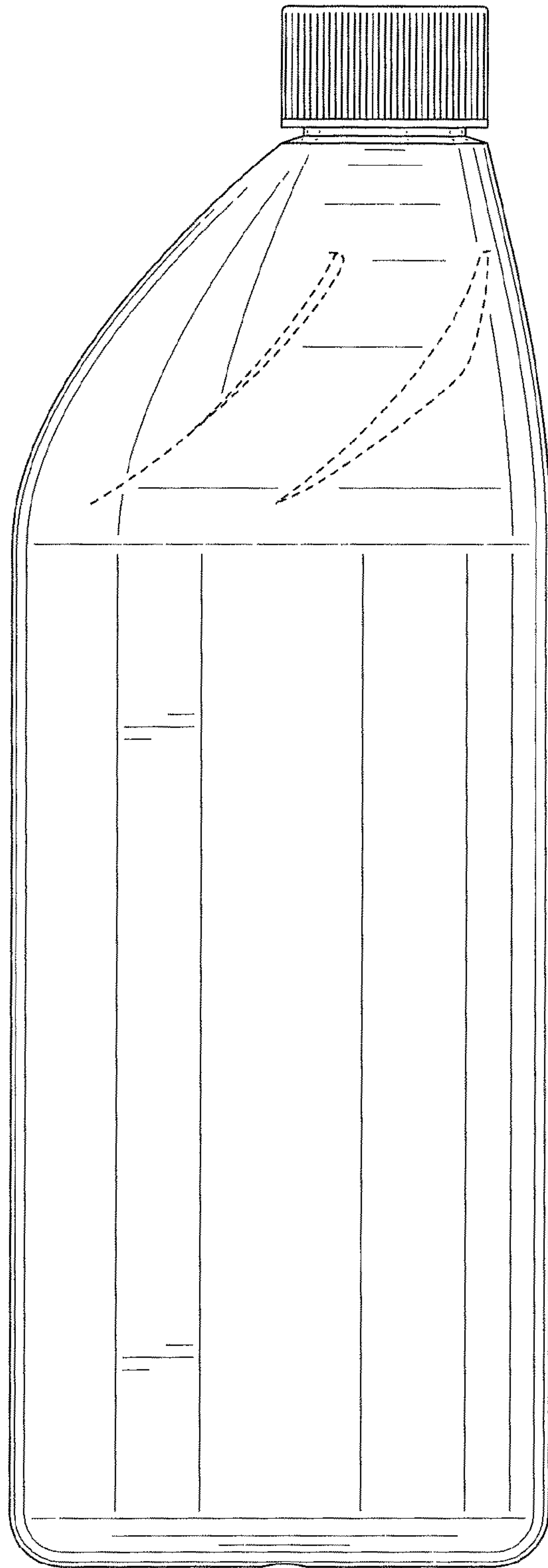


FIG. 5

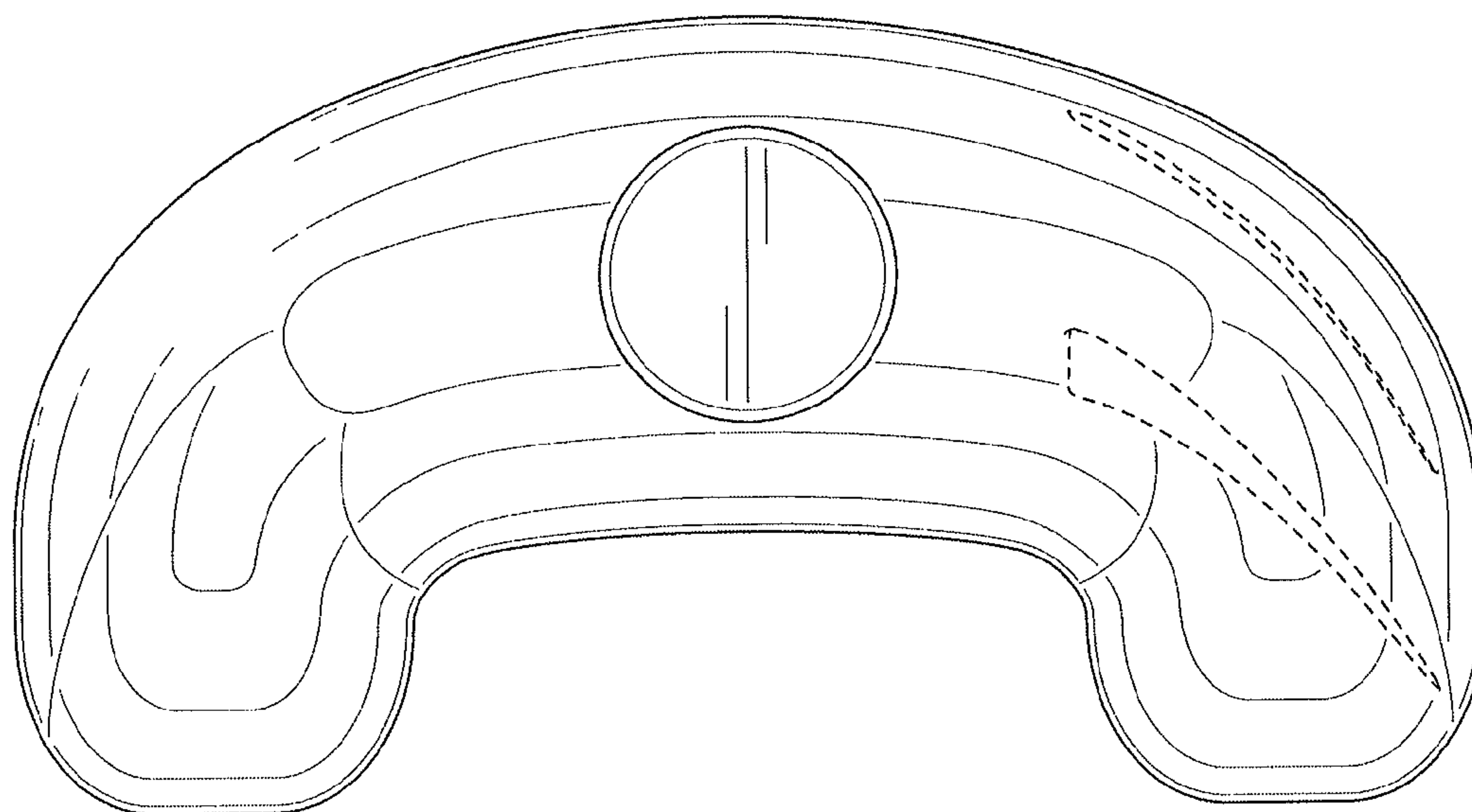


FIG. 6

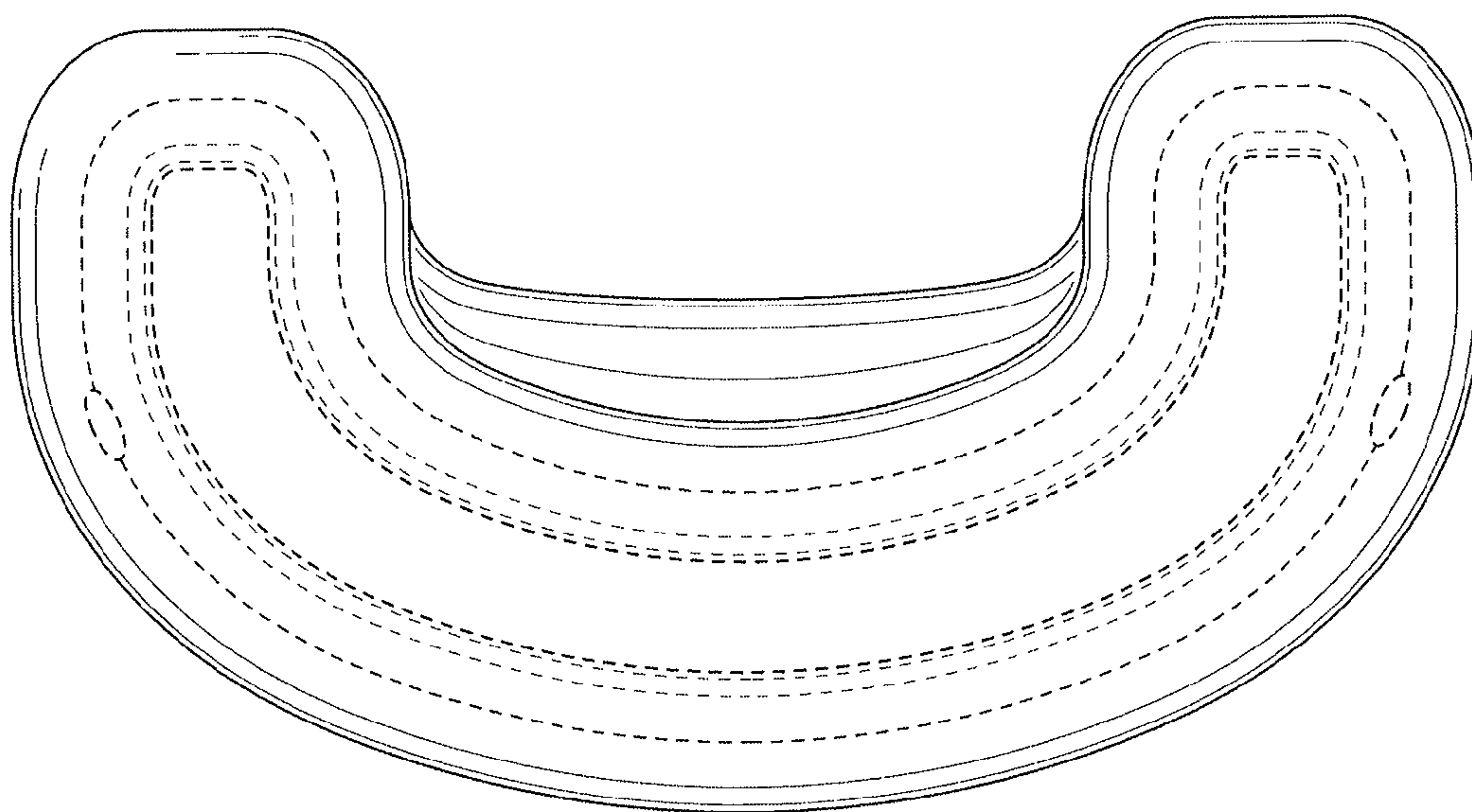


FIG. 7

UNITED STATES PATENT AND TRADEMARK OFFICE
CERTIFICATE OF CORRECTION

PATENT NO. : D673,855 S
APPLICATION NO. : 29/388335
DATED : January 8, 2013
INVENTOR(S) : Burgeson

Page 1 of 1

It is certified that error appears in the above-identified patent and that said Letters Patent is hereby corrected as shown below:

Description

Title Page

PTO

“This Application is related to co-pending U.S. application Ser. Nos. 29/388,329 and 29/388,332, each filed Mar. 28, 2011, the contents of which are hereby incorporated by reference in their entireties.”

“FIG. 6 is a top plan view thereof; and,”

Should Read

-- This Application is a Continuation-in-Part of U.S. Patent Application No. 29/357,224, filed March 9, 2010, now U.S. Patent No. D635,034, the contents of which are hereby incorporated by reference in their entirety. This Application is related to co-pending U.S. application Ser. Nos. 29/388,329 and 29/388,332, each filed Mar. 28, 2011, the contents of which are hereby incorporated by reference in their entireties.--

--FIG. 6 is a top plan view thereof; and--

Signed and Sealed this
Twenty-third Day of April, 2013



Teresa Stanek Rea
Acting Director of the United States Patent and Trademark Office