



US00D673854S

(12) **United States Design Patent**
James

(10) **Patent No.:** **US D673,854 S**
(45) **Date of Patent:** **** Jan. 8, 2013**

(54) **BOTTLE**

(75) Inventor: **Timothy Peter James**, Brooklyn, NY (US)

(73) Assignee: **The 86 Company**, New York, NY (US)

(**) Term: **14 Years**

(21) Appl. No.: **29/406,602**

(22) Filed: **Nov. 16, 2011**

(51) **LOC (9) Cl.** **09-01**

(52) **U.S. Cl.** **D9/500; D9/502; D9/547; D9/557**

(58) **Field of Classification Search** D9/500,
D9/502-505, 516, 544-546, 549, 558, 682,
D9/690-691, 537, 539, 547, 557; D7/598,
D7/300; 215/379, 381-382; 220/660, 662,
220/669, 675

See application file for complete search history.

(56) **References Cited**

U.S. PATENT DOCUMENTS

D75,313 S *	5/1928	Weyer	D9/542
D80,587 S *	2/1930	Thompson	D9/537
D85,233 S *	9/1931	Fuerst	D9/500
D100,230 S *	6/1936	Steelman	D9/545
D104,574 S *	5/1937	Nester	D9/544
D110,030 S *	6/1938	Lilienthal	D9/545
D132,052 S *	4/1942	Trees	D9/500
D134,181 S *	10/1942	Schwartz	D9/537
D229,746 S *	1/1974	McPhee	D9/504
D249,636 S *	9/1978	Wolstenholme	D9/500
D268,395 S *	3/1983	Humphries	D9/503
D280,486 S *	9/1985	Reay	D9/500
D308,335 S *	6/1990	Rubinoff	D9/557
D363,026 S *	10/1995	Sillince et al.	D9/500
D413,511 S *	9/1999	Guthrie et al.	D9/658
D414,417 S *	9/1999	Alt	D9/502
D438,117 S *	2/2001	Shefler et al.	D9/516

D449,785 S *	10/2001	Guthrie et al.	D9/516
D476,571 S *	7/2003	Lince	D9/500
D597,413 S *	8/2009	Teuscher	D9/649
D626,419 S *	11/2010	Adamson	D9/550

OTHER PUBLICATIONS

“Italian.”, “Concave.” and Plain Round Shouldered, Olive and Italian Oils—Flint Glass, Whitney Glass Works Catalog, Received Jul. 1914, p. 37.*

“1623-A 1623-C Short Pilfer Proof Roll-on”, Standard Liquor Finishes, Owens-Illinois—Distilled Spirits, Wines, & Cordials, 1960—Stock Catalog, Duraglas by Owens-Illinois Glass Co., OH, © 1960, p. F.*

“R 46-49 75 LS”, House of Stuart Blended Scotch Whisky, Liquor Store Magazine, Jobson Publishing Corp., New York, NY, Apr. 1975, vol. 82, No. 4, p. 119.*

Still Wines Range 2009 Design Catalogue, Saverglass Inc., 2003, p. 49 & 69.*

<http://www.excelliatequila.com/> (Sep. 11, 2011).

<http://www.oempromo.com/product/Bottles/2/27-Oz-Aluminum-Sports-Bottle-W-1-Groove--Screened--280181.htm> (Apr. 20, 2012).

* cited by examiner

Primary Examiner — Ian Simmons

Assistant Examiner — Dana L Meyrow

(74) *Attorney, Agent, or Firm* — Malloy & Malloy, P.L.

(57) **CLAIM**

The ornamental design for a bottle, as shown and described.

DESCRIPTION

FIG. 1 is a bottom perspective view of a bottle showing my new design;

FIG. 2 is a front elevation view thereof;

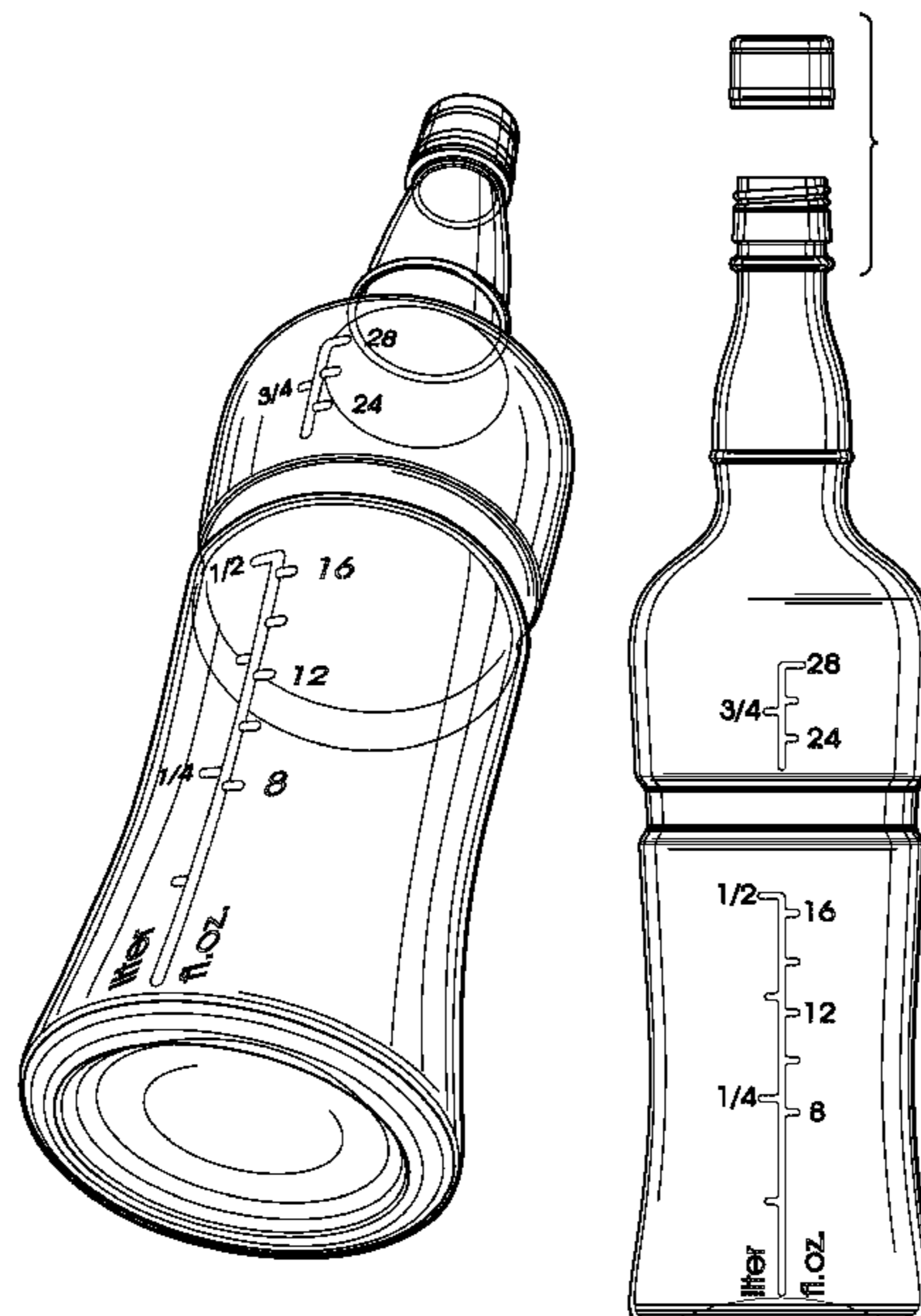
FIG. 3 is a rear elevation view thereof;

FIG. 4 is a top plan view thereof; and,

FIG. 5 is a bottom plan view thereof.

The broken lines in the drawings are for illustrative purposes only and form no part of the claimed design.

1 Claim, 3 Drawing Sheets



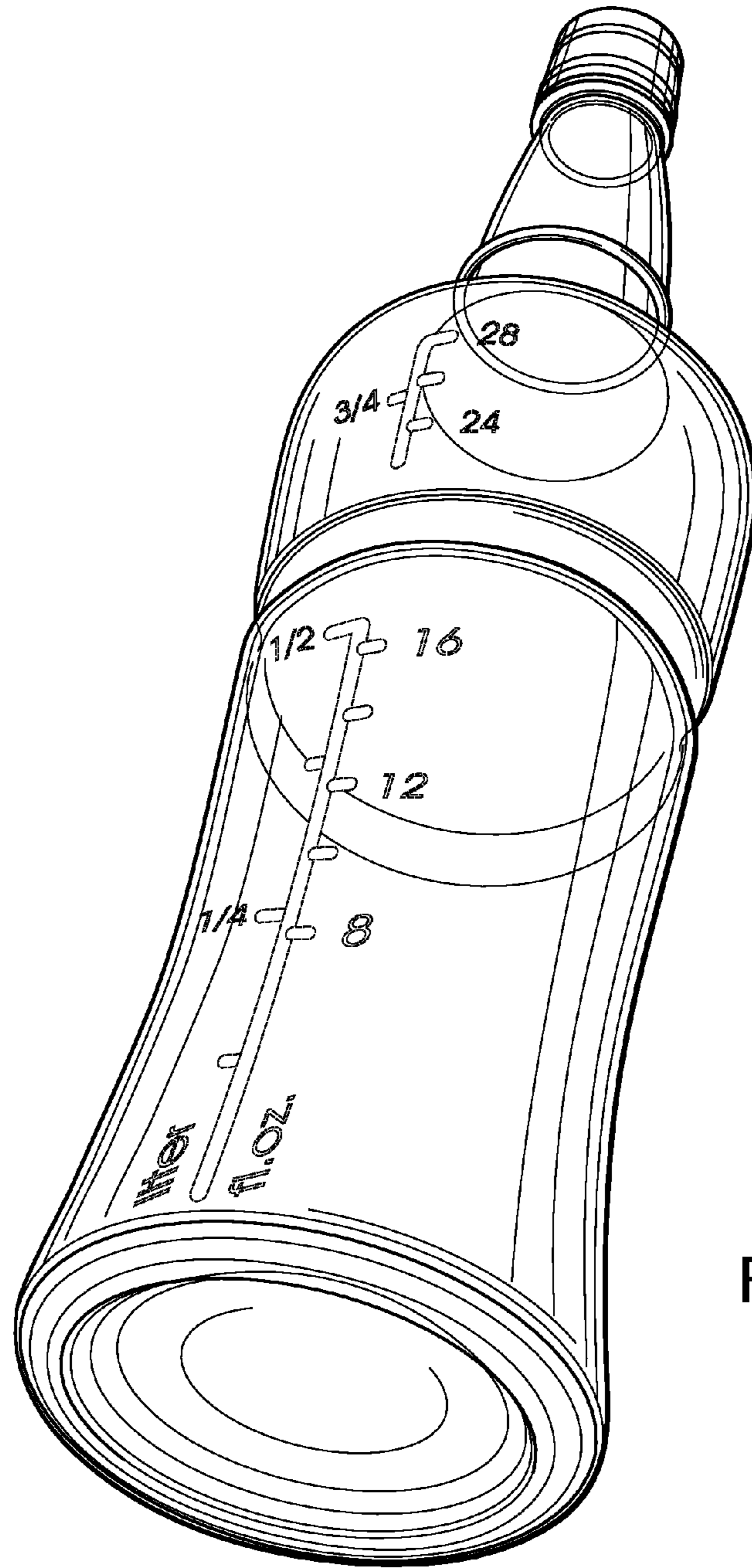


FIG. 1

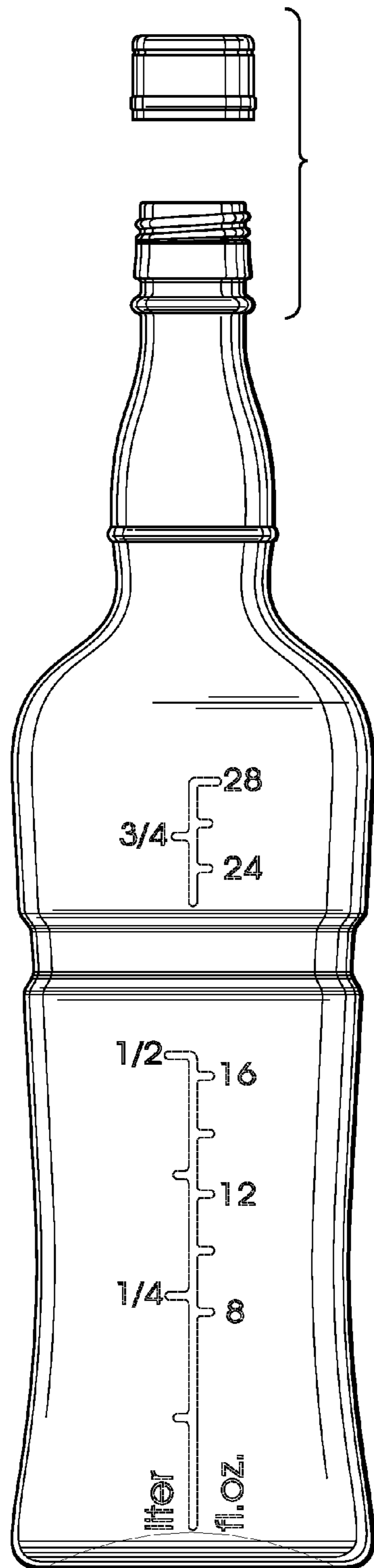


FIG. 2

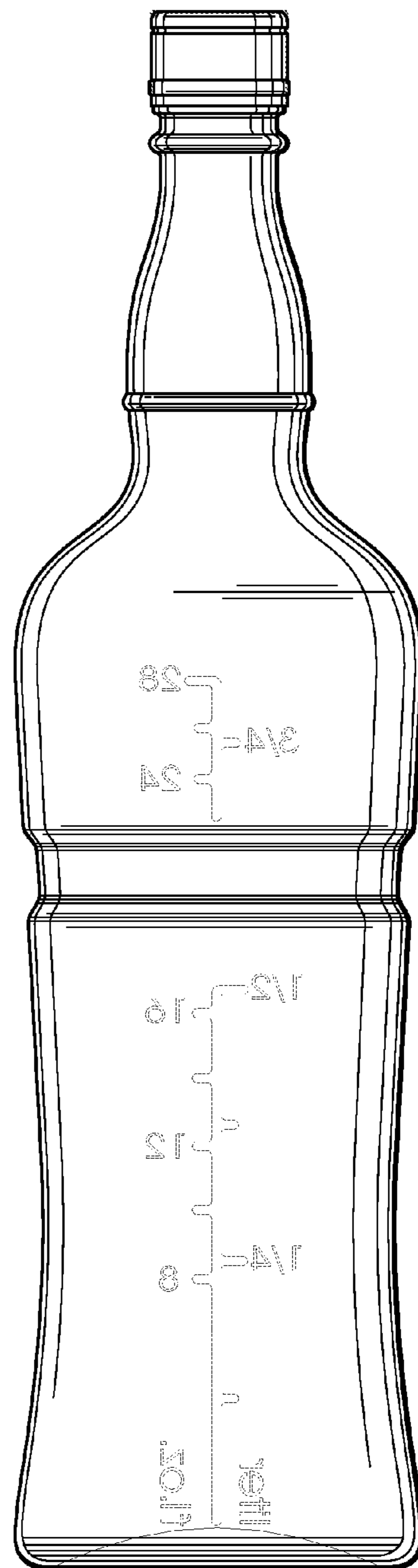


FIG. 3

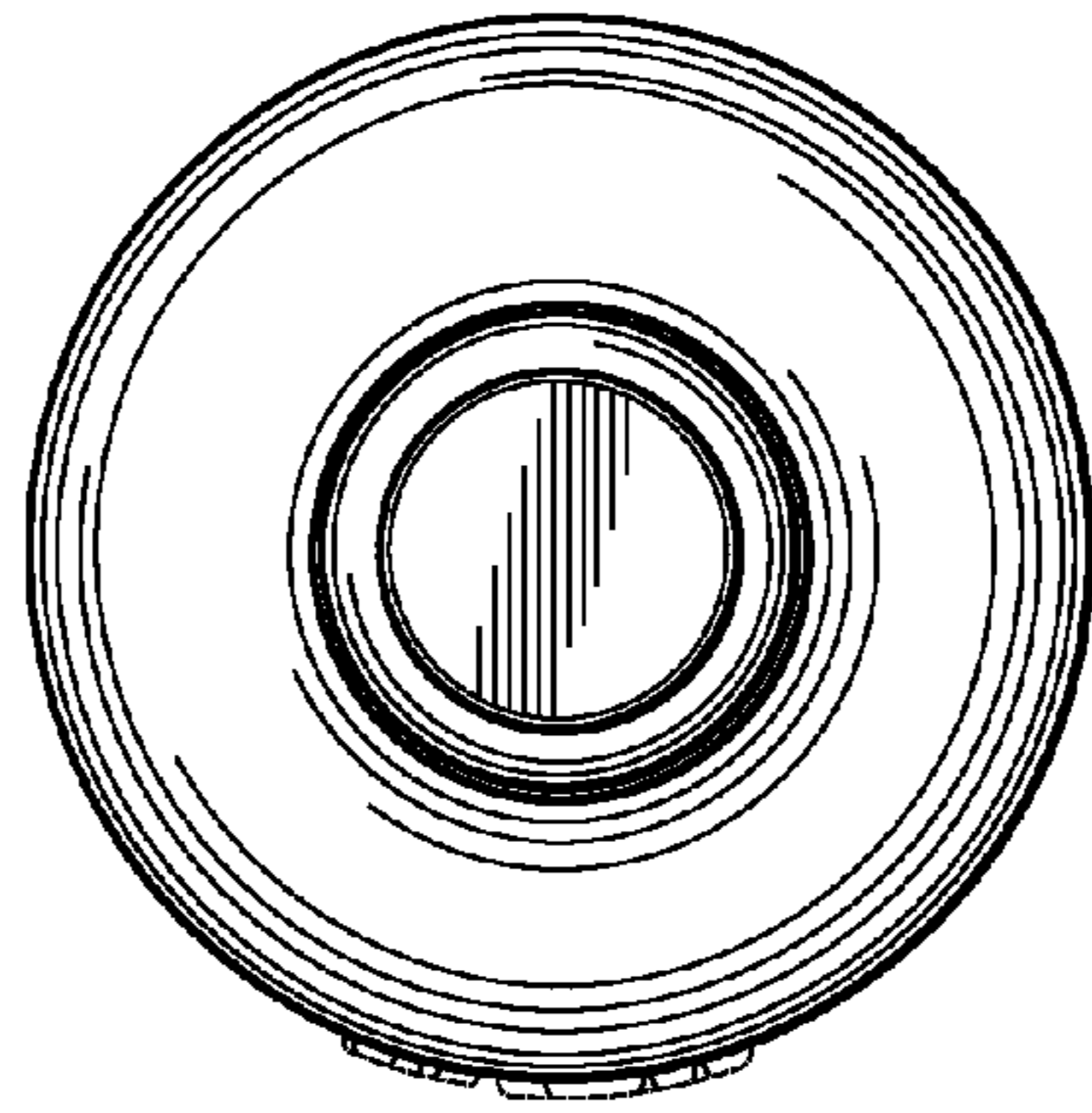


FIG. 4

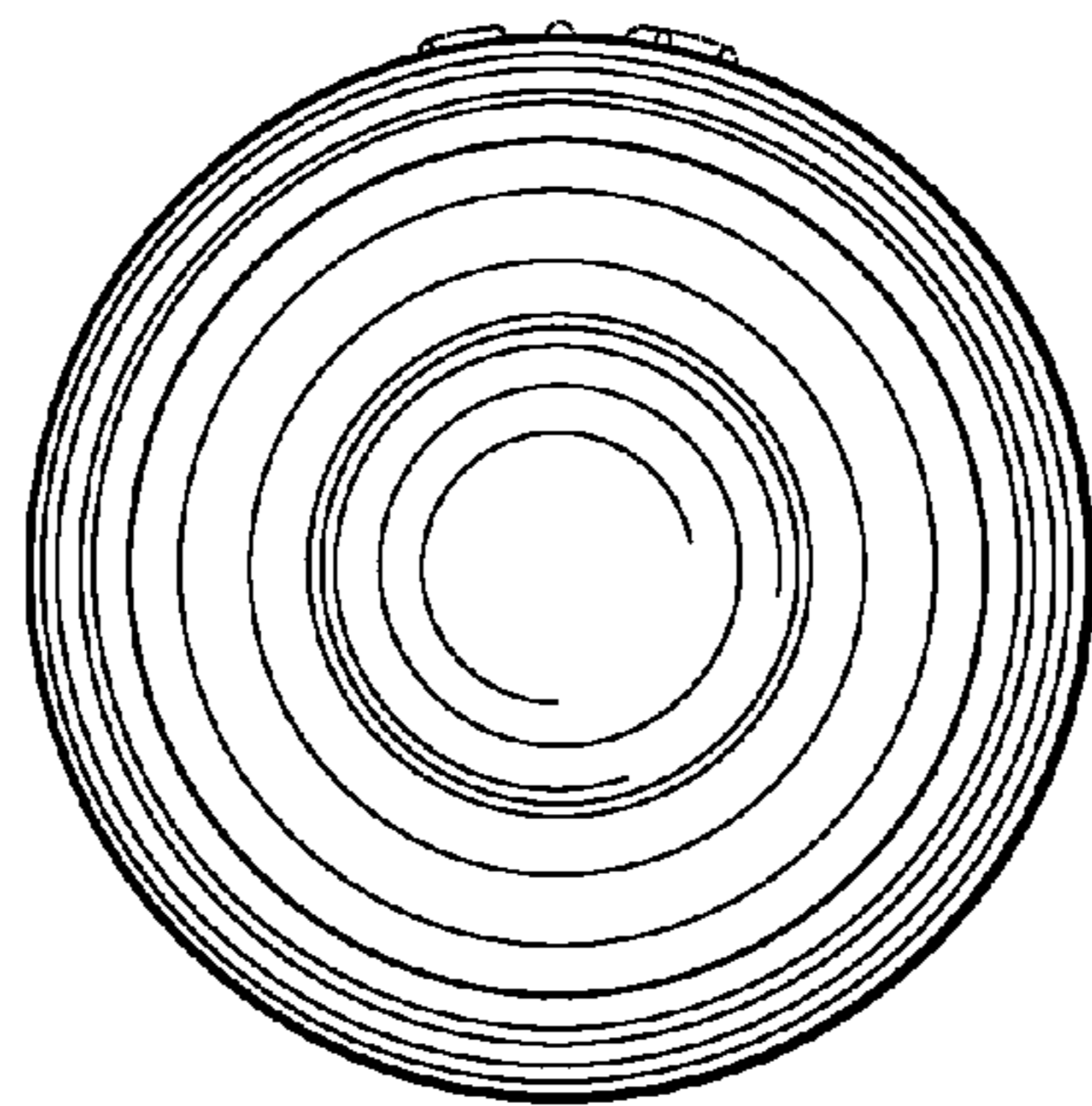


FIG. 5