



US00D673853S

(12) **United States Design Patent**  
**Burns et al.**

(10) **Patent No.:** **US D673,853 S**  
(45) **Date of Patent:** **\*\* Jan. 8, 2013**

(54) **SUBSTRATE SHIPPER COMPONENT**

(75) Inventors: **John Burns**, Colorado Springs, CO (US); **Mark V. Smith**, Colorado Springs, CO (US); **Eric S. Olson**, Shorewood, MN (US); **Russ V. Raschke**, Chanhassen, MN (US); **Michael S. Adams**, New Prague, MN (US)

(73) Assignee: **Entegris, Inc.**, Billerica, MA (US)

(\*\*) Term: **14 Years**

(21) Appl. No.: **29/429,021**

(22) Filed: **Aug. 6, 2012**

**Related U.S. Application Data**

(63) Continuation of application No. 29/378,153, filed on Oct. 29, 2010, now Pat. No. Des. 664,851.

(51) **LOC (9) Cl.** ..... **09-07**

(52) **U.S. Cl.** ..... **D9/456**

(58) **Field of Classification Search** ..... D9/455-456, D9/434, 430-432, 424, 414; D3/304-321, D3/201; 410/154; 206/710-711, 586-592, 206/523

See application file for complete search history.

(56) **References Cited**

**U.S. PATENT DOCUMENTS**

D214,487 S *	6/1969	Reichl	.....	D9/456
D232,783 S *	9/1974	Payne	.....	D3/304
D382,405 S *	8/1997	Ohayon	.....	D3/313
D384,585 S *	10/1997	Swarr	.....	D9/456
D425,703 S *	5/2000	Ohayon	.....	D3/304
D427,894 S *	7/2000	Benz et al.	.....	D8/382
6,142,304 A *	11/2000	Moren et al.	.....	206/587
D461,714 S	8/2002	Hamada et al.	.....	

D461,715 S *	8/2002	Hamada et al.	.....	D9/456
D523,338 S *	6/2006	Hoge et al.	.....	D9/456
D564,880 S *	3/2008	Chang	.....	D9/456
D584,621 S *	1/2009	Jean	.....	D9/456
D628,484 S *	12/2010	Doster	.....	D9/456

**OTHER PUBLICATIONS**

Photos of Expanded Polystyrene Substrate Shipper with Cogs, 2 pages, prior to 2010. Top and Bottom identical. Application and File History of U.S. Appl. No. 29/378,153, filed Oct. 29, 2010 (U.S. Design Patent No. D664,851, issued Aug. 7, 2012), Inventors Steven P. Kolbow et al.

\* cited by examiner

*Primary Examiner* — Susan Bennett Hattan

(74) *Attorney, Agent, or Firm* — Patterson Thuent Christensen Pedersen, P.A.

(57) **CLAIM**

We claim the ornamental design for a substrate shipper component, as shown.

**DESCRIPTION**

FIG. 1 is a back perspective view of a substrate shipper component, according to the invention.

FIG. 2 is a front perspective view of a substrate shipper component, according to the invention.

FIG. 3 is a top plan view of a substrate shipper component, according to the invention.

FIG. 4 is a side elevational view of a substrate shipper component, according to the invention.

FIG. 5 is a side elevational view of a substrate shipper component, according to the invention; and,

FIG. 6 is a top perspective view of a substrate shipper component, according to the present invention.

The broken lines in the drawing depict environmental subject matter only and form no part of the claimed design.

**1 Claim, 5 Drawing Sheets**

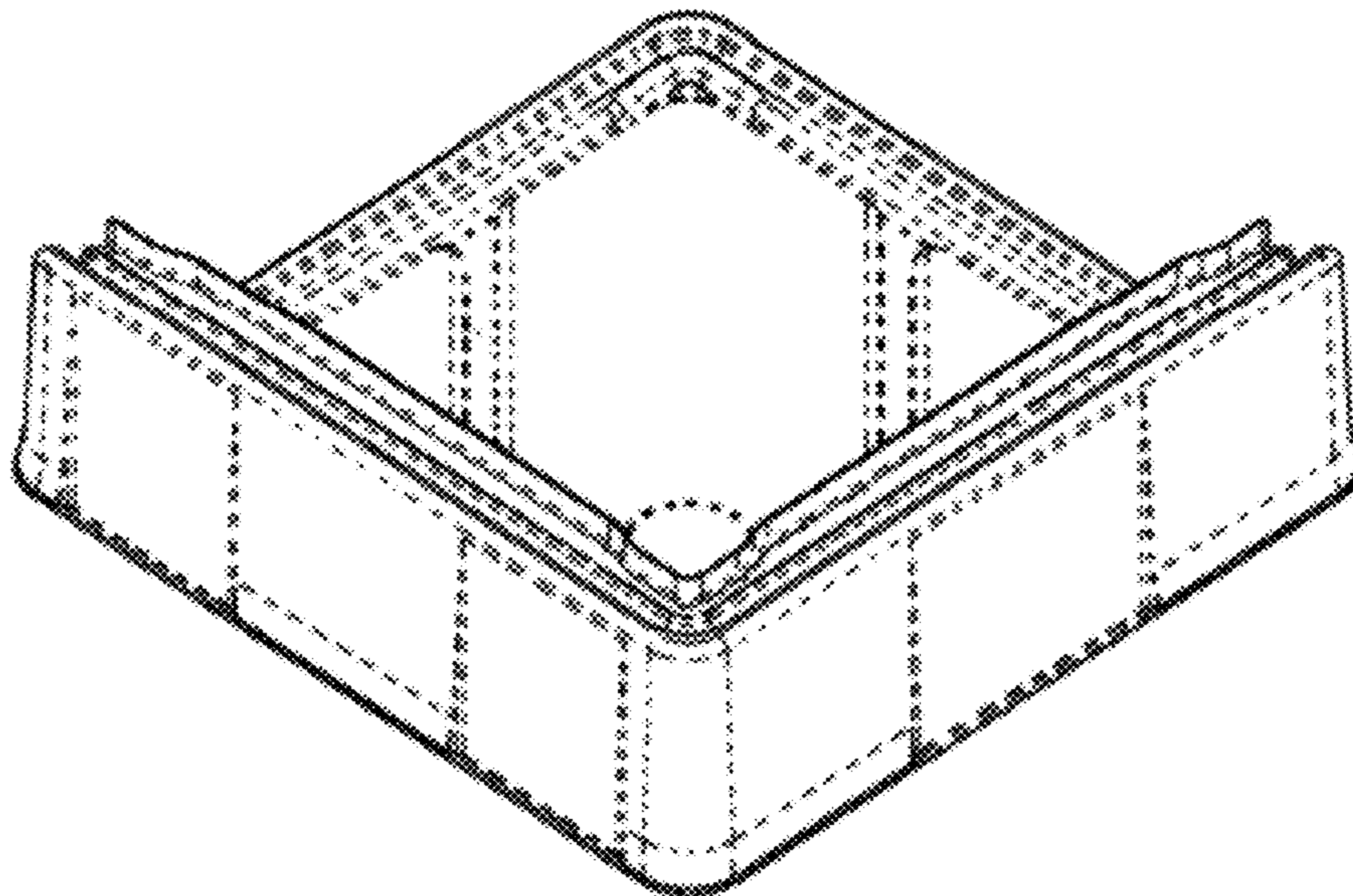


Fig. 1

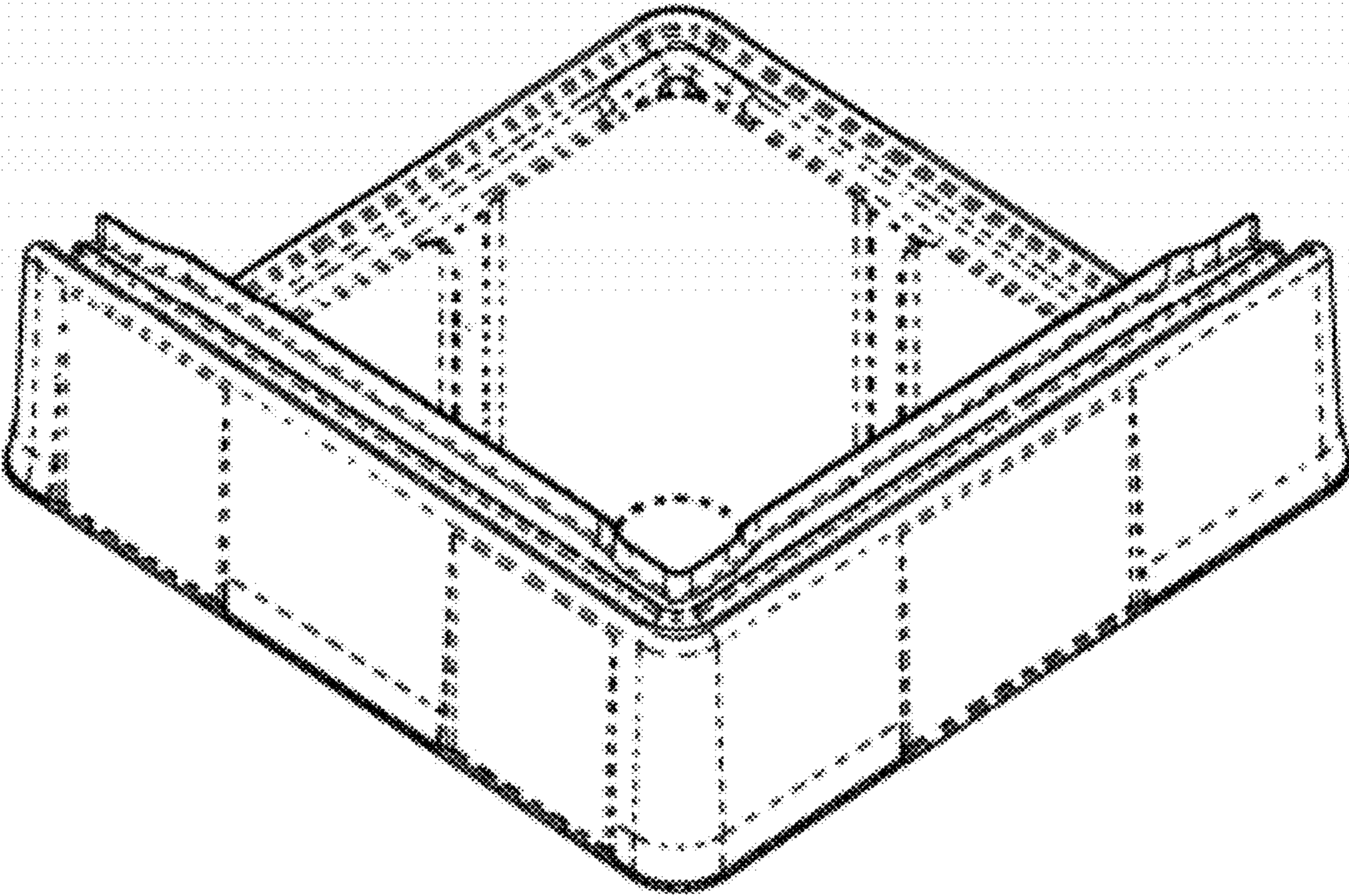


Fig. 2

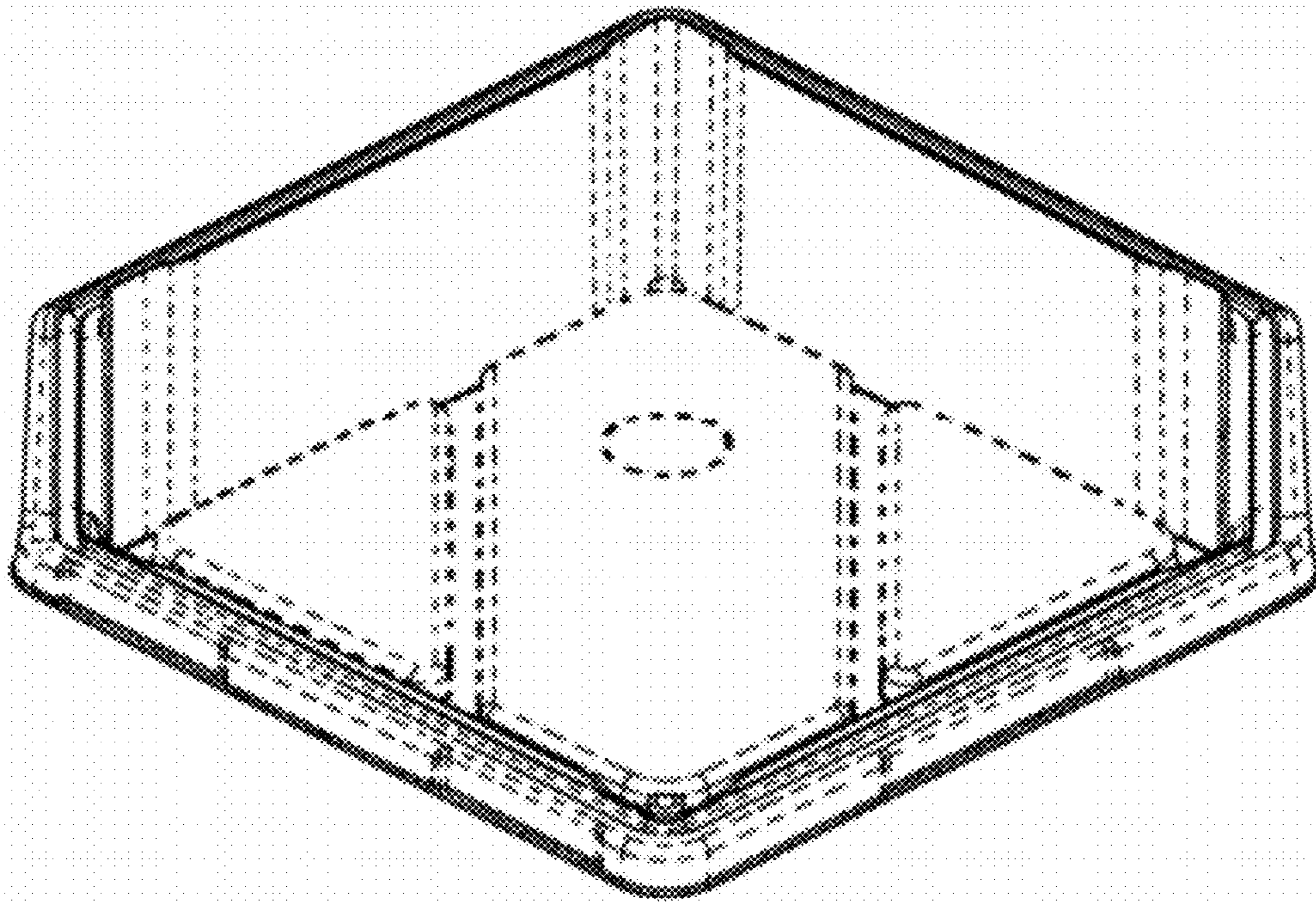


Fig. 3

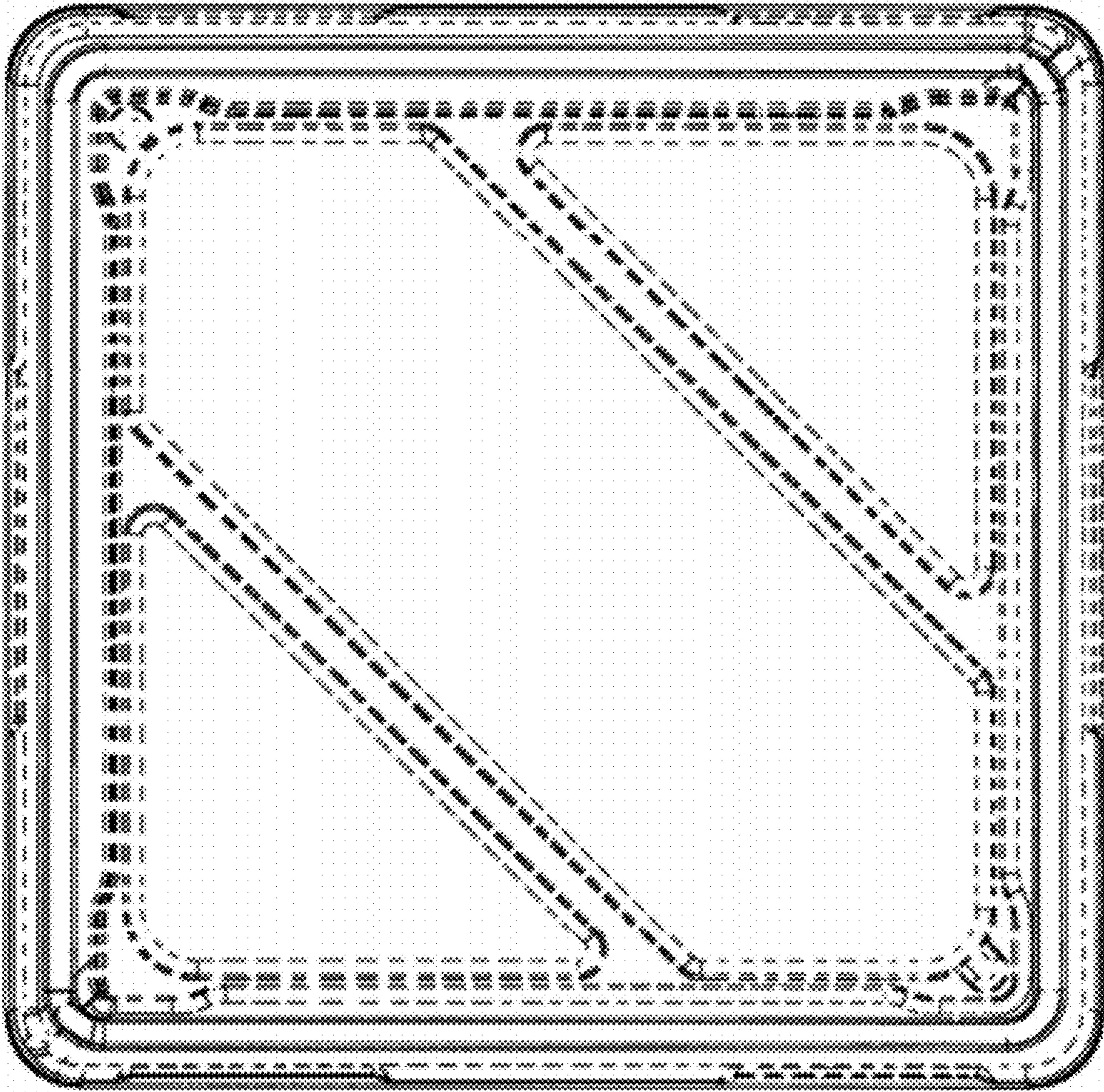


Fig. 4

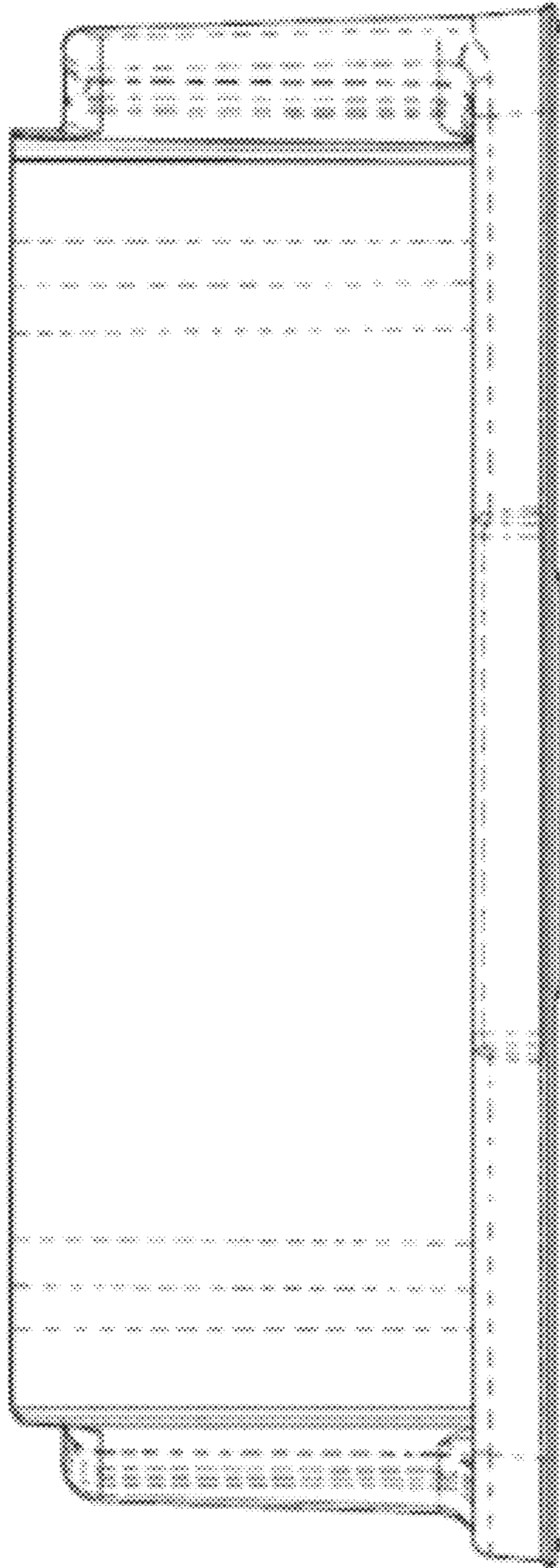


Fig. 5

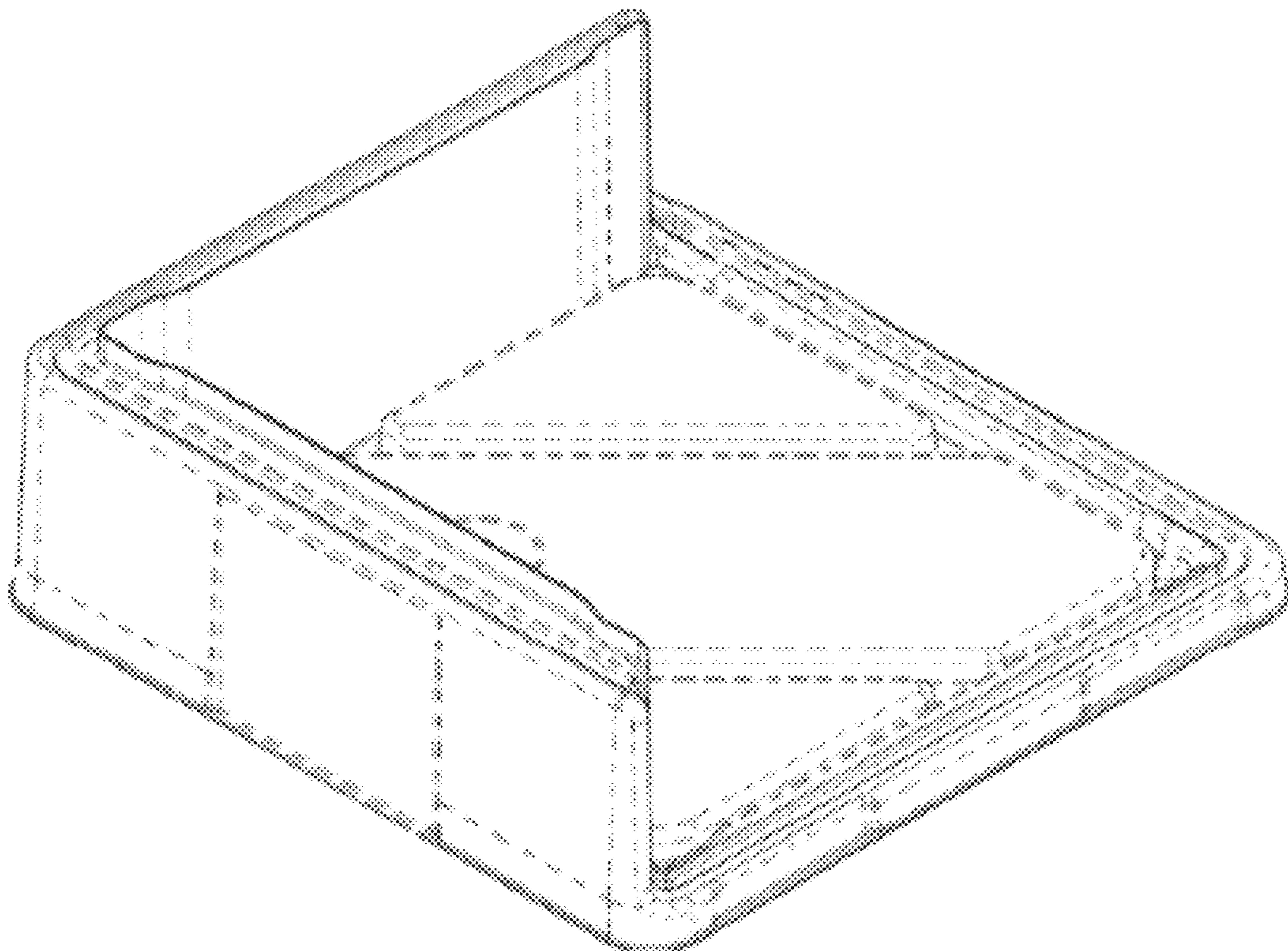
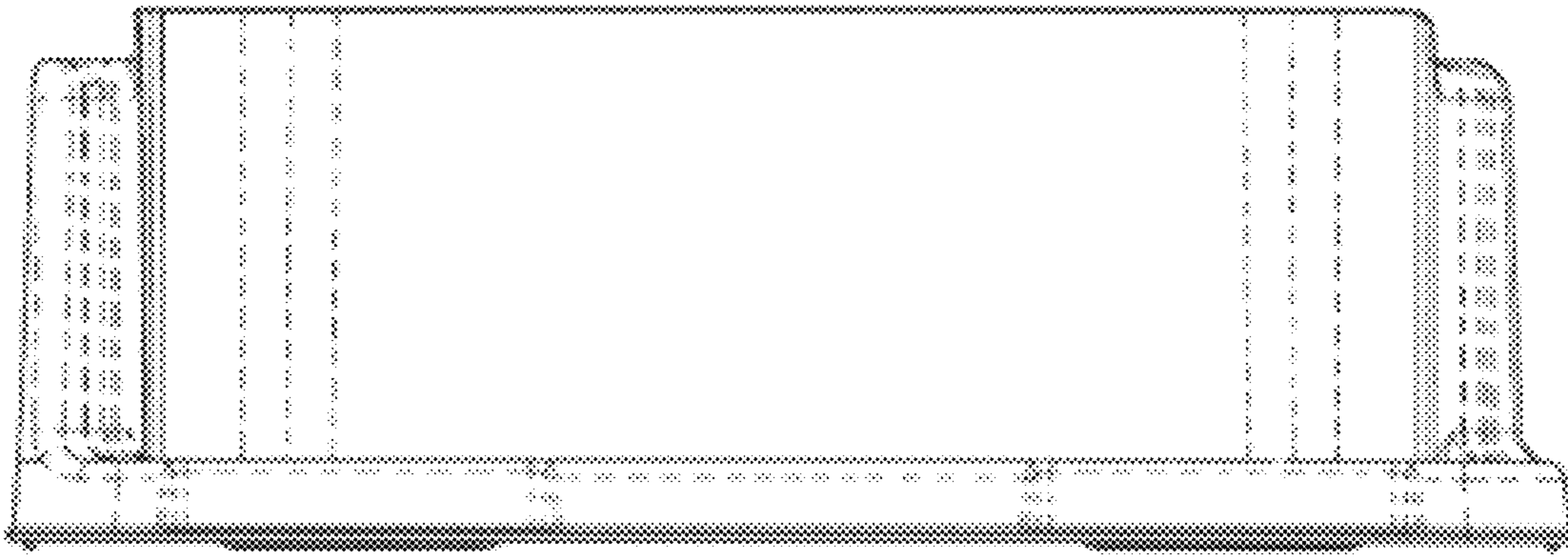


Fig. 6