



US00D673850S

(12) **United States Design Patent**  
**Wadt**

(10) **Patent No.:** **US D673,850 S**

(45) **Date of Patent:** **\*\* Jan. 8, 2013**

(54) **NOZZLE FOR A LIQUID OR FOAM PUMP**

D665,667 S \* 8/2012 Ghiorghie ..... D9/448  
D666,093 S \* 8/2012 Wang ..... D9/448  
8,267,284 B2 \* 9/2012 Ray ..... 222/190

(75) Inventor: **Michael Wadt**, Jylinge (DK)

\* cited by examiner

(73) Assignee: **Hygiene Vision ApS**, Jillinge (DK)

*Primary Examiner* — Susan Bennett Hattan

(\*\*) Term: **14 Years**

*Assistant Examiner* — Barbara B Lohr

(21) Appl. No.: **29/405,345**

(74) *Attorney, Agent, or Firm* — William J. Sapone;  
Coleman Sudol Sapone P.C.

(22) Filed: **Nov. 1, 2011**

(51) **LOC (9) Cl.** ..... **09-07**

(52) **U.S. Cl.** ..... **D9/448**

(58) **Field of Classification Search** ..... D9/434,  
D9/435, 448, 682, 685, 686; 222/190, 323.1,  
222/383.1, 383.3, 402.11

See application file for complete search history.

(57) **CLAIM**

I claim the ornamental design for a nozzle for a liquid or foam pump, as shown and described.

**DESCRIPTION**

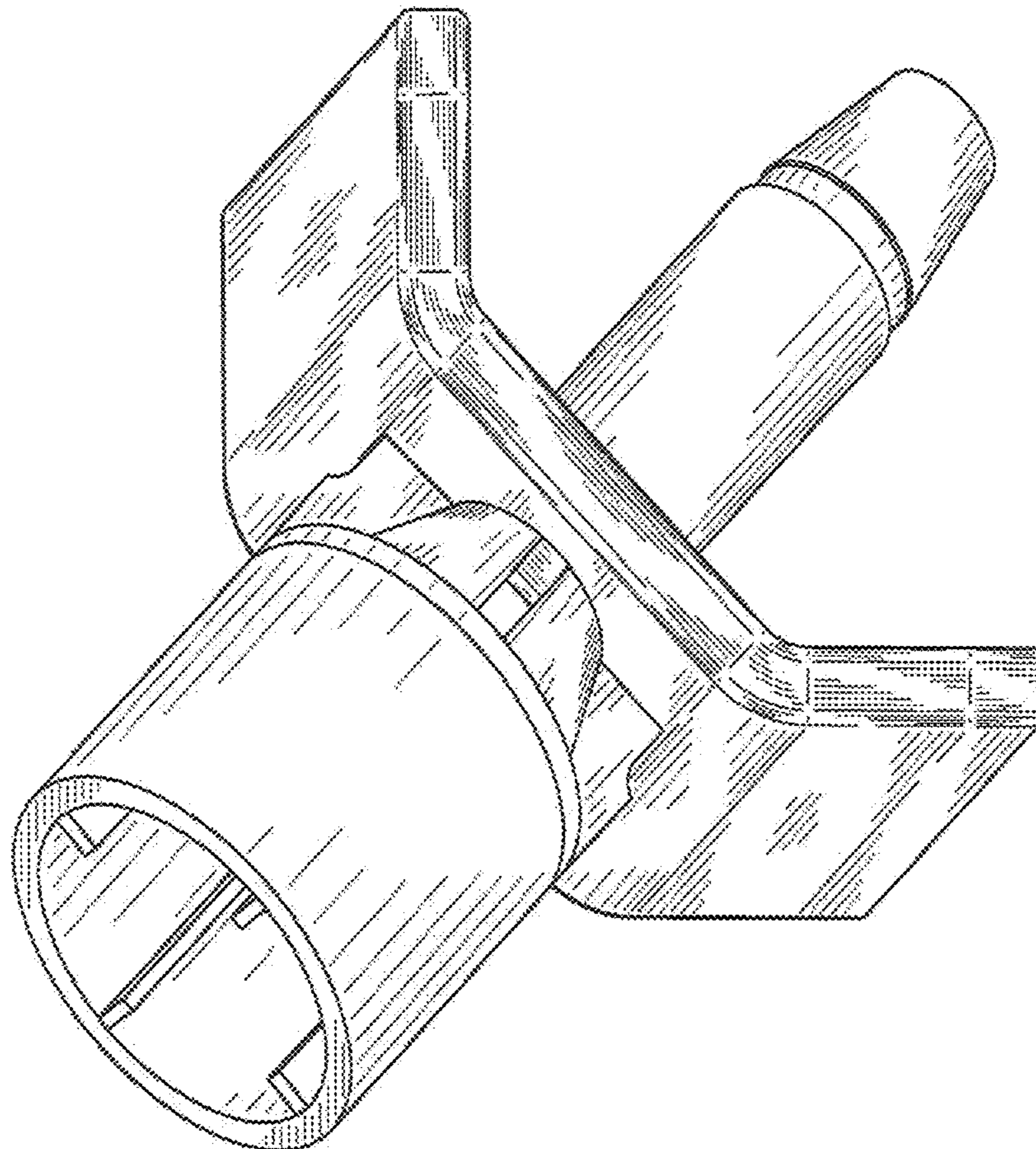
FIG. 1 is a perspective front view of the nozzle for a liquid or foam pump, showing my new design, FIG. 2 is a front view thereof, FIG. 3 is a right side view thereof, the left side view being a mirror image thereof, FIG. 4 is a bottom view thereof; and, FIG. 5 is top view thereof.

(56) **References Cited**

U.S. PATENT DOCUMENTS

D598,751 S \* 8/2009 Tseng ..... D9/448  
D659,533 S \* 5/2012 Taylor et al. .... D9/448  
D659,536 S \* 5/2012 Bedford et al. .... D9/448  
D661,580 S \* 6/2012 Takizawa et al. .... D9/448  
D664,431 S \* 7/2012 Wang ..... D9/448

**1 Claim, 4 Drawing Sheets**



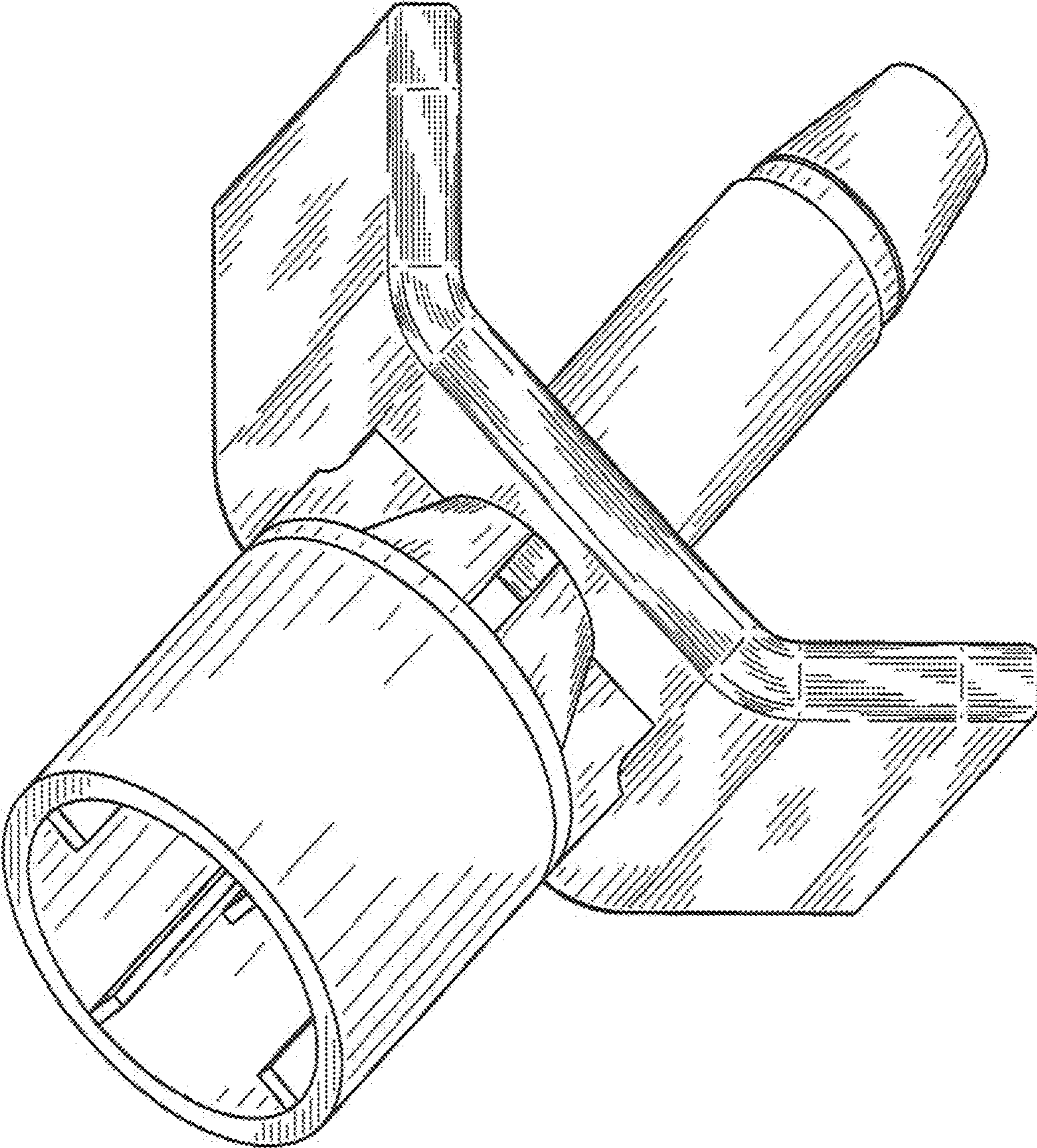


FIG. 1

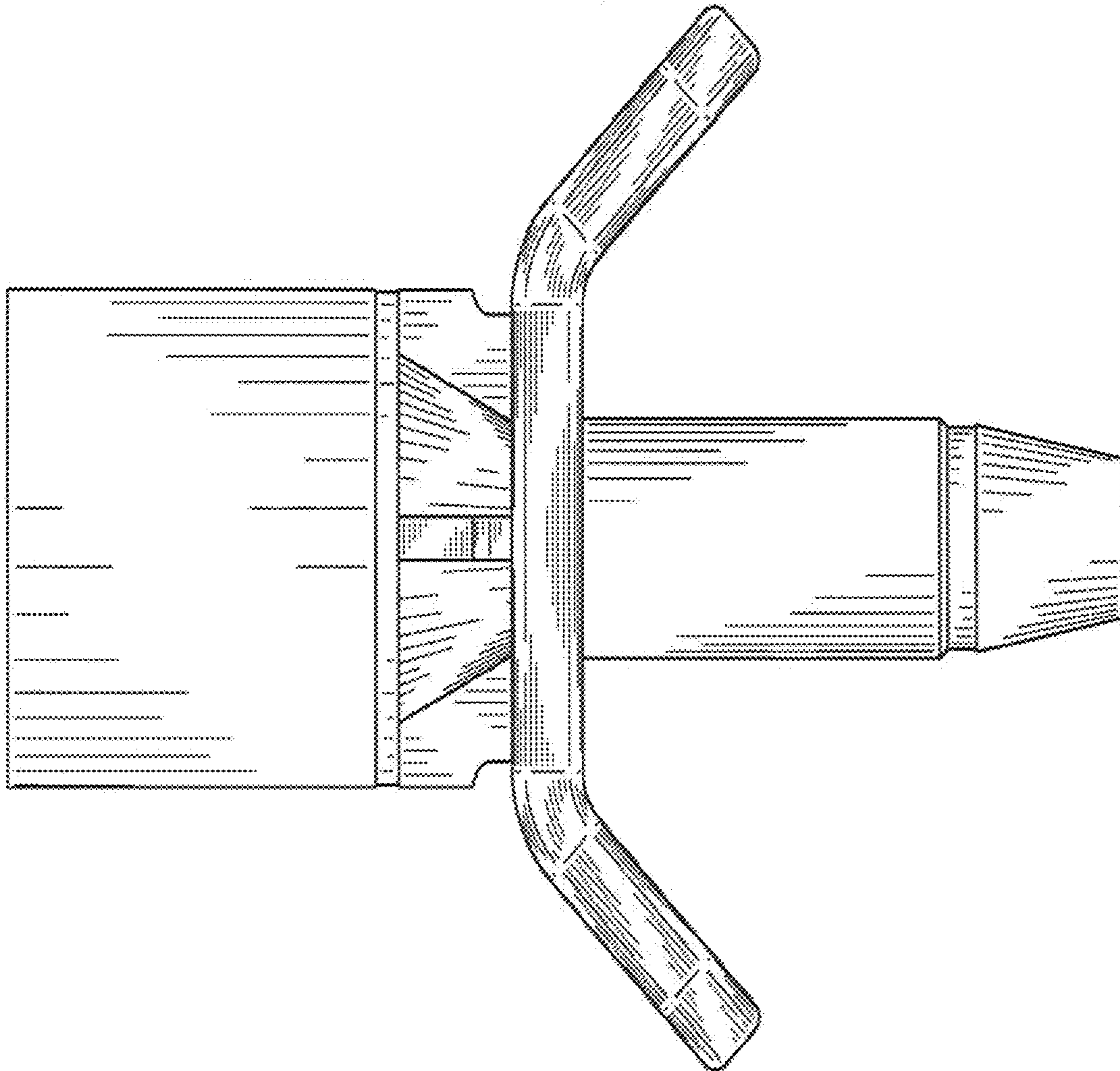


FIG. 2

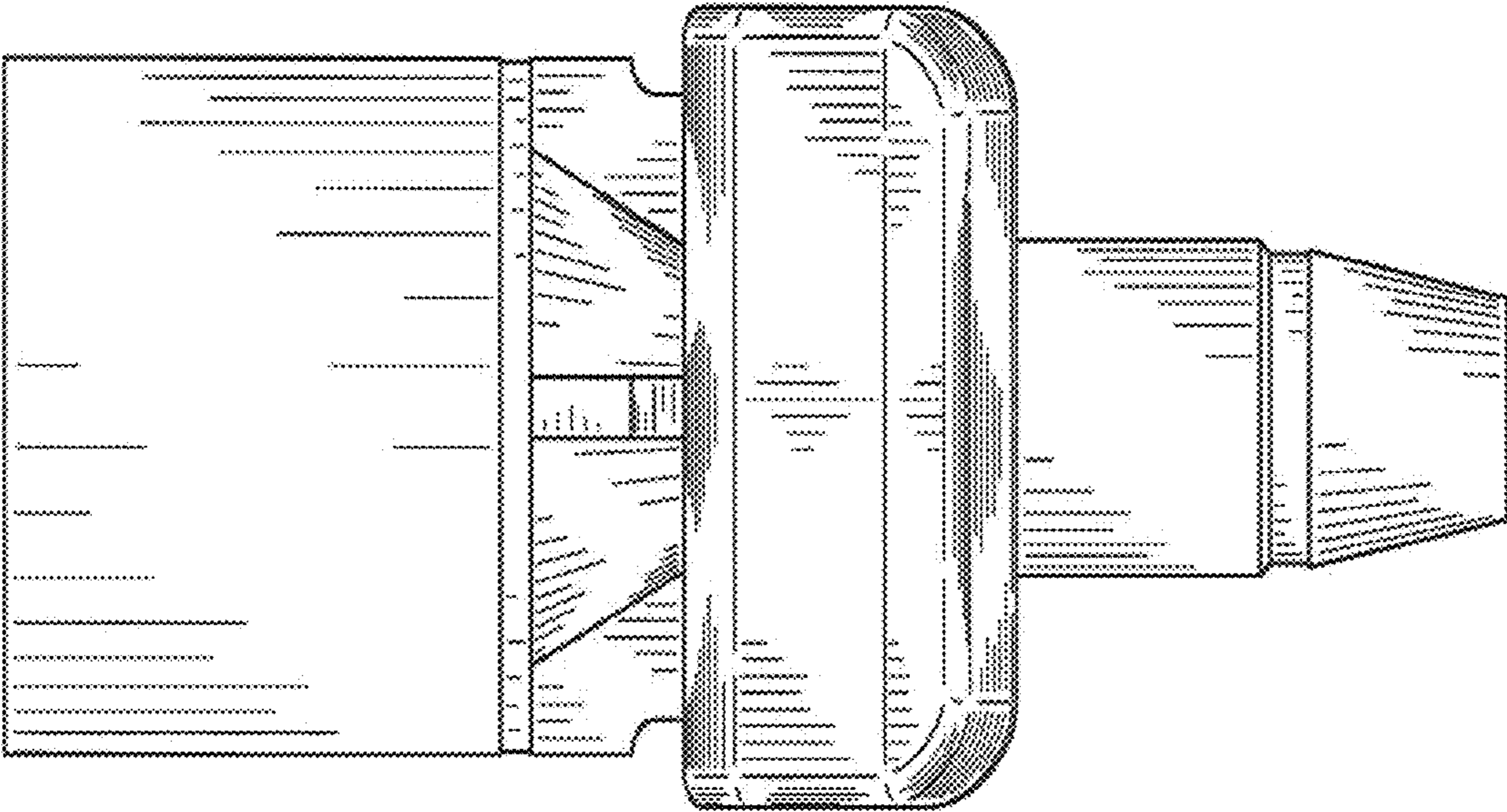


FIG. 3

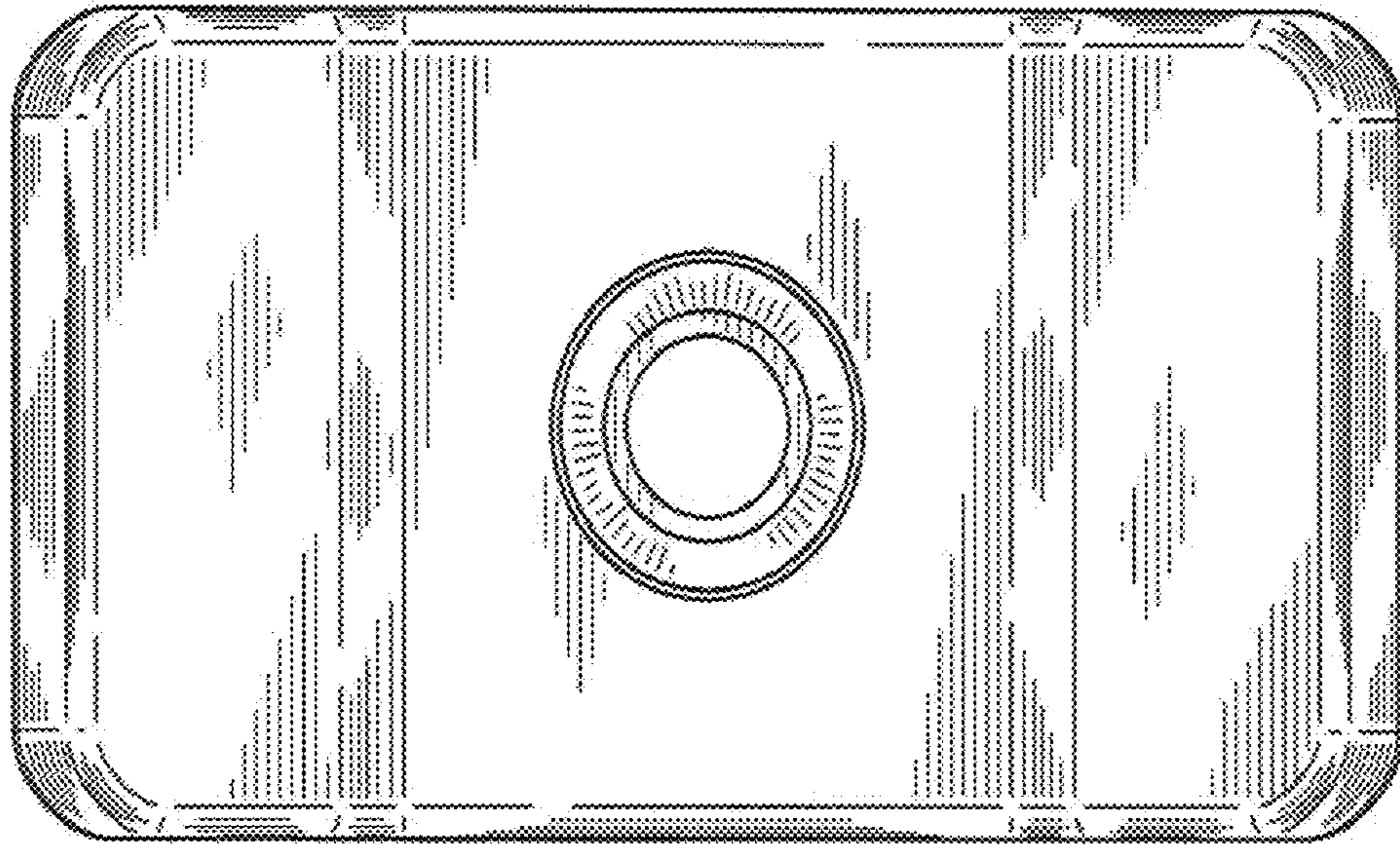


FIG. 4

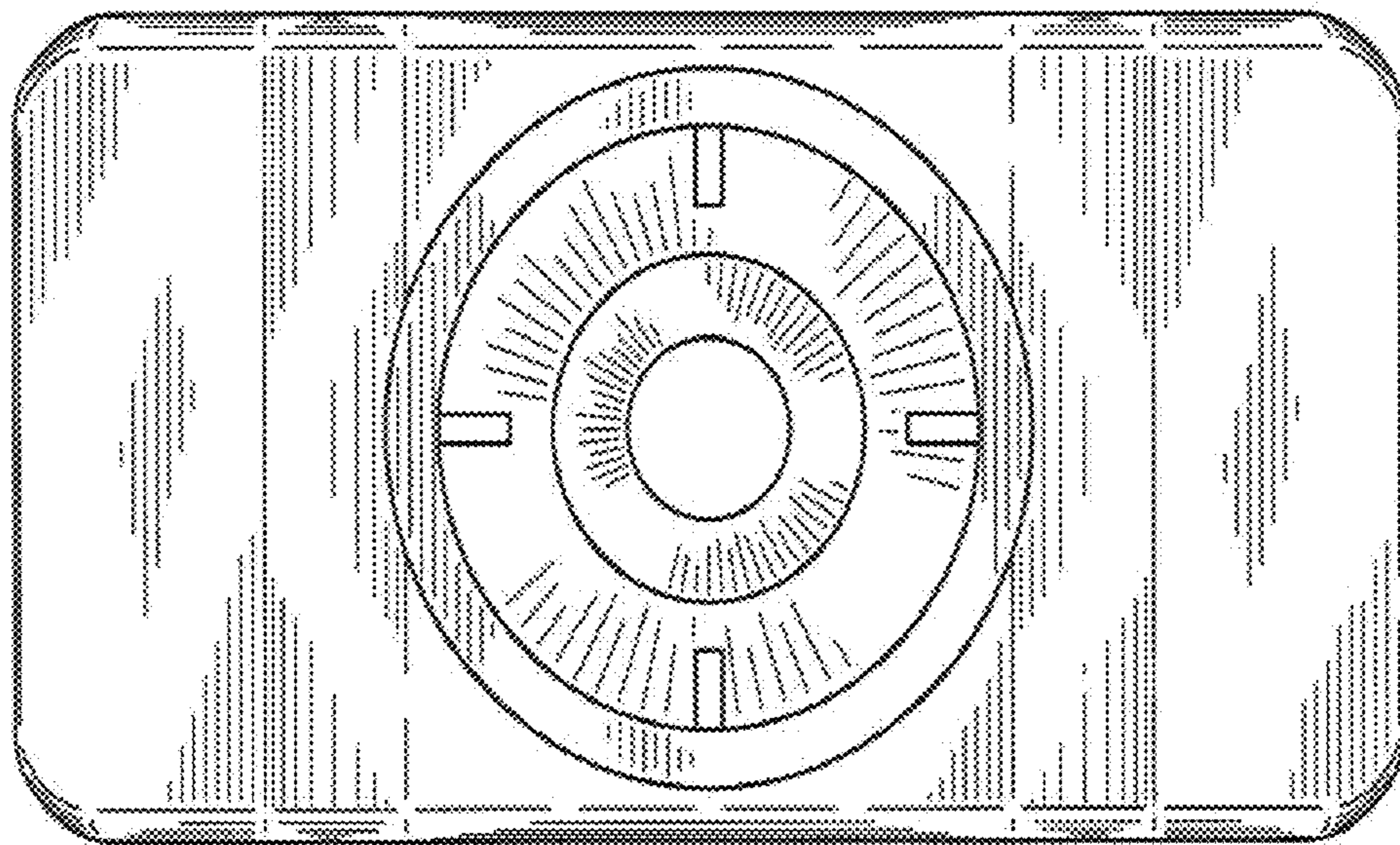


FIG. 5

UNITED STATES PATENT AND TRADEMARK OFFICE  
**CERTIFICATE OF CORRECTION**

PATENT NO. : D673,850 S  
APPLICATION NO. : 29/405345  
DATED : January 8, 2013  
INVENTOR(S) : Michael Wadt

Page 1 of 1

It is certified that error appears in the above-identified patent and that said Letters Patent is hereby corrected as shown below:

On the title page, item no. 73 should read:

Assignee: Hygiene Vision Ltd., Stamford, Lincolnshire (GB)

Signed and Sealed this  
Fifth Day of November, 2013



Teresa Stanek Rea  
*Deputy Director of the United States Patent and Trademark Office*

UNITED STATES PATENT AND TRADEMARK OFFICE  
**CERTIFICATE OF CORRECTION**

PATENT NO. : D673,850 S  
APPLICATION NO. : 29/405345  
DATED : January 8, 2013  
INVENTOR(S) : Michael Wadt

Page 1 of 1

It is certified that error appears in the above-identified patent and that said Letters Patent is hereby corrected as shown below:

On the title page, item (75) Inventor

“Michael Wadt, Jylinge (DK)”

should read as follows:

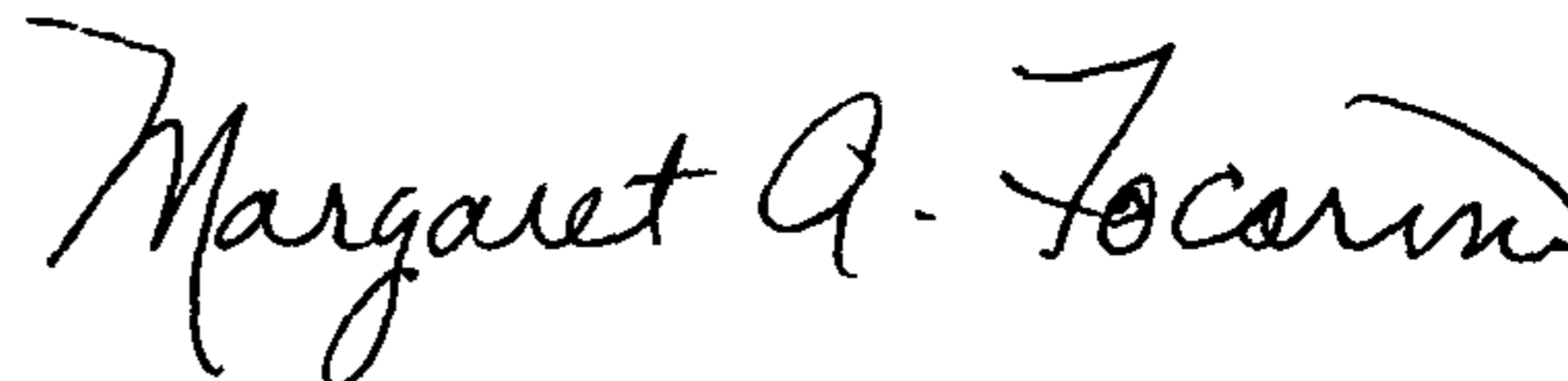
--Michael Wadt, Jyllinge (DK)--

On the title page, item (73) should read:

--Assignee: Hygiene Vision Ltd., Stamford, Lincolnshire (GB)--

This certificate supersedes the Certificate of Correction issued November 5, 2013.

Signed and Sealed this  
Tenth Day of December, 2013



Margaret A. Focarino  
*Commissioner for Patents of the United States Patent and Trademark Office*