



US00D673848S

(12) **United States Design Patent**  
**Bailey et al.**

(10) **Patent No.:** **US D673,848 S**  
(45) **Date of Patent:** **\*\* Jan. 8, 2013**

- (54) **CONTAINER**
- (75) Inventors: **Ryan A. Bailey**, Richmond, VA (US);  
**Caleb Loftin**, Richmond, VA (US)
- (73) Assignee: **R.J. Reynolds Tobacco Company**,  
Winston-Salem, NC (US)
- (\*\*) Term: **14 Years**
- (21) Appl. No.: **29/408,137**
- (22) Filed: **Dec. 7, 2011**
- (51) **LOC (9) Cl.** ..... **09-03**
- (52) **U.S. Cl.** ..... **D9/428**
- (58) **Field of Classification Search** ..... 206/236–276;  
D9/504, 420, 423–428, 430–433, 737, 738,  
D9/759, 770; D27/105, 172, 183–194; 131/329  
See application file for complete search history.

D625,178 S *	10/2010	Bailey et al.	.....	D9/422
D630,505 S	1/2011	Westemeyer et al.		
7,946,450 B2 *	5/2011	Gelardi et al.	.....	221/154
D640,131 S	6/2011	Gibson et al.		
D646,159 S	10/2011	Bellamah et al.		
D646,966 S	10/2011	Gill et al.		
D650,267 S *	12/2011	Gibson et al.	.....	D9/428
D650,268 S	12/2011	Gibson et al.		
8,096,411 B2 *	1/2012	Bailey et al.	.....	206/1.5
D665,253 S *	8/2012	Bellamah et al.	.....	D9/424
2009/0266837 A1 *	10/2009	Gelardi et al.	.....	221/154
2011/0000931 A1 *	1/2011	Gelardi et al.	.....	221/1
2011/0168712 A1 *	7/2011	Bailey et al.	.....	220/326
2011/0186579 A1 *	8/2011	Bailey et al.	.....	220/495.01

\* cited by examiner

*Primary Examiner* — Thomas Johannes

(74) *Attorney, Agent, or Firm* — Womble Carlyle Sandridge & Rice, LLP

(57) **CLAIM**

The ornamental design for a container, as shown and described.

**DESCRIPTION**

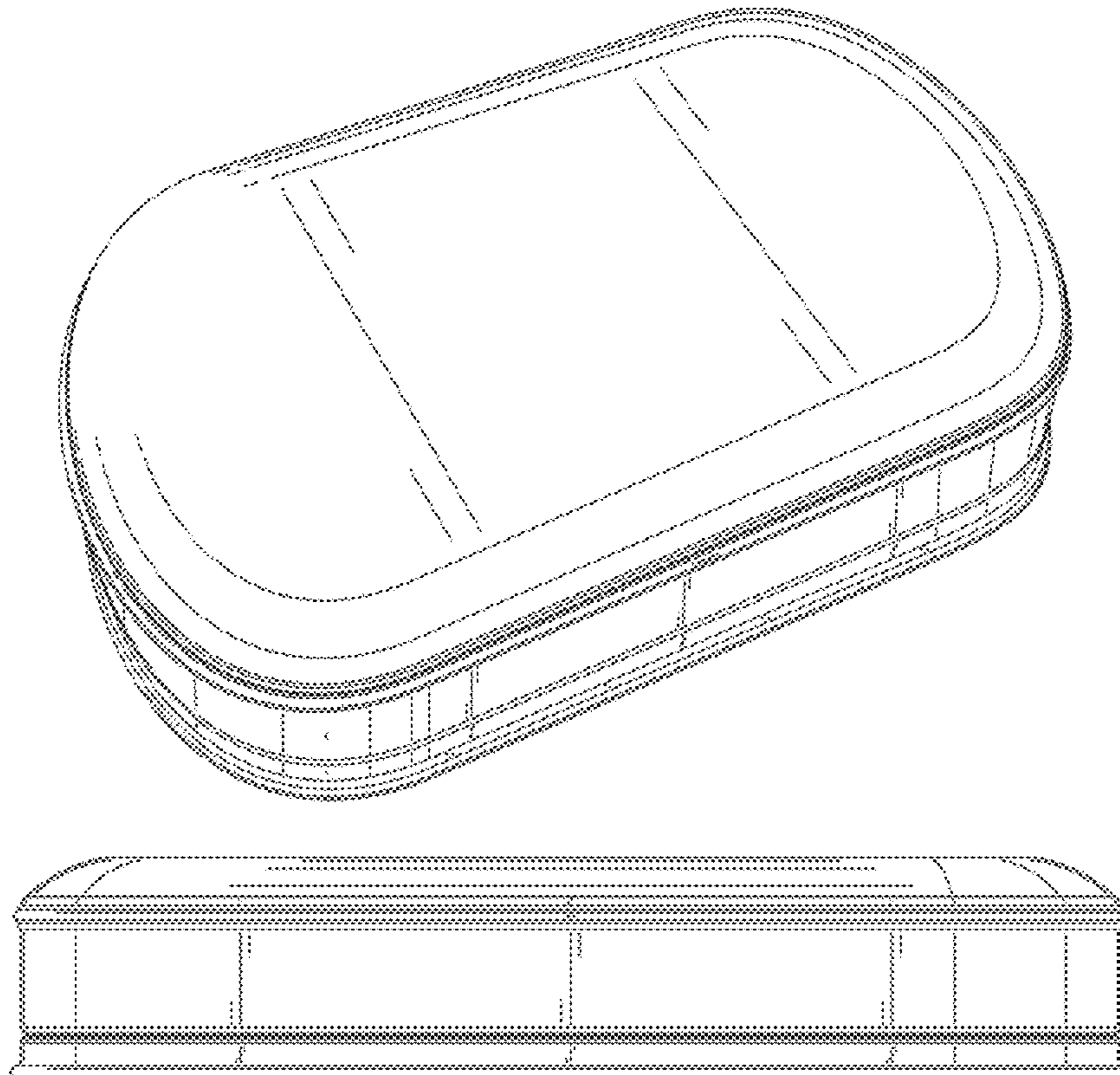
FIG. 1 is a top perspective view of a container showing my new design;  
FIG. 2 is a side view thereof;  
FIG. 3 is an end view thereof; and,  
FIG. 4 is a bottom perspective view thereof.

**1 Claim, 4 Drawing Sheets**

(56) **References Cited**

**U.S. PATENT DOCUMENTS**

D452,148 S *	12/2001	Friedberg	.....	D9/423
D473,462 S *	4/2003	Green et al.	.....	D9/430
D525,120 S *	7/2006	Maskell et al.	.....	D9/428
D592,494 S	5/2009	Wichowski		
D592,498 S	5/2009	Cronin		
D594,154 S	6/2009	Patel et al.		
D600,855 S	9/2009	Krohn		
D612,094 S	3/2010	Bellamah et al.		



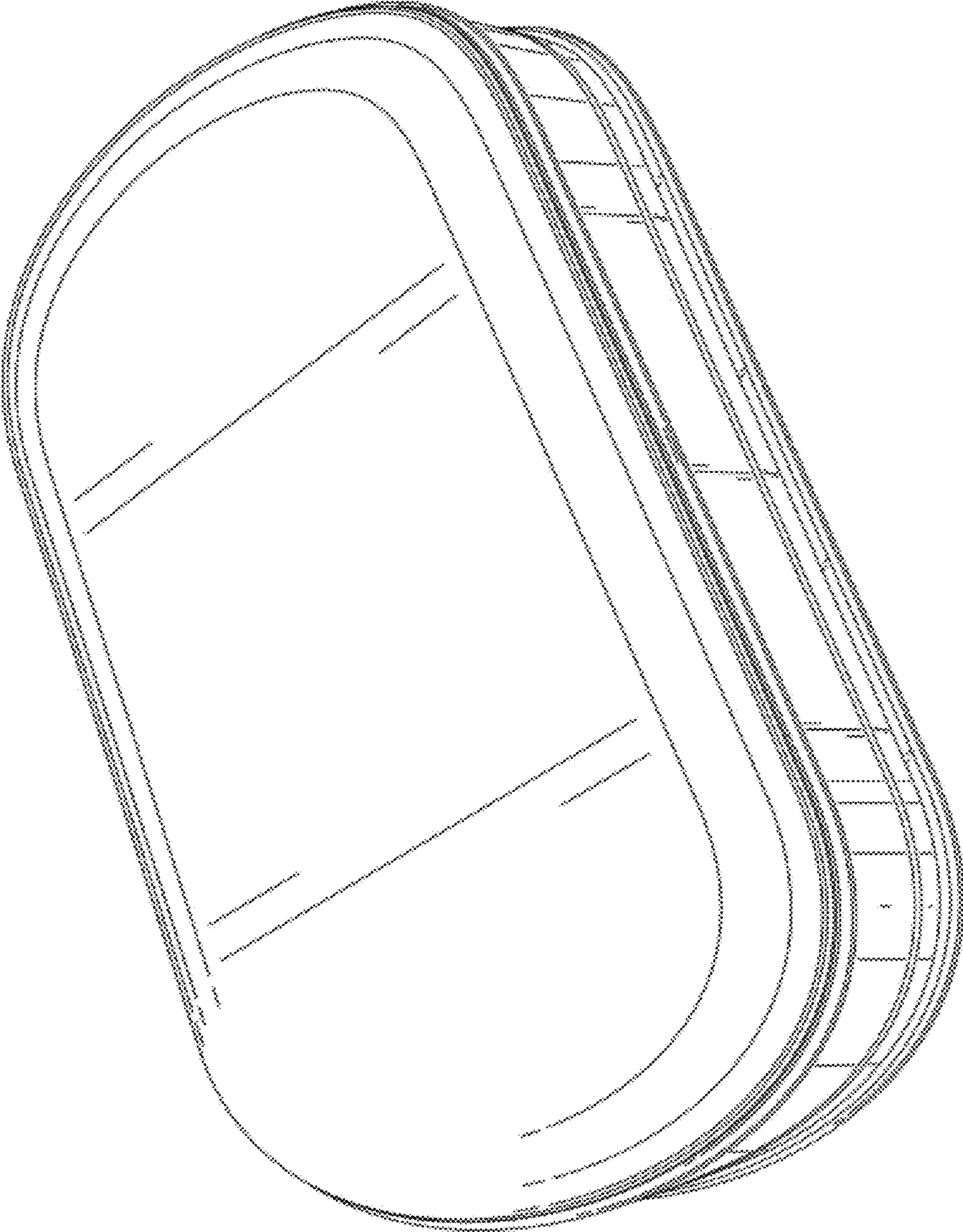


FIG. 1



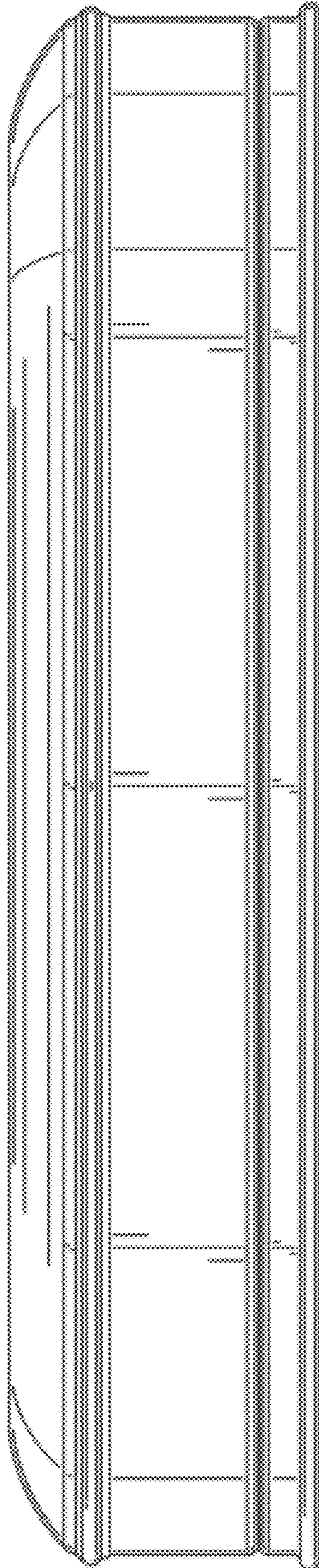


FIG. 2

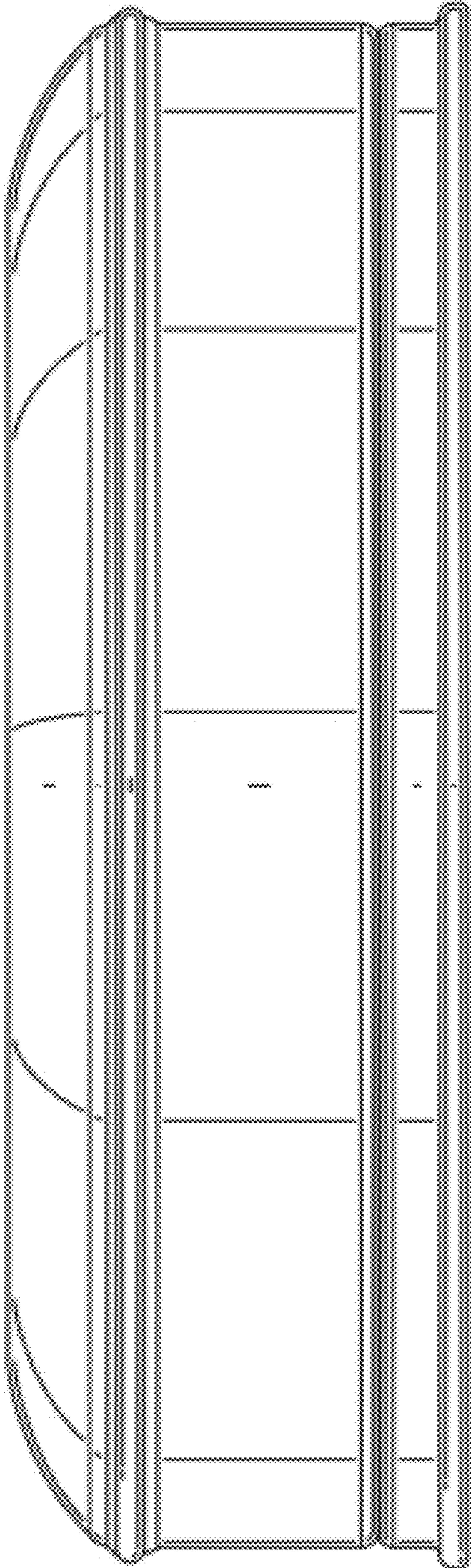


FIG. 3



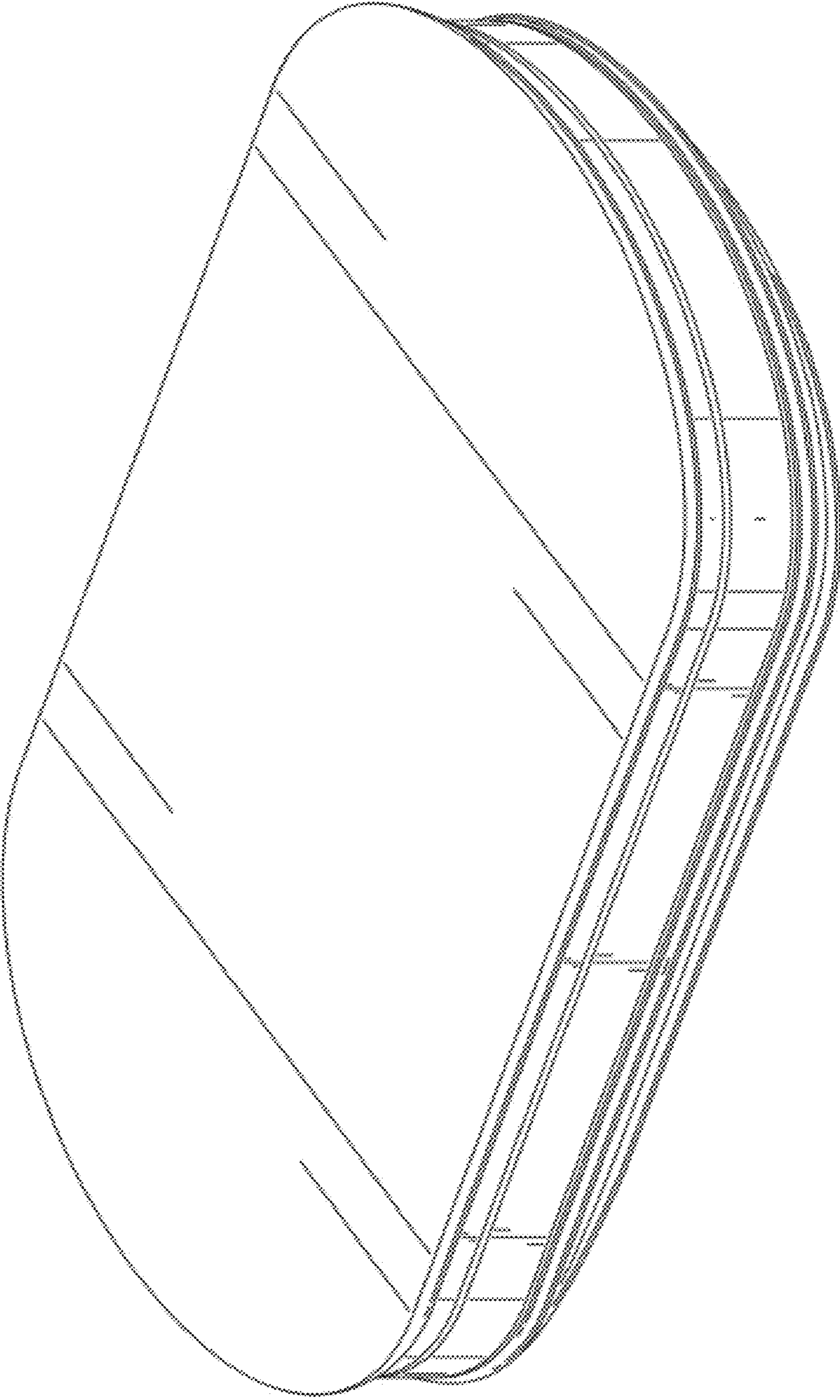


FIG. 4