



US00D673847S

(12) **United States Design Patent**
Barbier

(10) **Patent No.:** **US D673,847 S**

(45) **Date of Patent:** **** Jan. 8, 2013**

(54) **COMBINED CONTAINER AND LID**

(75) **Inventor:** **Marco Barbier**, Dover, MA (US)

(73) **Assignee:** **EASYPAK LLC, a Massachusetts limited liability company**, Leominster, MA (US)

(**) **Term:** **14 Years**

(21) **Appl. No.:** **29/398,484**

(22) **Filed:** **Aug. 1, 2011**

(51) **LOC (9) Cl.** **09-03**

(52) **U.S. Cl.** **D9/420**

(58) **Field of Classification Search** D9/414-416, D9/418-421, 423-428, 430-432, 434; D3/302, D3/314; 206/119, 464, 470, 508, 545, 806; 220/4.22-4.24, 574, 604-608, 659, 675, 220/781-782, 793, 835, 839, DIG. 14; 229/406, 229/407, 902; D7/396.1, 392.1, 394, 538, D7/543-545, 550.1, 551, 554.3, 587, 566, D7/584, 586, 629, 667; 221/191; D23/355-366; 219/725, 735

See application file for complete search history.

(56) **References Cited**

U.S. PATENT DOCUMENTS

3,082,903	A *	3/1963	Stevens et al.	220/833
D327,220	S *	6/1992	Proffitt et al.	D9/423
D332,917	S *	2/1993	McDevitt et al.	D9/423
D354,436	S *	1/1995	Krupa	D9/423
D409,484	S *	5/1999	Tasker	D9/423

D419,870	S *	2/2000	Albright et al.	D9/423
D483,664	S *	12/2003	Cadiente	D9/418
7,073,680	B2 *	7/2006	Boback et al.	220/266
D558,045	S *	12/2007	Templeton	D9/420
D645,737	S *	9/2011	Oakes	D9/425
8,091,731	B2 *	1/2012	Kidd et al.	220/788
D654,787	S *	2/2012	Kissner et al.	D9/420
8,261,933	B2 *	9/2012	Kidd et al.	220/835
2009/0223966	A1 *	9/2009	Kidd et al.	220/324

* cited by examiner

Primary Examiner — Thomas Johannes

(74) *Attorney, Agent, or Firm* — Barlow, Josephs & Holmes, Ltd.

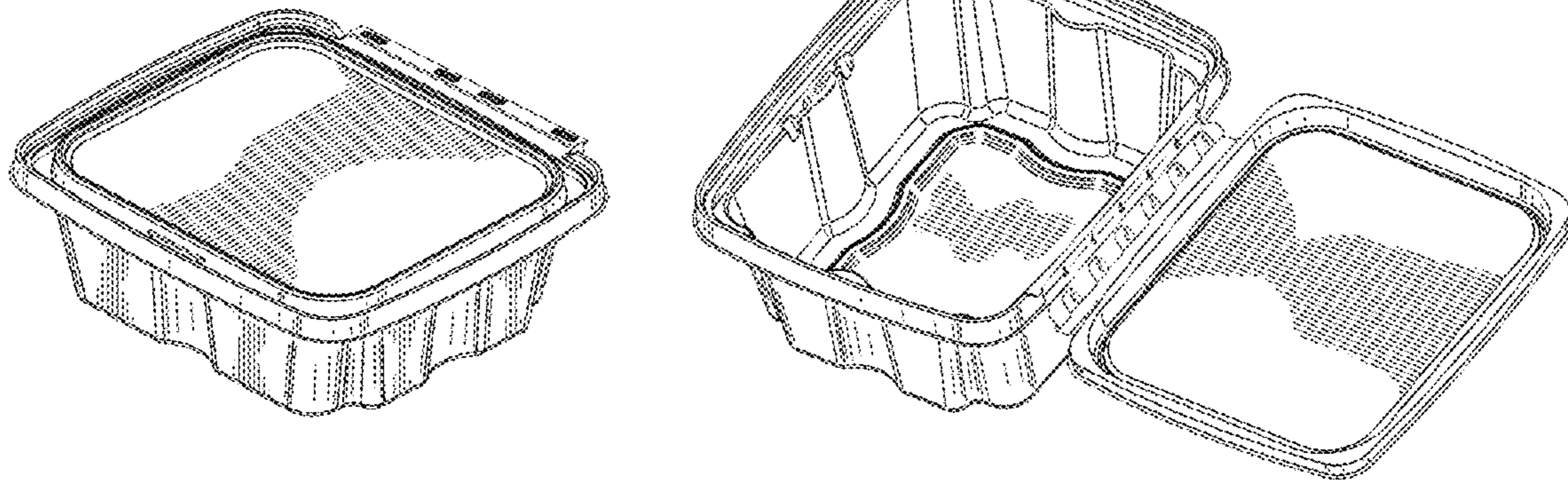
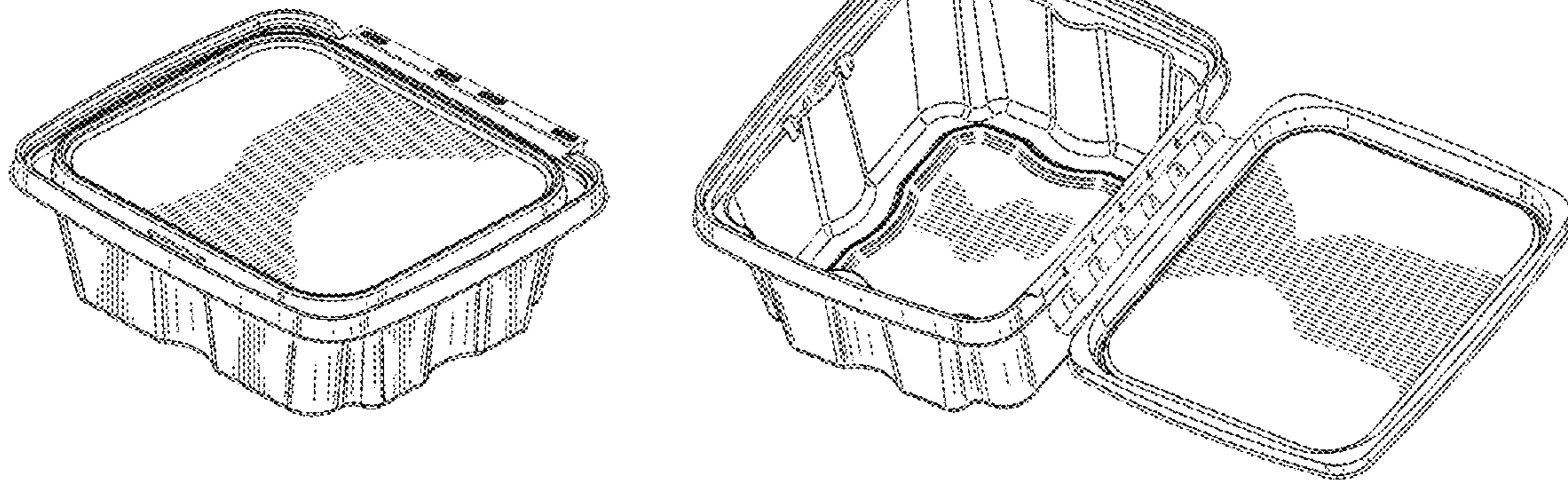
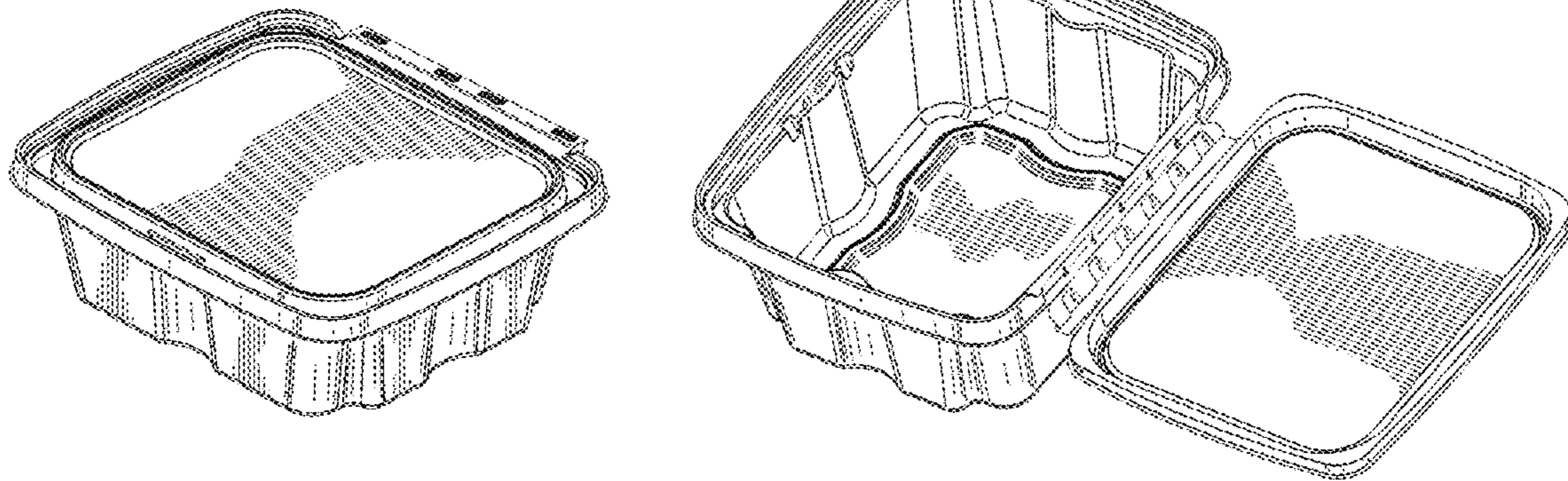
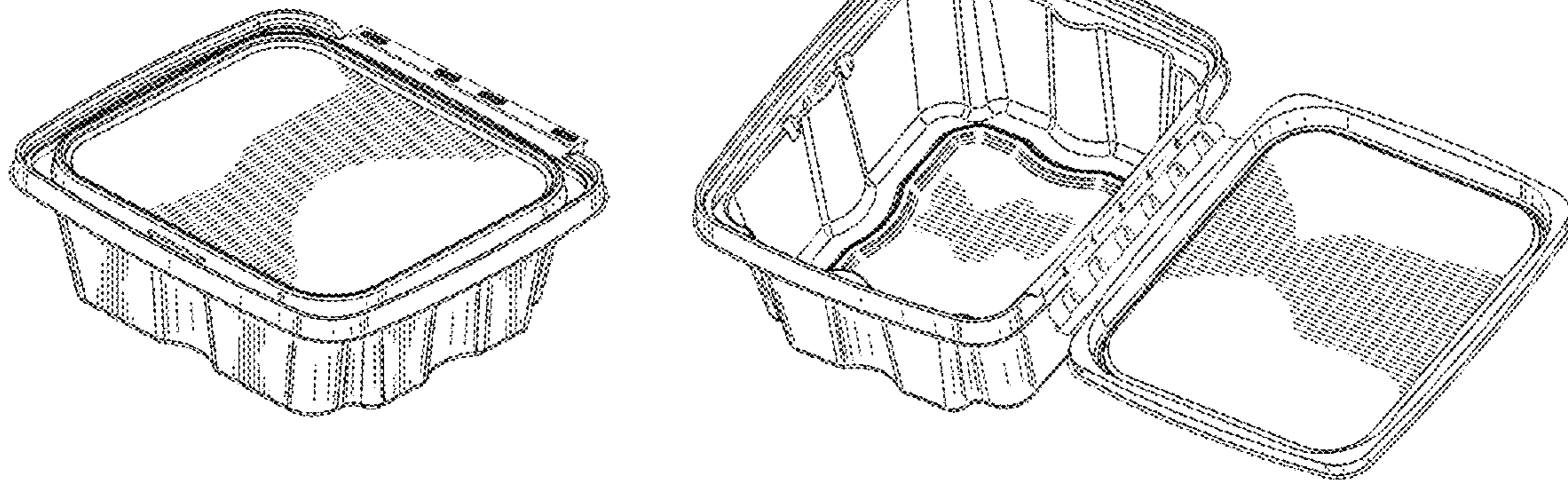
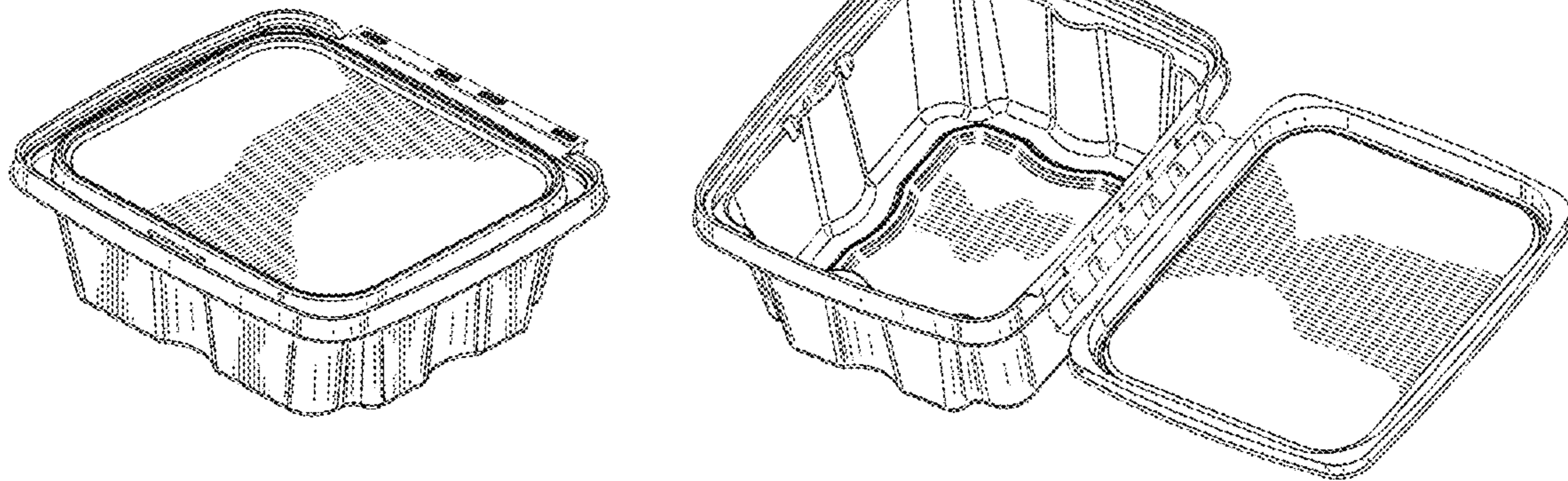
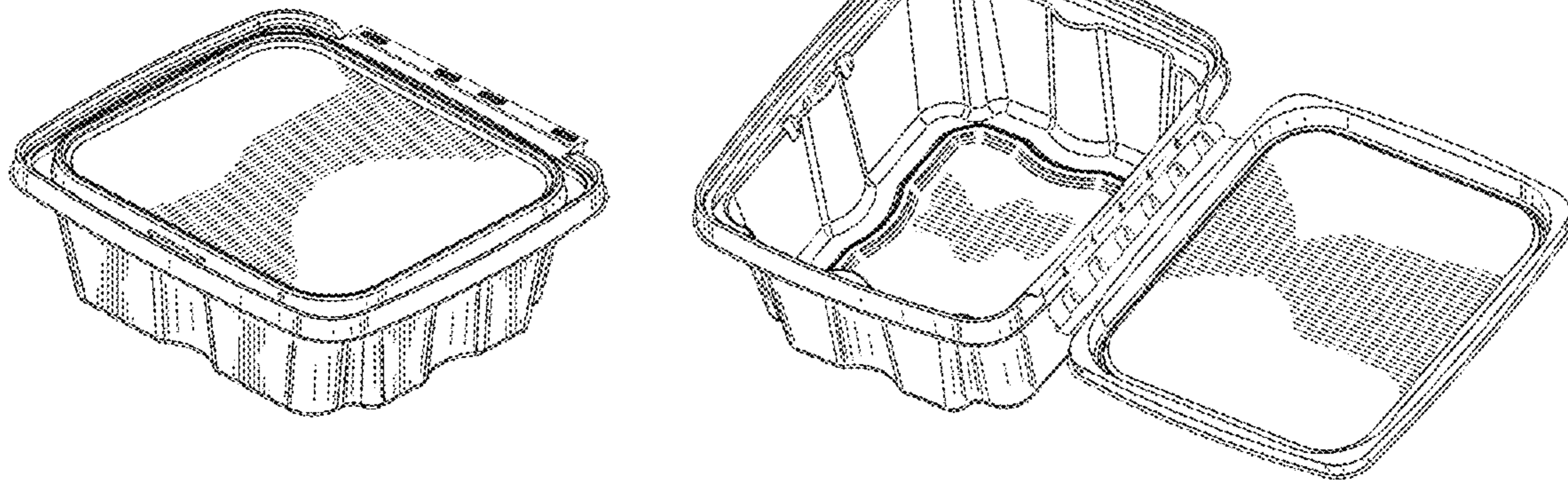
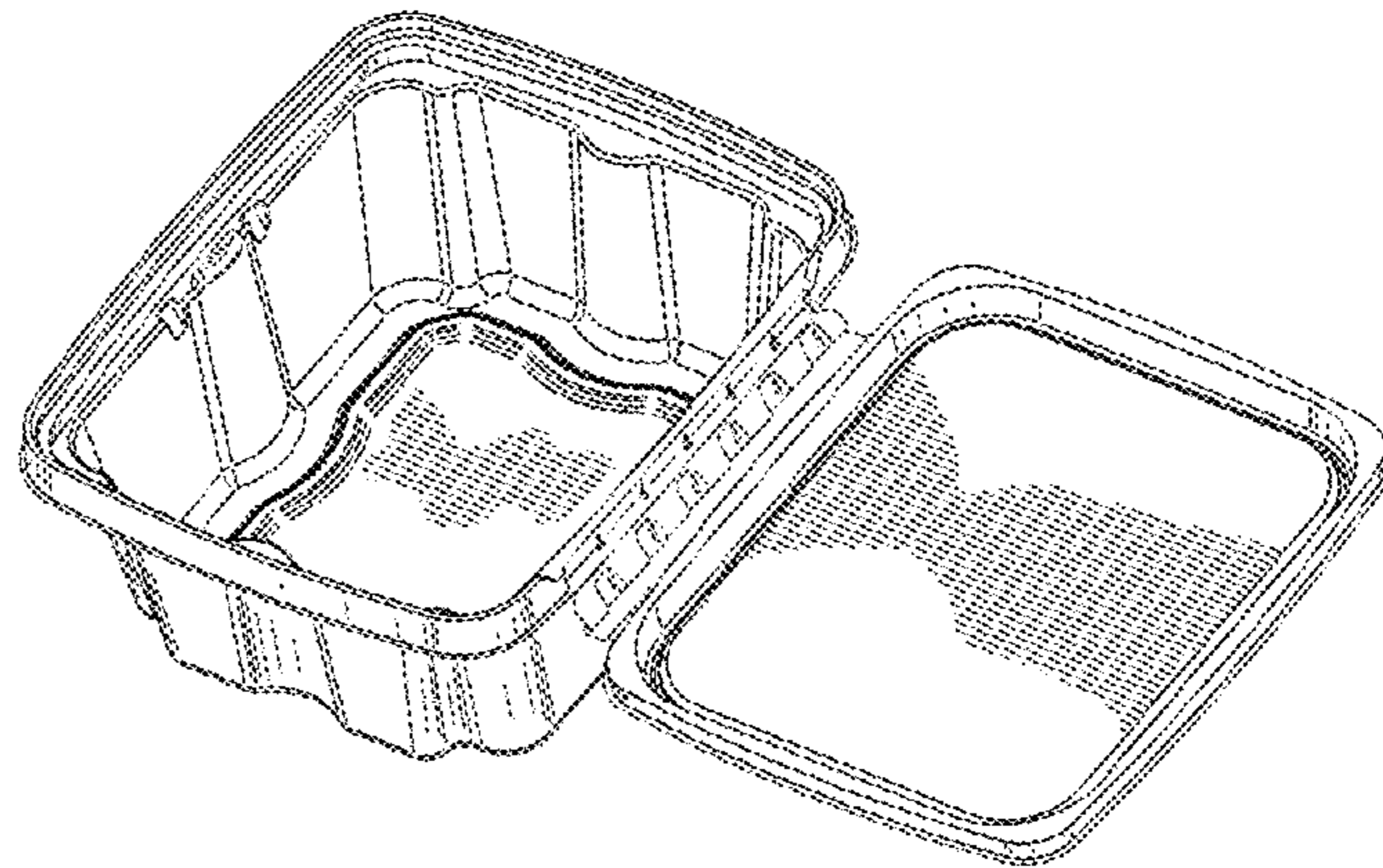
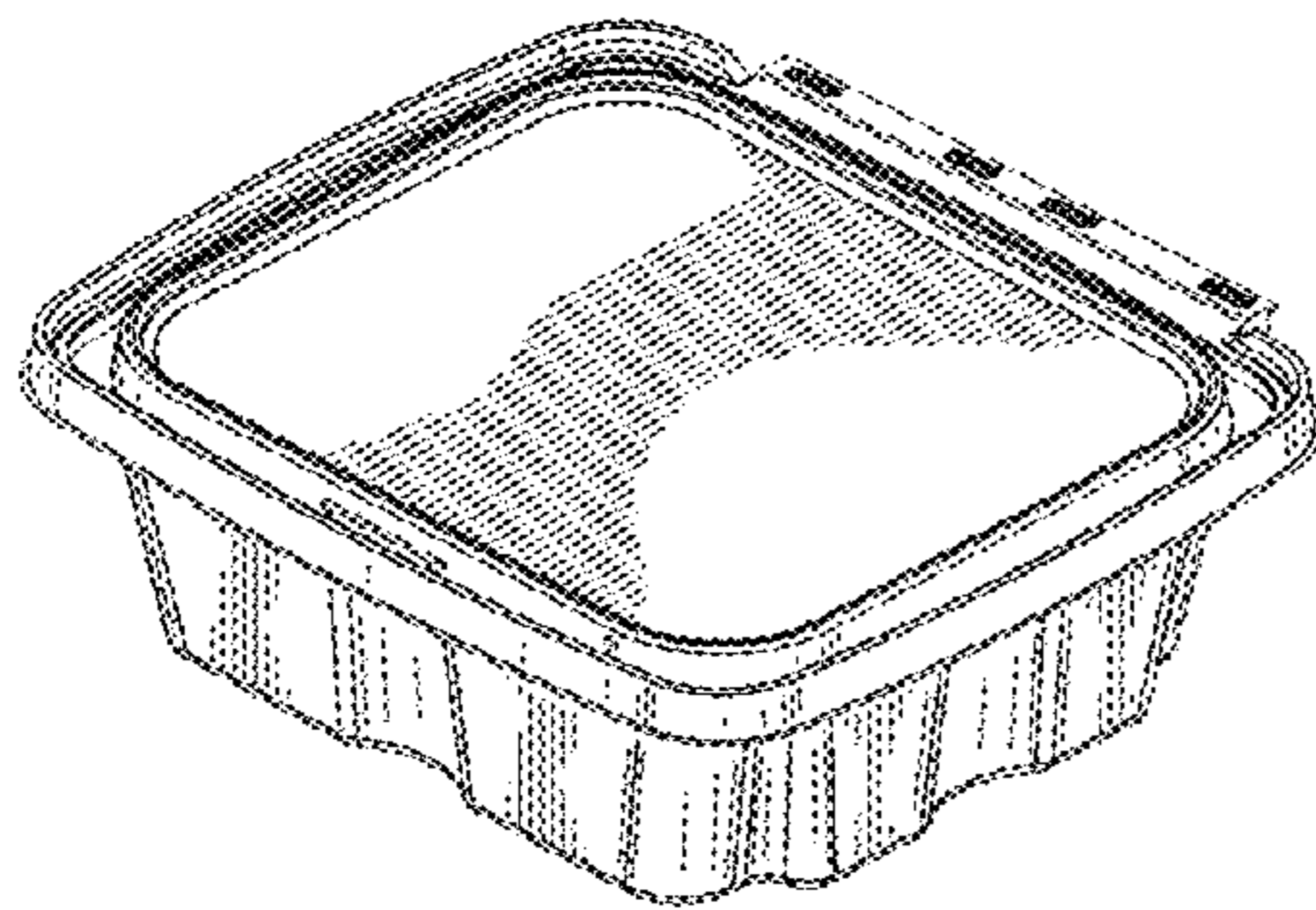
(57) **CLAIM**

The ornamental design for a combined container and lid, as shown and described.³

DESCRIPTION

FIG. 1 is a front perspective view of a combined container and lid showing my new design in a closed condition; FIG. 2 is a rear perspective view thereof; FIG. 3 is a front view thereof; FIG. 4 is a rear view thereof; FIG. 5 is a top view thereof; FIG. 6 is a bottom view thereof; FIG. 7 is a left side view thereof; the right side view being a mirror image thereof; and, FIG. 8 is front perspective view thereof in an open condition.

1 Claim, 8 Drawing Sheets



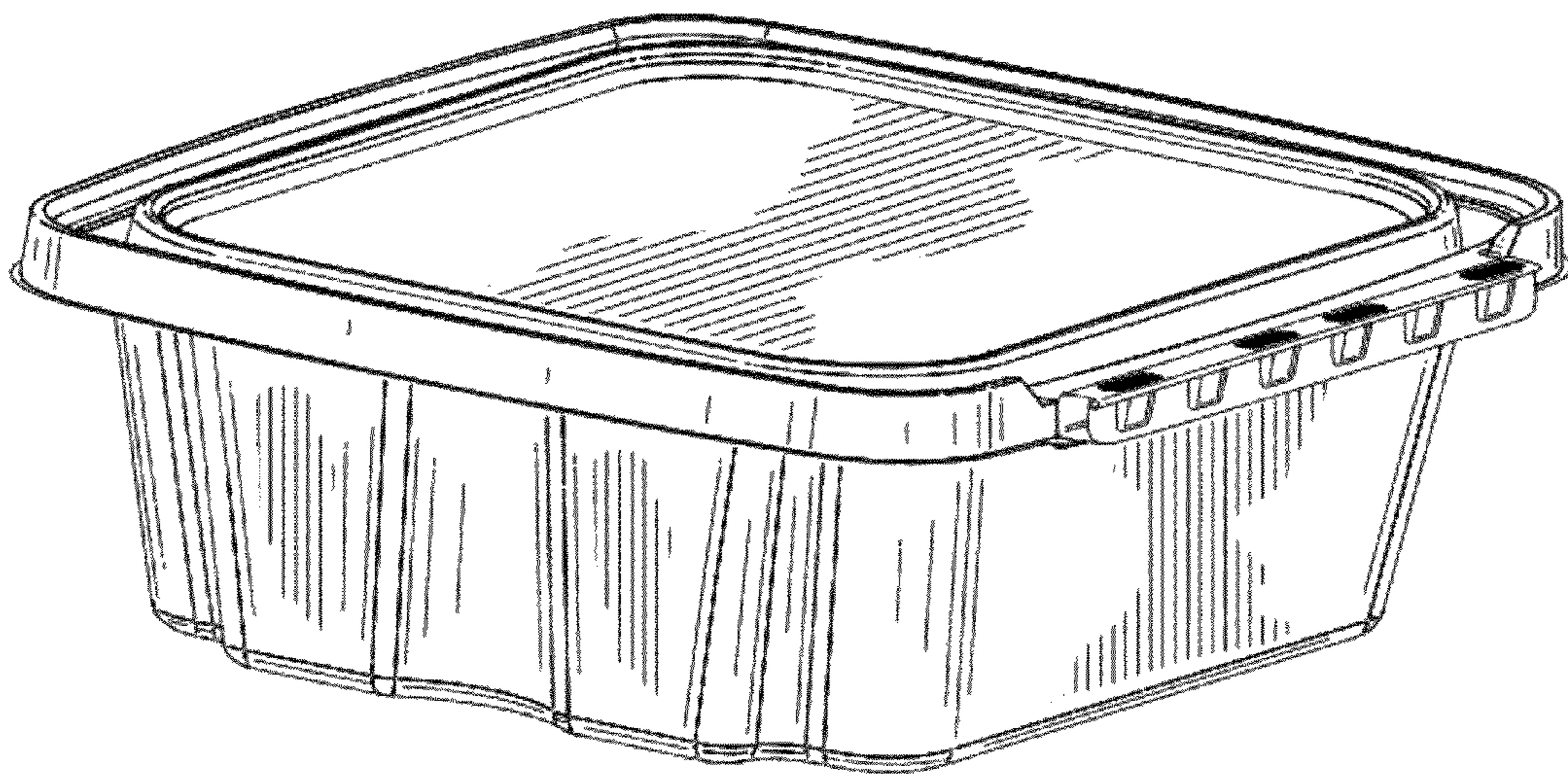


FIG. 1

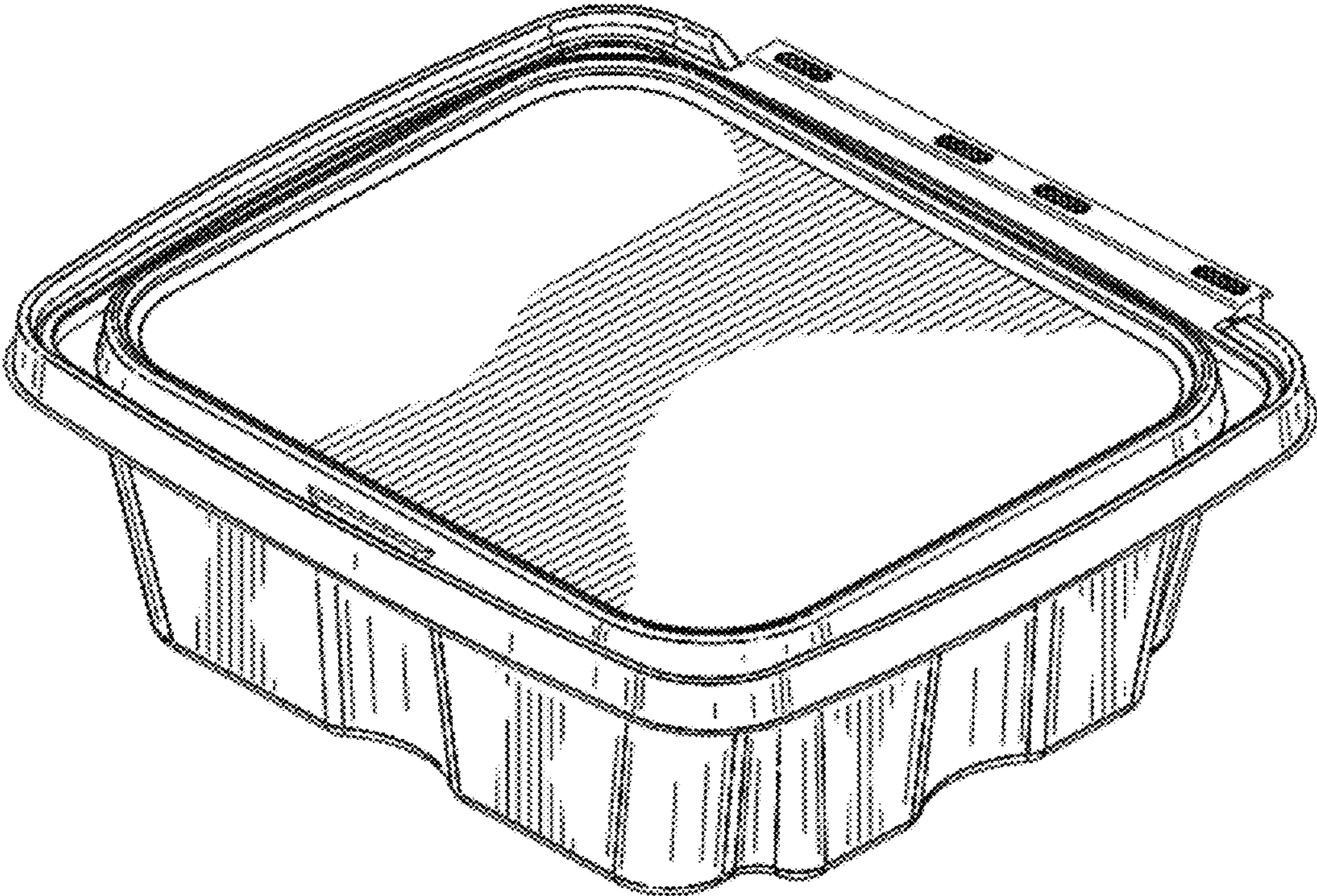


FIG. 2

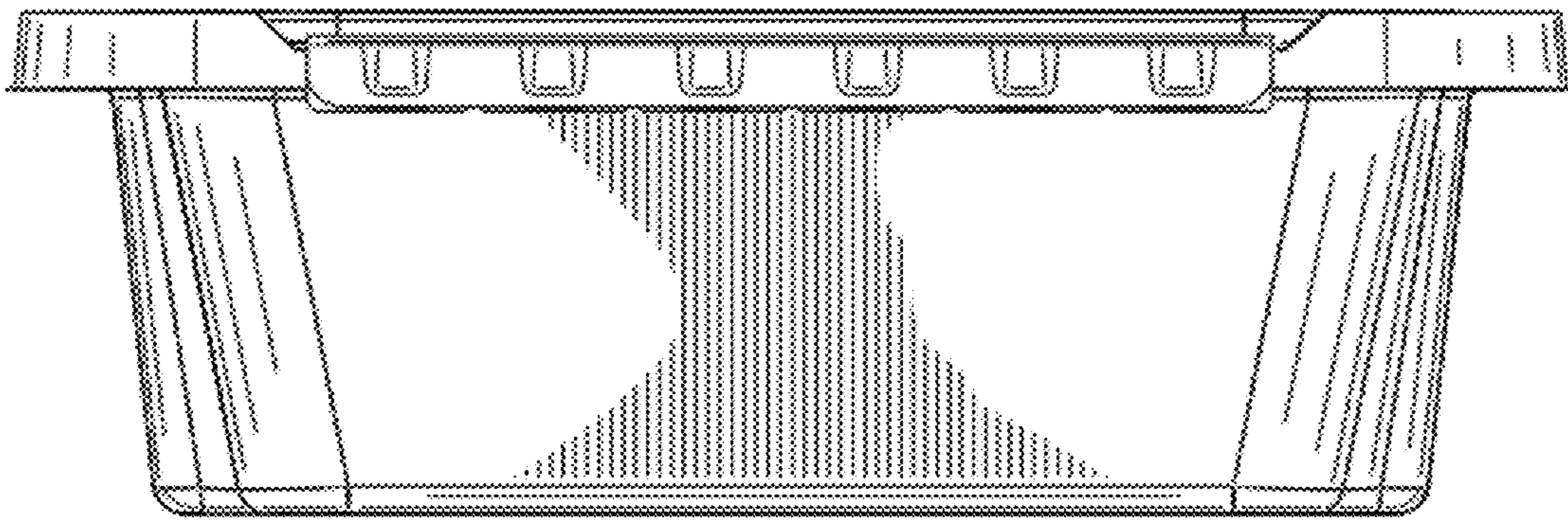


FIG. 3

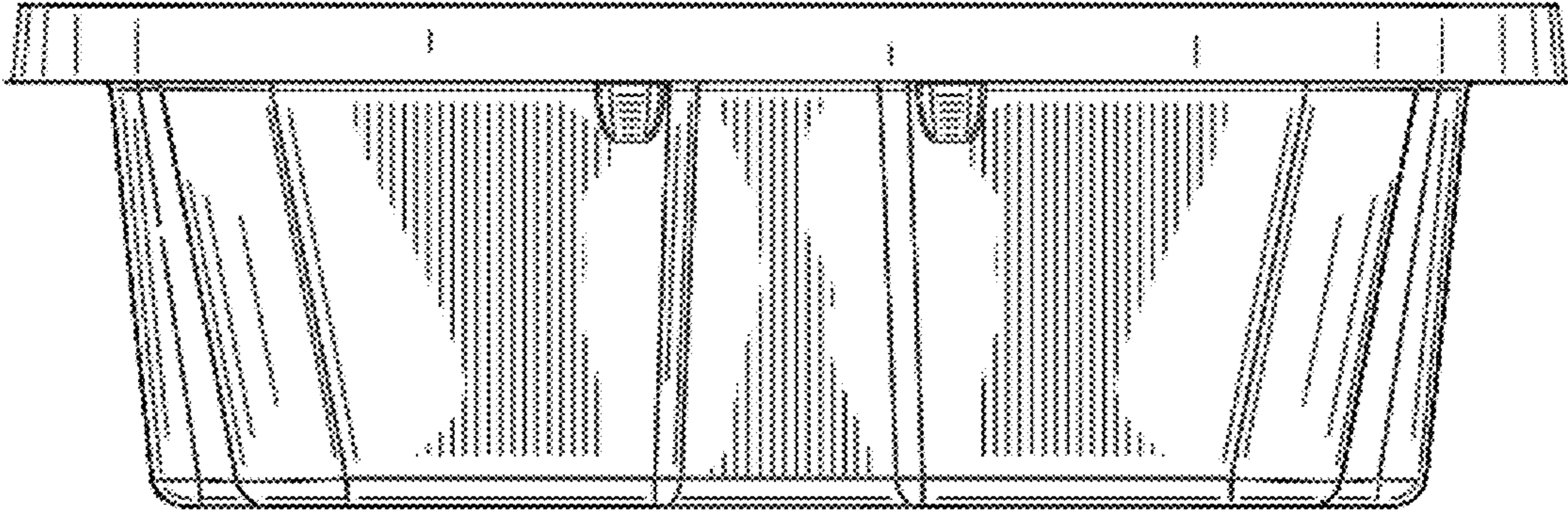


FIG. 4

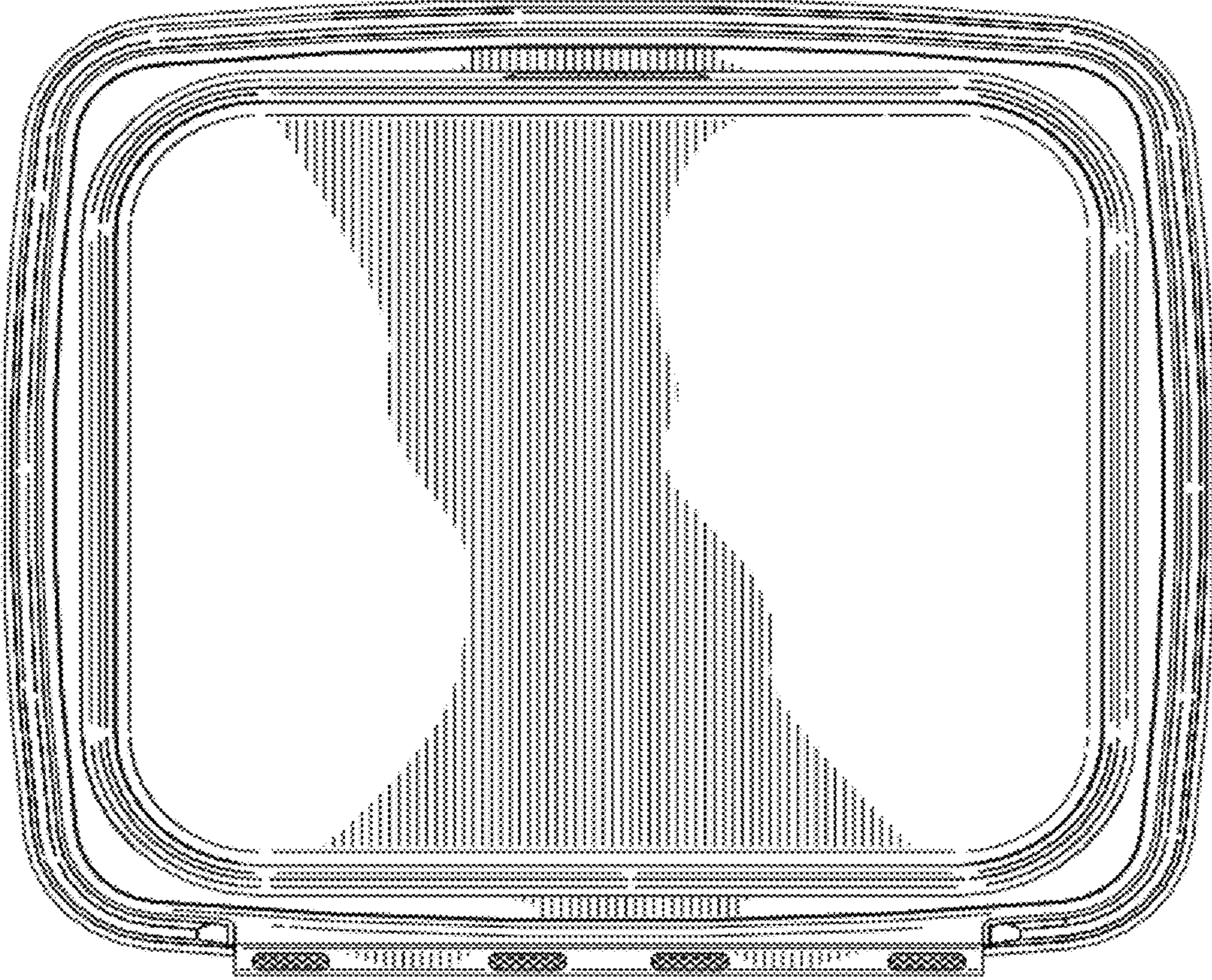


FIG. 5

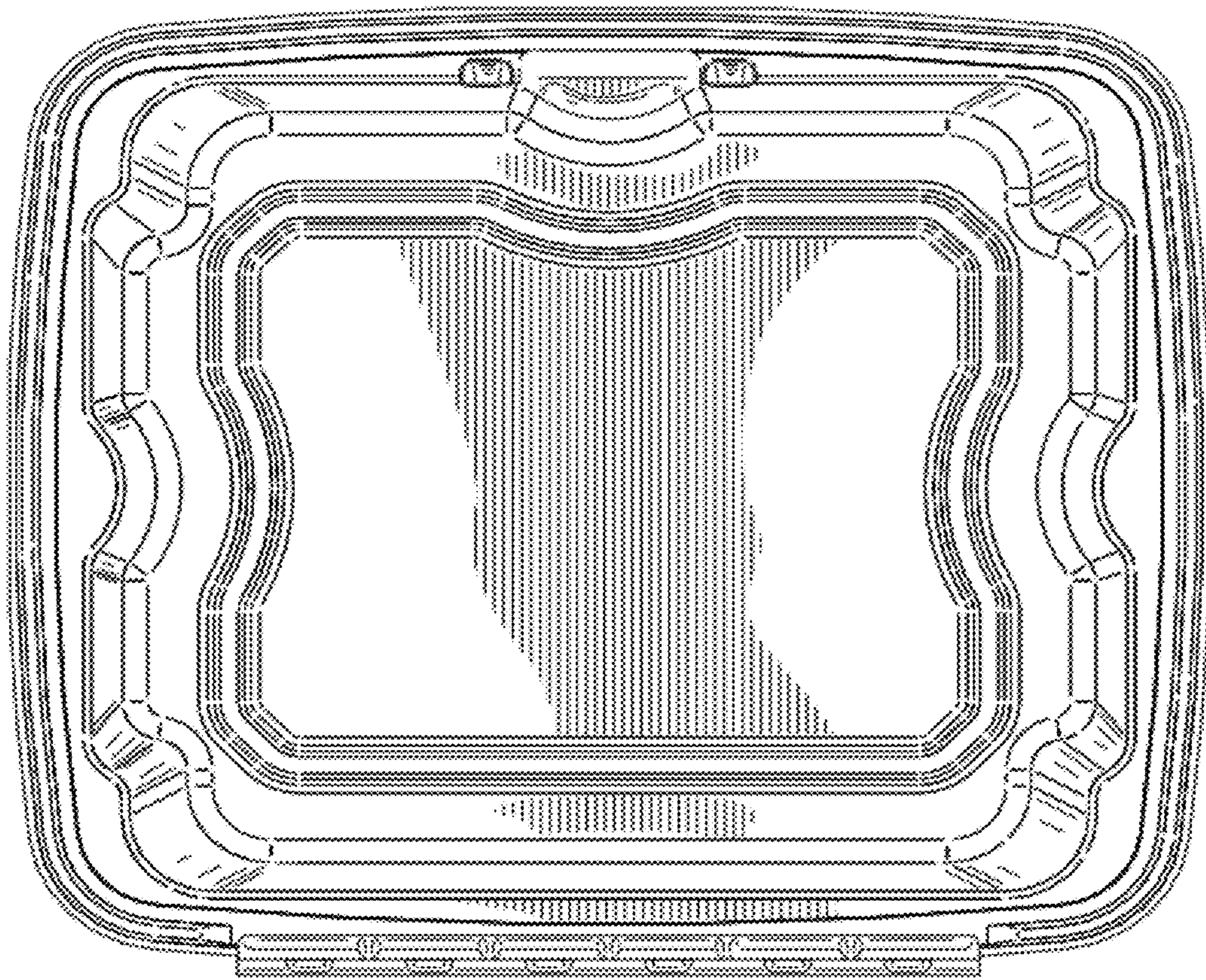


FIG. 6

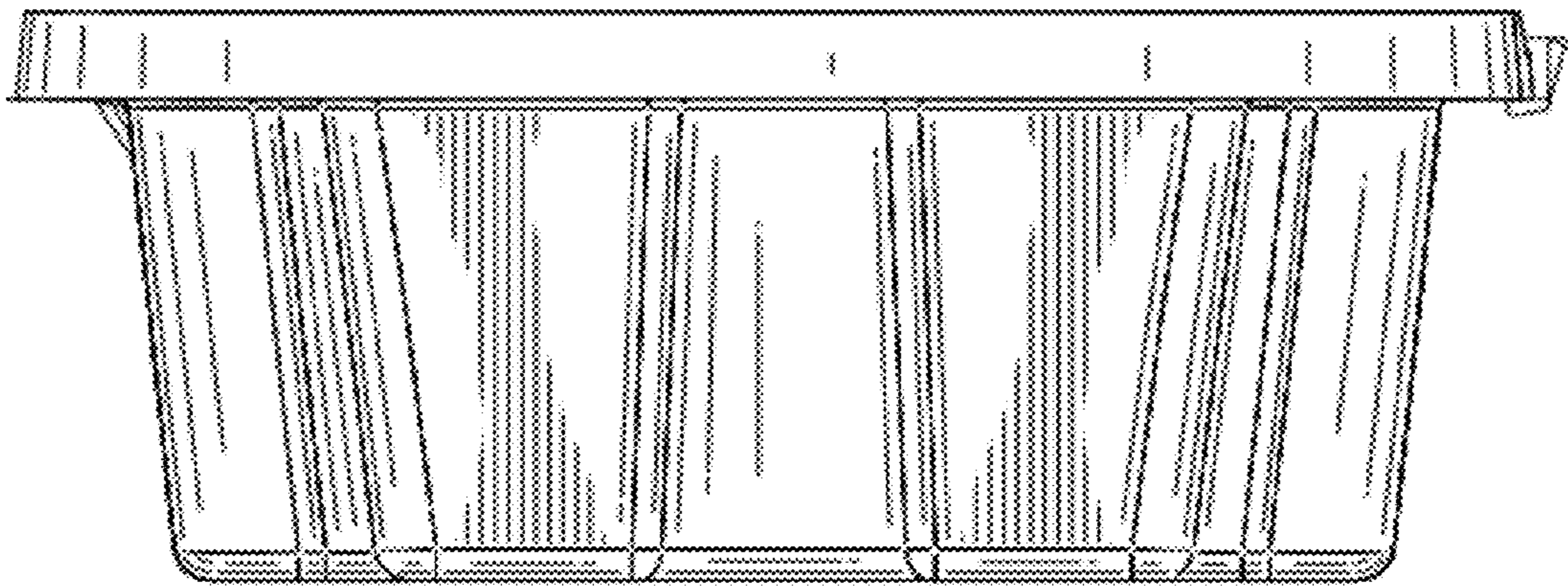


FIG. 7

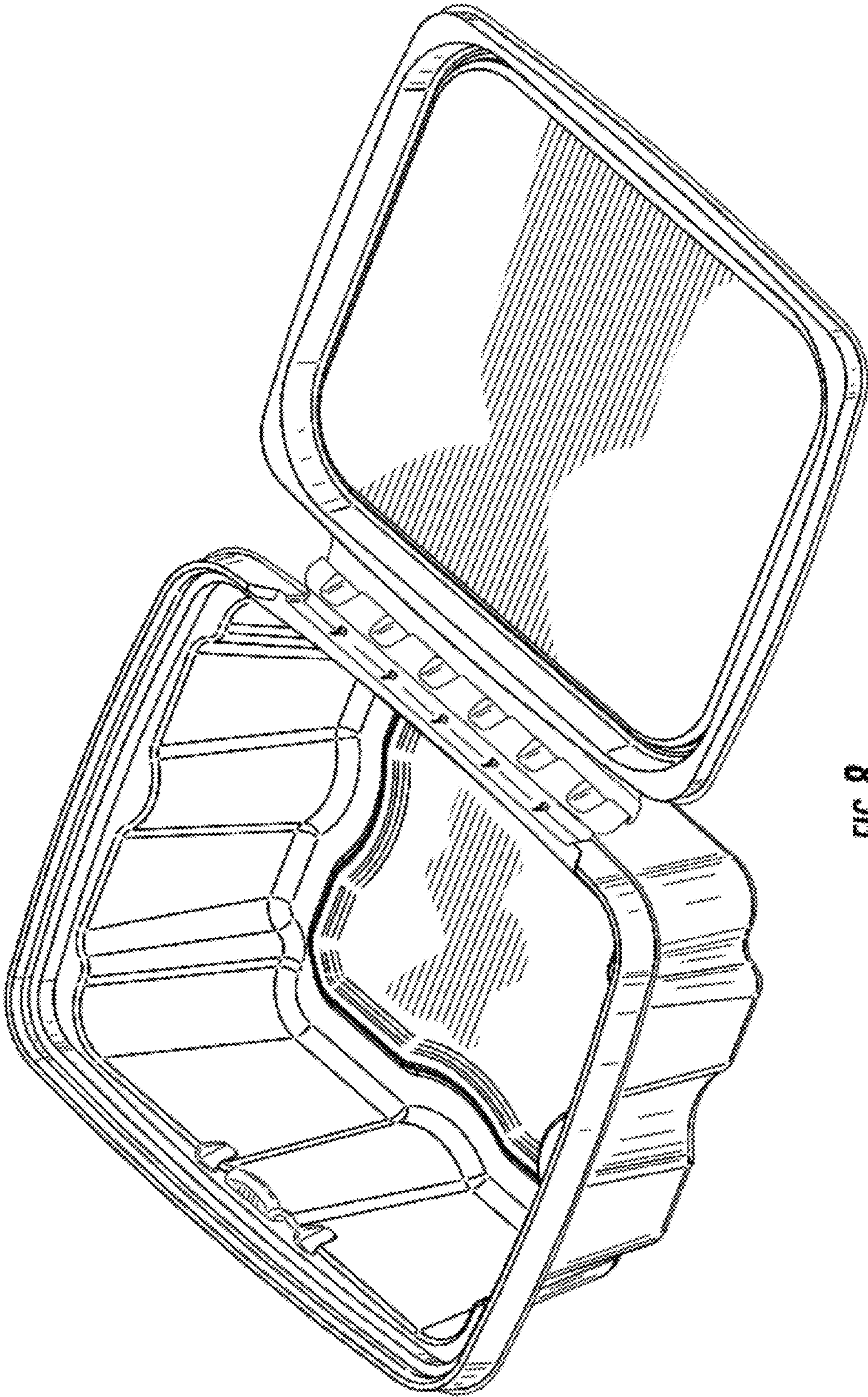


FIG. 8