



US00D673846S

(12) **United States Design Patent**  
**Seman et al.**

(10) **Patent No.:** **US D673,846 S**

(45) **Date of Patent:** **\*\* Jan. 8, 2013**

(54) **LABEL PACK**

(75) Inventors: **Michael R. Seman**, Cranberry Township, PA (US); **Preston L. Anderson**, Cranberry, PA (US)

(73) Assignee: **Honeywell International Inc.**, Morristown, NJ (US)

(\*\*) Term: **14 Years**

(21) Appl. No.: **29/381,290**

(22) Filed: **Dec. 17, 2010**

(51) **LOC (9) Cl.** ..... **09-03**

(52) **U.S. Cl.** ..... **D9/415**

(58) **Field of Classification Search** ..... D9/415,  
D9/418, 414, 428, 341; 206/461–471, 806,  
206/495, 769, 770, 771, 314, 775–778  
See application file for complete search history.

(56) **References Cited**

U.S. PATENT DOCUMENTS

2,269,870	A *	1/1942	Carter	118/236
5,649,624	A *	7/1997	Seaton	206/461
D438,103	S *	2/2001	Edwards et al.	D9/415
6,427,832	B1 *	8/2002	Ali et al.	206/303
D496,268	S *	9/2004	Stamm et al.	D9/415
D501,790	S *	2/2005	Feibelman	D9/415
D546,198	S *	7/2007	Currie et al.	D9/732
D618,997	S *	7/2010	Roesler	D9/415

\* cited by examiner

*Primary Examiner* — Raphael Barkai  
*Assistant Examiner* — Randall Gholson

(74) *Attorney, Agent, or Firm* — Wood, Phillips, Katz, Clark & Mortimer

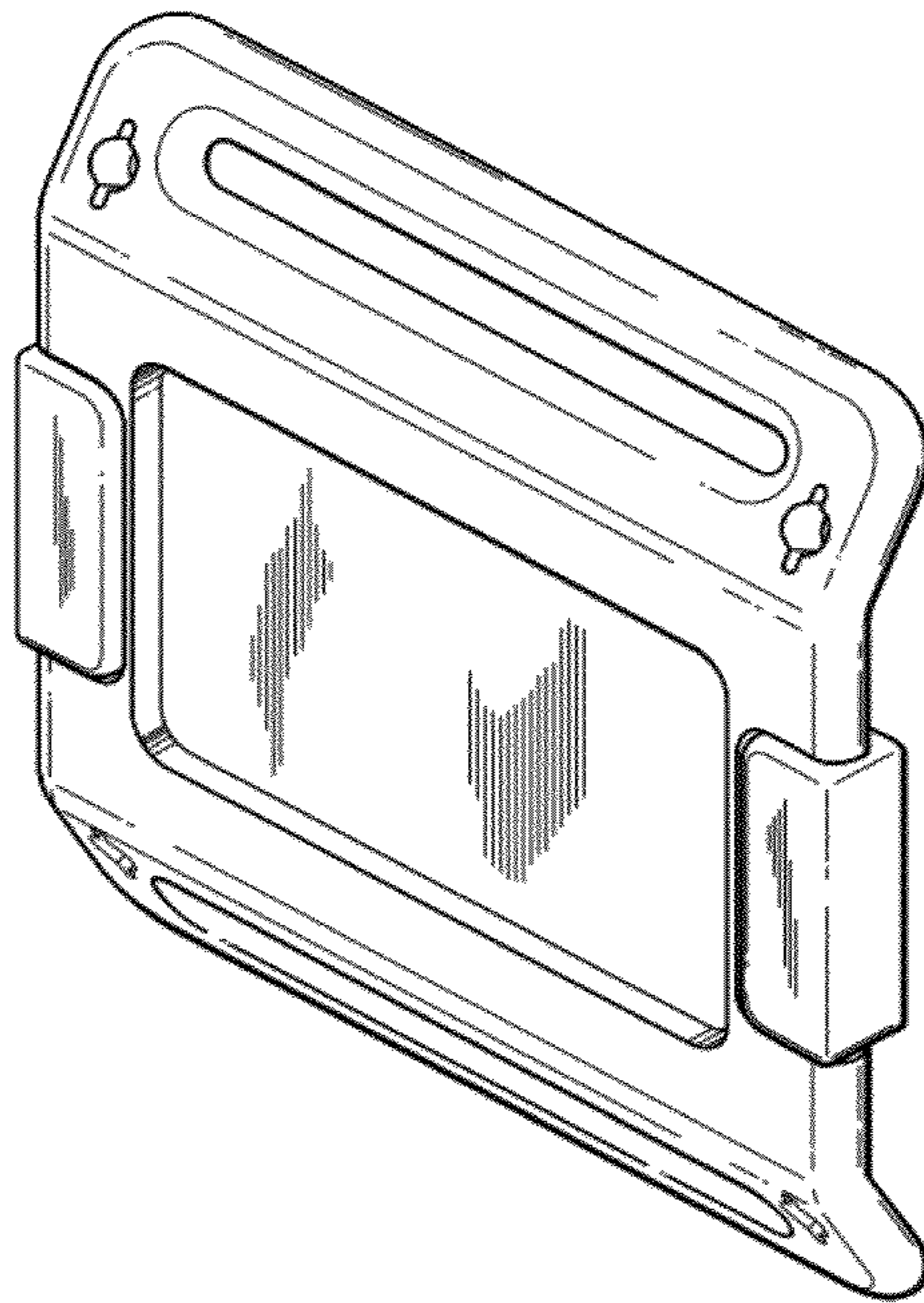
(57) **CLAIM**

The ornamental design for a label pack, as shown and described.

**DESCRIPTION**

FIG. 1 is a top perspective view of a first embodiment of a label pack hereof;  
FIG. 2 is a bottom perspective view of the first embodiment;  
FIG. 3 is a top view of the first embodiment;  
FIG. 4 is a bottom view of the first embodiment;  
FIG. 5 is a first side view of the first embodiment;  
FIG. 6 is a second side view of the first embodiment, opposite the side view of FIG. 5;  
FIG. 7 is a first end view of the first embodiment;  
FIG. 8 is a second end view of the first embodiment, opposite the end view of FIG. 7;  
FIG. 9 is a bottom perspective view of the first embodiment illustrating a label attached to the label pack in broken lines.  
FIG. 10 is a top perspective view of a second embodiment of a label pack hereof;  
FIG. 11 is a bottom perspective view of the second embodiment;  
FIG. 12 is a top view of the second embodiment;  
FIG. 13 is a bottom view of the second embodiment;  
FIG. 14 is a first side view of the second embodiment;  
FIG. 15 is a second side view of the second embodiment, opposite the side view of FIG. 14;  
FIG. 16 is a first end view of the second embodiment; and,  
FIG. 17 is a second end view of the second embodiment, opposite the end view of FIG. 16.  
The broken lines shown in FIG. 9 form no part of the claimed design.

**1 Claim, 11 Drawing Sheets**



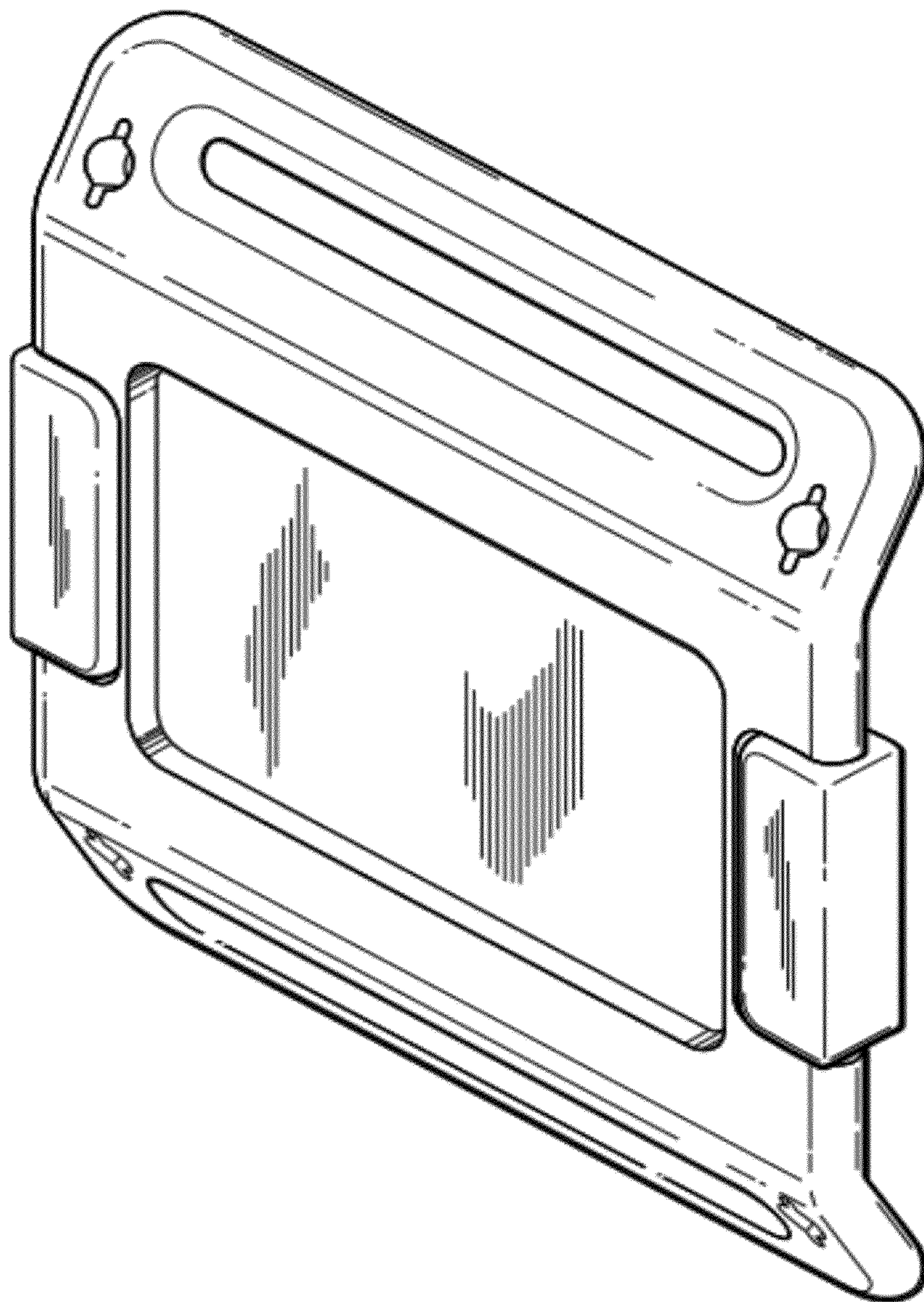


FIG. 1

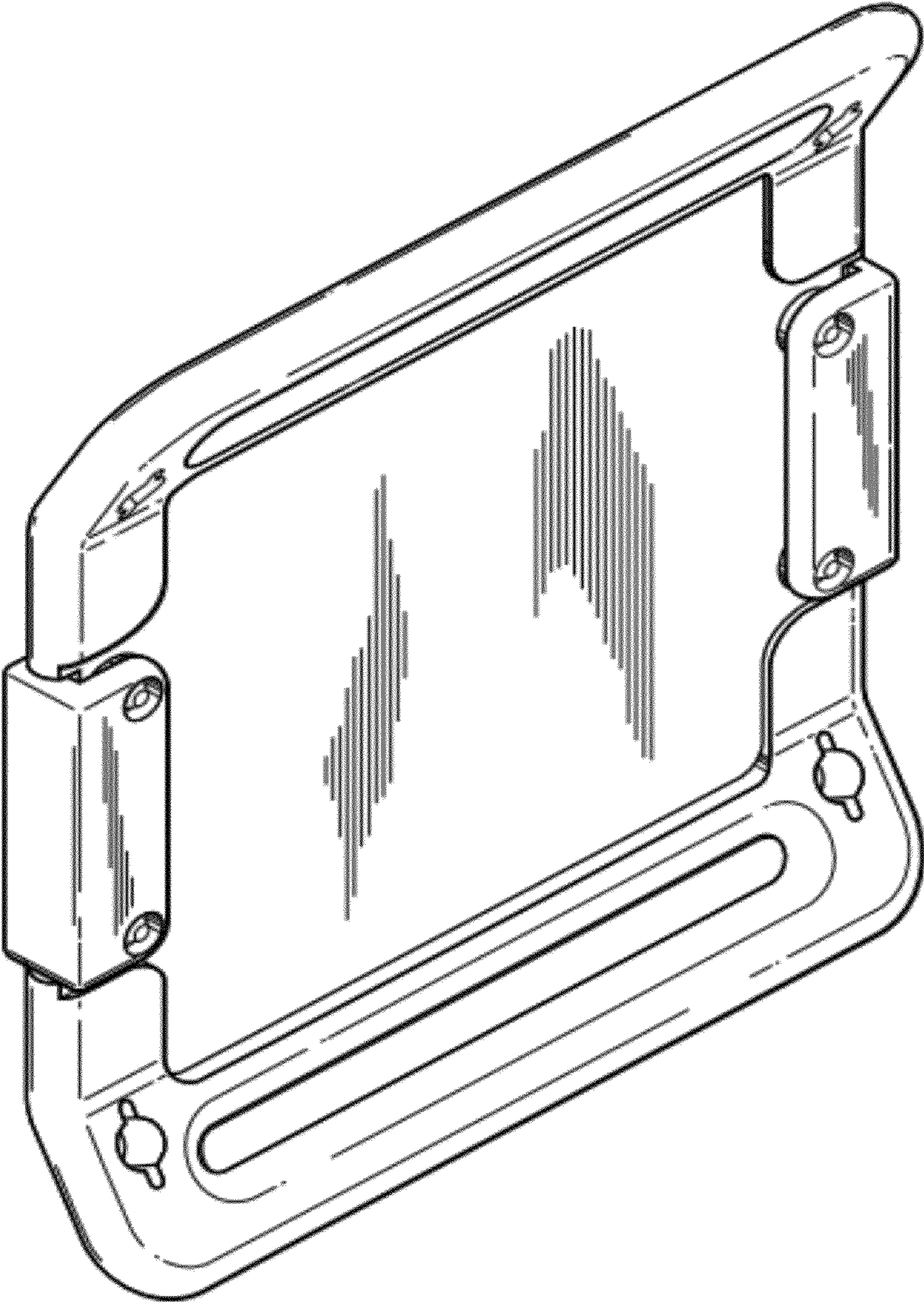


FIG. 2

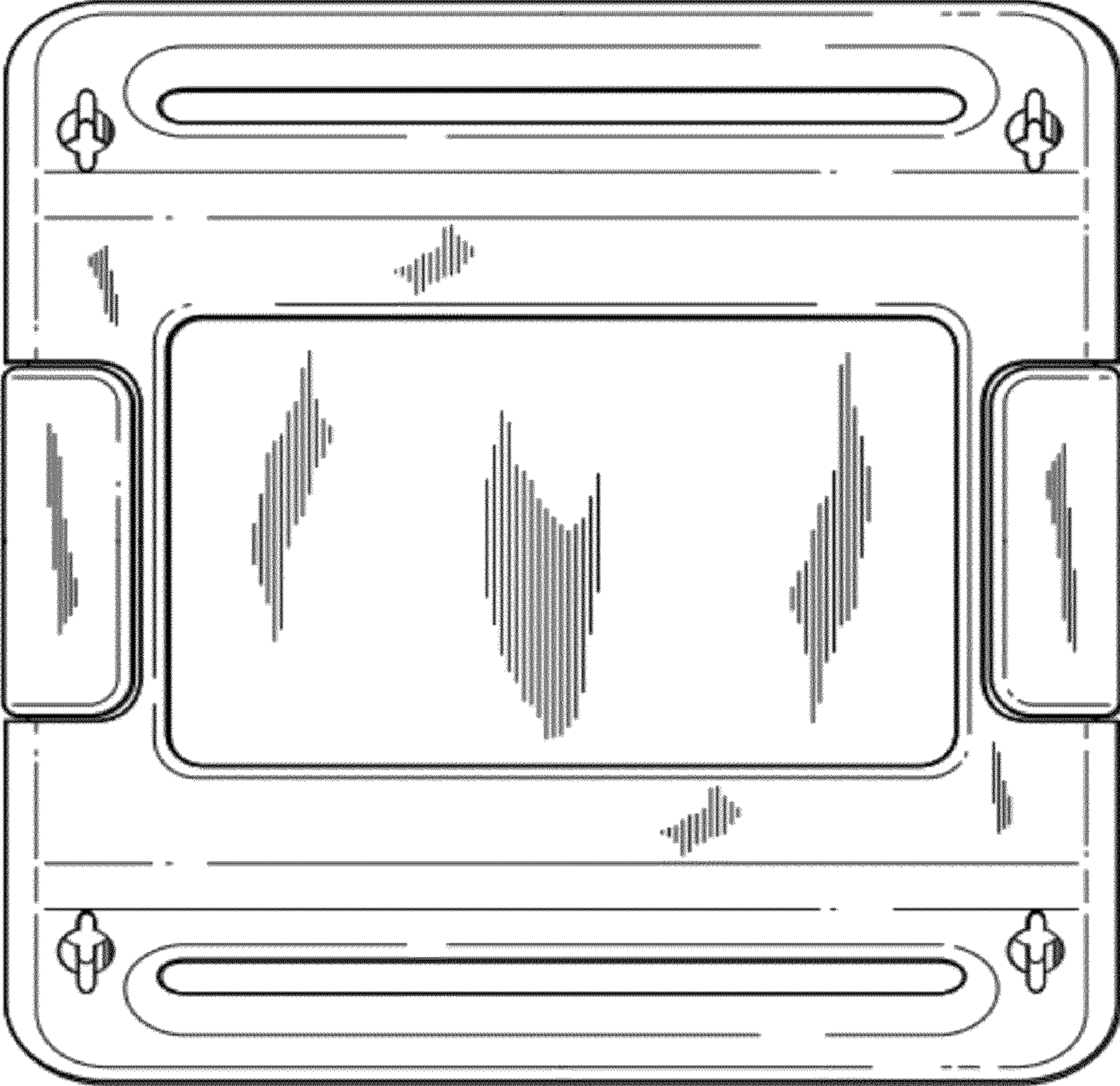


FIG. 3

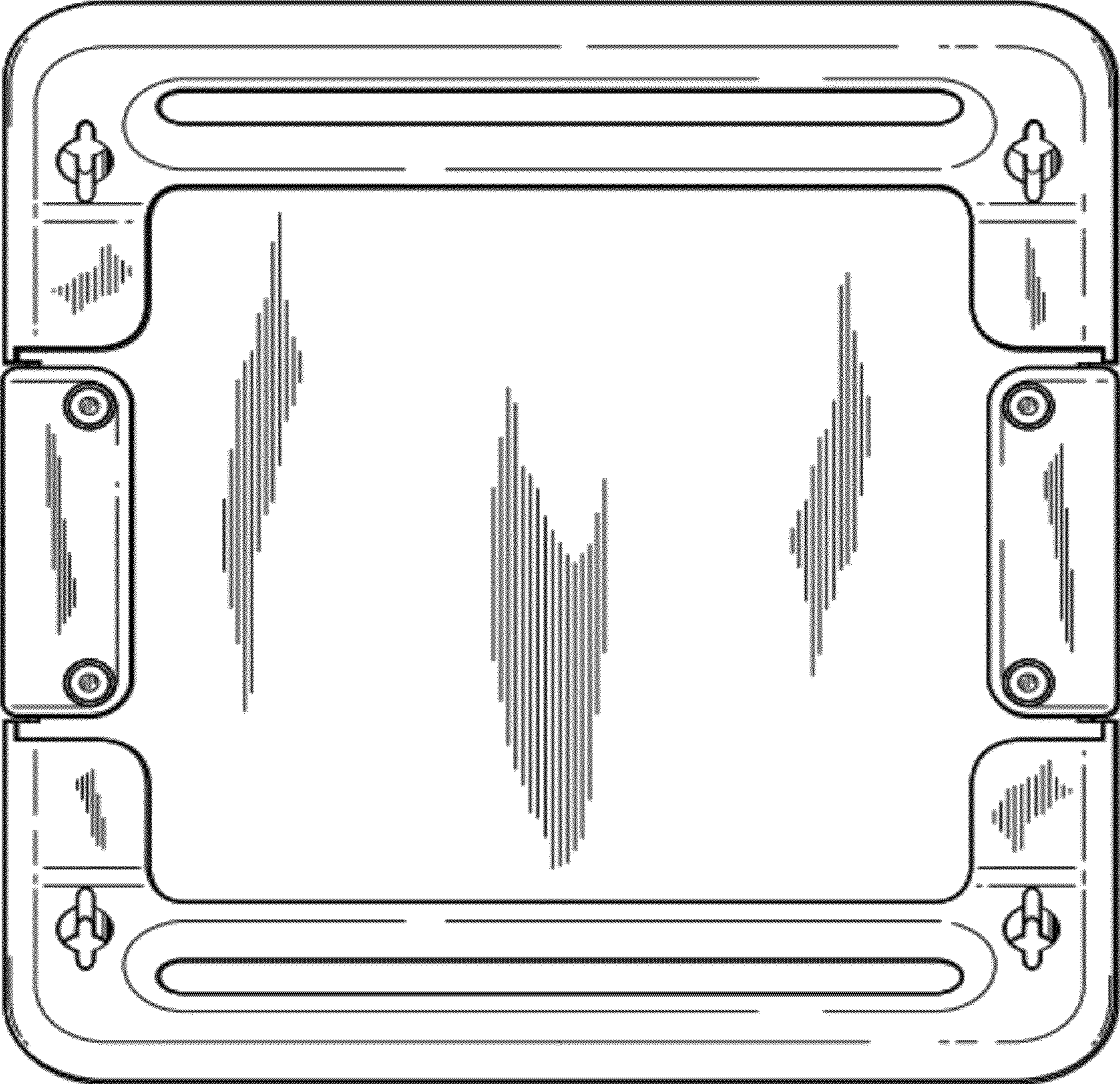


FIG. 4

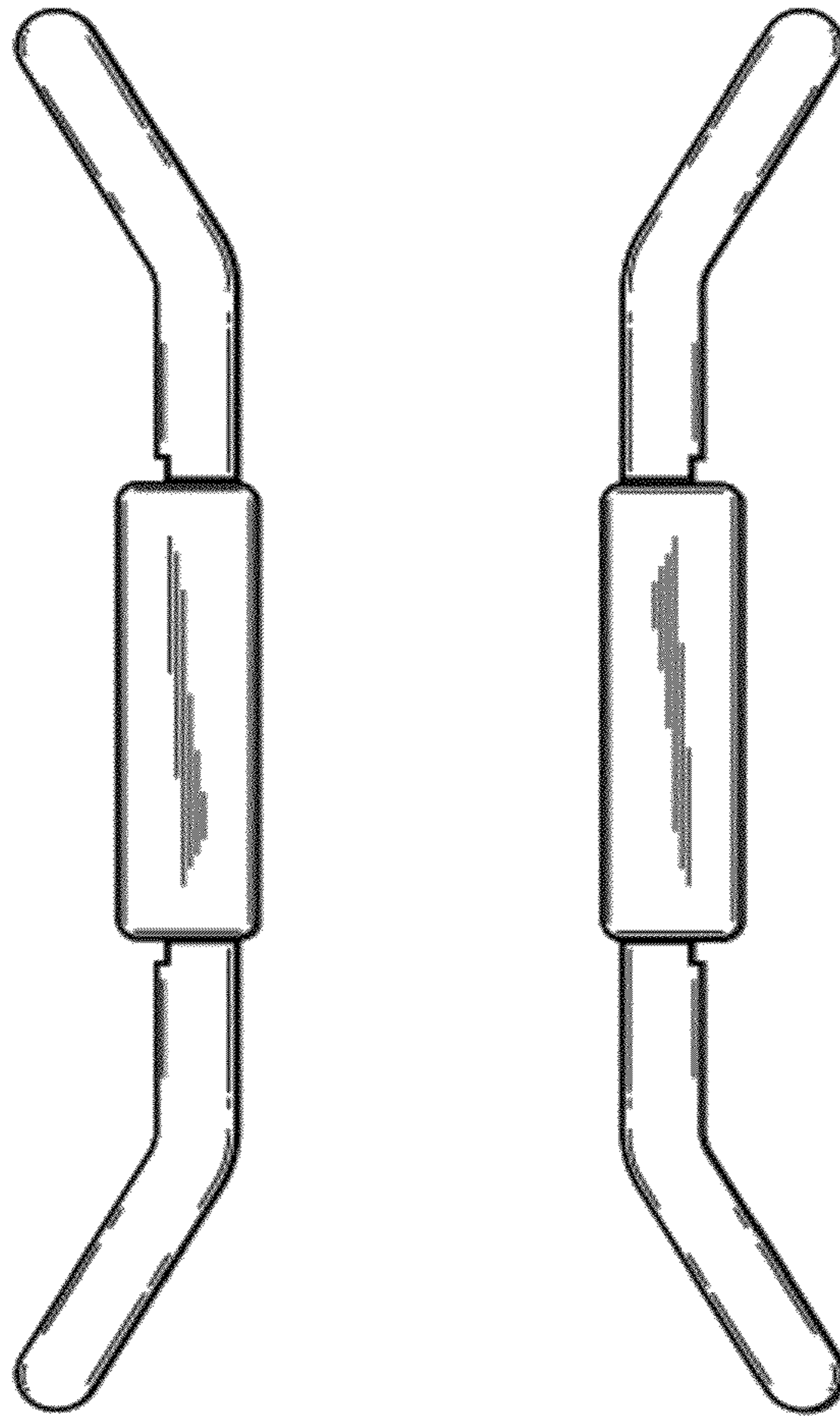


FIG. 5

FIG. 6

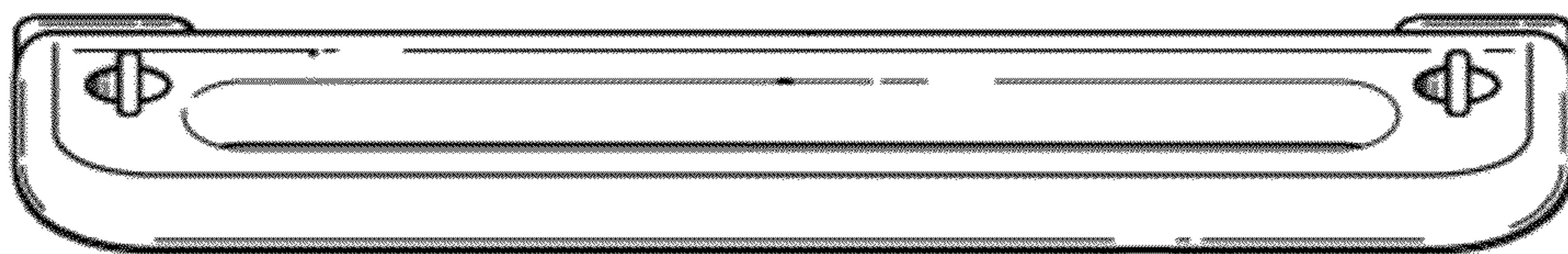


FIG. 7



FIG. 8

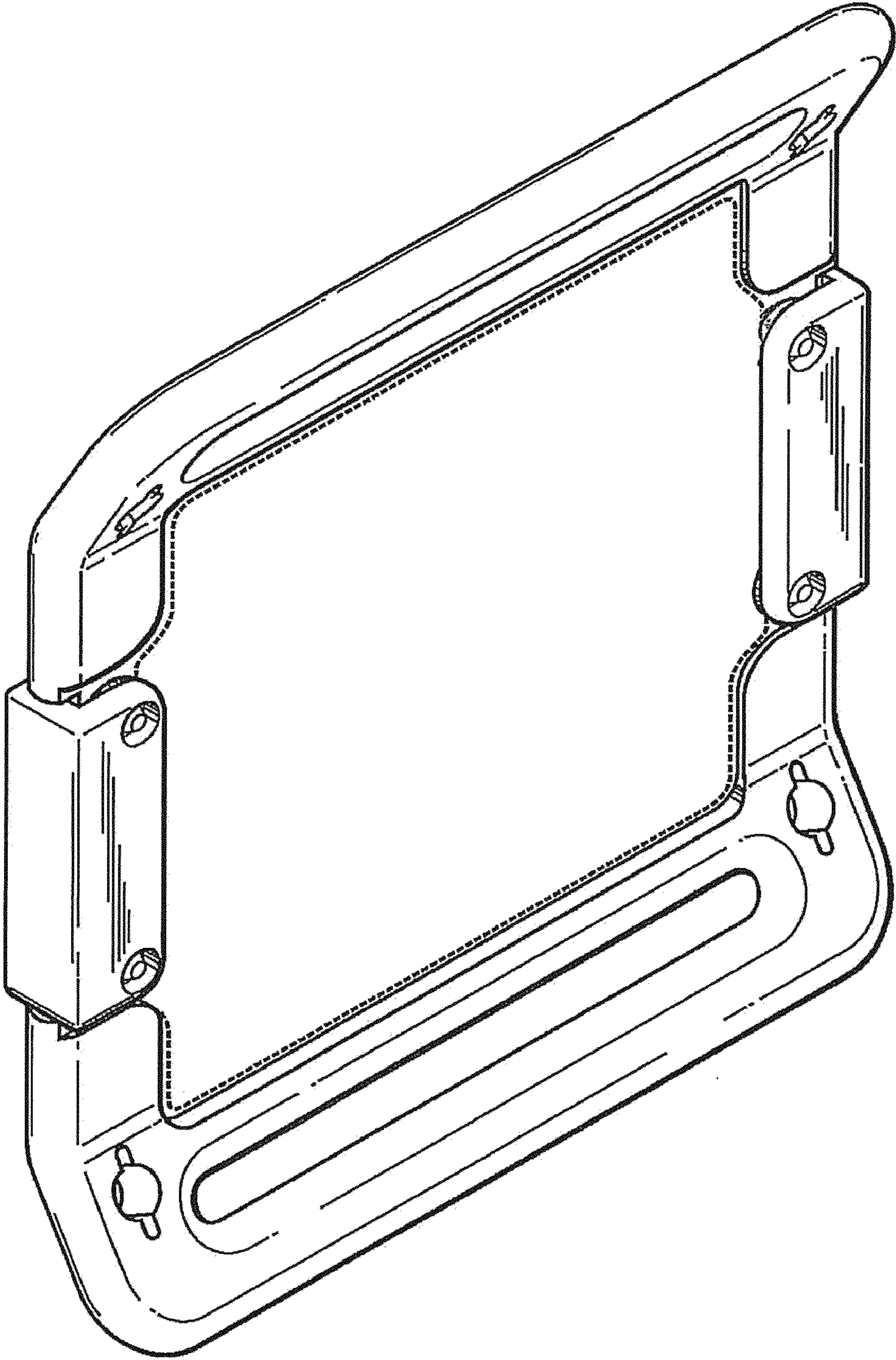


FIG. 9

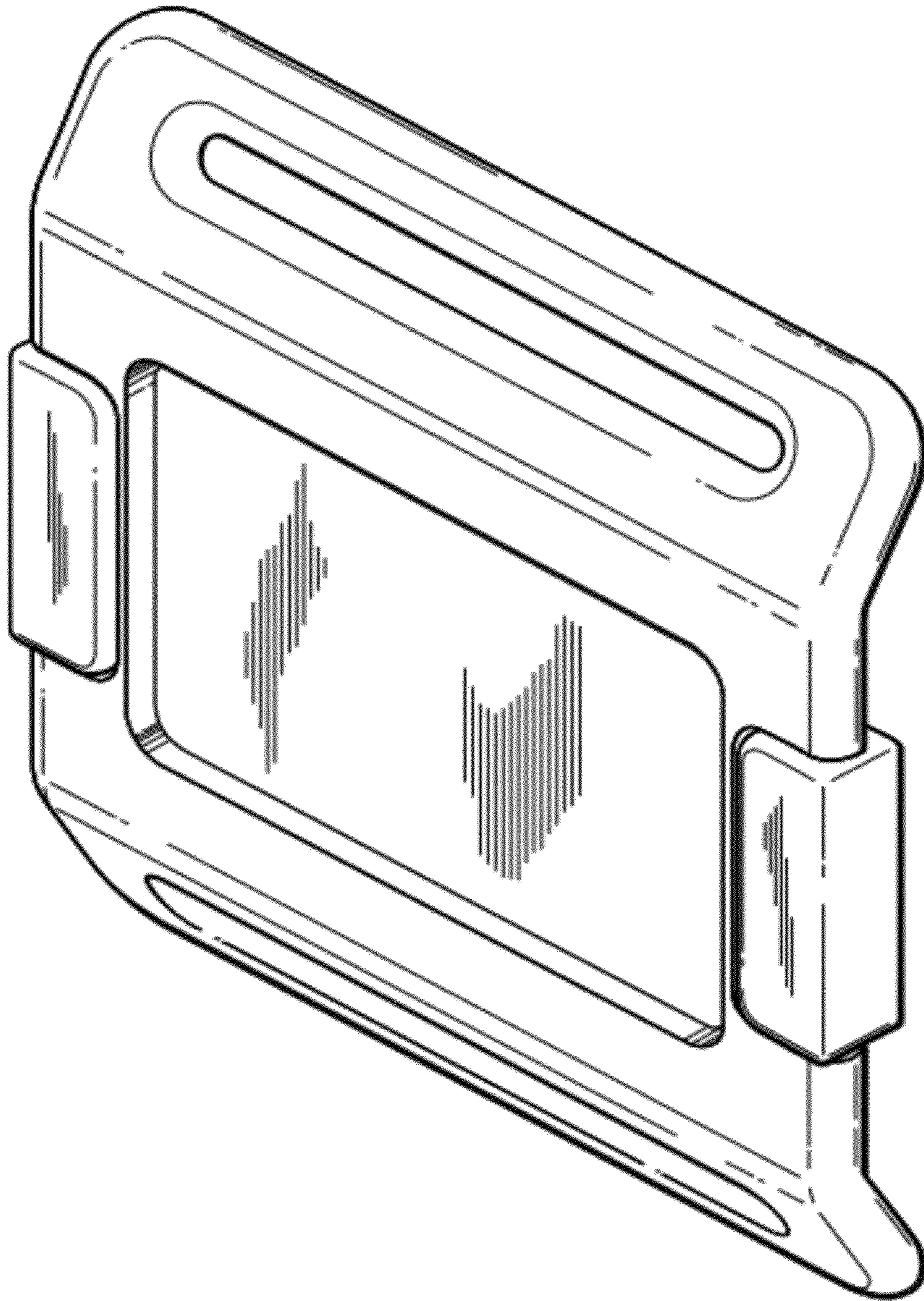


FIG. 10



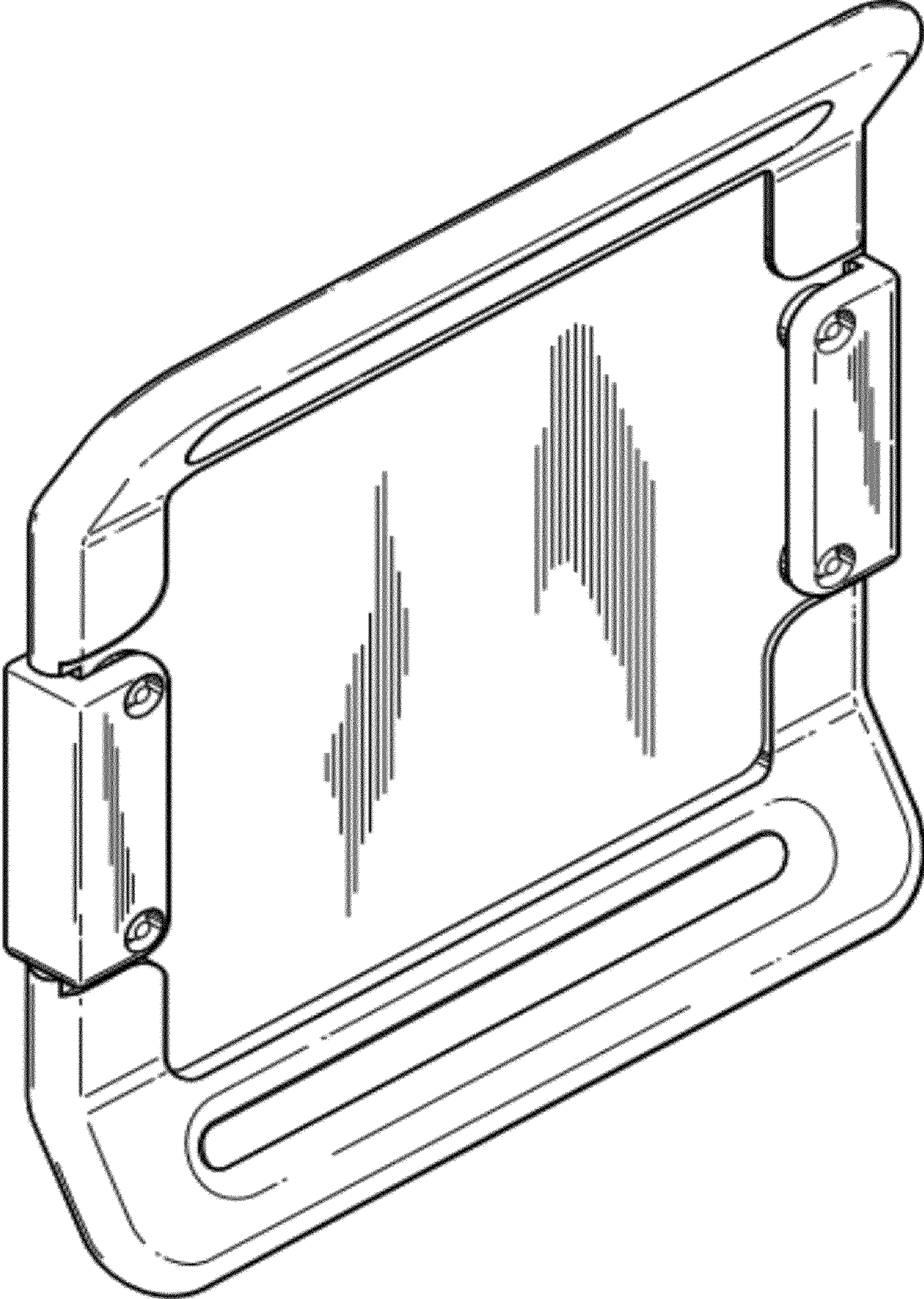


FIG. 11

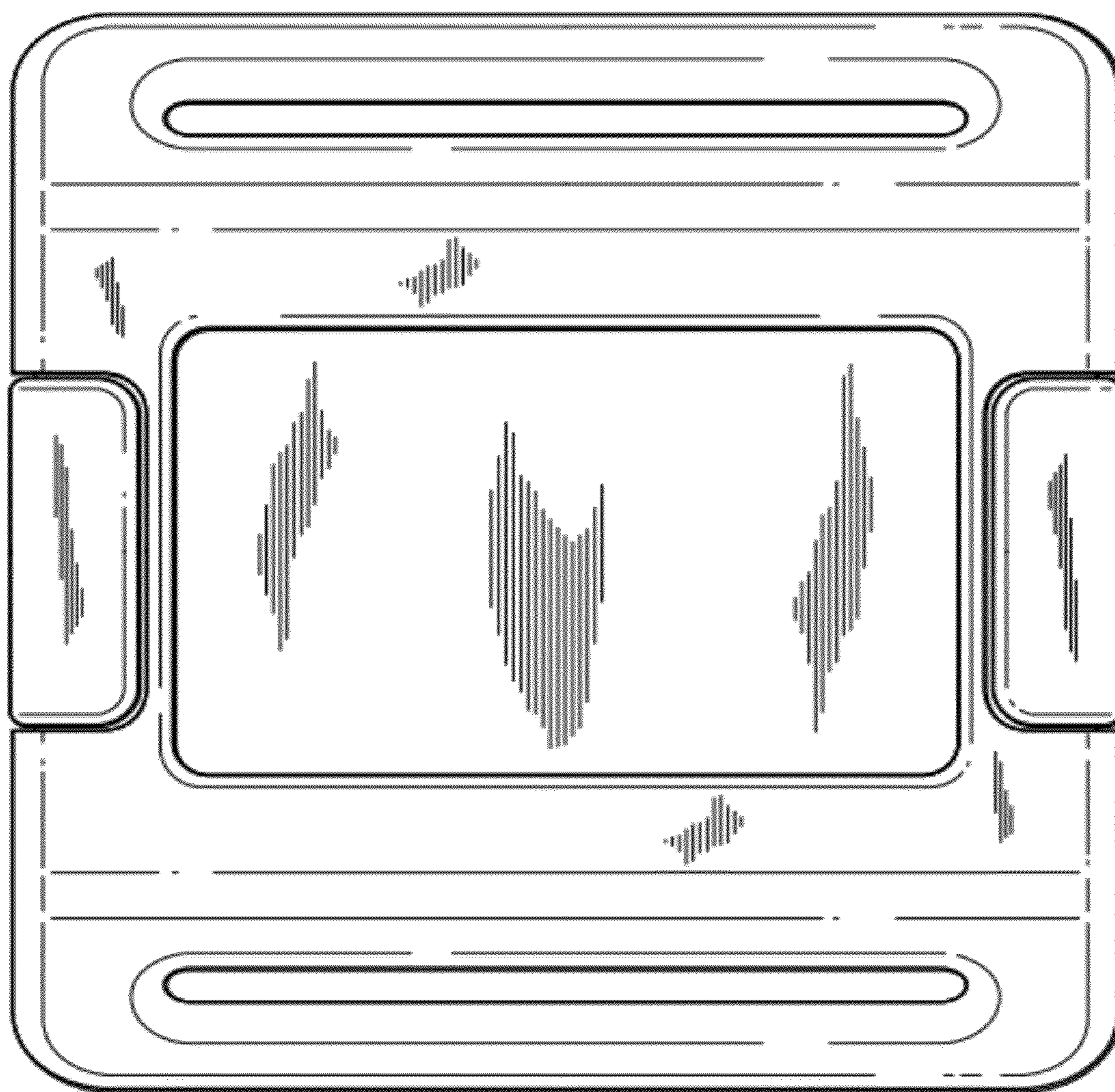


FIG. 12

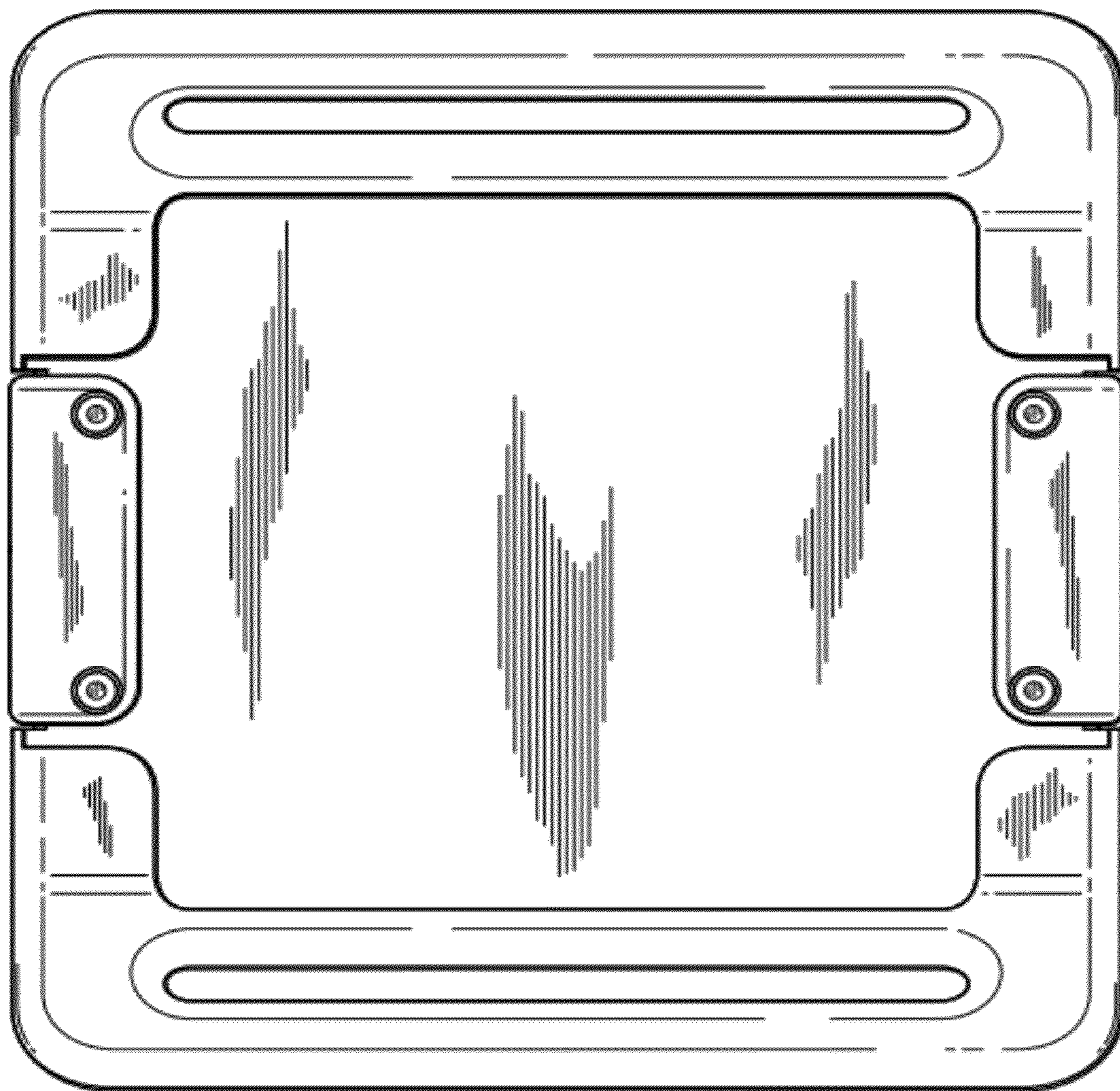


FIG. 13

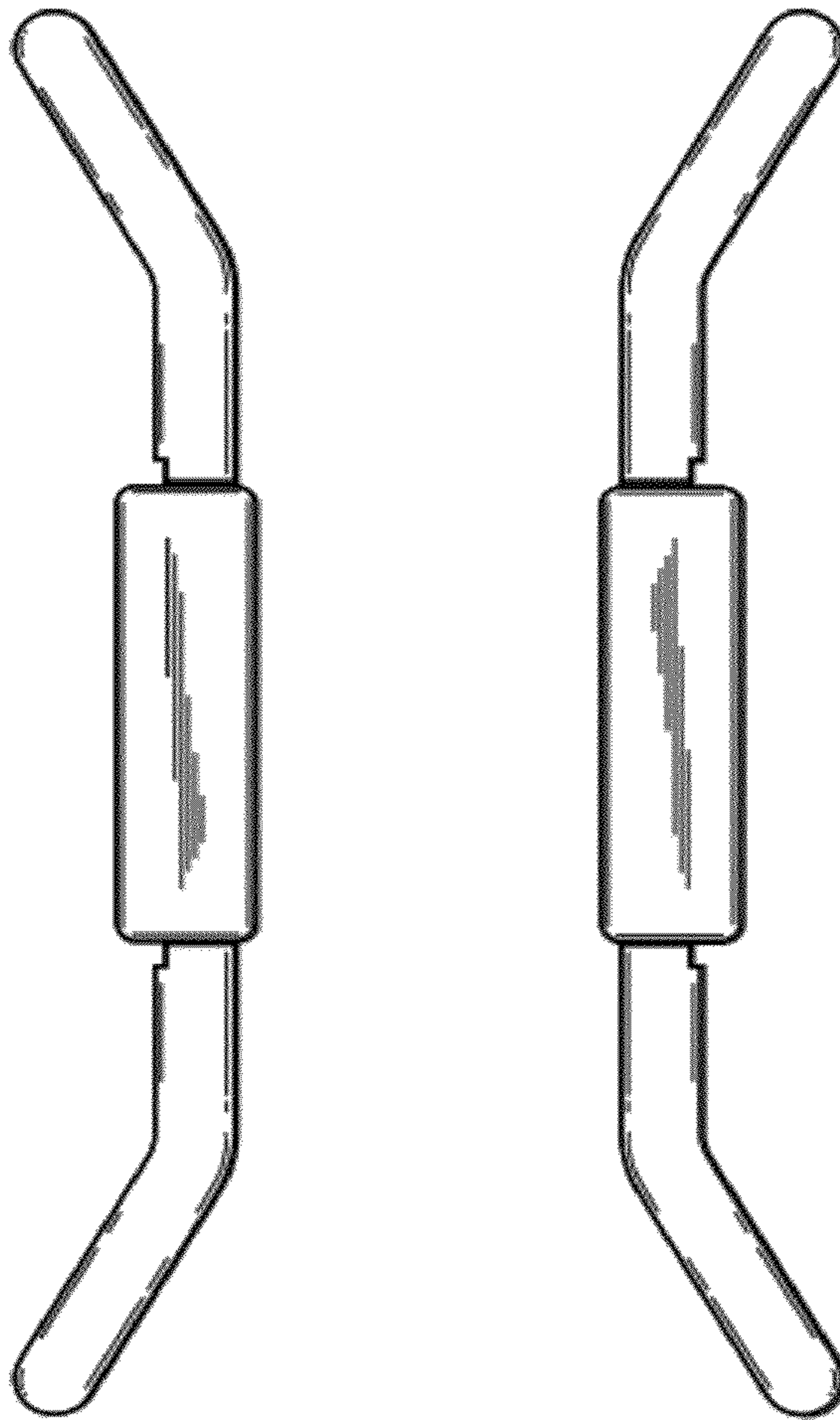


FIG. 14

FIG. 15

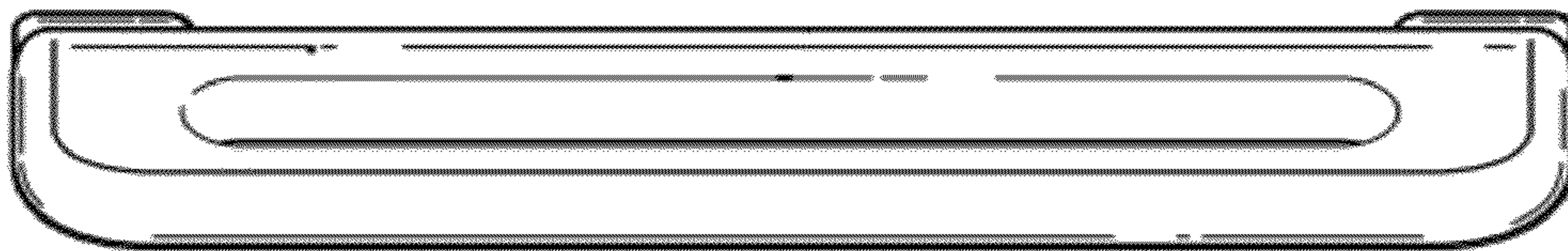


FIG. 16



FIG. 17