



US00D673844S

(12) **United States Design Patent**
Wall et al.

(10) **Patent No.:** **US D673,844 S**
(45) **Date of Patent:** **** Jan. 8, 2013**

(54) **LED CLAMP**

(75) Inventors: **Franklin Joseph Wall**, Vacaville, CA (US); **William David Collins, III**, San Jose, CA (US); **Walter Daschner**, Half Moon Bay, CA (US); **Kathleen Anne Hartnett**, Palo Alto, CA (US); **Robert Andrew Zona**, Santa Clara, CA (US)

(73) Assignee: **Koninklijke Philips Electronics N.V.**, Eindhoven (NL)

(**) Term: **14 Years**

(21) Appl. No.: **29/406,409**

(22) Filed: **Nov. 14, 2011**

(51) **LOC (9) Cl.** **08-08**

(52) **U.S. Cl.** **D8/394; D8/380**

(58) **Field of Classification Search** D8/354, D8/366, 371, 380, 394; 24/22, 67 R, 20 S, 24/115 R, 546, 563, 910, 343, 67.9; 248/72, 248/74.2, 215, 227.1, 49, 300, 301, 316.7, 248/51, 489

See application file for complete search history.

(56) **References Cited**

U.S. PATENT DOCUMENTS

2,103,106	A *	12/1937	Yurkovitch	248/223.41
2,244,427	A *	6/1941	Miller	72/339
2,682,385	A *	6/1954	Schluter	248/262
D205,793	S *	9/1966	Holmes	D8/354
3,536,281	A *	10/1970	Attore et al.	248/73
D234,337	S *	2/1975	Block	D8/382
4,441,619	A *	4/1984	Gibitz	211/70.6
4,515,338	A *	5/1985	Schneider	248/460

D316,956	S *	5/1991	Hoskinson et al.	D8/371
D340,226	S *	10/1993	Sachs	D13/154
D397,927	S *	9/1998	Roy	D8/373
6,196,508	B1 *	3/2001	Nijs	248/267
D467,792	S *	12/2002	Zadak et al.	D8/373
6,497,395	B1 *	12/2002	Crocker	248/300
D472,791	S *	4/2003	Callahan et al.	D8/349
D482,599	S *	11/2003	May et al.	D8/356
D492,189	S *	6/2004	Weremchuk et al.	D8/371
6,901,638	B2 *	6/2005	Itou et al.	24/570
6,924,638	B2 *	8/2005	Muramatsu et al.	324/174
D513,171	S *	12/2005	Richardson	D8/394
7,090,174	B2 *	8/2006	Korczak et al.	248/61
D553,970	S *	10/2007	Allsopp	D8/395
D556,015	S *	11/2007	Muchnik	D8/354
D557,117	S *	12/2007	Cannaverde	D8/354
D587,640	S *	3/2009	Fraser et al.	D12/223
D613,150	S *	4/2010	Rieder et al.	D8/356
D628,607	S *	12/2010	Irion et al.	D15/138
D658,972	S *	5/2012	Virgin	D8/349

* cited by examiner

Primary Examiner — John Windmuller

(57) **CLAIM**

The ornamental design for an LED clamp, as shown.

DESCRIPTION

FIG. 1 is a perspective view of an LED clamp showing our new design.

FIG. 2 as a front elevational view thereof;

FIG. 3 is a rear elevational view thereof;

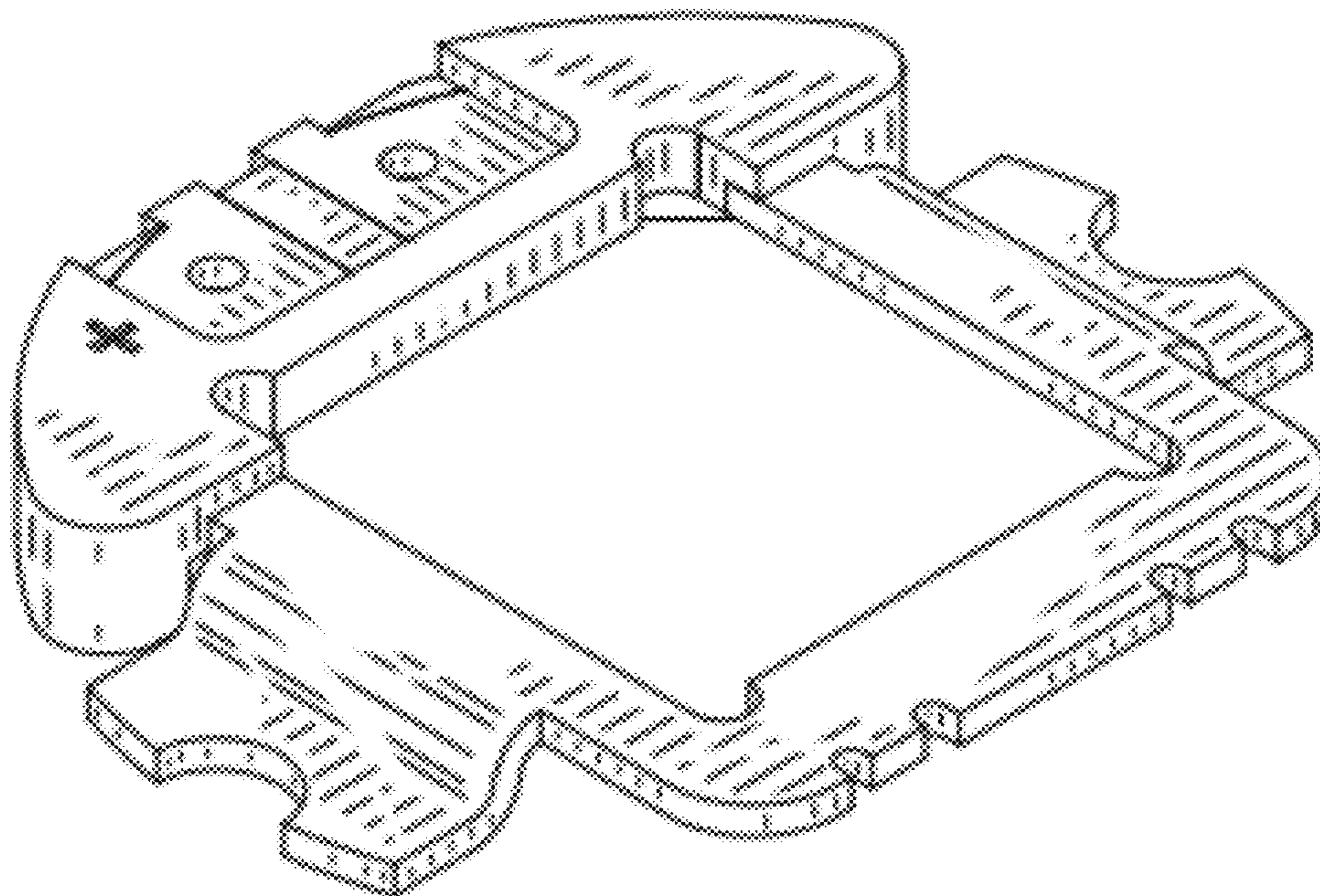
FIG. 4 is a right side elevational view thereof;

FIG. 5 is a left side elevational view thereof;

FIG. 6 is a top plan view thereof; and,

FIG. 7 as a bottom plan view thereof.

1 Claim, 3 Drawing Sheets



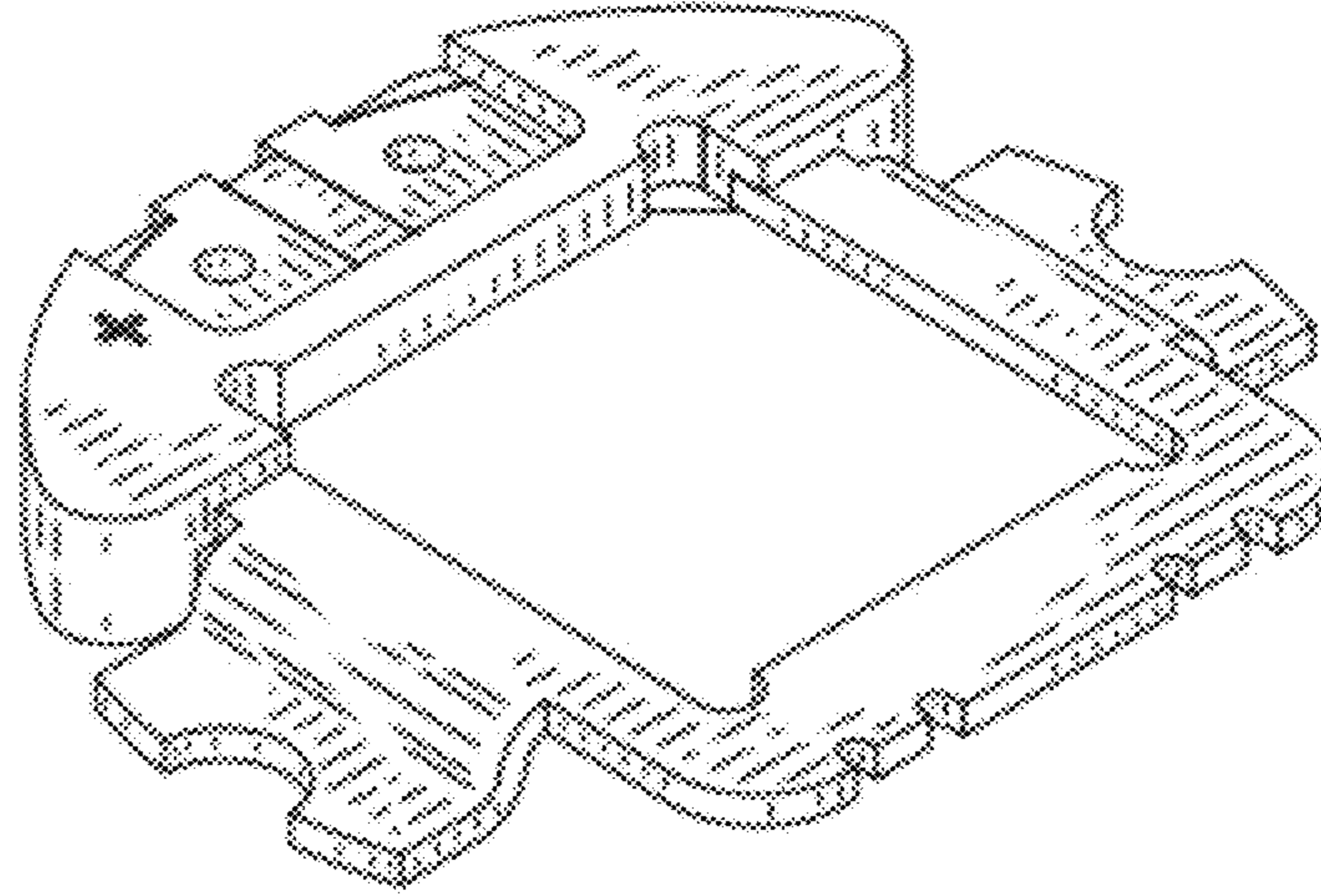


FIG. 1

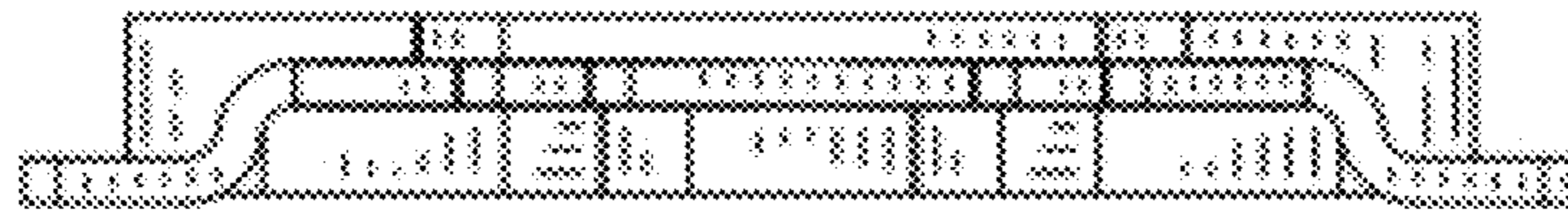


FIG. 2

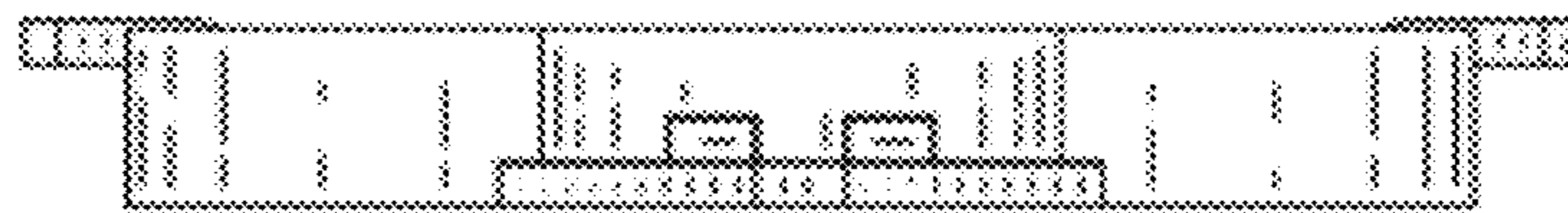


FIG. 3



FIG. 4



FIG. 5

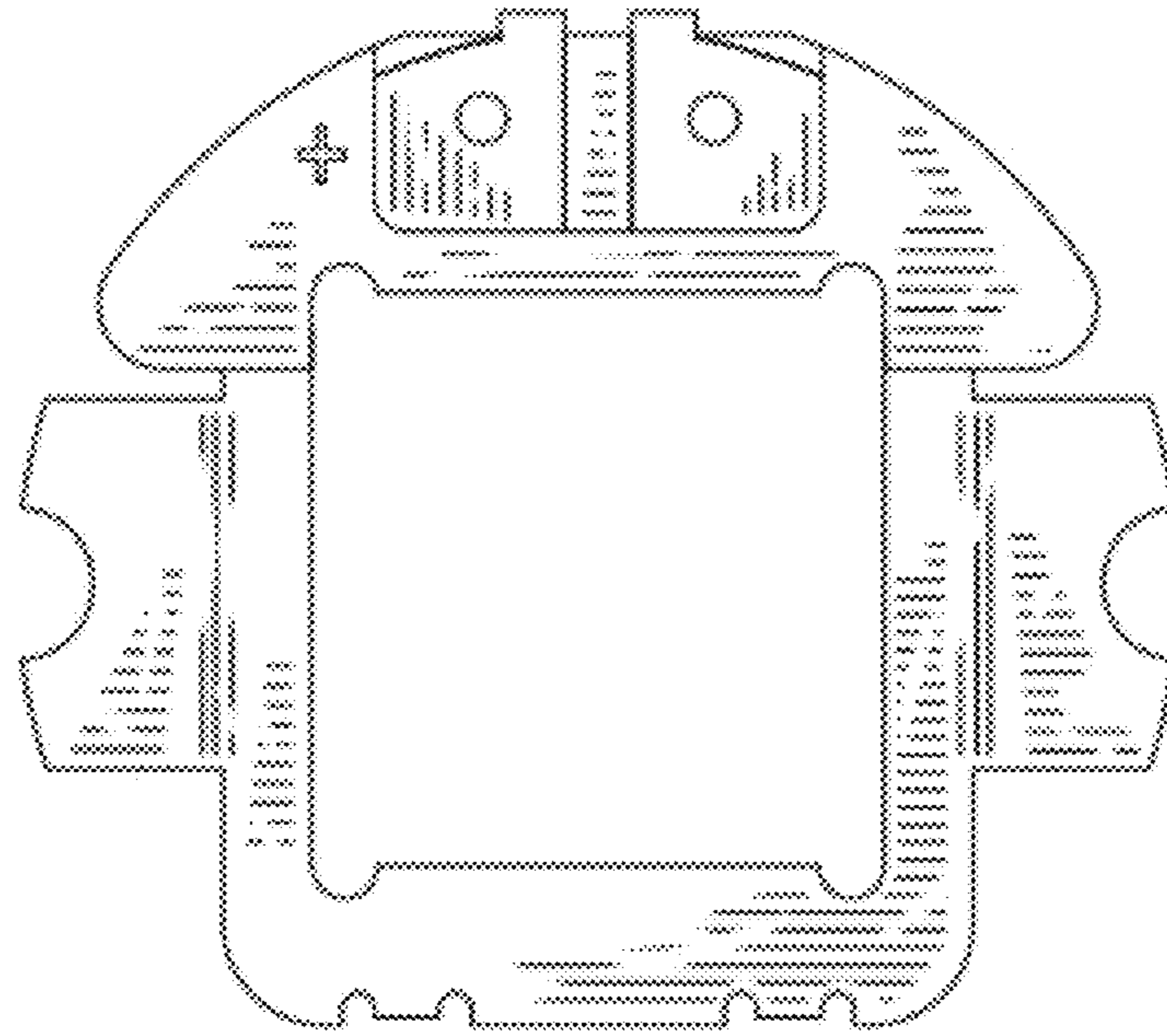


FIG. 6

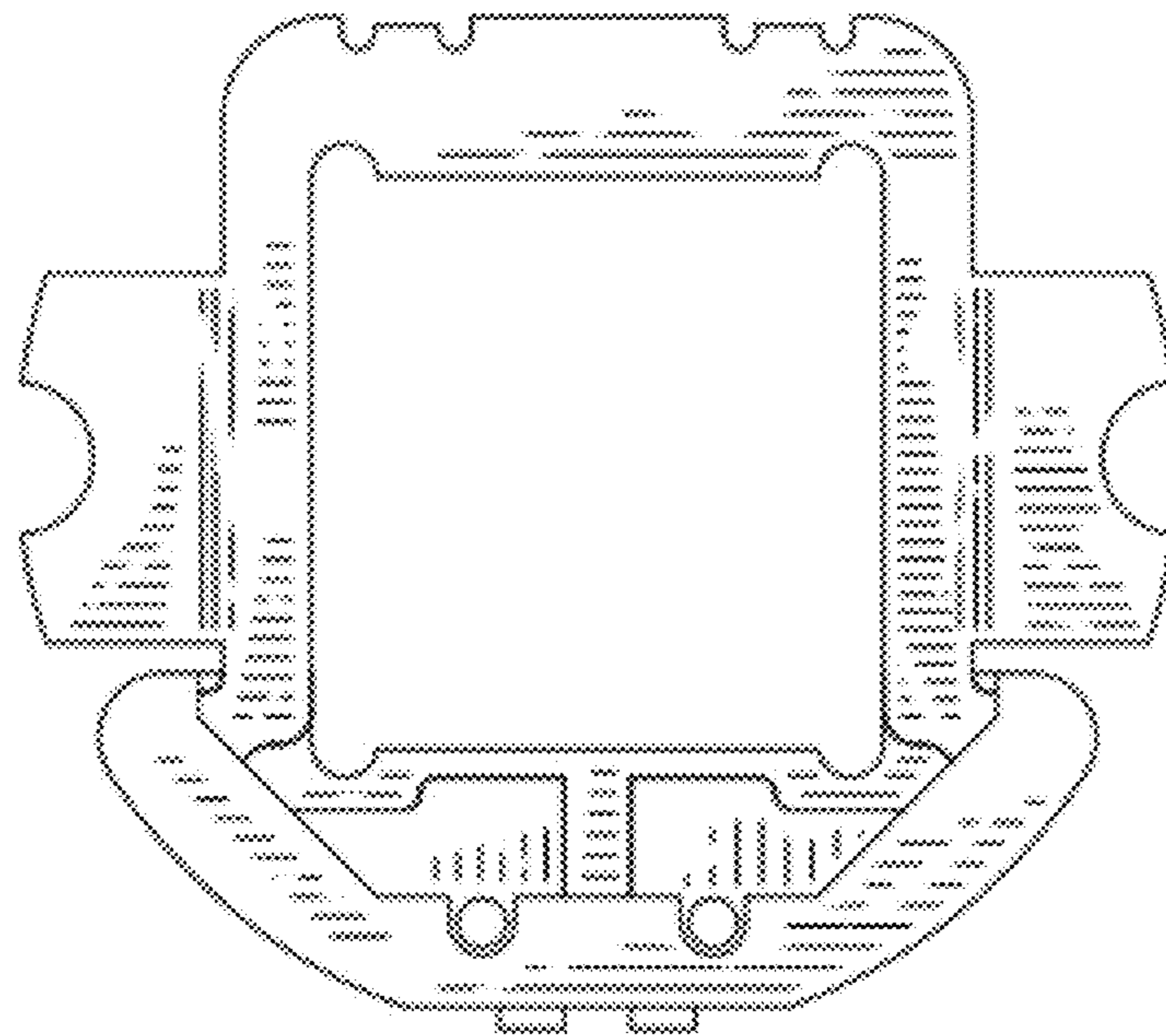


FIG. 7