



US00D673841S

(12) **United States Design Patent**
Hirano

(10) **Patent No.:** **US D673,841 S**
(45) **Date of Patent:** **** Jan. 8, 2013**

(54) **FASTENING DEVICE**

(75) Inventor: **Yoichi Hirano**, Hiroshima (JP)

(73) Assignee: **Nifco Inc.**, Yokohama-Shi (JP)

(**) Term: **14 Years**

(21) Appl. No.: **29/371,697**

(22) Filed: **Jul. 20, 2011**

(30) **Foreign Application Priority Data**

Jan. 20, 2011 (JP) 2011-001070

(51) **LOC (9) Cl.** **08-08**

(52) **U.S. Cl.** **D8/382**

(58) **Field of Classification Search** D8/382,
D8/349; 411/508-510, 45; 403/300, 345;
24/453, 297

See application file for complete search history.

(56) **References Cited**

U.S. PATENT DOCUMENTS

D374,610	S	*	10/1996	Shimazu	D8/382
5,689,863	A	*	11/1997	Sinozaki	24/297
5,694,666	A	*	12/1997	Hamamoto	24/297
6,088,878	A	*	7/2000	Antonucci et al.	16/86 A
D498,414	S	*	11/2004	Yoneoka	D8/382
D500,245	S	*	12/2004	Okada	D8/382
D589,333	S	*	3/2009	Nakazato	D8/382
D632,550	S	*	2/2011	Watanabe	D8/382
2005/0244250	A1	*	11/2005	Okada et al.	411/508

FOREIGN PATENT DOCUMENTS

JP	08303423	A	*	11/1996
JP	2002303309	A	*	10/2002

* cited by examiner

Primary Examiner — Sheryl Lane

(74) *Attorney, Agent, or Firm* — Manabu Kanesaka

(57) **CLAIM**

The ornamental design for a fastening device, as shown and described.

DESCRIPTION

FIG. 1 is a perspective view of a fastening device showing my new design;

FIG. 2 is a front view thereof, rear view being identical to front view;

FIG. 3 is a right side view thereof, left side view being identical to right side view;

FIG. 4 is a plan view thereof;

FIG. 5 is a bottom view thereof;

FIG. 6 is a perspective view of a male body;

FIG. 7 is a perspective view of a female body;

FIG. 8 is bottom view of the male body;

FIG. 9 is plan view of the female body;

FIG. 10 is a cross-sectional view of the fastening device taken along line 10-10 in FIG. 4;

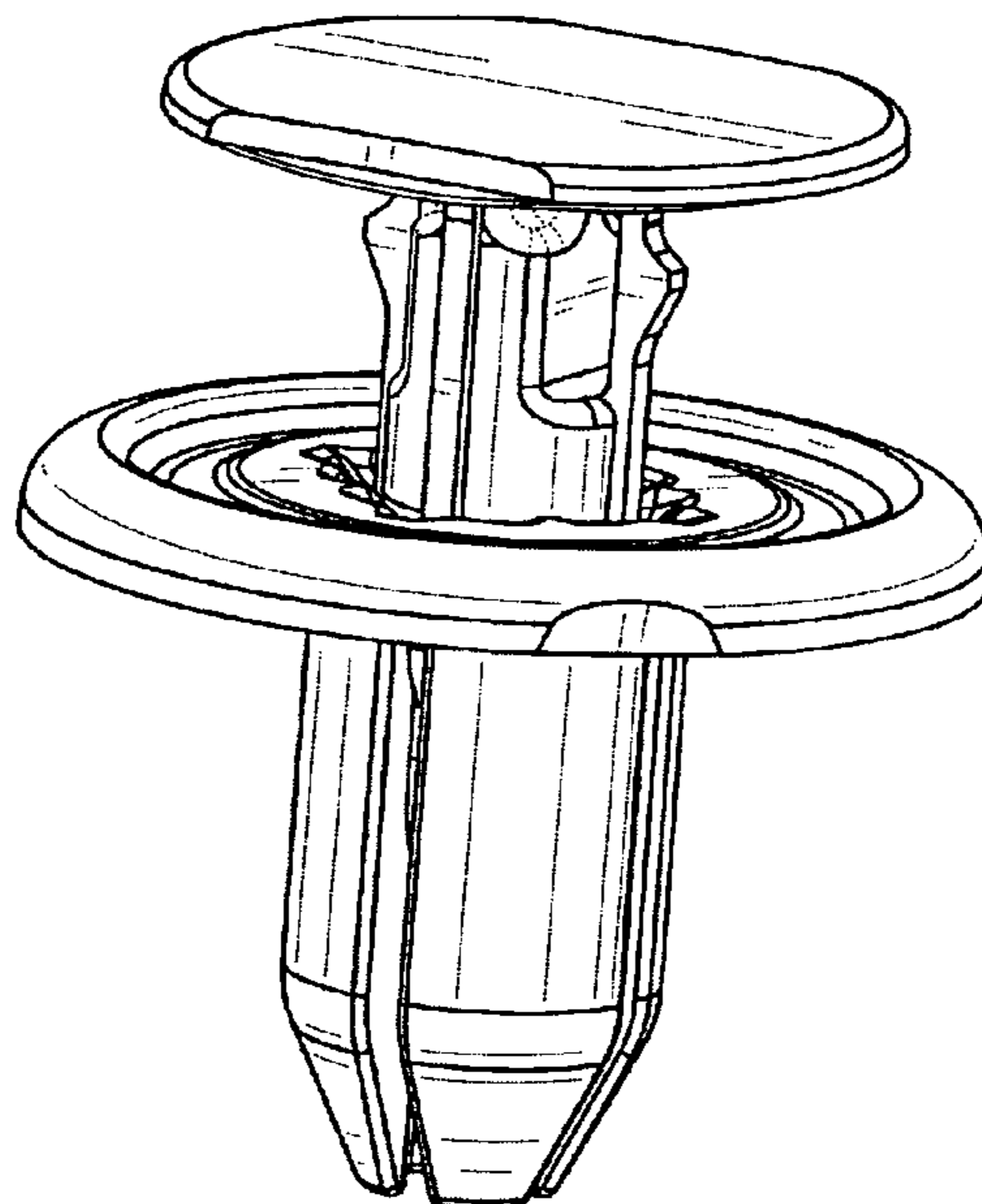
FIG. 11 is a cross-sectional view thereof taken along line 11-11 in FIG. 4;

FIG. 12 is a cross-sectional view thereof taken along line 12-12 in FIG. 4; and,

FIG. 13 is a cross-sectional view thereof taken along line 13-13 in FIG. 4.

The broken lines depict portions of the fastening device and form no part of the claimed design.

1 Claim, 6 Drawing Sheets



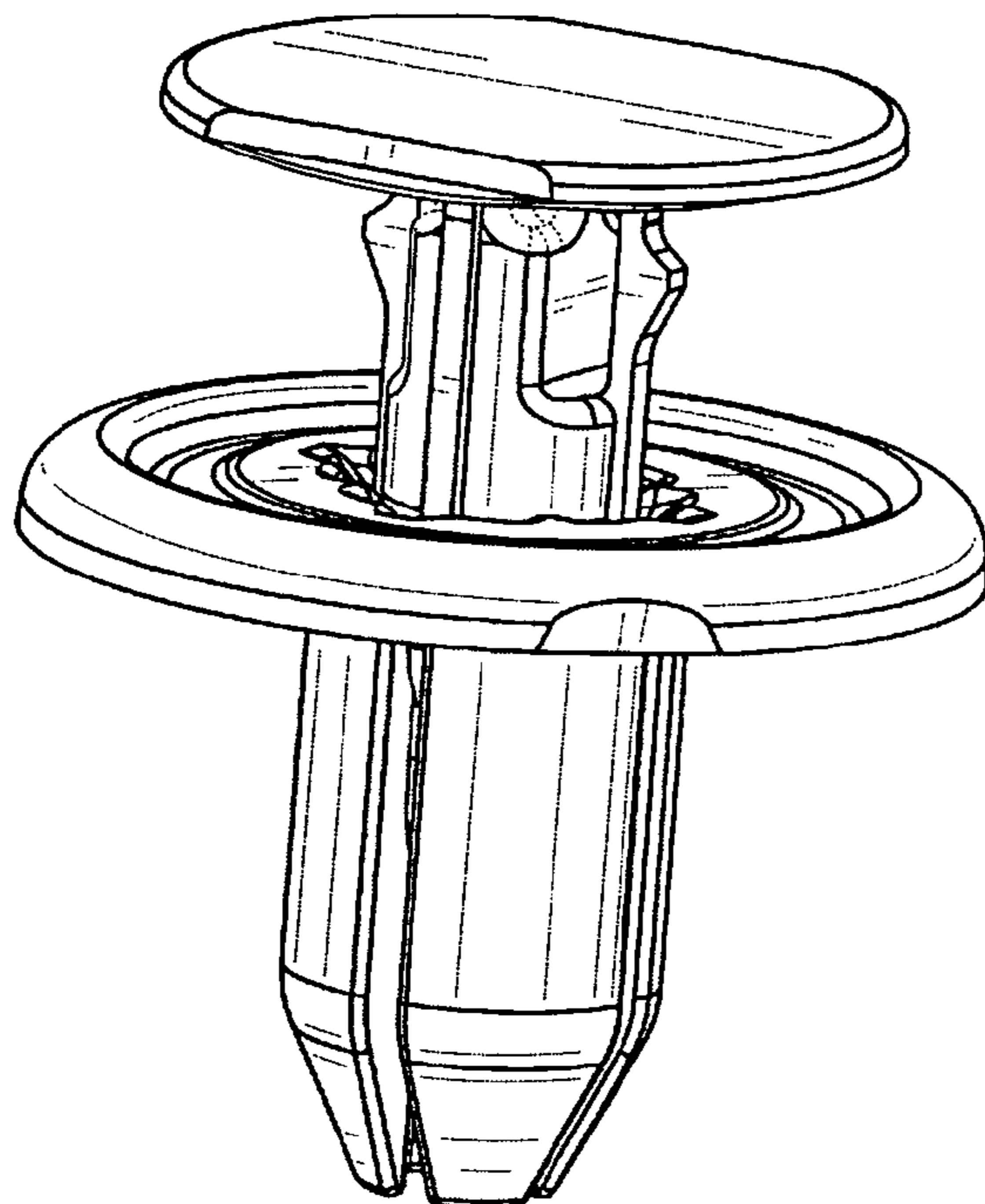


FIG. 1

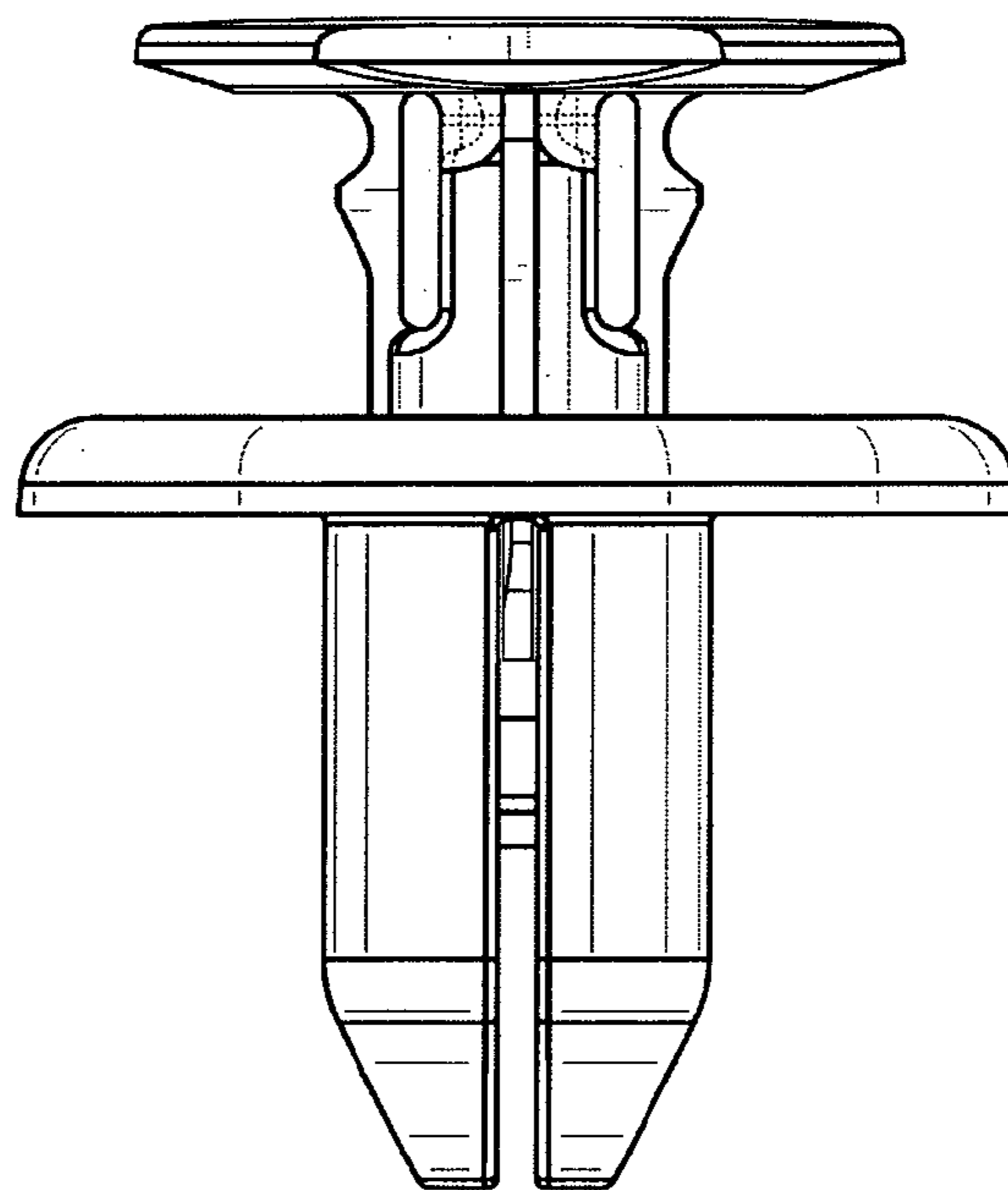


FIG. 2

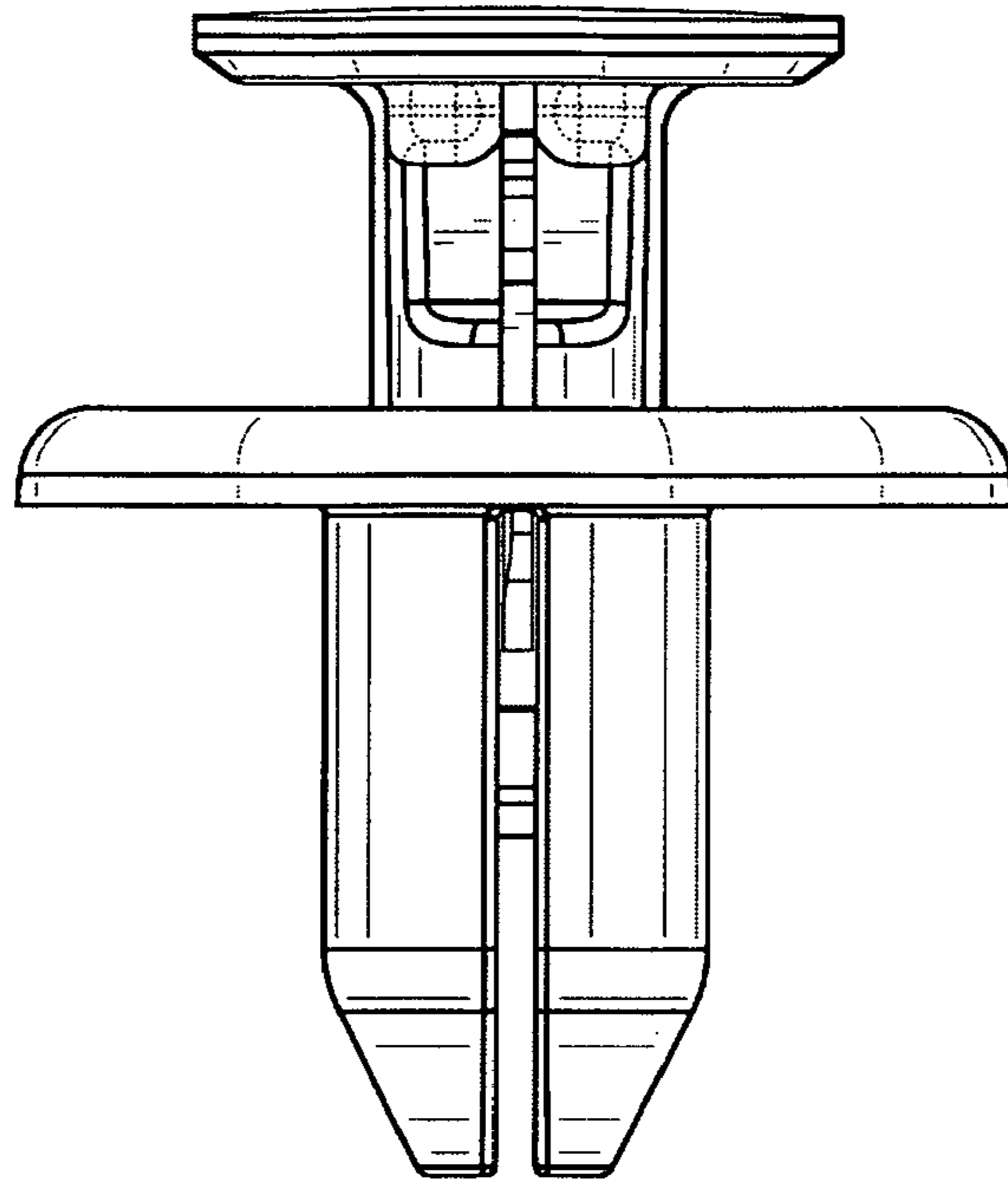


FIG. 3

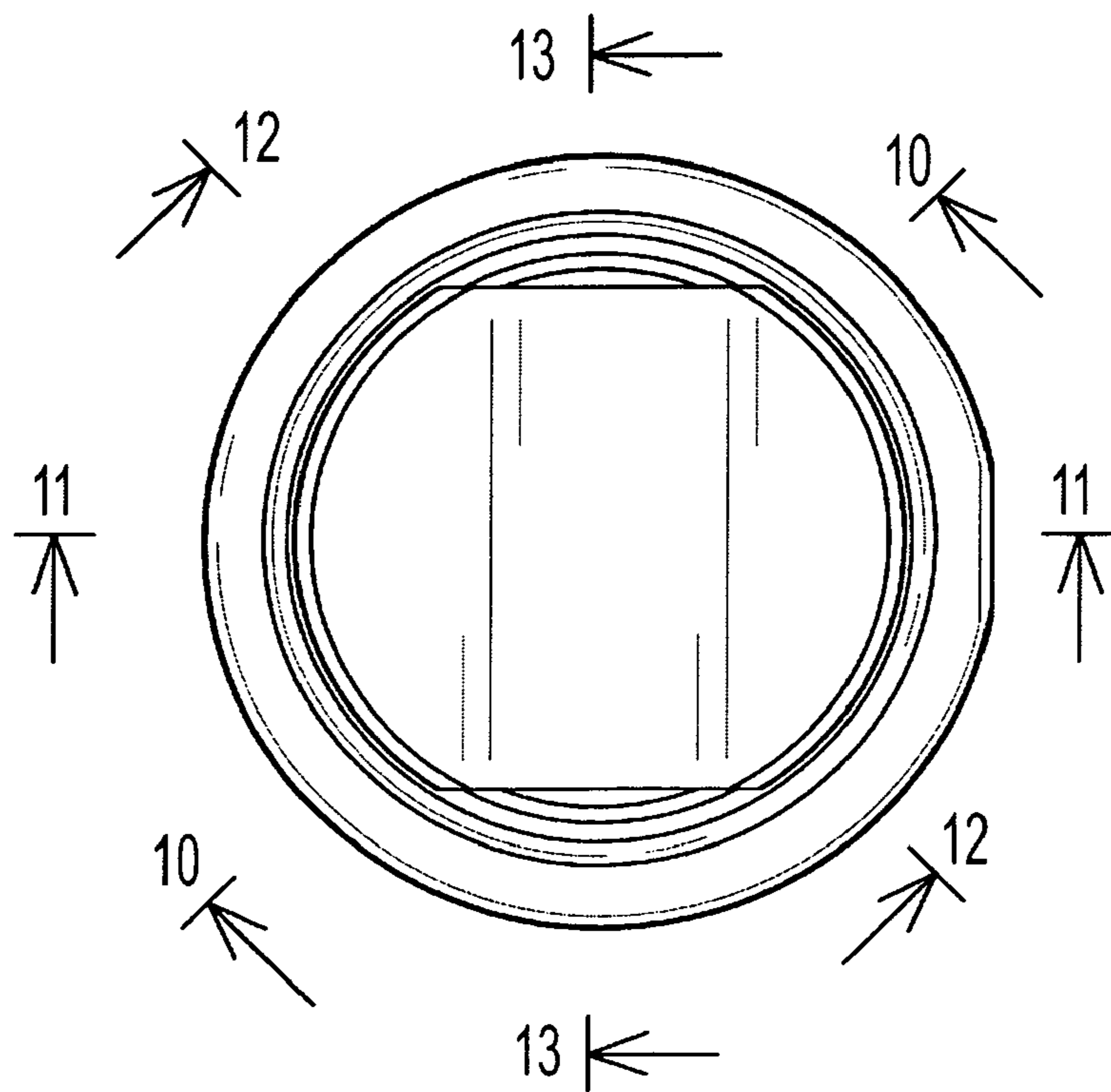


FIG. 4

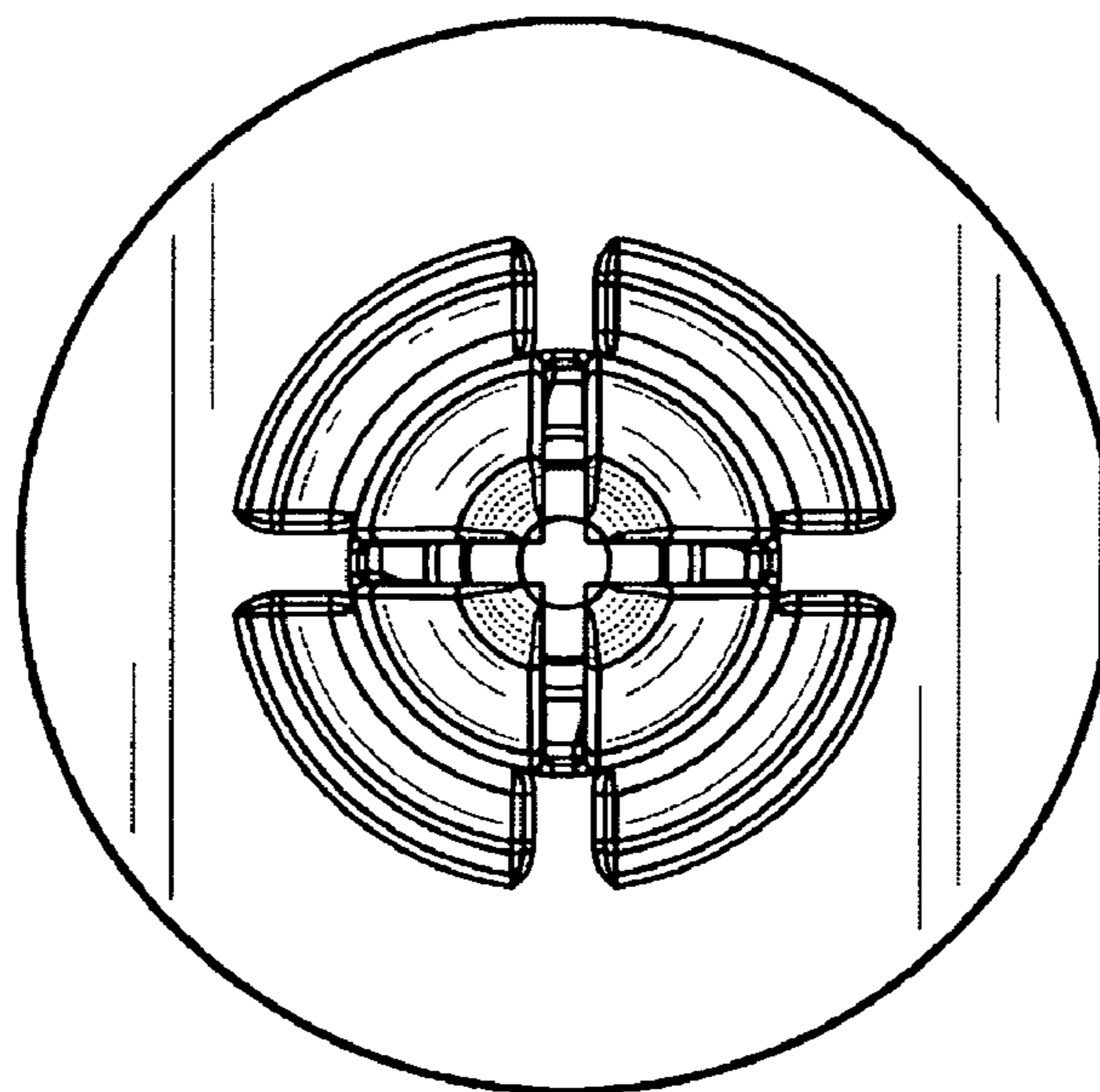


FIG. 5

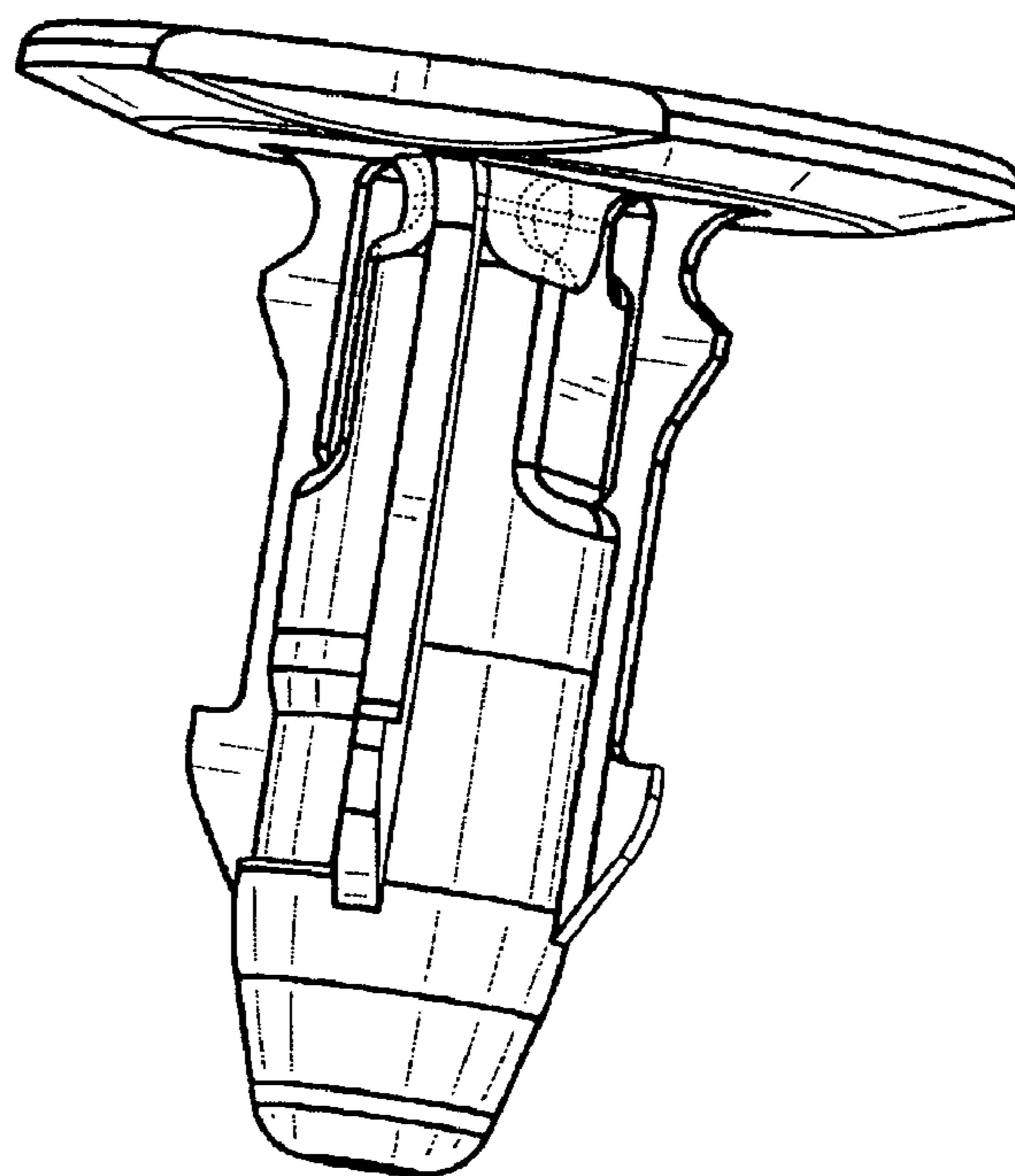


FIG. 6

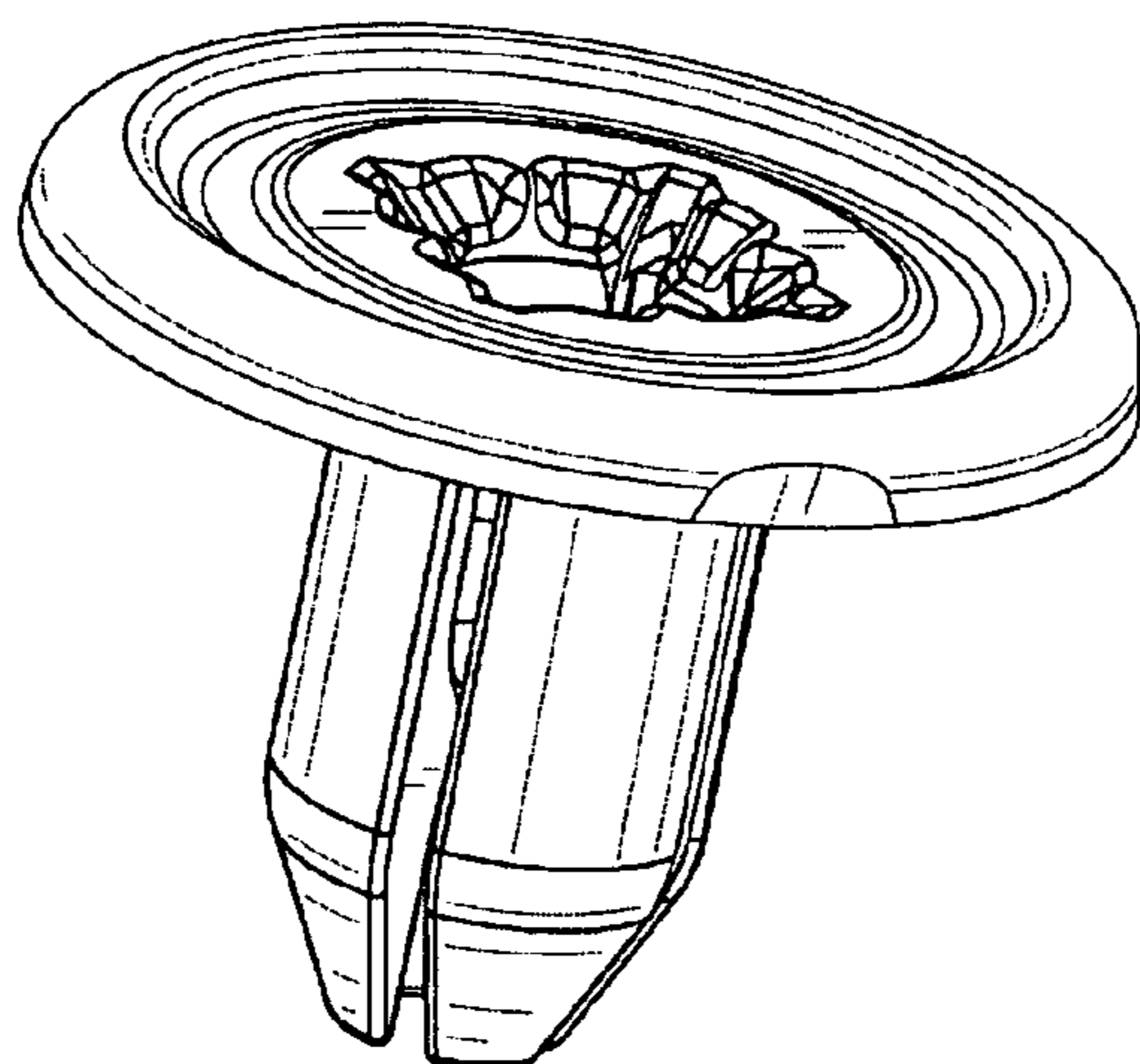


FIG. 7

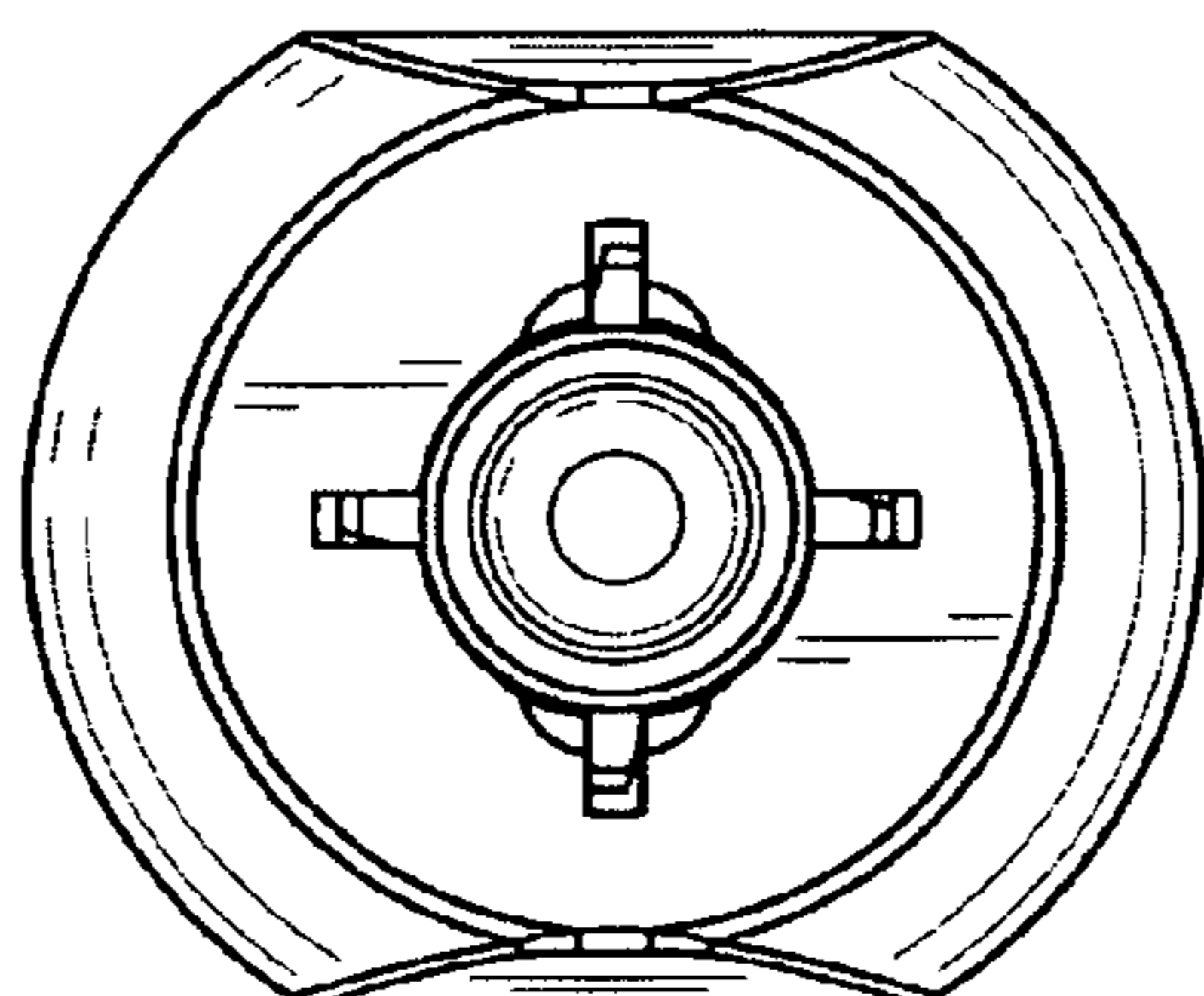


FIG. 8

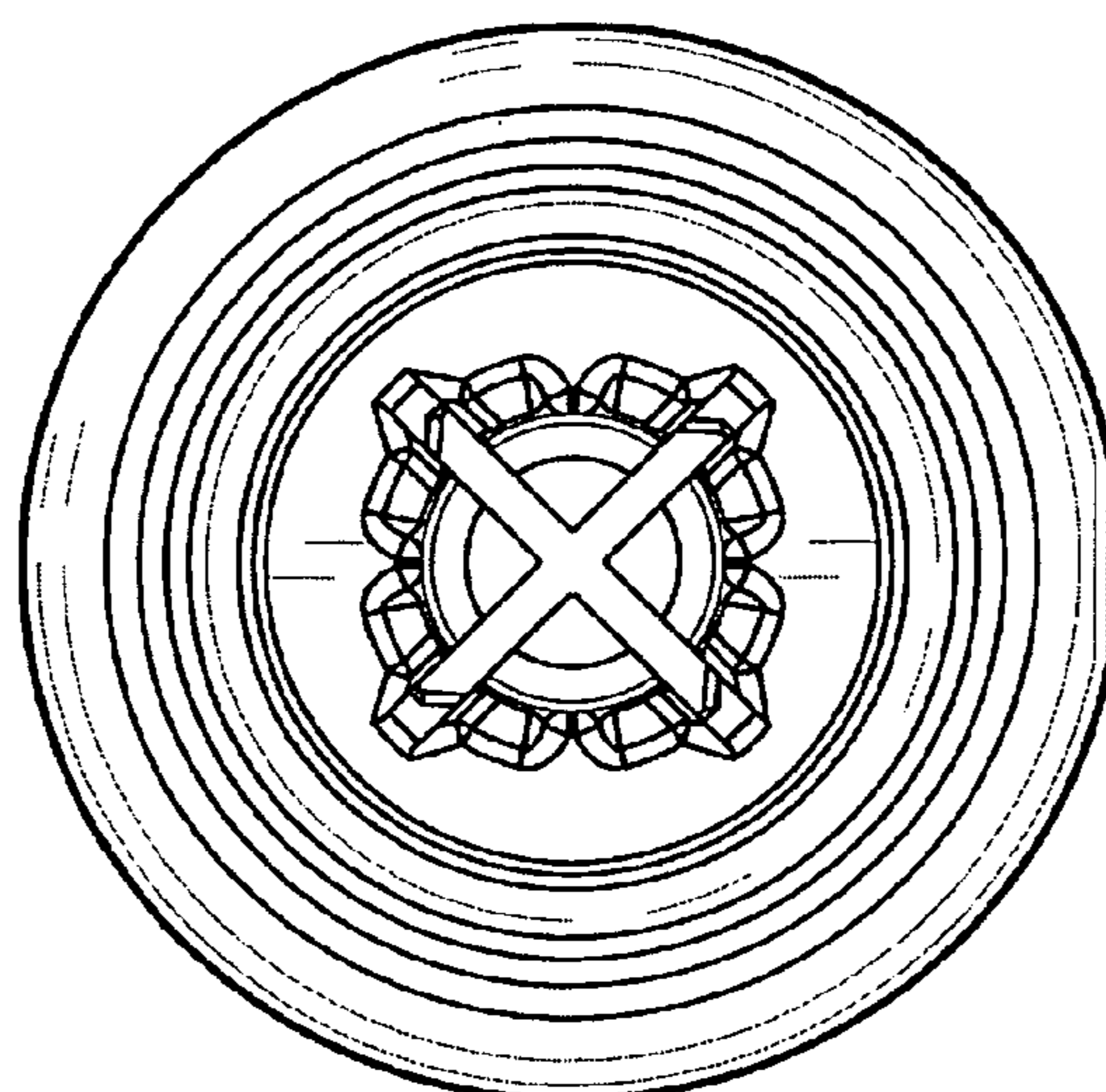


FIG. 9

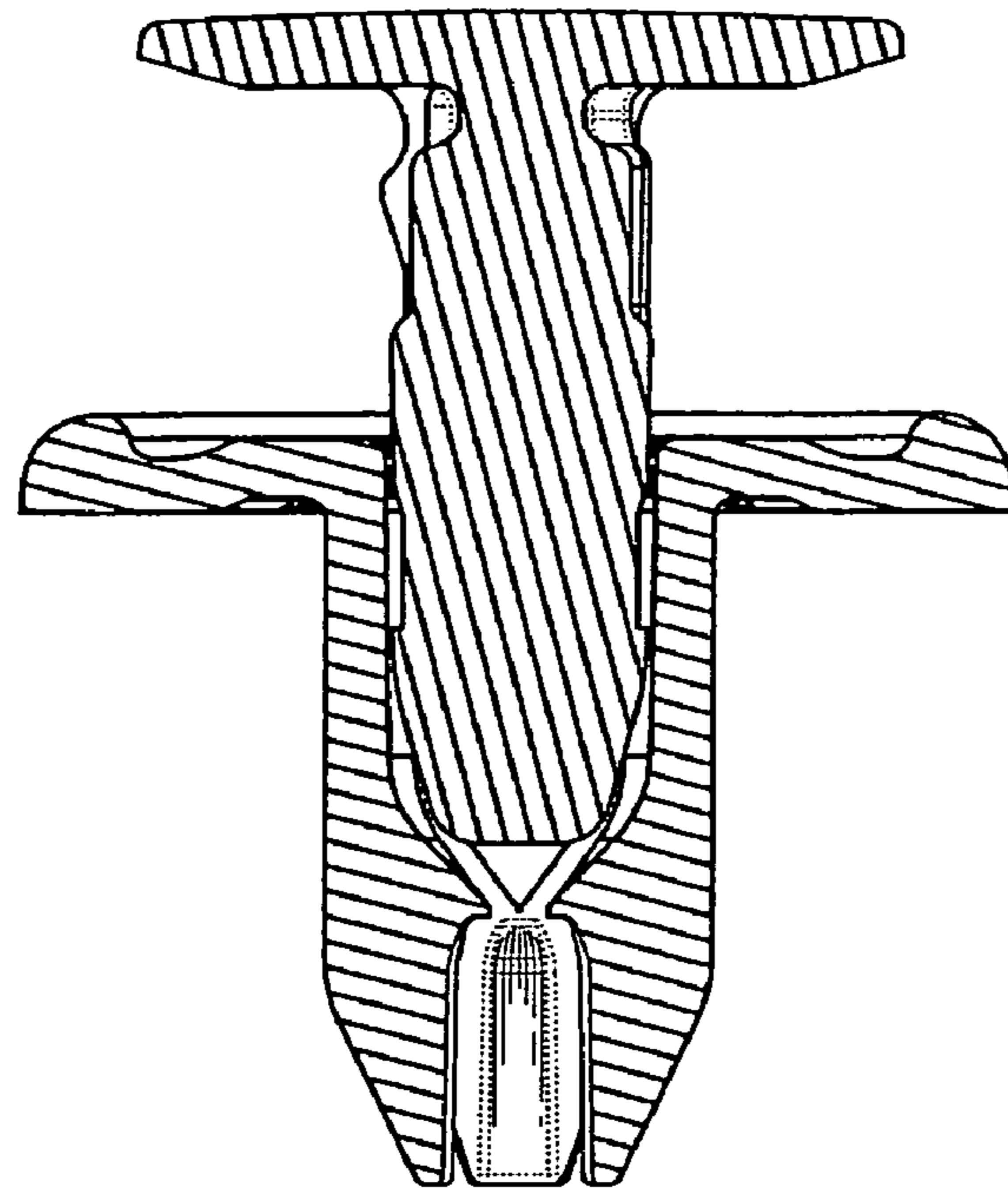


FIG. 10

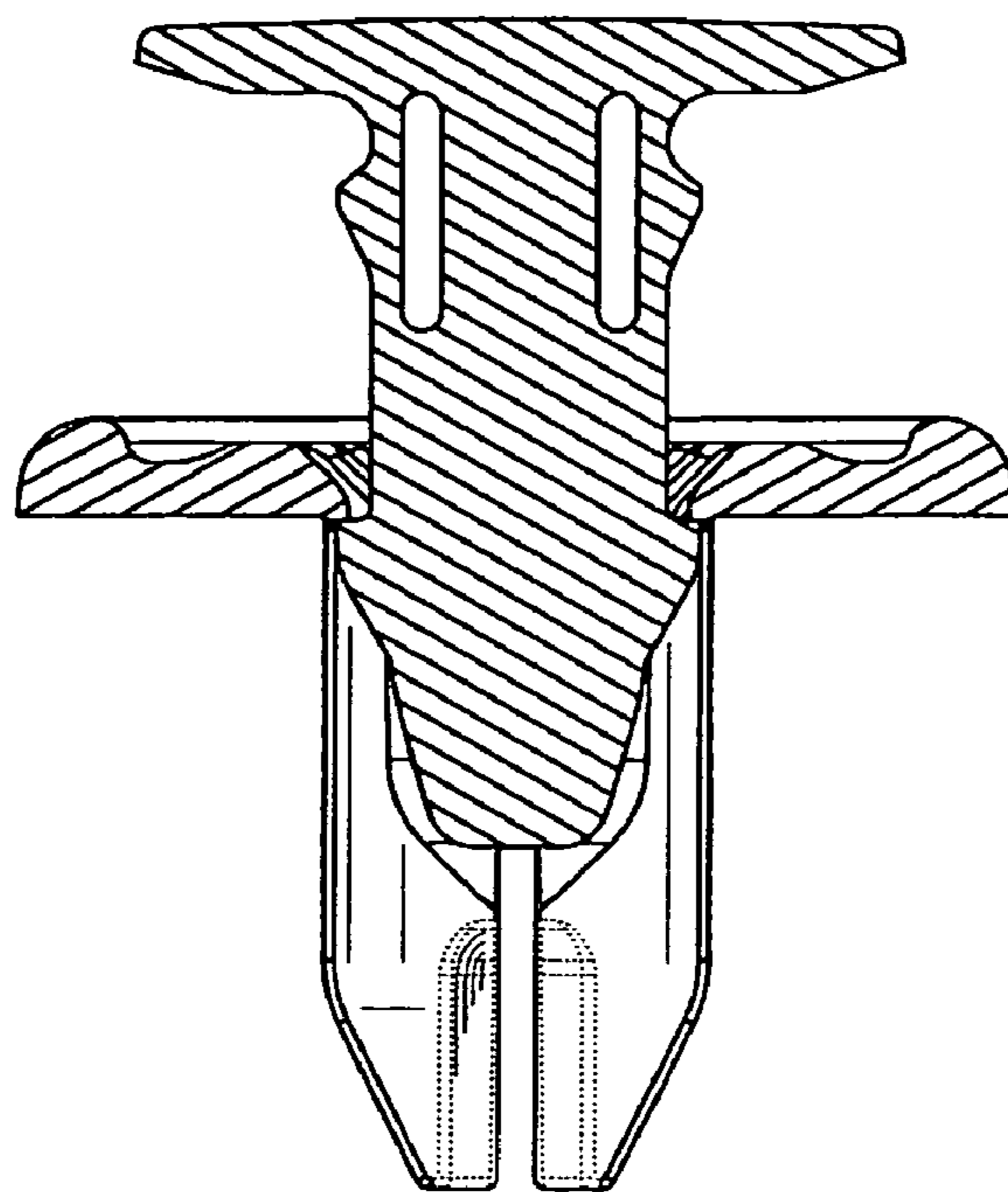


FIG. 11

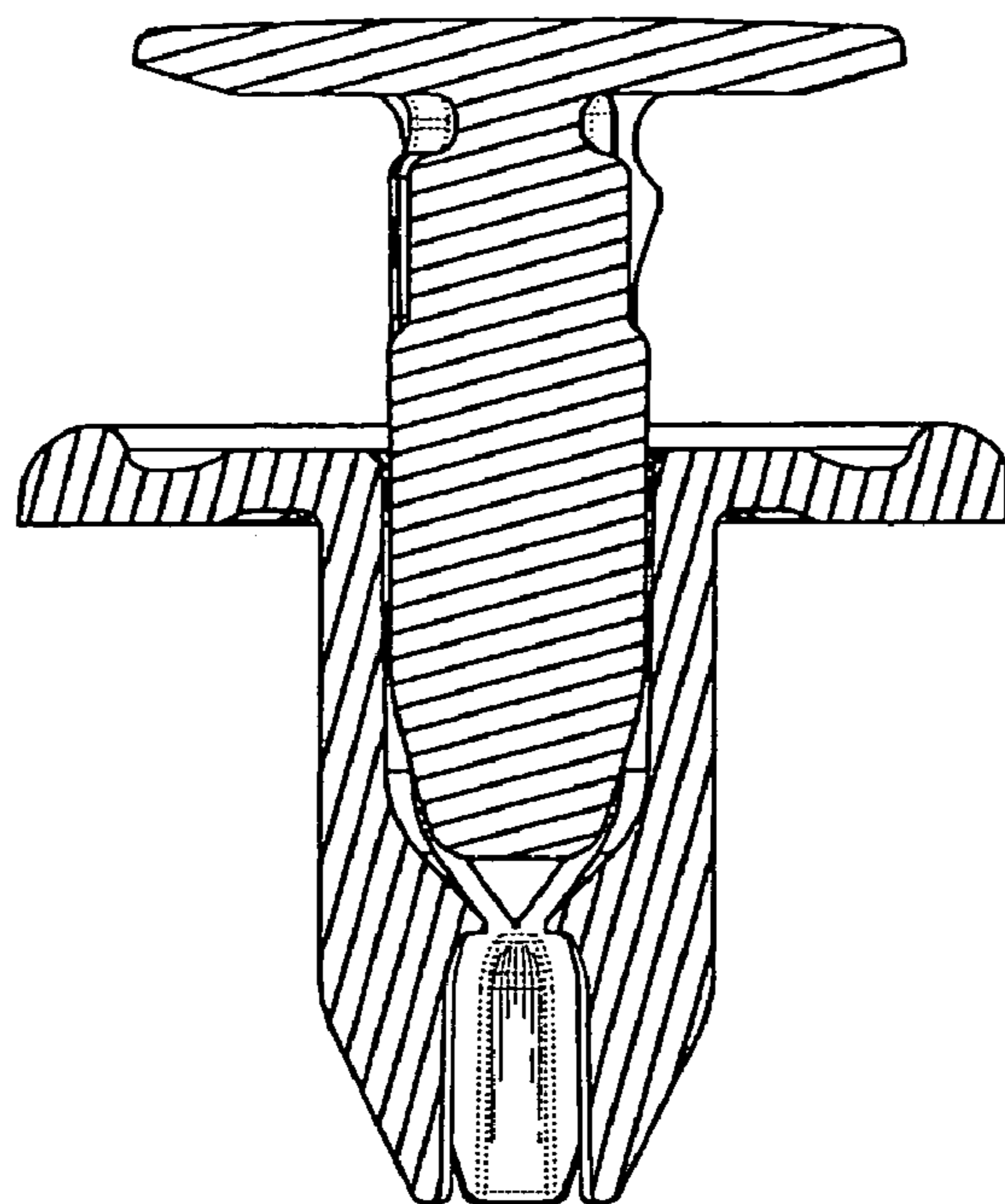


FIG. 12

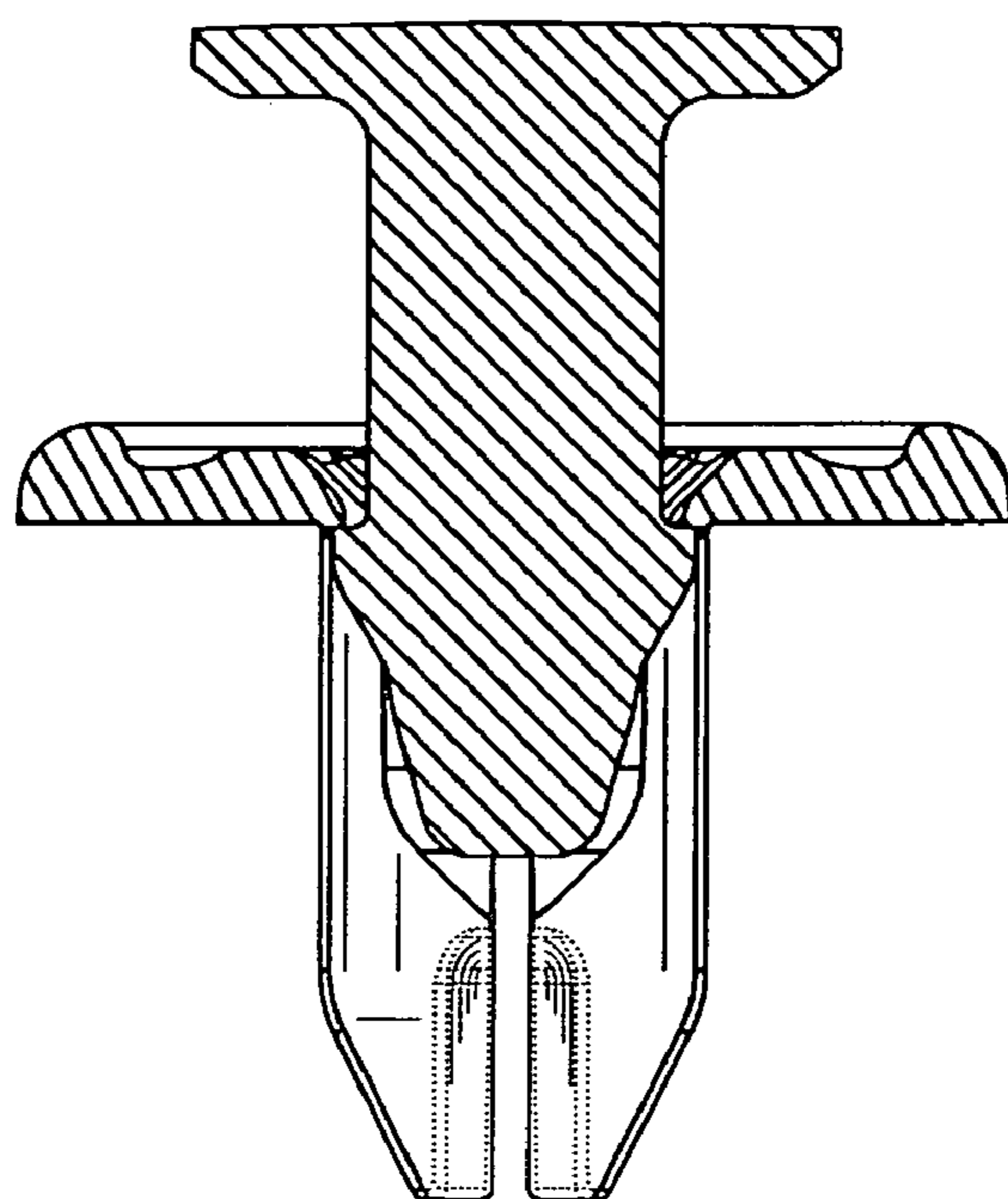


FIG. 13