



US00D673838S

(12) **United States Design Patent**  
**Clark et al.**

(10) **Patent No.:** **US D673,838 S**  
(45) **Date of Patent:** **\*\* Jan. 8, 2013**

(54) **ESCUTCHEON**

(75) Inventors: **Stuart Clark**, Blackburn (AU); **Lisa Edlund-Tjernberg**, Richmond (AU); **Fred Blochlinger**, Richmond (AU); **David Pritchard**, Richmond (AU); **Andrew Perkins**, Blackburn (AU)

(73) Assignee: **Gainsborough Hardware Industries Limited**, Blackburn, Victoria (AU)

(\*\*) Term: **14 Years**

(21) Appl. No.: **29/405,679**

(22) Filed: **Nov. 4, 2011**

(30) **Foreign Application Priority Data**

May 6, 2011 (AU) ..... 12015/2011

(51) **LOC (9) Cl.** ..... **11-05**

(52) **U.S. Cl.** ..... **D8/353**

(58) **Field of Classification Search** ..... D8/300–302,  
D8/308, 404, 339, 320, 350–353; 292/336.3,  
292/347, 357, 356, 348; 70/207, 209, 450,  
70/452; 220/241; 16/110.1, 412, 413, 414,  
16/415

See application file for complete search history.

(56) **References Cited**

**U.S. PATENT DOCUMENTS**

D261,726 S *	11/1981	Valli	.....	D8/301
D261,857 S *	11/1981	Valli	.....	D8/301
D271,374 S *	11/1983	Butts	.....	D8/353
D307,538 S *	5/1990	Tyree	.....	D8/351
D326,806 S *	6/1992	Marques	.....	D8/352
D326,996 S *	6/1992	Birch	.....	D8/350

D393,994 S *	5/1998	Hankel et al.	.....	D8/302
D423,326 S *	4/2000	Moon et al.	.....	D8/353
D423,912 S *	5/2000	Moon et al.	.....	D8/353
D437,771 S *	2/2001	Barnes et al.	.....	D8/352
D471,079 S *	3/2003	Ellis et al.	.....	D8/350
D471,432 S *	3/2003	Ellis et al.	.....	D8/350
D472,130 S *	3/2003	Ellis et al.	.....	D8/350
D472,794 S *	4/2003	LaPlume et al.	.....	D8/350
D499,950 S *	12/2004	Roberts, III	.....	D8/302
D501,634 S *	2/2005	Denoual	.....	D8/302
D517,898 S *	3/2006	Veltz et al.	.....	D8/302
D518,354 S *	4/2006	Veltz	.....	D8/302
D527,976 S *	9/2006	Singtoroj	.....	D8/302
D578,866 S *	10/2008	Kim	.....	D8/353

\* cited by examiner

*Primary Examiner* — Mark Goodwin

(74) *Attorney, Agent, or Firm* — Patterson & Sheridan, LLP

(57) **CLAIM**

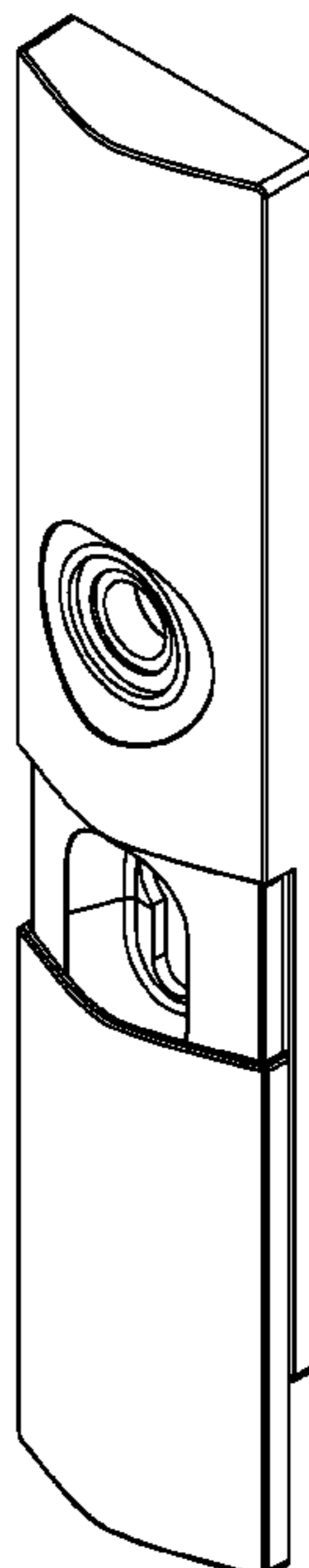
The ornamental design for an escutcheon, as shown and described.

**DESCRIPTION**

FIG. 1 is a front perspective view of an escutcheon in an open position showing our new design;  
FIG. 2 is a front perspective view thereof in a closed position;  
FIG. 3 is a right side elevational view thereof;  
FIG. 4 is a front elevational view thereof;  
FIG. 5 is a left side elevational view thereof;  
FIG. 6 is a rear elevational view thereof;  
FIG. 7 is a bottom plan view thereof; and,  
FIG. 8 is a top plan view thereof.

The broken lines are directed to environment and are for illustrative purposes only; the broken lines form no part of the claimed design.

**1 Claim, 4 Drawing Sheets**



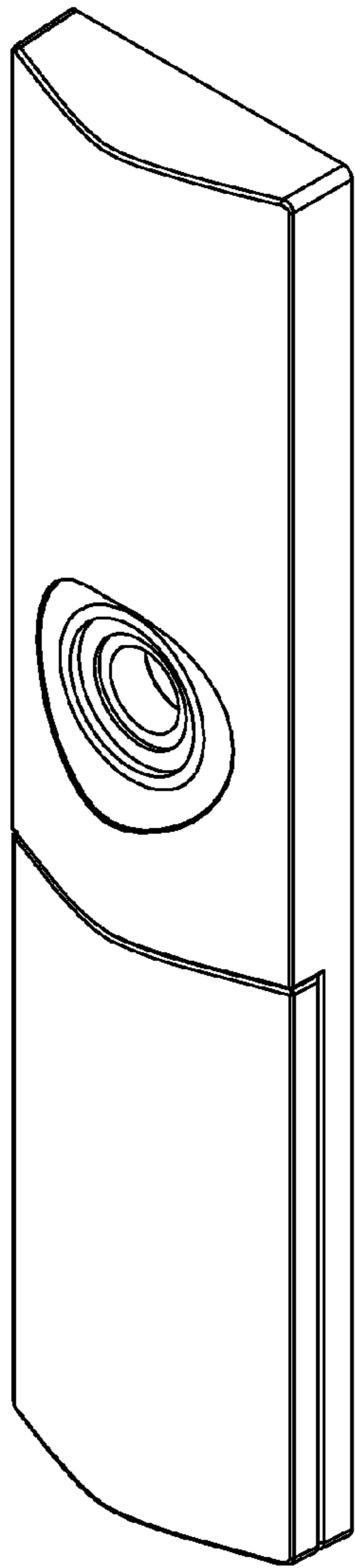


FIG. 2

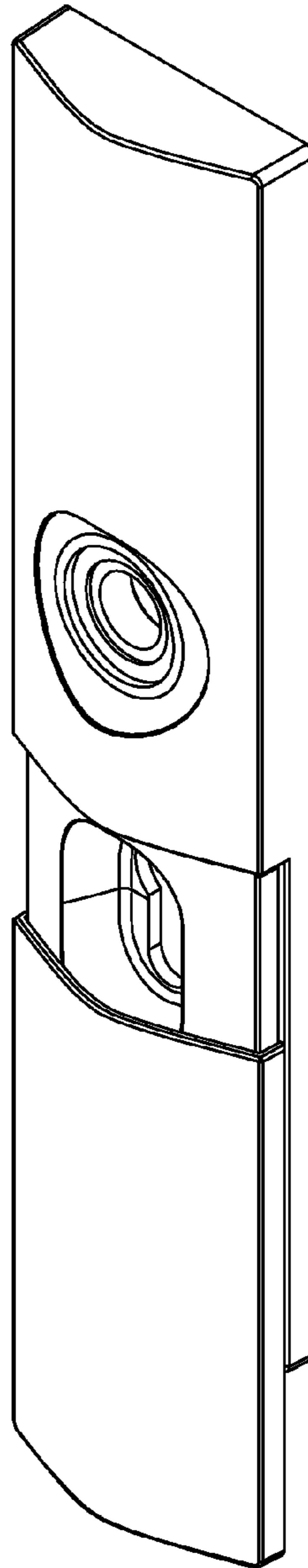


FIG. 1

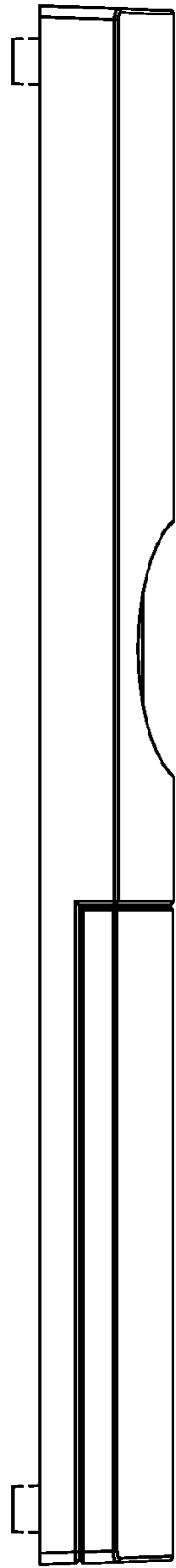


FIG. 5

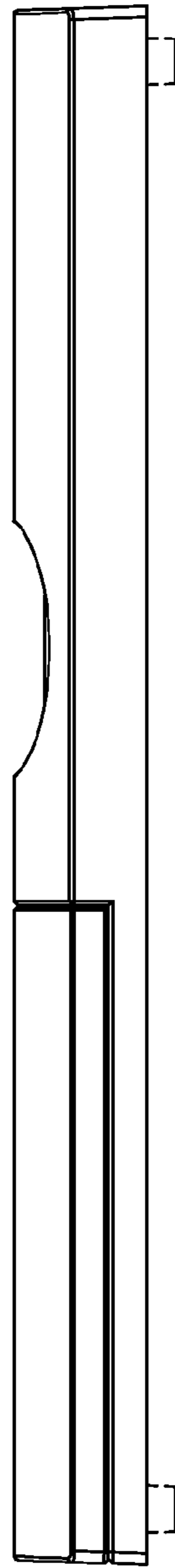


FIG. 3

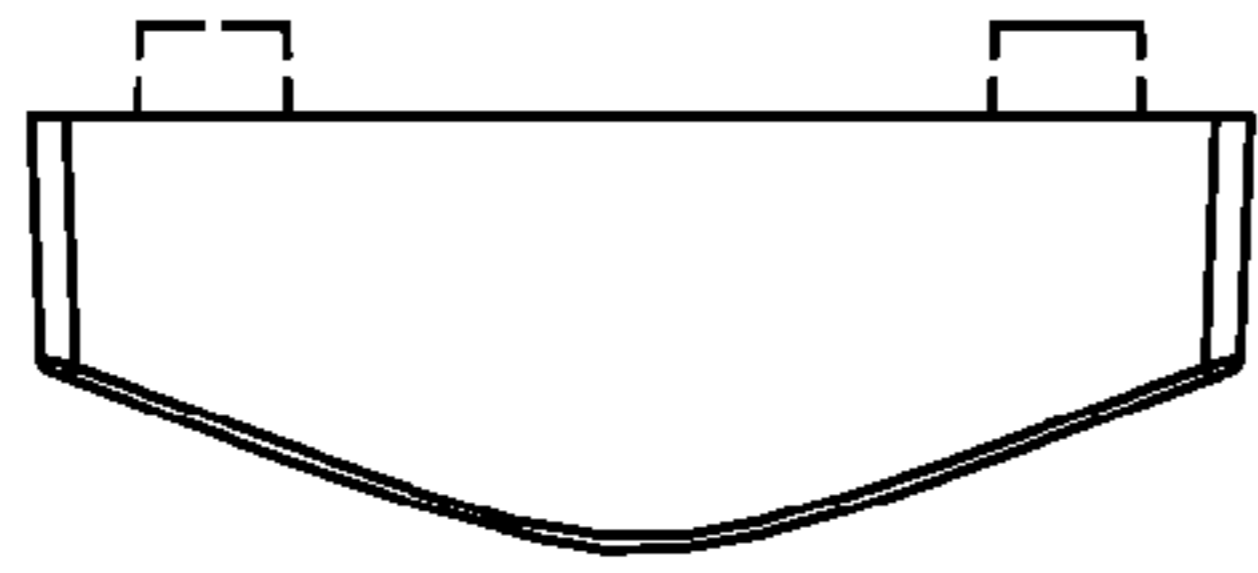


FIG. 8

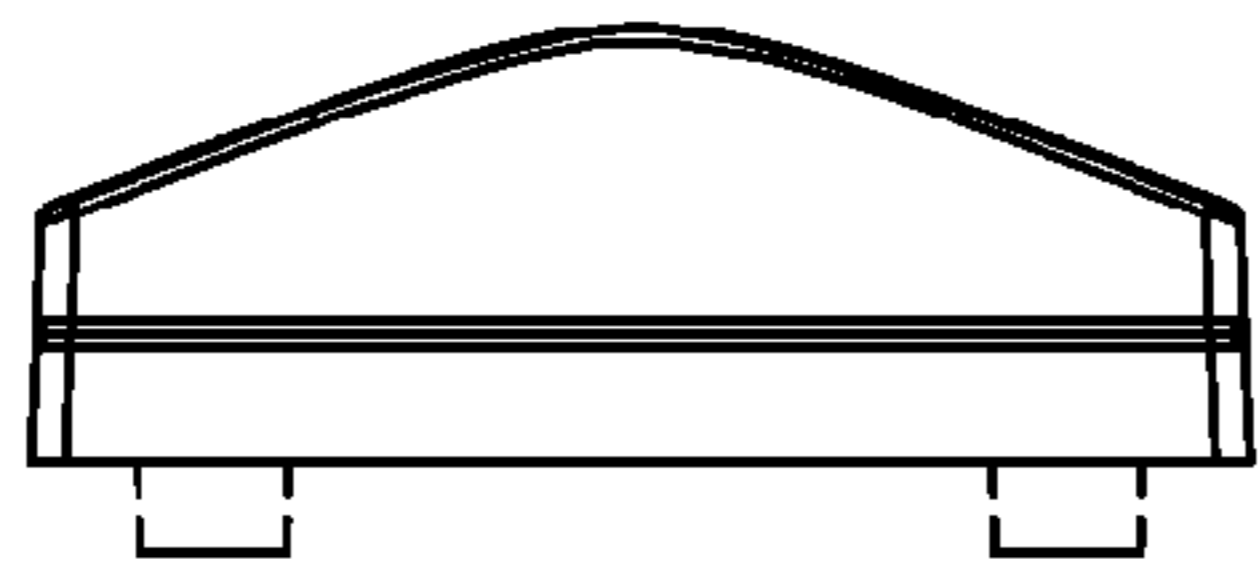


FIG. 7

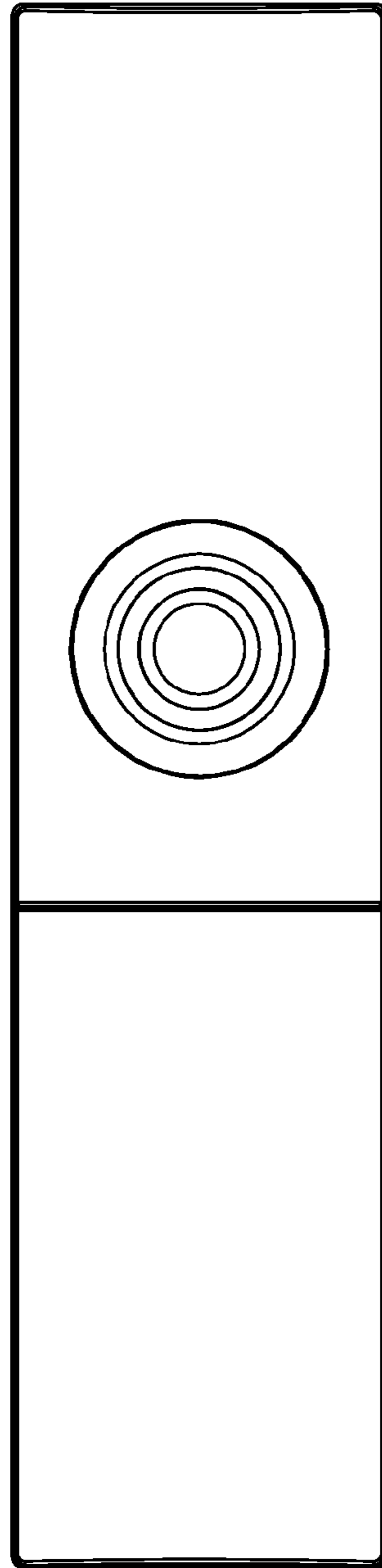


FIG. 4

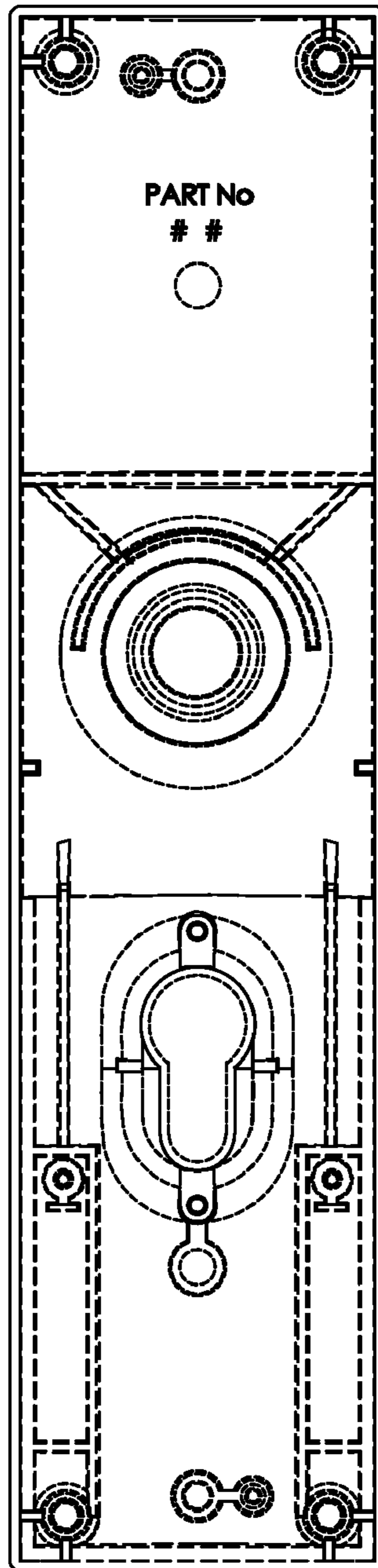


FIG. 6