



US00D673837S

(12) **United States Design Patent**  
**Callif**

(10) **Patent No.:** **US D673,837 S**

(45) **Date of Patent:** **\*\* Jan. 8, 2013**

(54) **WALL PLATE**

(75) Inventor: **Adam William Callif**, Chicago, IL (US)

(73) Assignee: **Liberty Hardware Mfg. Corp.**,  
Winston-Salem, NC (US)

(\*\*) Term: **14 Years**

(21) Appl. No.: **29/426,190**

(22) Filed: **Jul. 2, 2012**

(51) **LOC (9) Cl.** ..... **11-05**

(52) **U.S. Cl.** ..... **D8/350; D8/353**

(58) **Field of Classification Search** ..... D8/350–353;  
D10/108, 123, 125; D13/156, 158, 162,  
D13/169, 171, 174, 177, 184; 200/330; 250/462.1;  
220/241; 174/66, 67

See application file for complete search history.

(56) **References Cited**

**U.S. PATENT DOCUMENTS**

D141,030	S	*	4/1945	Wheeler, Jr.	.....	D8/353
D180,047	S	*	4/1957	Truex	.....	D8/353
D237,043	S	*	10/1975	Mori	.....	D8/351
D237,045	S	*	10/1975	Mori	.....	D8/351
D242,523	S	*	11/1976	Emmerling	.....	D8/350
D243,822	S	*	3/1977	Grieb	.....	D8/351
D243,919	S	*	4/1977	Grieb	.....	D8/350
D243,920	S	*	4/1977	Fine	.....	D8/350
D244,003	S	*	4/1977	Grieb	.....	D8/350
D244,423	S	*	5/1977	Grieb	.....	D8/350
D245,223	S	*	8/1977	Fine	.....	D8/350
D257,662	S	*	12/1980	Brezney	.....	D8/350
D276,976	S	*	1/1985	Tegner	.....	D8/351
D290,338	S	*	6/1987	Tegner	.....	D8/350
D307,538	S	*	5/1990	Tyree	.....	D8/351
D396,401	S	*	7/1998	Christie	.....	D8/353
D471,079	S	*	3/2003	Ellis et al.	.....	D8/350
D472,130	S	*	3/2003	Ellis et al.	.....	D8/350
D472,794	S	*	4/2003	LaPlume et al.	.....	D8/350
D476,549	S	*	7/2003	Shaw	.....	D8/353
D502,384	S	*	3/2005	Underhill et al.	.....	D8/350

D502,385	S	*	3/2005	Underhill et al.	.....	D8/350
D502,861	S	*	3/2005	Fields	.....	D8/353
D502,862	S	*	3/2005	Fields	.....	D8/353
D502,863	S	*	3/2005	Fields	.....	D8/353
D503,284	S	*	3/2005	Fields	.....	D8/353
D503,608	S	*	4/2005	Fields	.....	D8/353
D506,917	S	*	7/2005	Fields	.....	D8/350
D511,959	S	*	11/2005	Roychowdhury	.....	D8/351
D517,898	S	*	3/2006	Veltz et al.	.....	D8/302
D518,354	S	*	4/2006	Veltz	.....	D8/302
D534,057	S	*	12/2006	Fields	.....	D8/350
D534,058	S	*	12/2006	Fields	.....	D8/353
D534,787	S	*	1/2007	Fields	.....	D8/353
D536,951	S	*	2/2007	Fields	.....	D8/351
D561,006	S	*	2/2008	Krumpe et al.	.....	D8/350
D562,111	S	*	2/2008	Krumpe et al.	.....	D8/350
D567,632	S	*	4/2008	Gamble	.....	D8/350
D578,866	S	*	10/2008	Kim	.....	D8/353

\* cited by examiner

*Primary Examiner* — Mark Goodwin

(74) *Attorney, Agent, or Firm* — Lora J. Graentzdoerffer;  
Nirav D. Parikh; Edgar A. Zarins

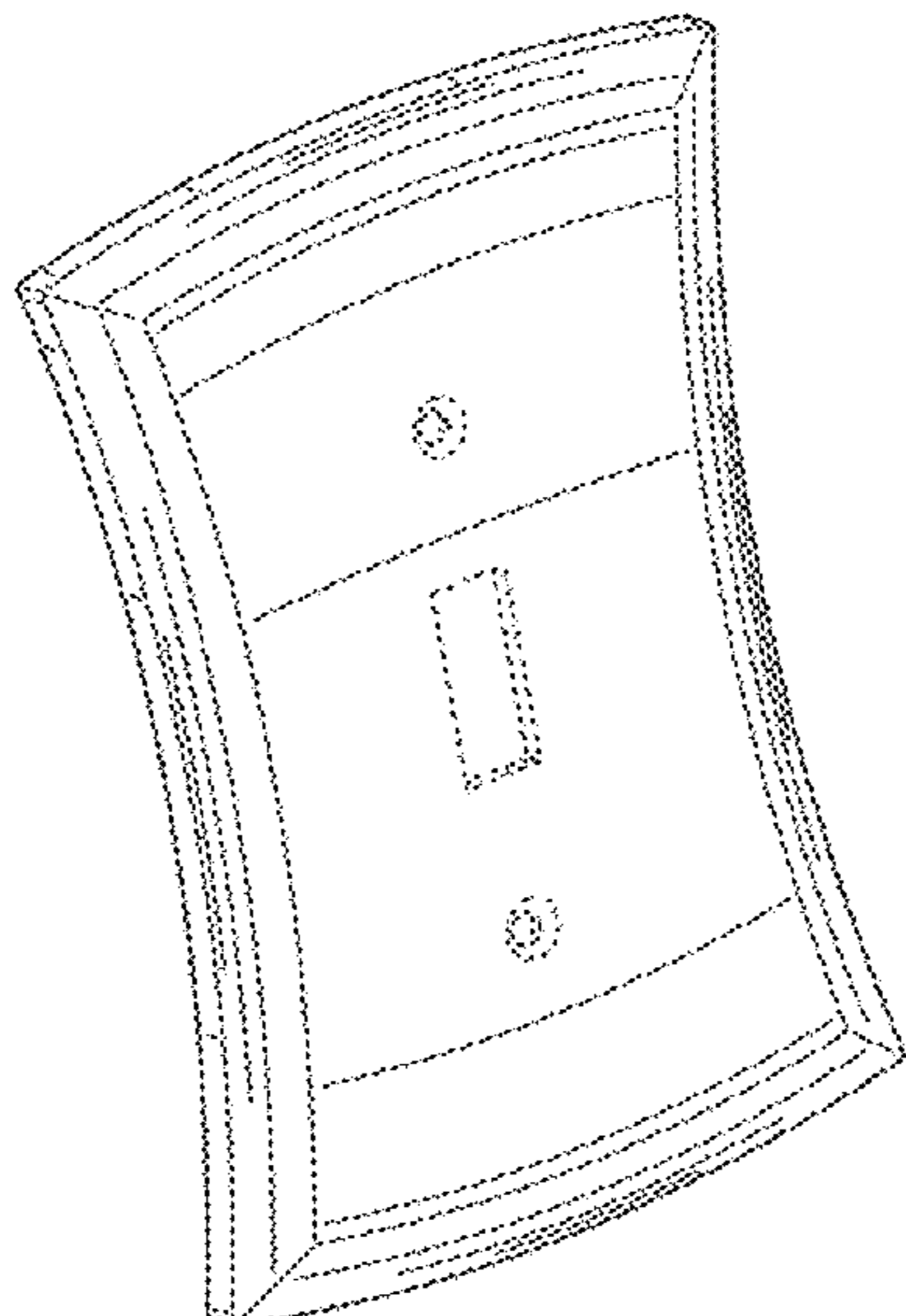
(57) **CLAIM**

The ornamental design for a wall plate, as shown and described.

**DESCRIPTION**

FIG. 1 is a front perspective view of a wall plate showing my new design;  
FIG. 2 is a front elevational view thereof;  
FIG. 3 is a rear elevational view thereof;  
FIG. 4 is a right side elevational view thereof;  
FIG. 5 is a left side elevational view thereof;  
FIG. 6 is a top plan view thereof; and,  
FIG. 7 is a bottom plan view thereof.  
The broken-line disclosure in the views represents portions of the article in which the claimed design is embodied, but which form no part of the claimed design.

**1 Claim, 5 Drawing Sheets**



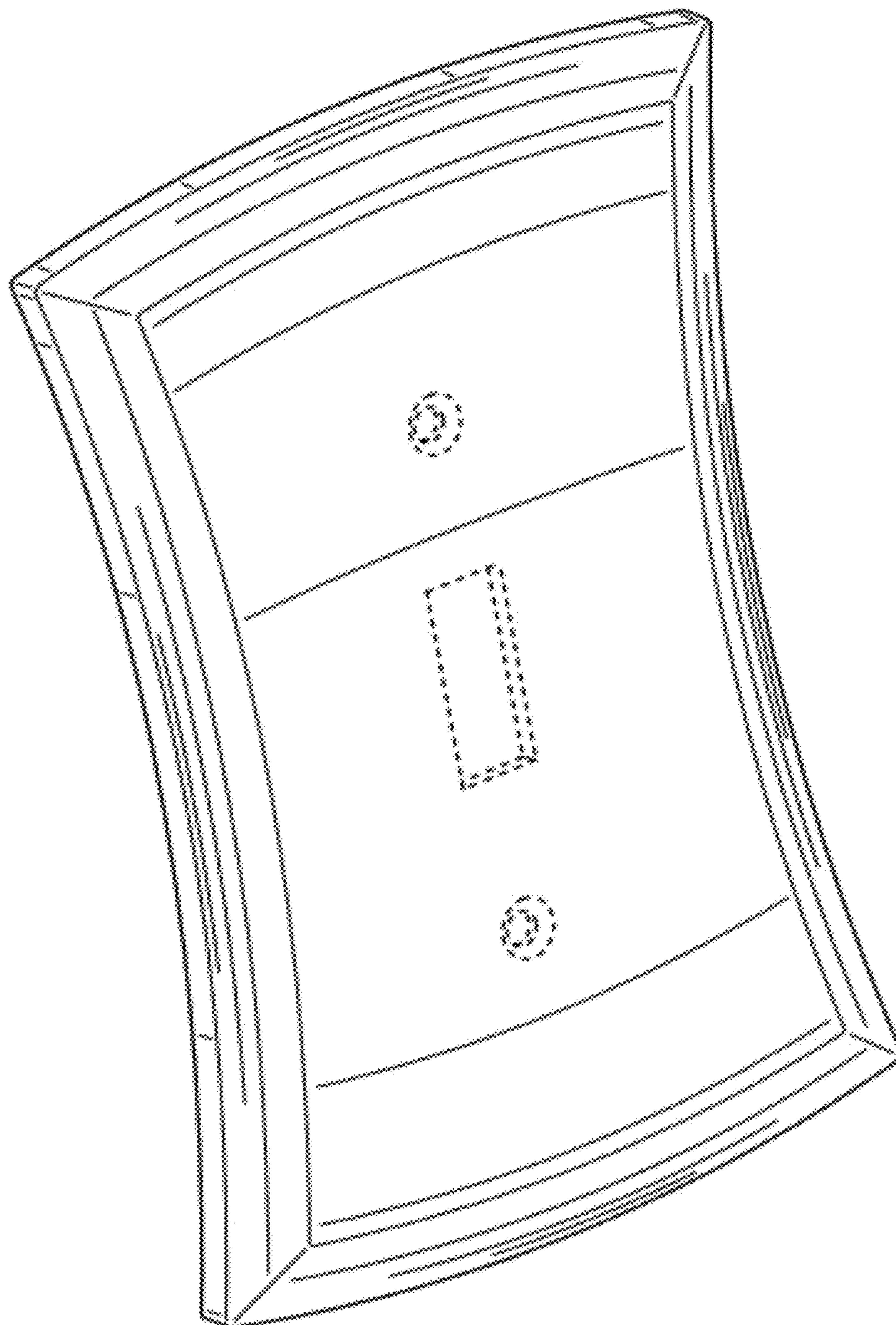


FIG. 1

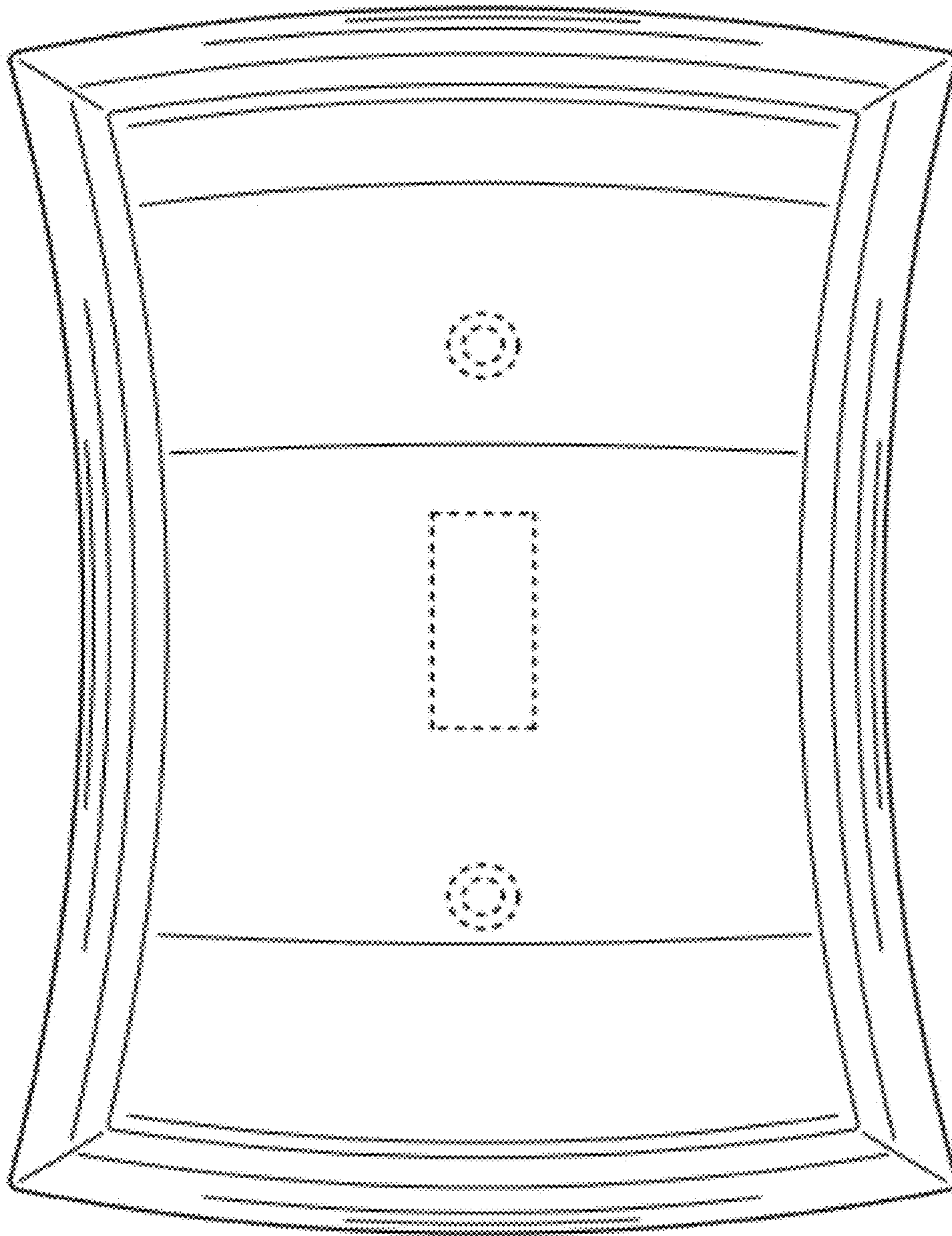


FIG. 2

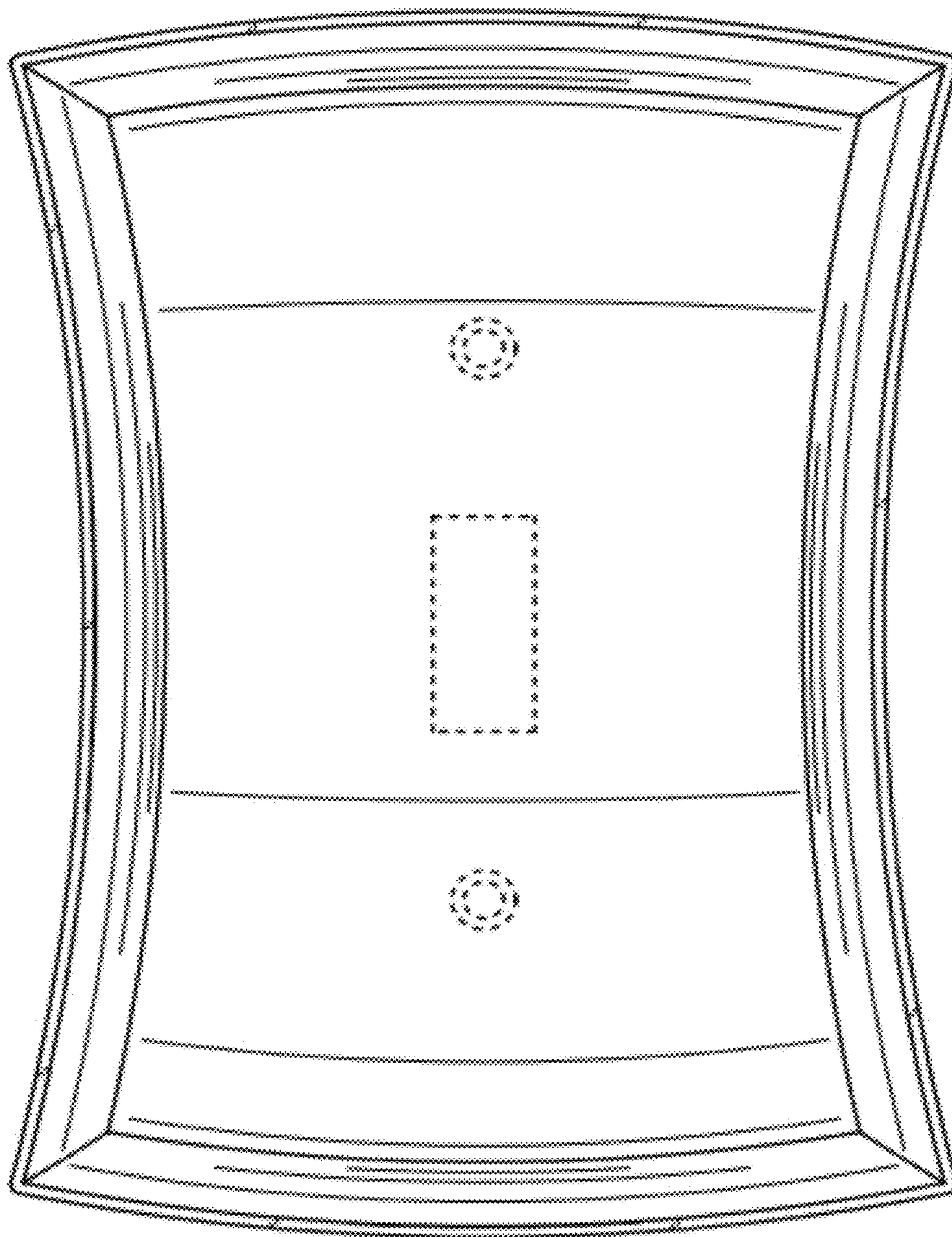


FIG. 3

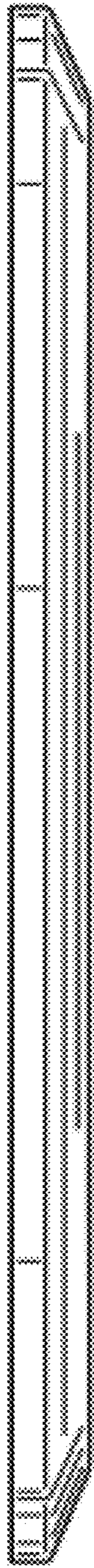


FIG. 4

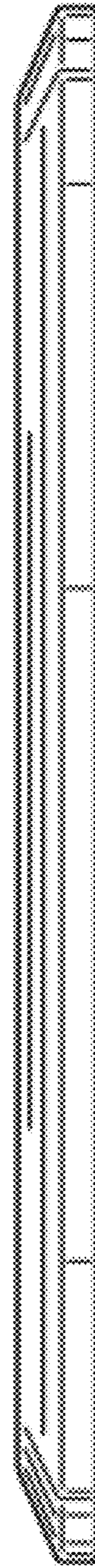


FIG. 5

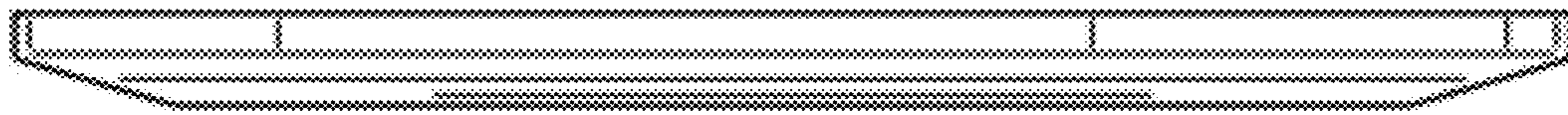


FIG. 6

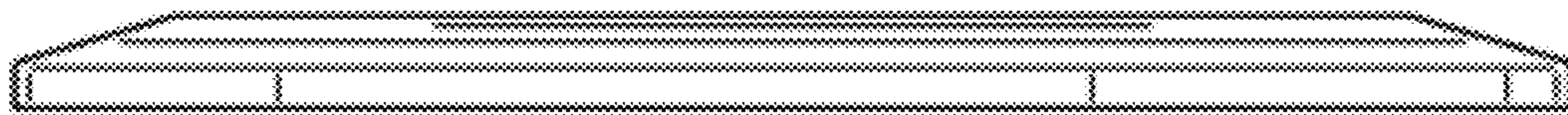


FIG. 7