



US00D673836S

(12) **United States Design Patent**
Stevens et al.

(10) **Patent No.:** US D673,836 S
(45) **Date of Patent:** ** Jan. 8, 2013

(54) **LOCK**

(75) Inventors: **Scott B. Stevens**, St. Francis, WI (US);
Zachery T. Nave, Oak Creek, WI (US)

(73) Assignee: **Master Lock Company LLC**, Oak
Creek, WI (US)

(**) Term: **14 Years**

(21) Appl. No.: **29/404,732**

(22) Filed: **Oct. 25, 2011**

(51) **LOC (9) Cl.** **08-07**

(52) **U.S. Cl.** **D8/334; D8/343**

(58) **Field of Classification Search** D8/330,
D8/331, 334, 333, 335, 339; 70/20, 24-29,
70/31, 35, 38 R, 40-48, 14

See application file for complete search history.

(56) **References Cited**

U.S. PATENT DOCUMENTS

548,757 A 10/1895 Kellogg
(Continued)

FOREIGN PATENT DOCUMENTS

JP 76401 10/1937

Primary Examiner — Prabhakar Deshmukh

(74) *Attorney, Agent, or Firm* — Calfee, Halter & Griswold
LLP

(57) **CLAIM**

I claim the ornamental design for a lock, as shown and described.

DESCRIPTION

FIG. 1 is a front perspective view of a lock showing the new design;

FIG. 2 is a top view of the lock of FIG. 1;

FIG. 3 is a front view of the lock of FIG. 1;

FIG. 4 is a rear view of the lock of FIG. 1;

FIG. 5 is a bottom view of the lock of FIG. 1;

FIG. 6 is a right side view of the lock of FIG. 1;

FIG. 7 is a left side view of the lock of FIG. 1;

FIG. 8 is a front perspective view of another lock showing the new design;

FIG. 9 is a top view of the lock of FIG. 8;

FIG. 10 is a front view of the lock of FIG. 8;

FIG. 11 is a rear view of the lock of FIG. 8;

FIG. 12 is a bottom view of the lock of FIG. 8;

FIG. 13 is a right side view of the lock of FIG. 8;

FIG. 14 is a left side view of the lock of FIG. 8;

FIG. 15 is a front perspective view of another lock showing the new design;

FIG. 16 is a top view of the lock of FIG. 15;

FIG. 17 is a front view of the lock of FIG. 15;

FIG. 18 is a rear view of the lock of FIG. 15;

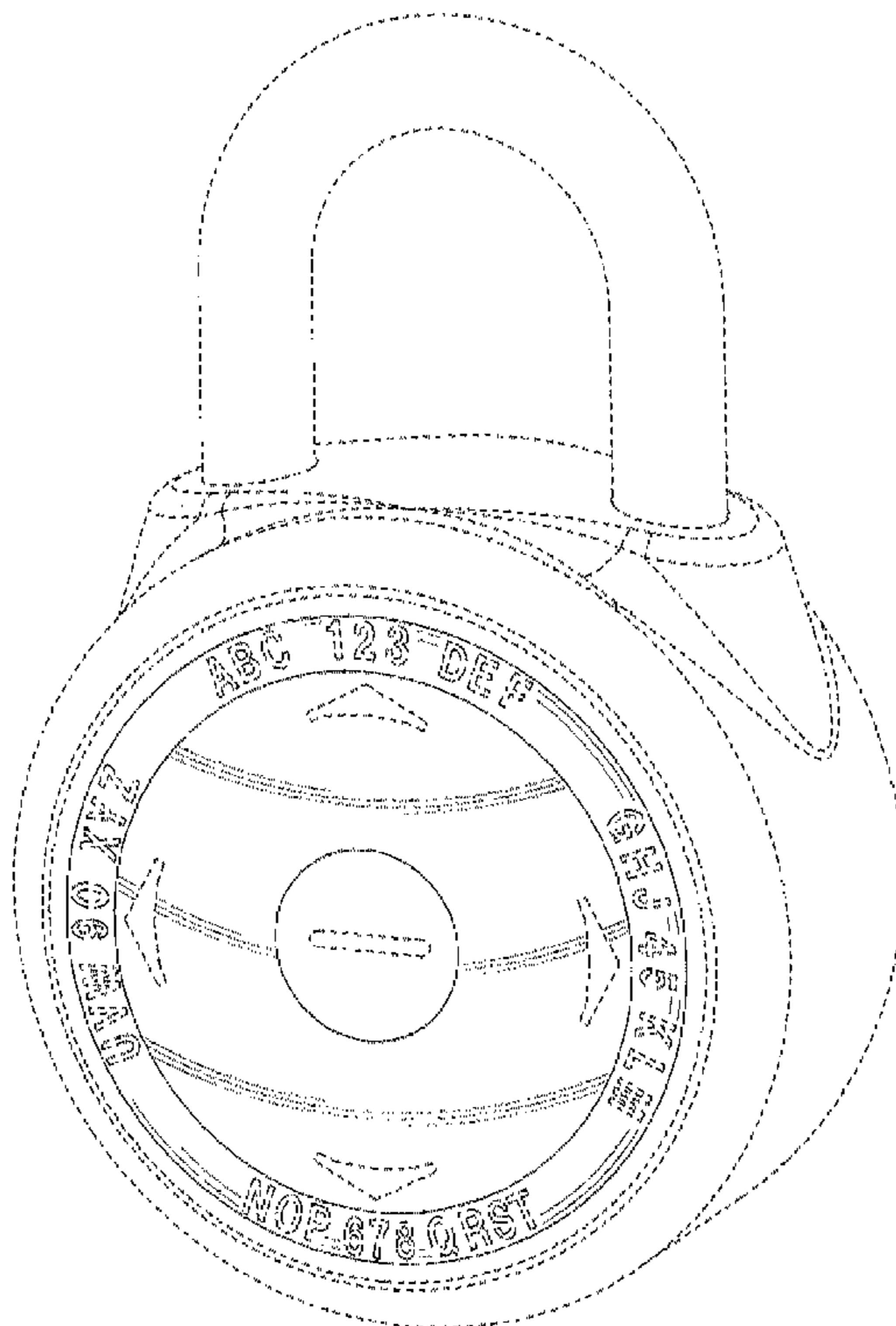
FIG. 19 is a bottom view of the lock of FIG. 15;

FIG. 20 is a right side view of the lock of FIG. 15; and,

FIG. 21 is a left side view of the lock of FIG. 15.

The portions of the Figures shown in phantom lines are for illustrative purpose only and form no part of the claimed design.

1 Claim, 12 Drawing Sheets



US D673,836 S

Page 2

U.S. PATENT DOCUMENTS

1,239,010	A	9/1917	Hodges				
1,415,327	A	5/1922	Fonos				
1,866,273	A	7/1932	Sinner				
1,902,214	A	3/1933	Buettner et al.				
2,132,201	A	10/1938	Allman				
2,931,204	A *	4/1960	Check	70/21			
3,952,559	A *	4/1976	Atkinson	70/25			
4,224,813	A	9/1980	Hampton				
4,421,311	A *	12/1983	Sebesteny	273/153 S			
D276,408	S *	11/1984	Zabel et al.	D8/334			
4,754,626	A	7/1988	Siegel				
5,345,794	A	9/1994	Jenks				
D360,348	S *	7/1995	Kusmiss	D8/334			
5,522,243	A	6/1996	Kusmiss				
5,572,890	A	11/1996	Carpenter				
D396,798	S	8/1998	Adelmeyer et al.				
D397,026	S	8/1998	Drake				
D416,467	S *	11/1999	Castellanos et al.	D8/334			
D426,763	S	6/2000	Adler et al.				
D427,884	S	7/2000	Castellanos et al.				
D433,314	S	11/2000	Mimlitch et al.				
D435,428	S	12/2000	Ling				
6,298,694	B1 *	10/2001	Knoll	70/25			
D455,639	S	4/2002	McDaid et al.				
6,401,501	B1	6/2002	Kajuch et al.				
D476,216	S	6/2003	Vito				
D488,050	S	4/2004	Fonfeder				
6,718,803	B2	4/2004	Knoll				
D512,901	S	12/2005	Haber				
6,993,943	B1	2/2006	Chang				
7,047,772	B2	5/2006	Yu				
D528,401	S	9/2006	Ruan				
D533,764	S	12/2006	Heppner				
D537,703	S	3/2007	Kearns et al.				
D541,228	S	4/2007	Thursfield				
D541,630	S	5/2007	Blomstrom et al.				
D545,177	S	6/2007	Vito				
D549,552	S	8/2007	Huang				
D567,628	S	4/2008	Rohde et al.				
D569,226	S	5/2008	Brewster et al.				
D573,871	S *	7/2008	Nave et al.	D8/334			
D582,251	S	12/2008	Mackey et al.				
D594,731	S	6/2009	Plato				
D605,494	S	12/2009	Plato				
D629,280	S	12/2010	Plato				
D637,062	S	5/2011	Plato				
D638,279	S *	5/2011	Plato	D8/334			
D646,953	S *	10/2011	Schmidt et al.	D8/334			
D662,394	S *	6/2012	Schmidt et al.	D8/334			

* cited by examiner

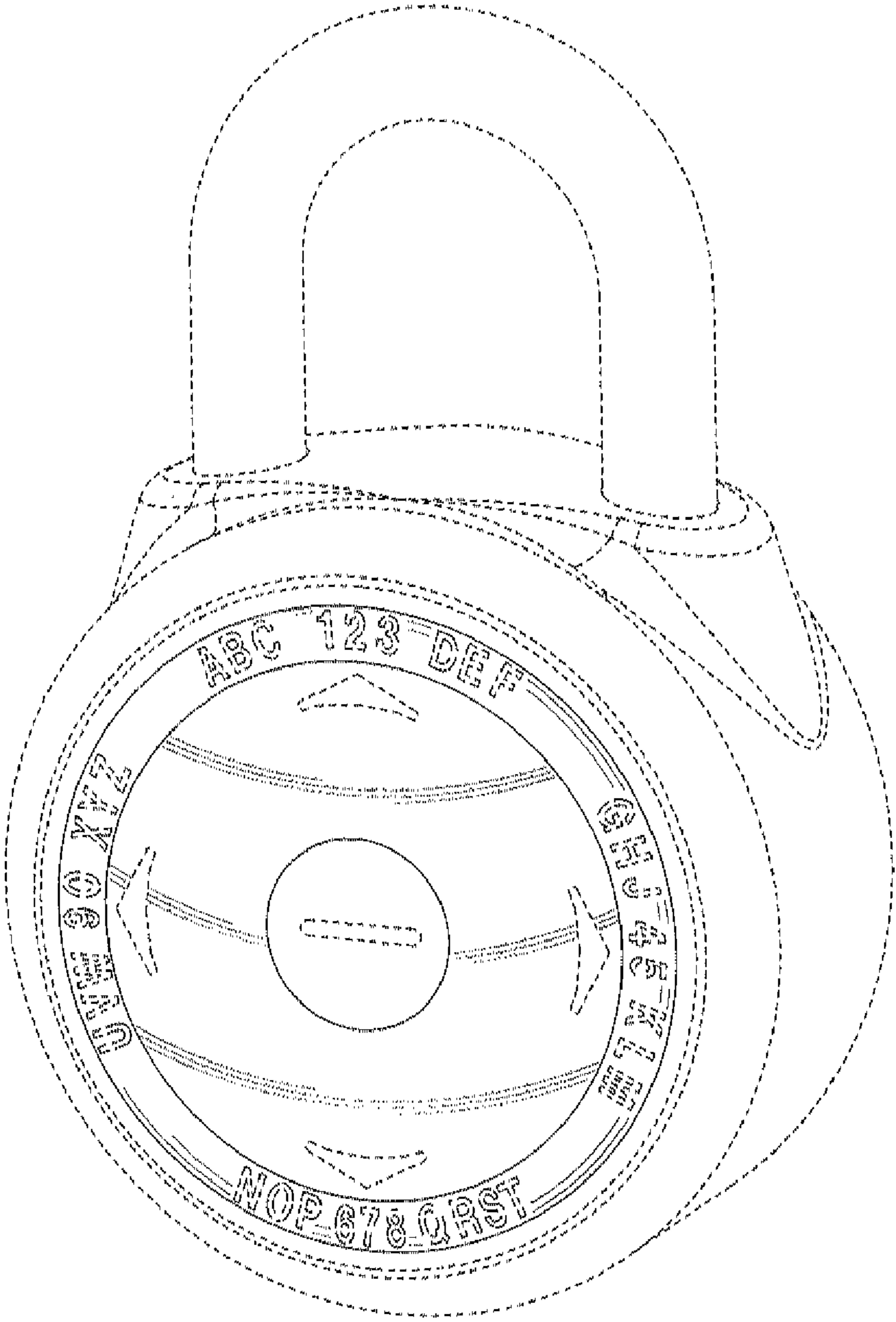


FIG. 1

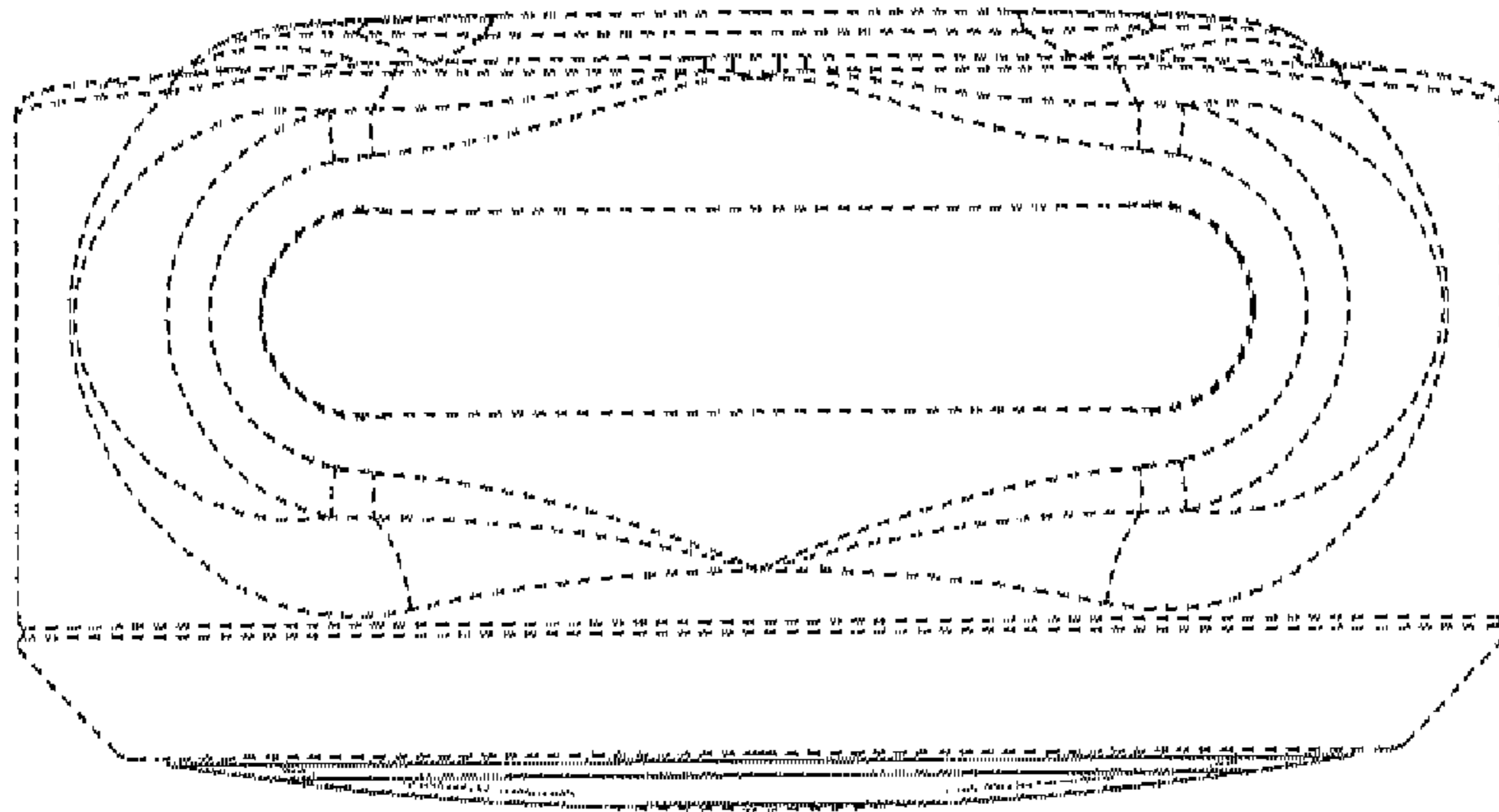


FIG. 2

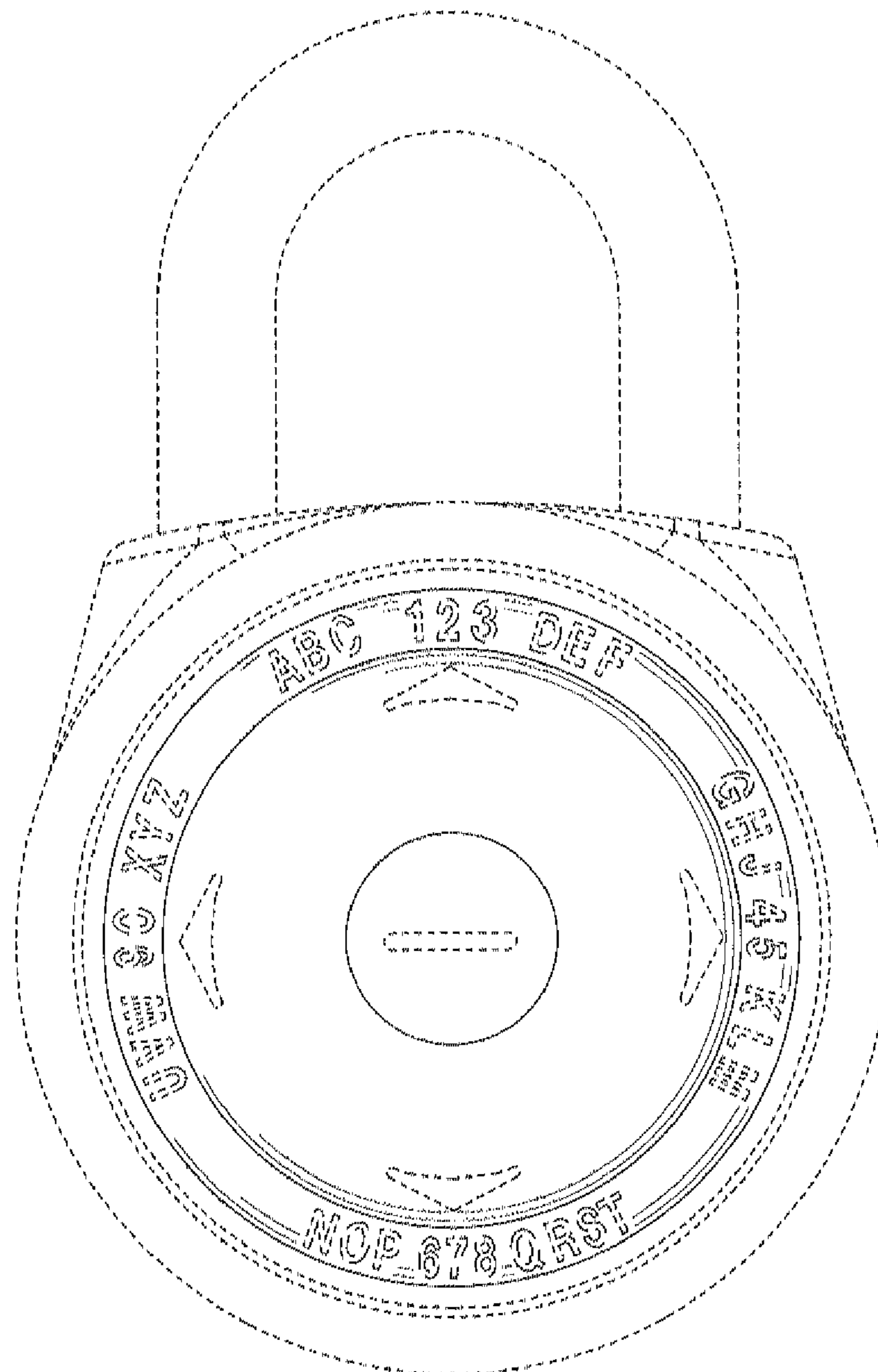


FIG. 3

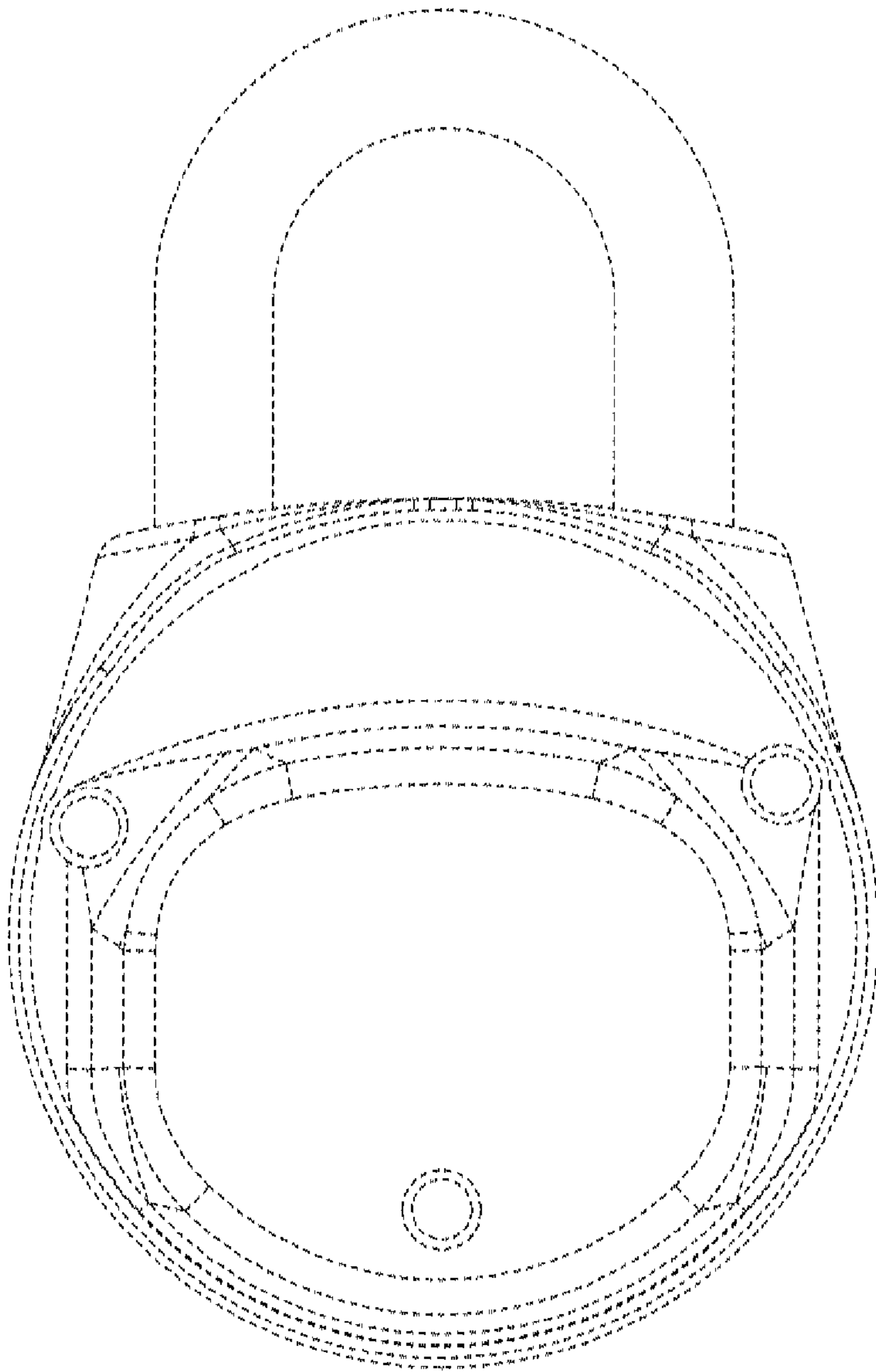


FIG. 4

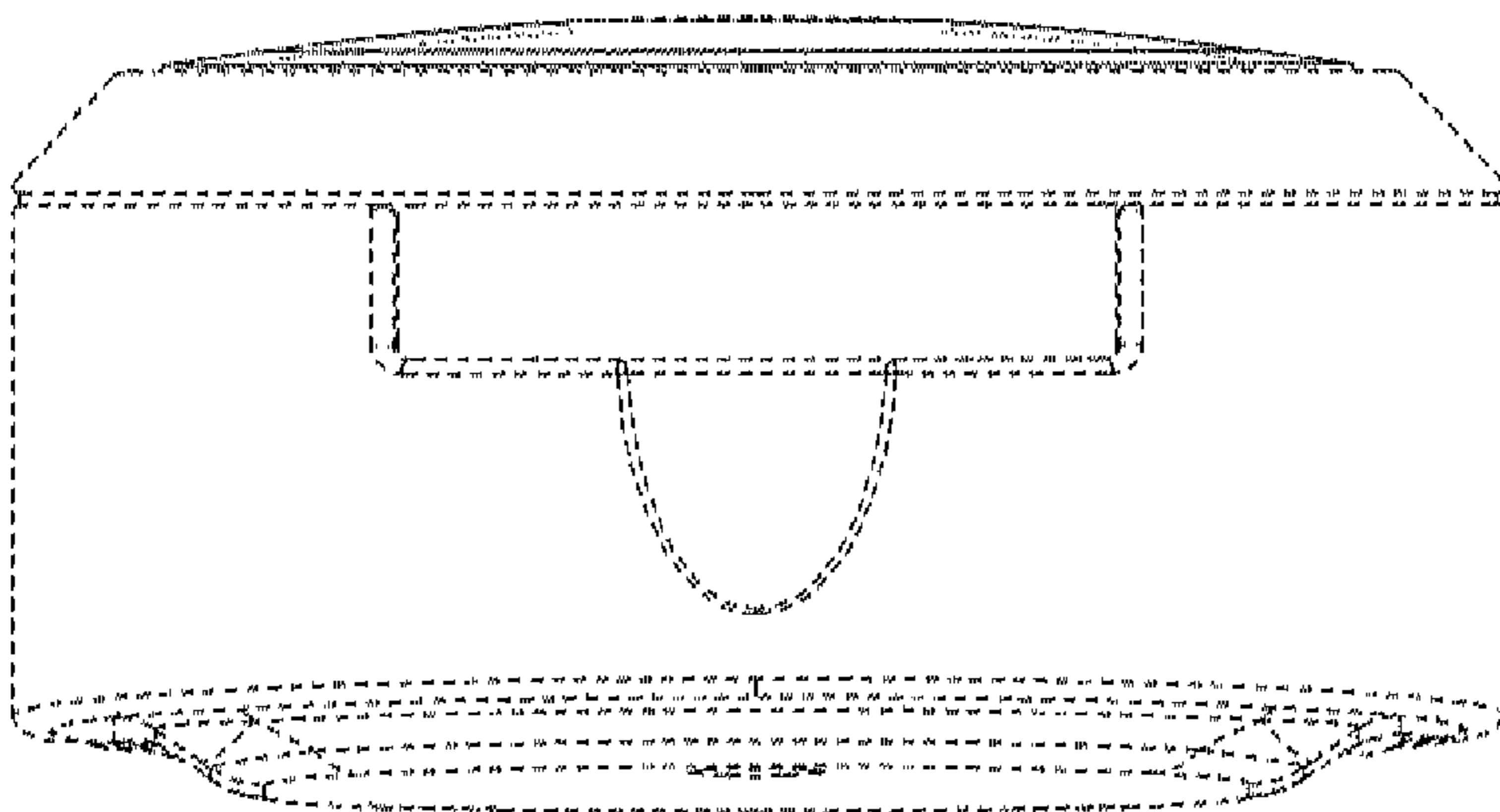


FIG. 5

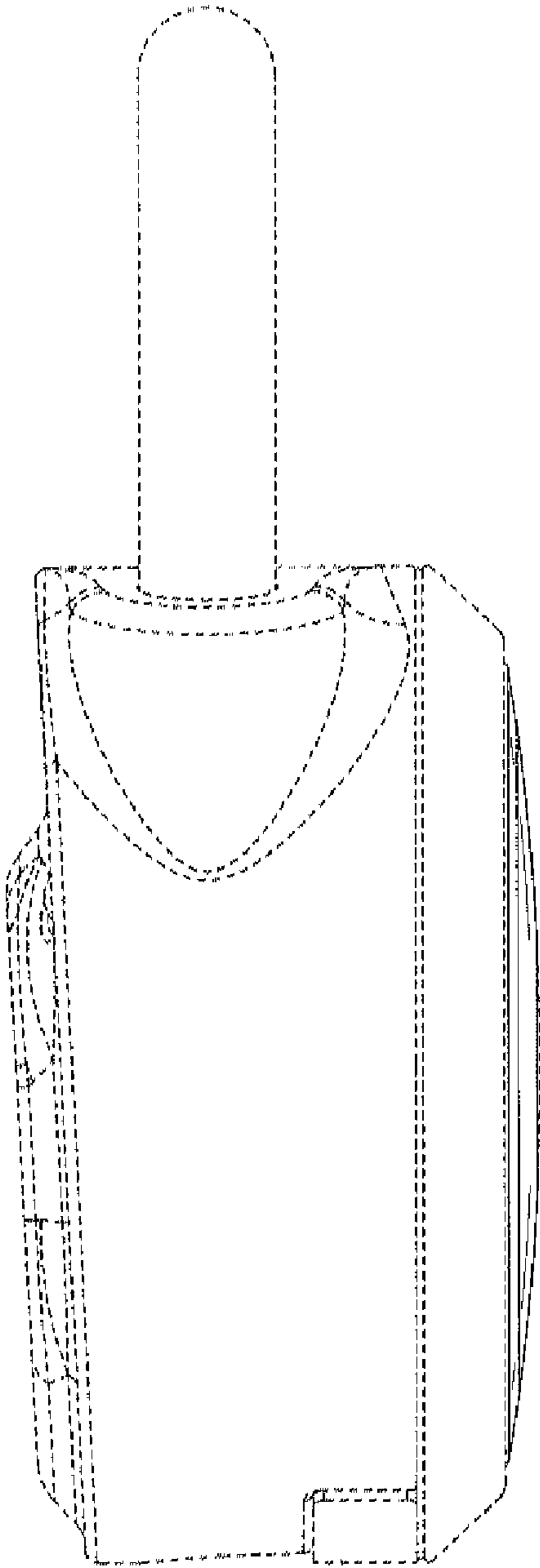


FIG. 6

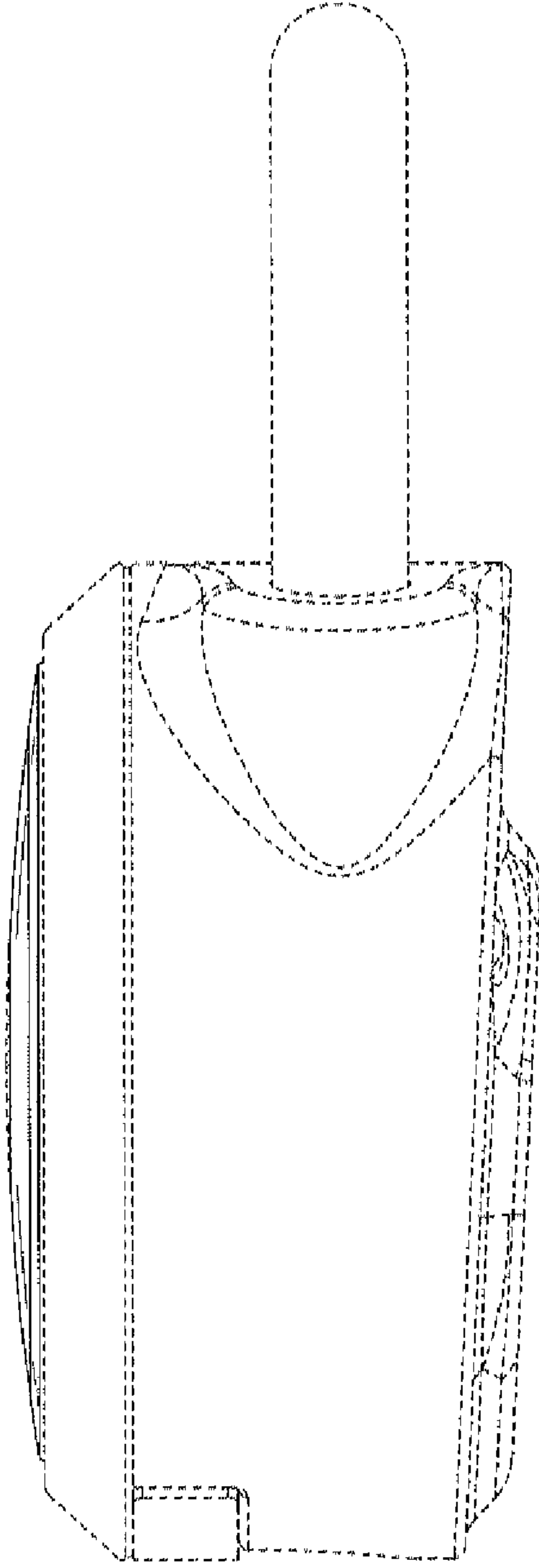


FIG. 7

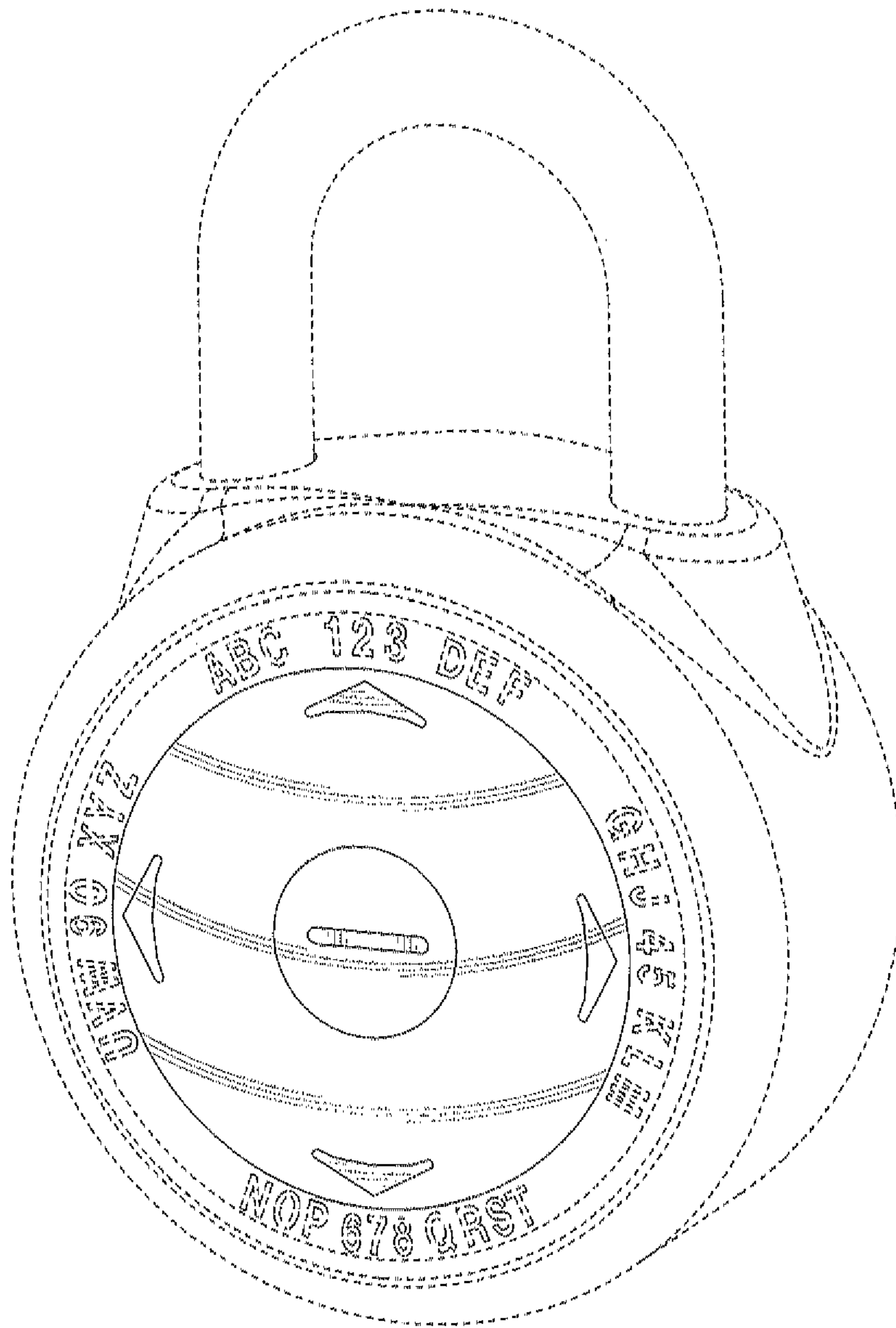


FIG. 8

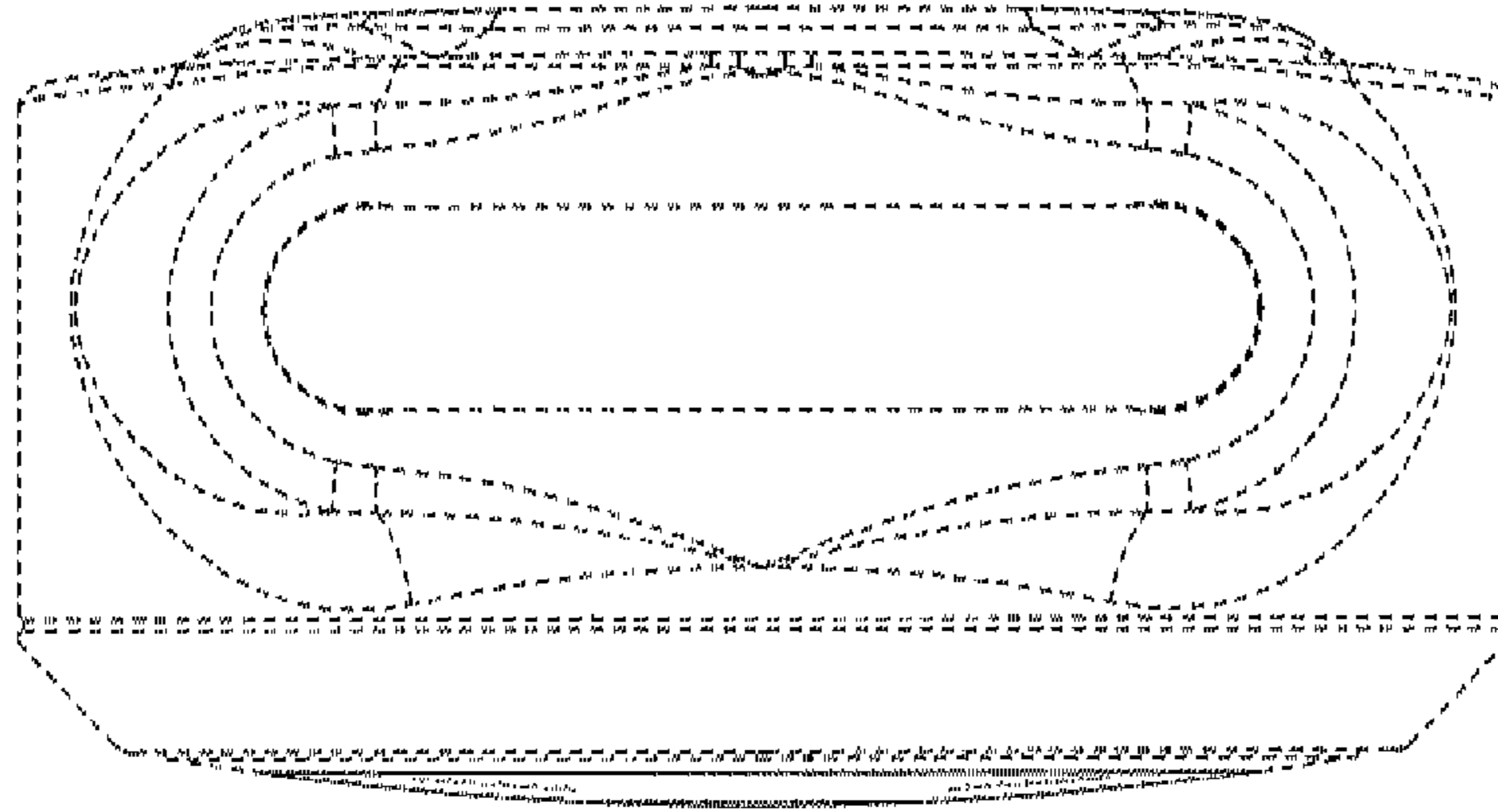


FIG. 9

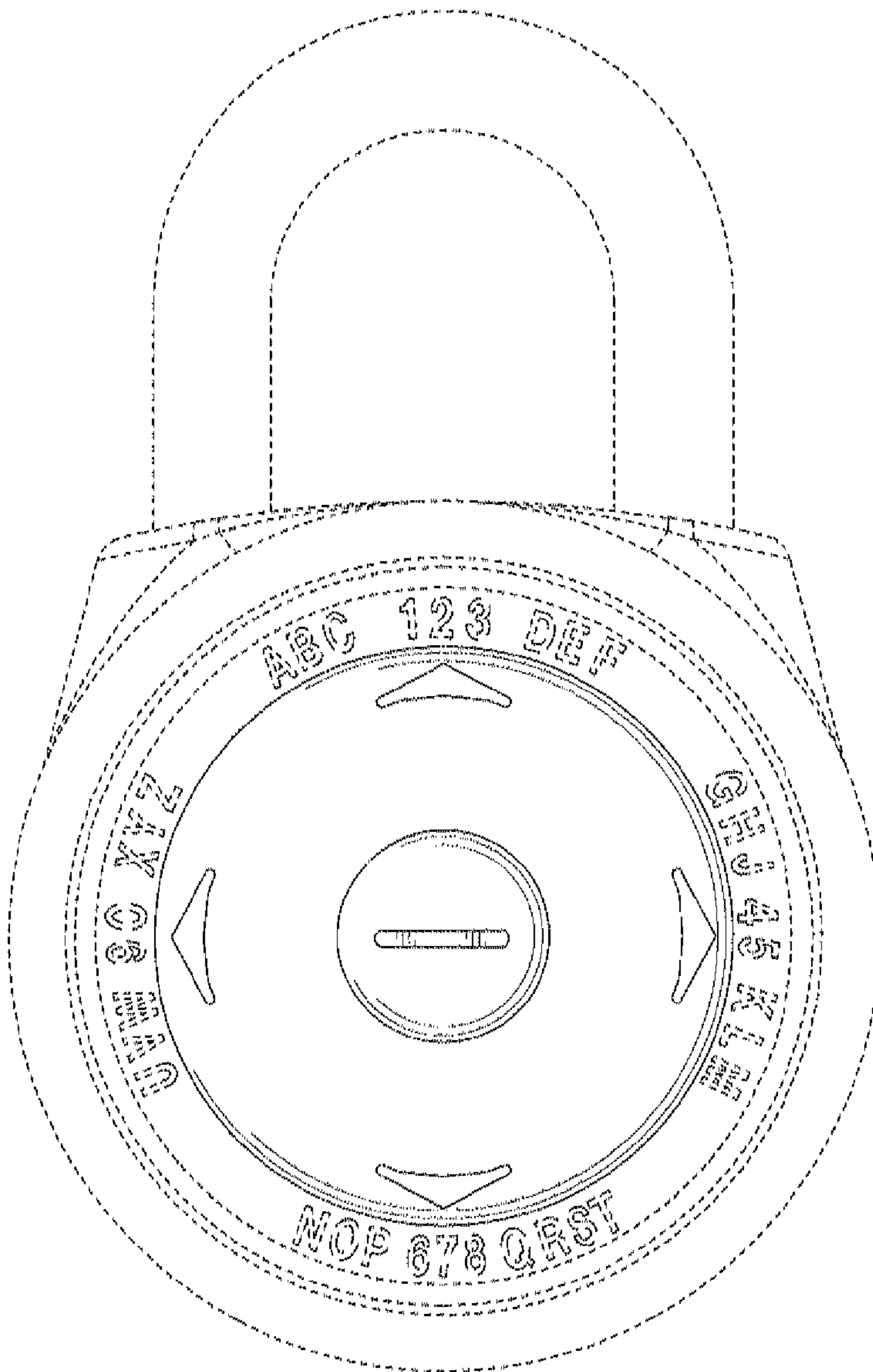


FIG. 10

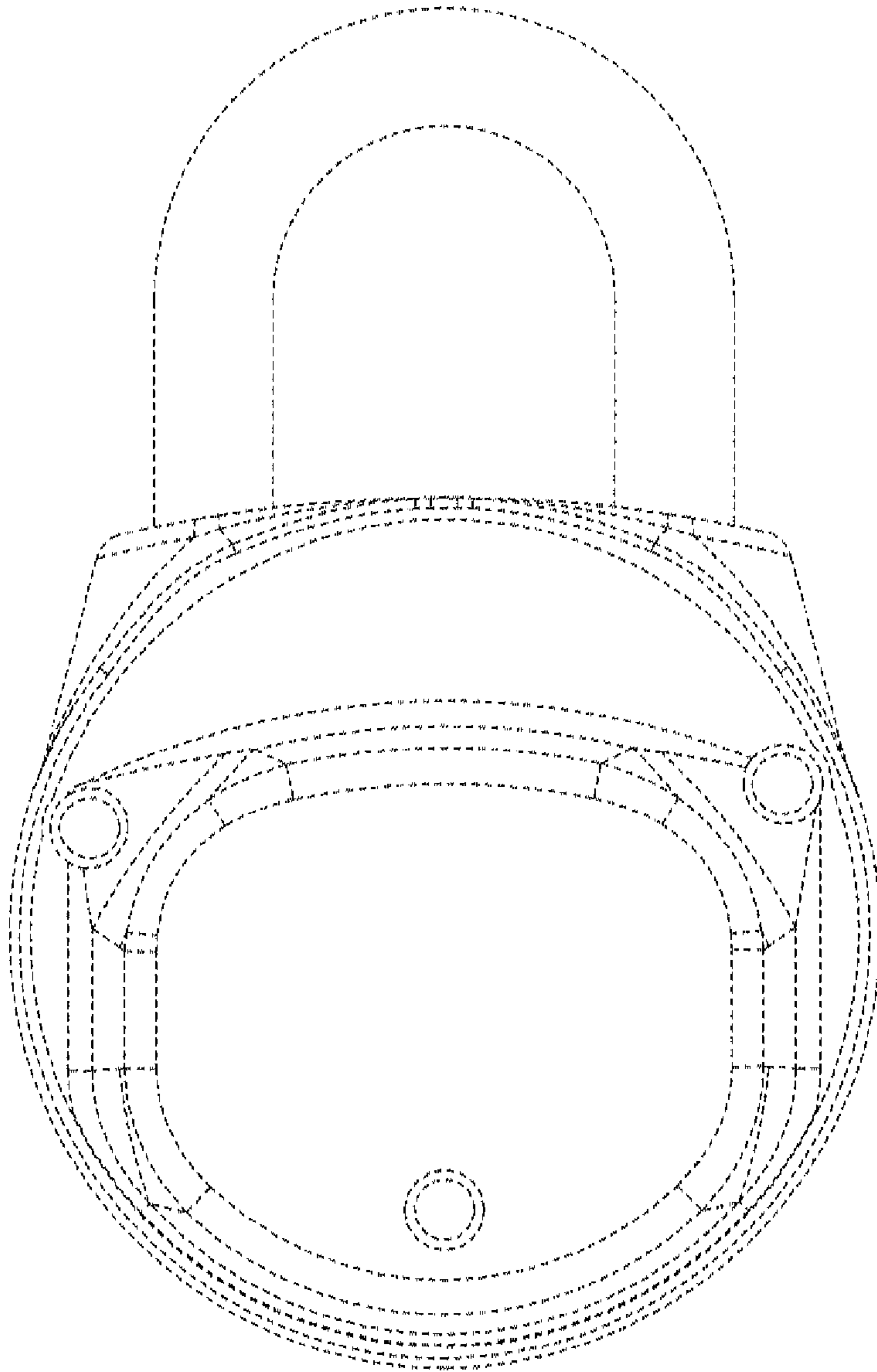


FIG. 11

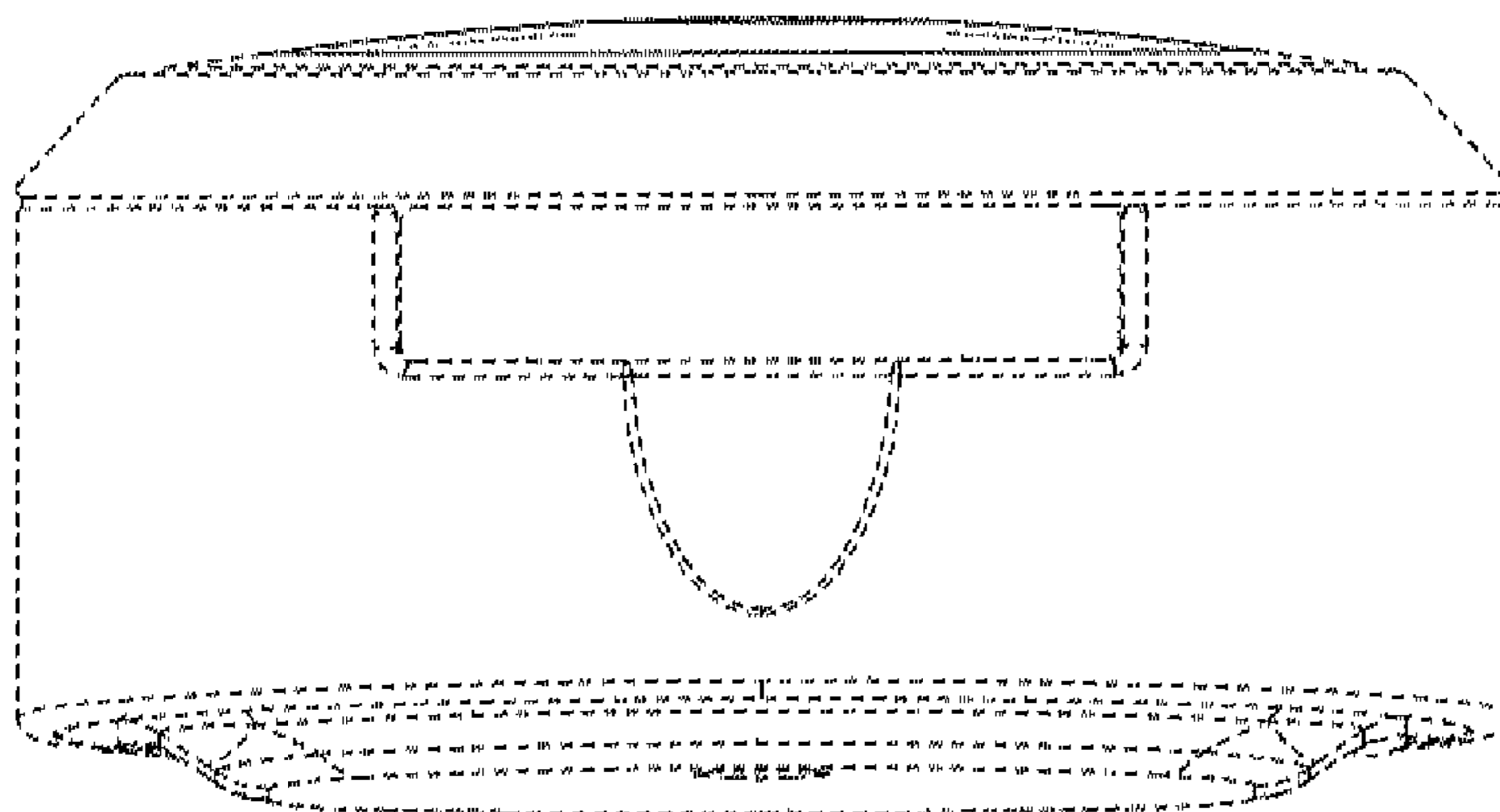


FIG. 12

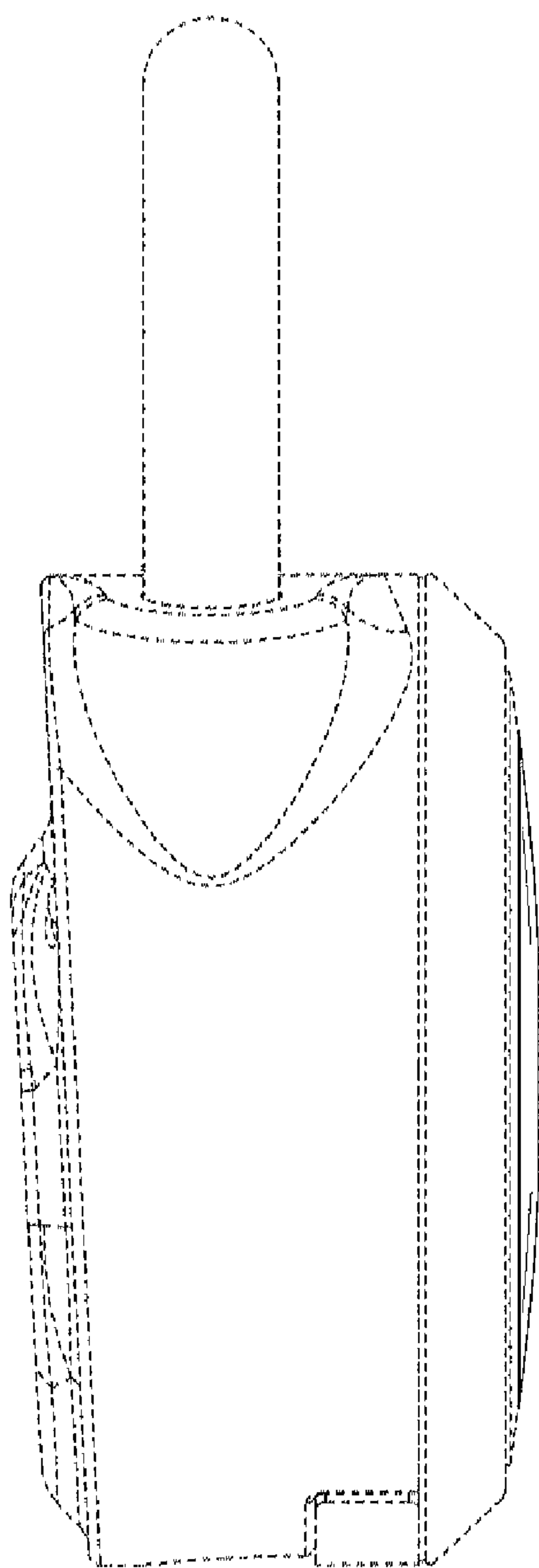


FIG. 13

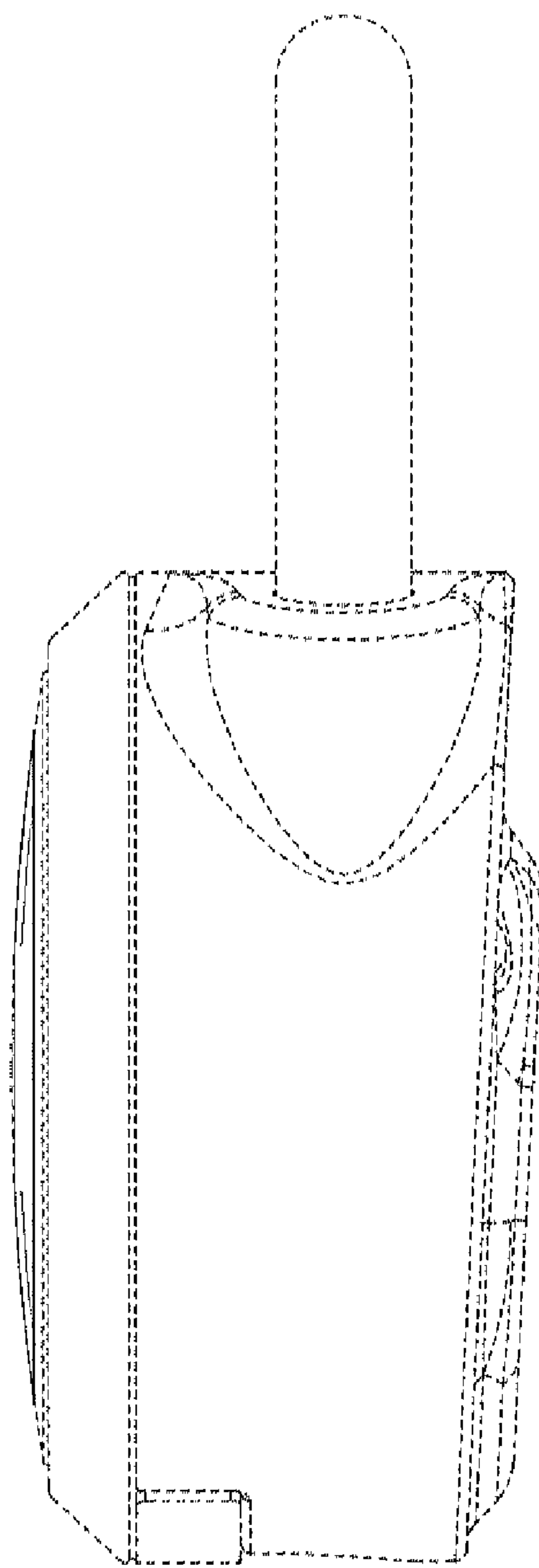


FIG. 14

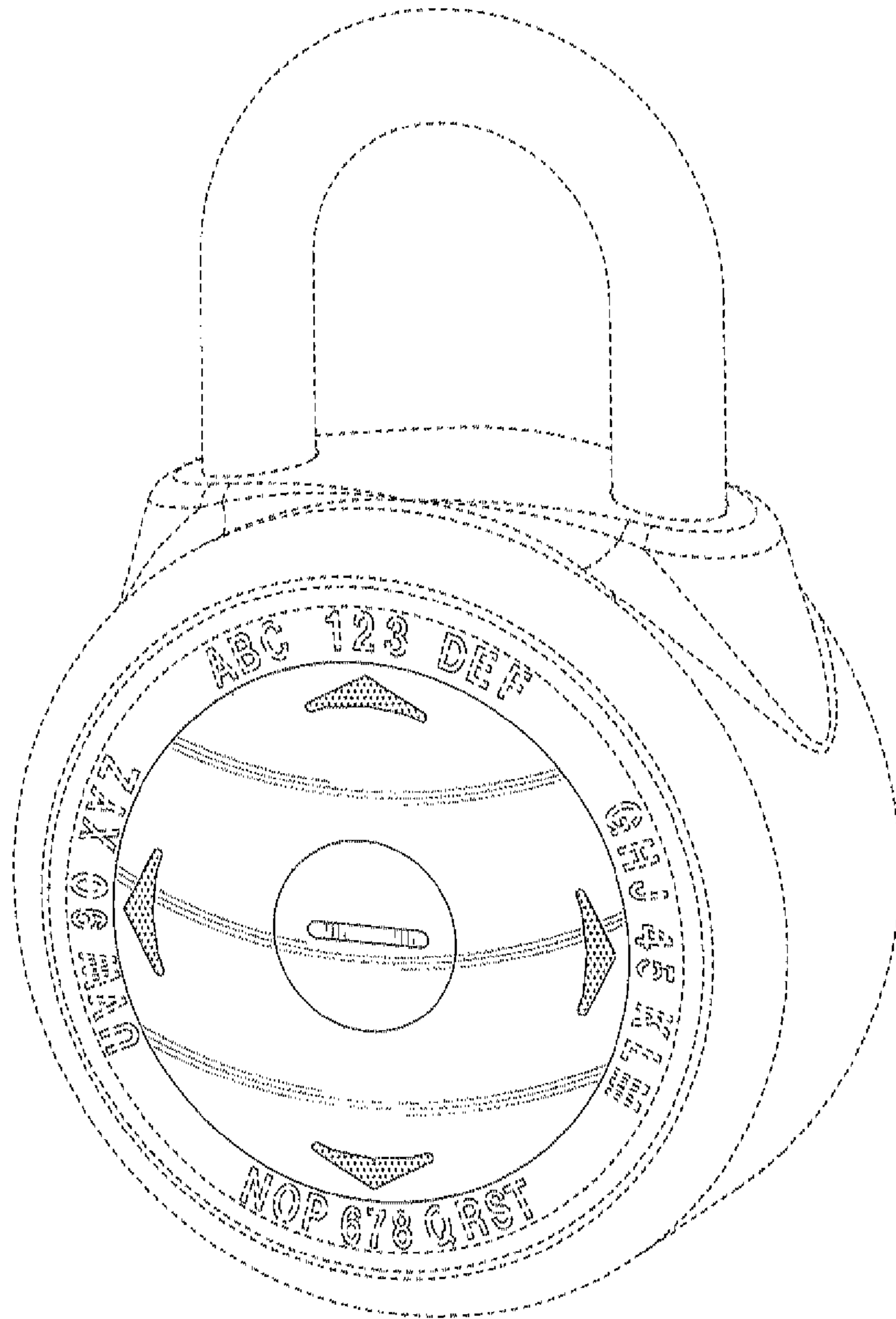


FIG. 15

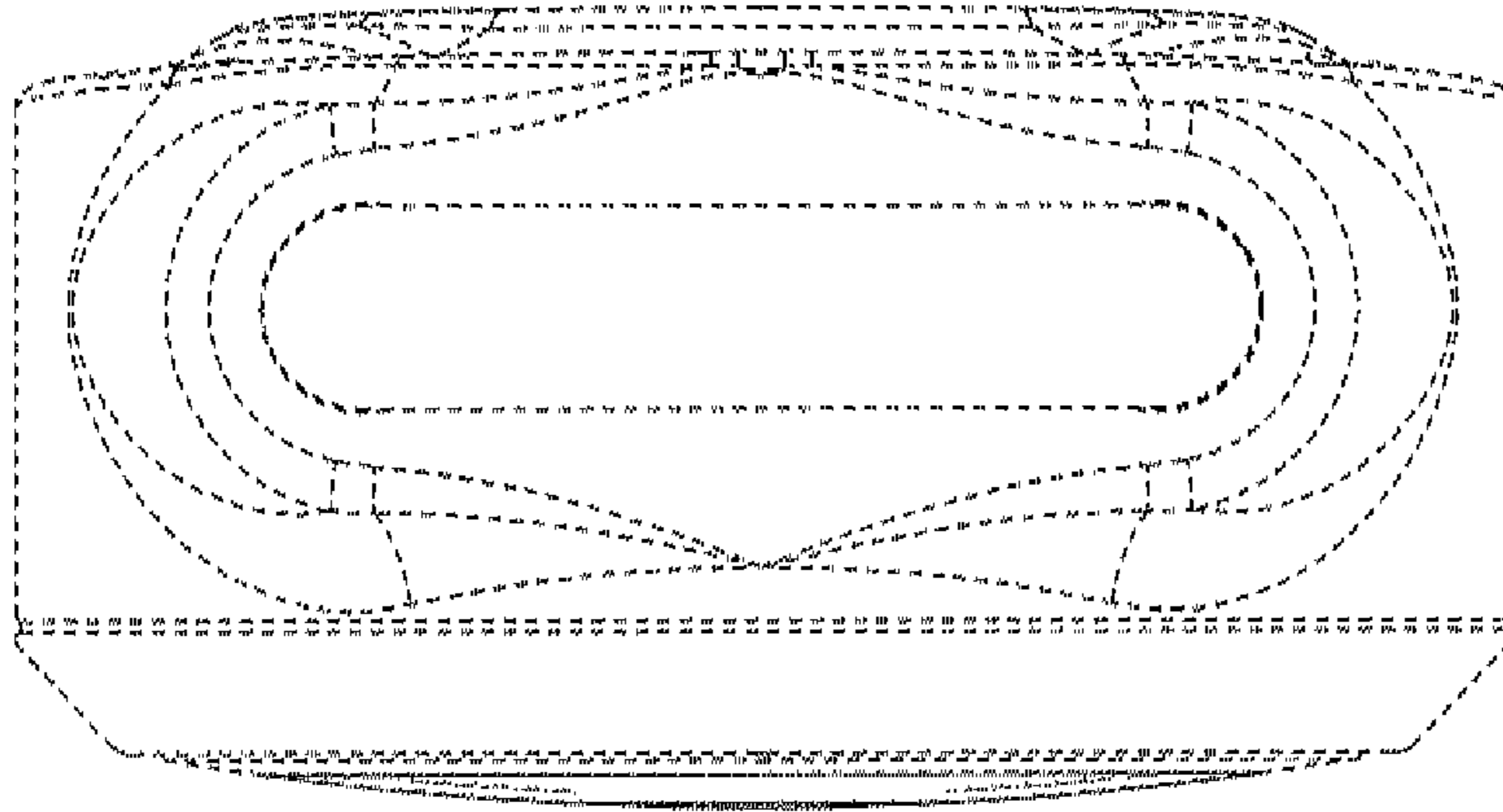


FIG. 16

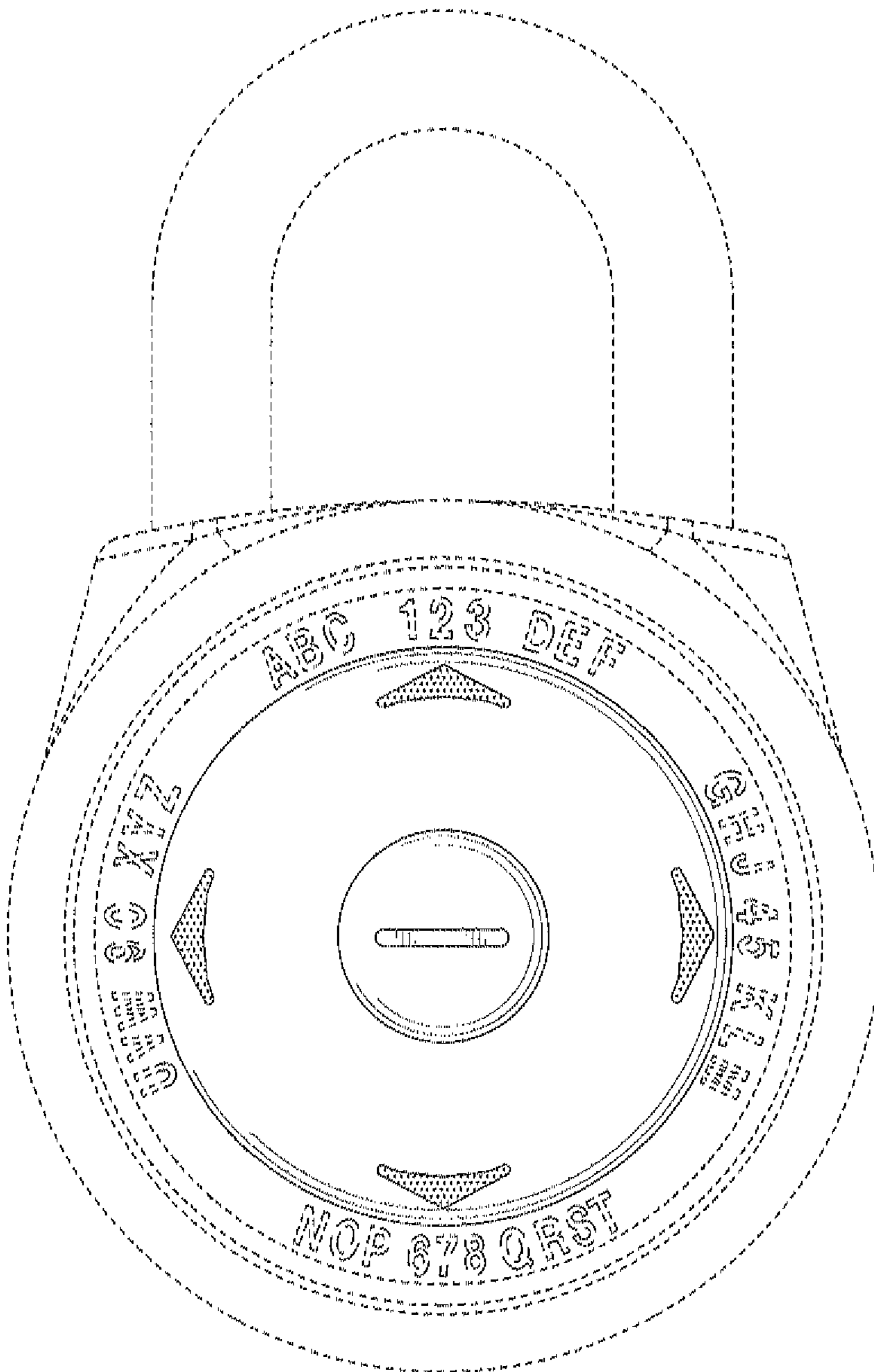


FIG. 17

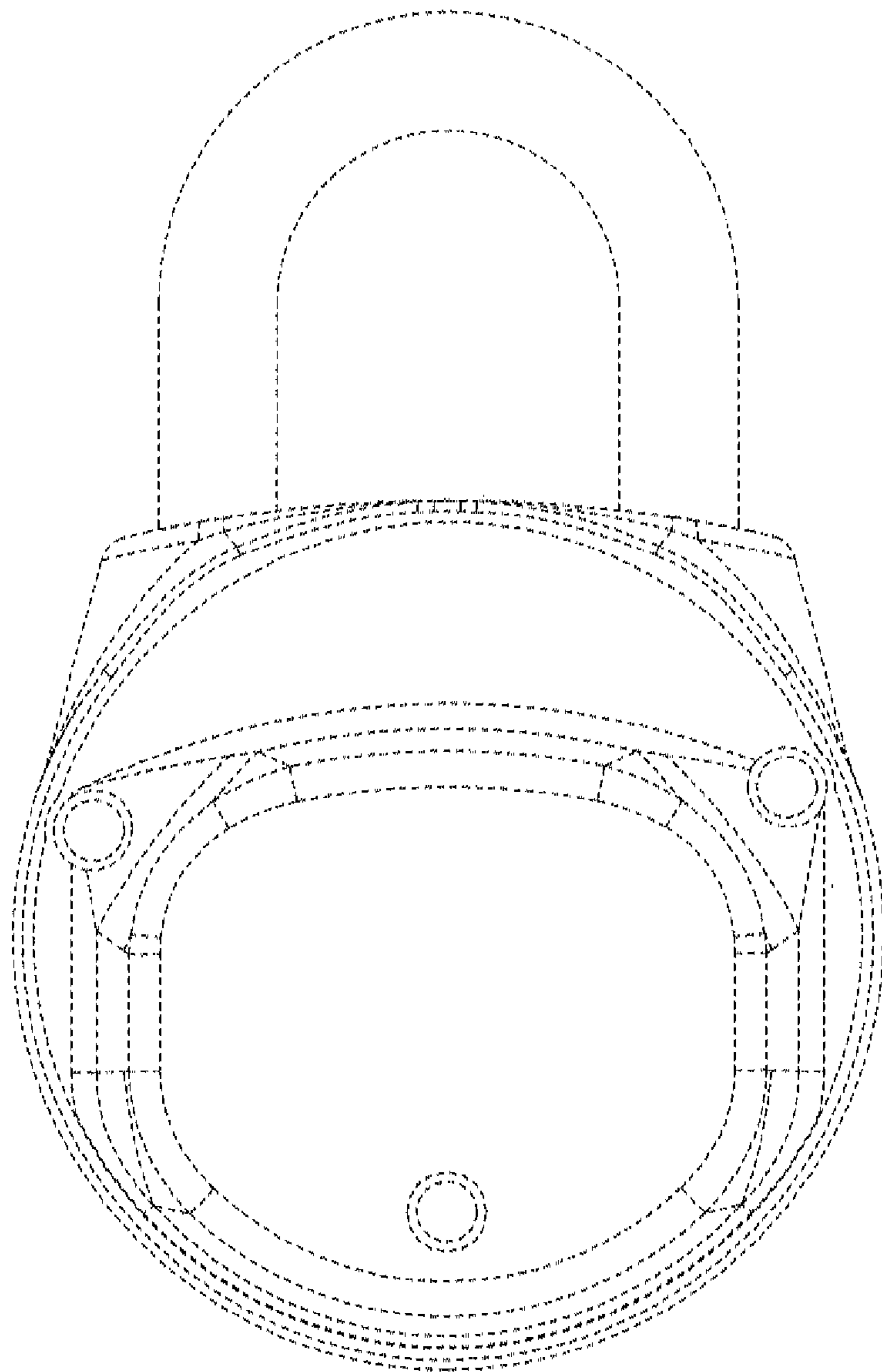


FIG. 18

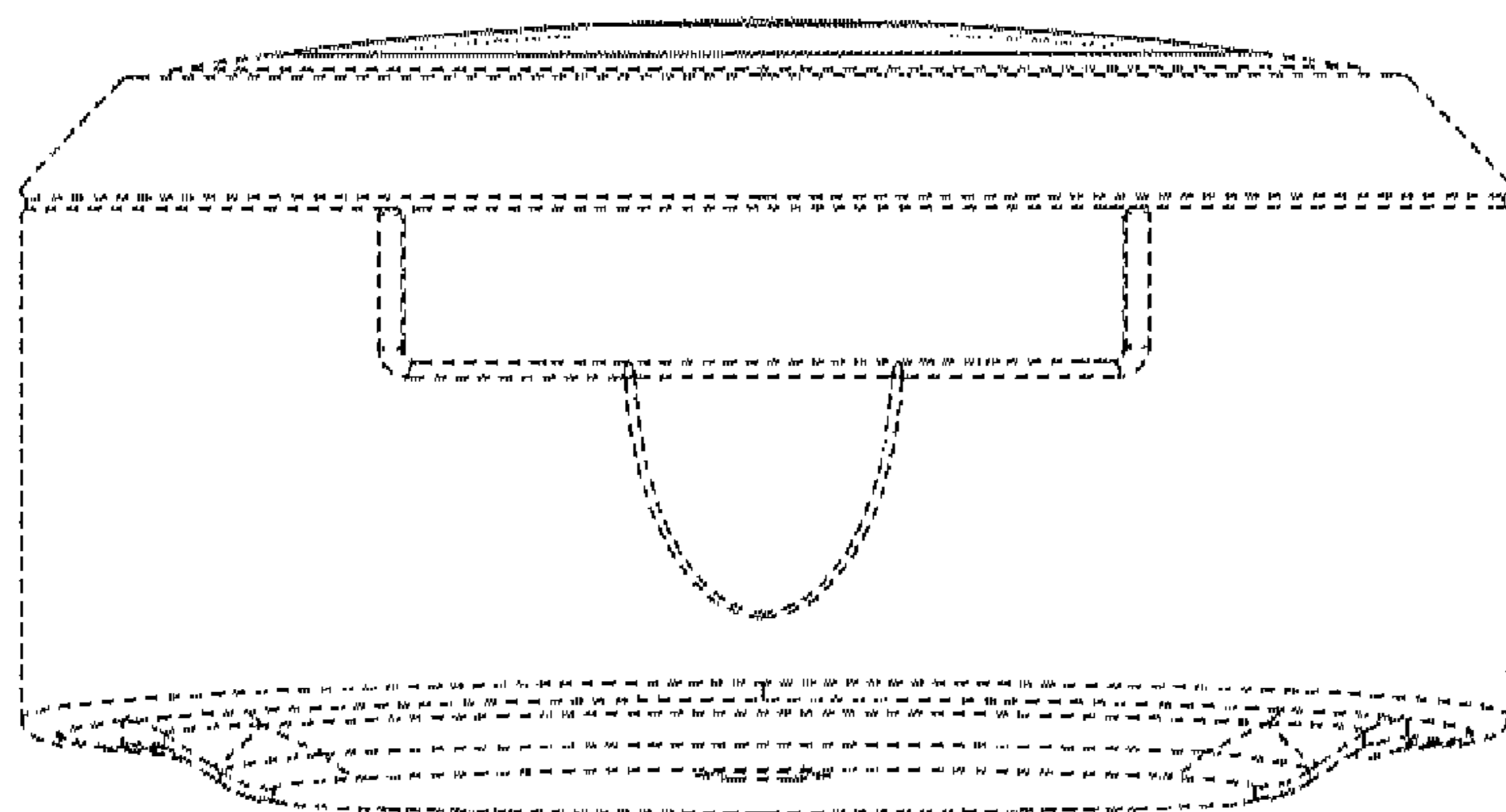


FIG. 19

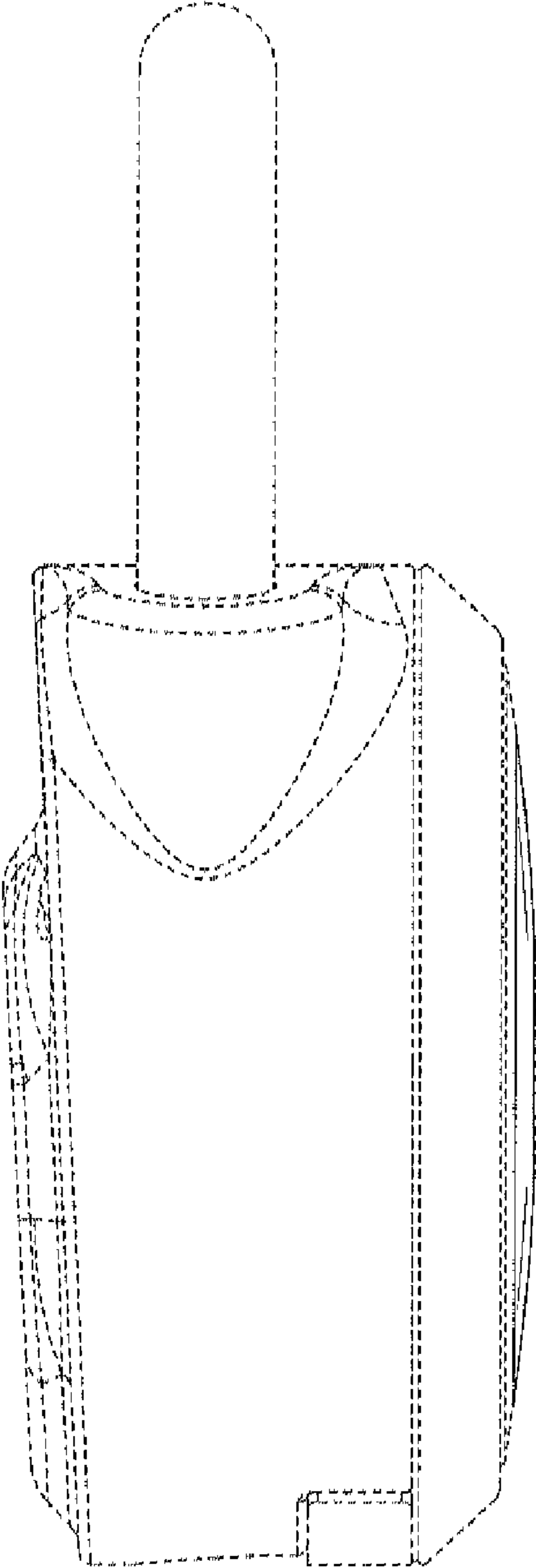


FIG. 20

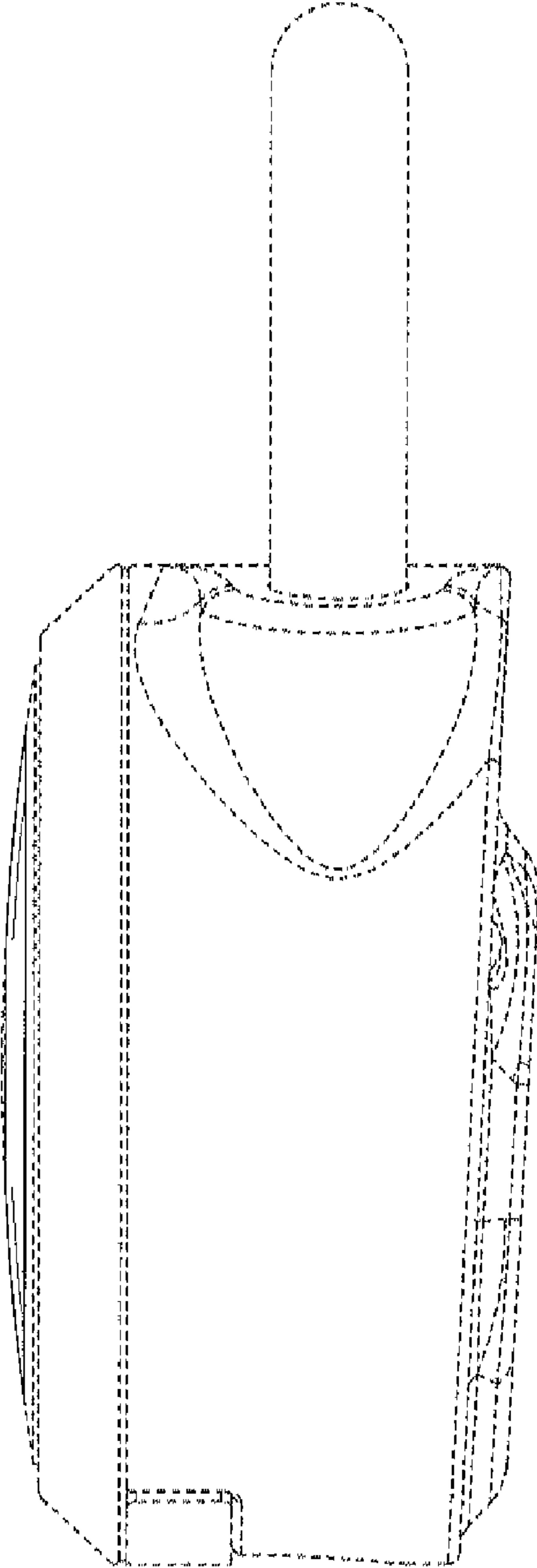


FIG. 21