



US00D673835S

(12) **United States Design Patent**  
**Rifkin**

(10) **Patent No.:** **US D673,835 S**  
(45) **Date of Patent:** **\*\* Jan. 8, 2013**

(54) **RETRACTABLE LOCKING MECHANISM**

(76) Inventor: **Madison Meyers Rifkin**, Greenwood Village, CO (US)

(\*\*) Term: **14 Years**

(21) Appl. No.: **29/419,244**

(22) Filed: **Apr. 26, 2012**

5,889,463 A *	3/1999	Judd et al.	340/427
6,227,016 B1 *	5/2001	Yu	70/30
6,283,517 B1 *	9/2001	Nazzari	292/321
D471,785 S *	3/2003	Yu	D8/331
6,578,394 B2 *	6/2003	Yin	70/58
6,637,244 B2 *	10/2003	Haraughty	70/233
6,945,081 B1 *	9/2005	Lopes	70/233
D540,149 S *	4/2007	Tollefson	D8/330
D597,397 S *	8/2009	Nazzari	D8/330
8,065,895 B2 *	11/2011	Andersen	70/14
8,087,443 B2 *	1/2012	Snyder et al.	160/29

\* cited by examiner

**Related U.S. Application Data**

(62) Division of application No. 29/391,746, filed on May 12, 2011, now Pat. No. Des. 658,467.

(51) **LOC (9) Cl.** ..... **08-07**

(52) **U.S. Cl.** ..... **D8/333; D8/331**

(58) **Field of Classification Search** ..... D8/330, D8/331, 333, 336, 338, 343, 349; 70/1, 14, 70/15, 57, 57.1, 102, 136, 137, 253, 233, 70/234, 262, 266, 431, 443, 465, 466  
See application file for complete search history.

(56) **References Cited**

**U.S. PATENT DOCUMENTS**

5,063,762 A *	11/1991	Vandeweghe	70/30
5,782,513 A *	7/1998	Nazzari	292/319

*Primary Examiner* — Prabhakar Deshmukh

(74) *Attorney, Agent, or Firm* — Ellen Reilly; John E. Reilly; The Reilly Intellectual Property Law Firm, P.C.

(57) **CLAIM**

The ornamental design for a retractable locking mechanism, as shown and described.

**DESCRIPTION**

FIG. 1 is a top view showing my new design;  
FIG. 2 is a front exploded view of FIG. 1;  
FIG. 3 is a bottom view of FIG. 1;  
FIG. 4 is a side exploded view of FIG. 1;  
FIG. 5 is a back exploded view of FIG. 1; and,  
FIG. 6 is a perspective exploded view of FIG. 1.

**1 Claim, 3 Drawing Sheets**

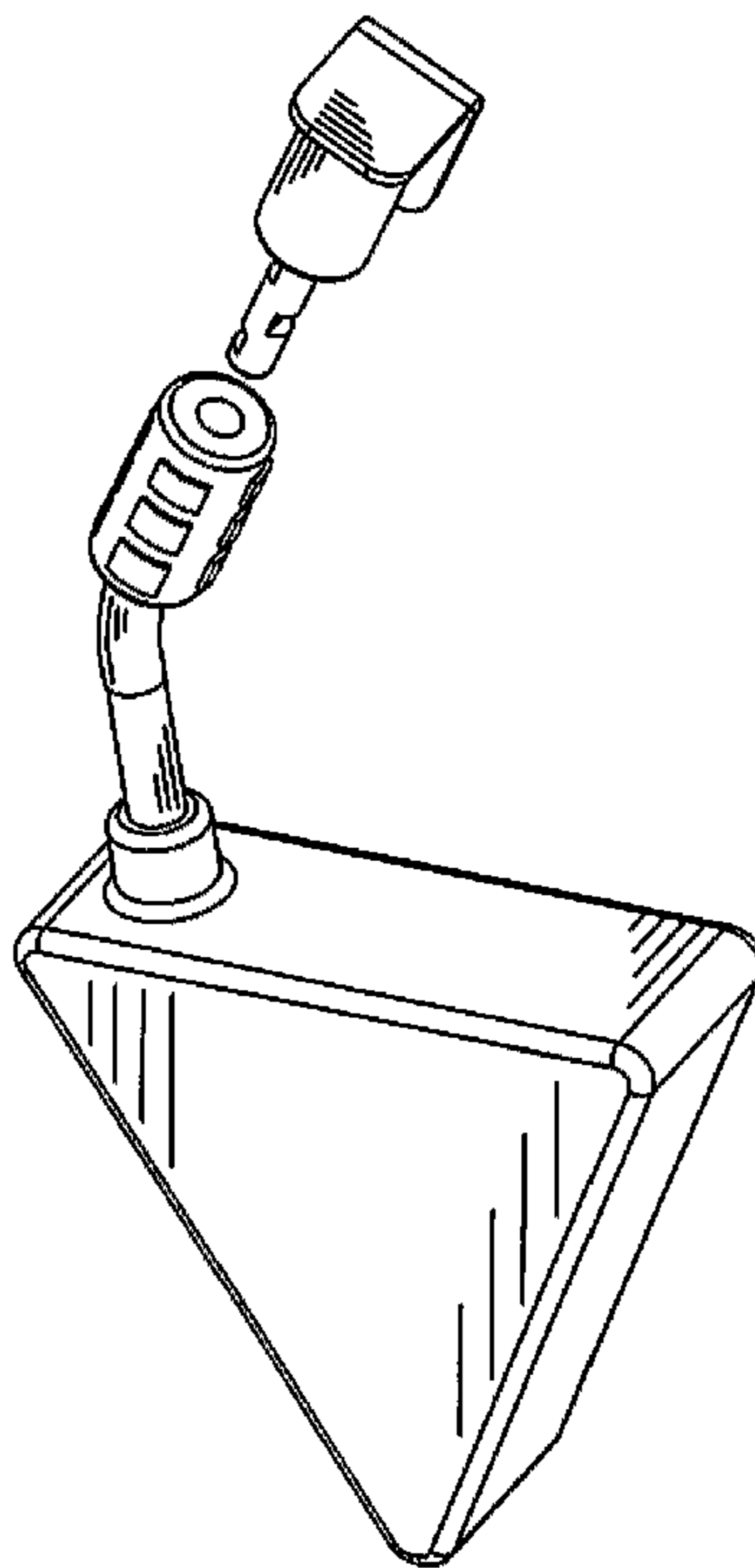


Fig. 1

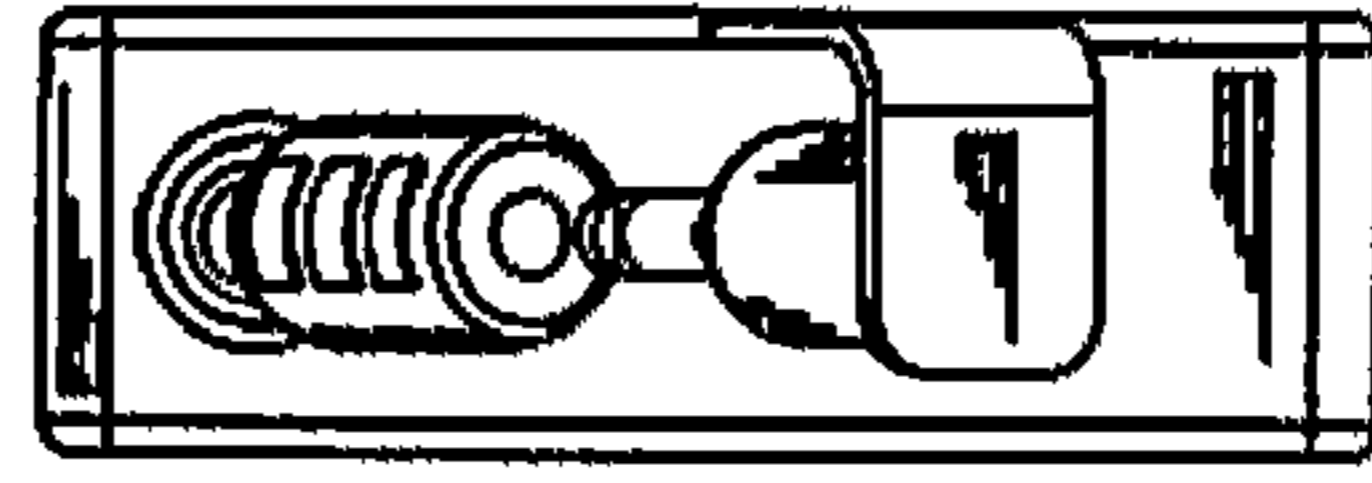


Fig. 2

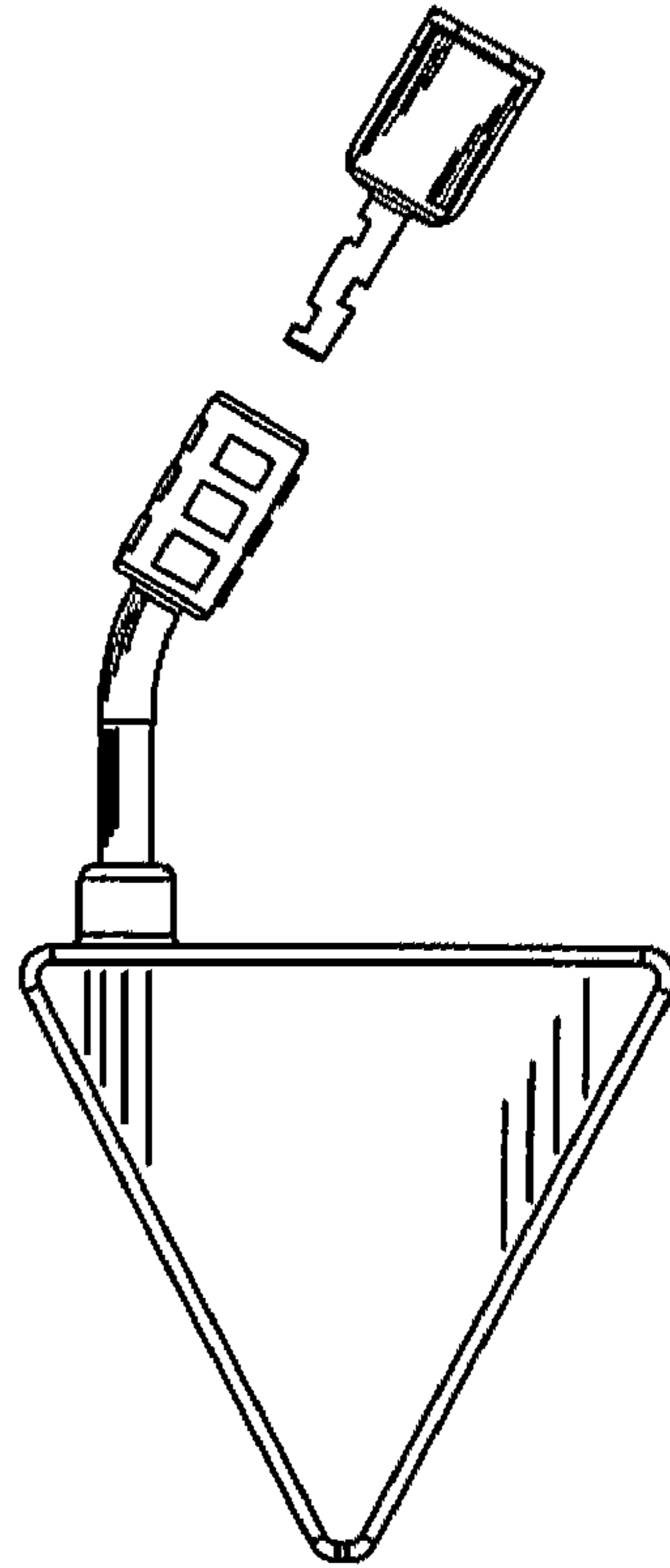
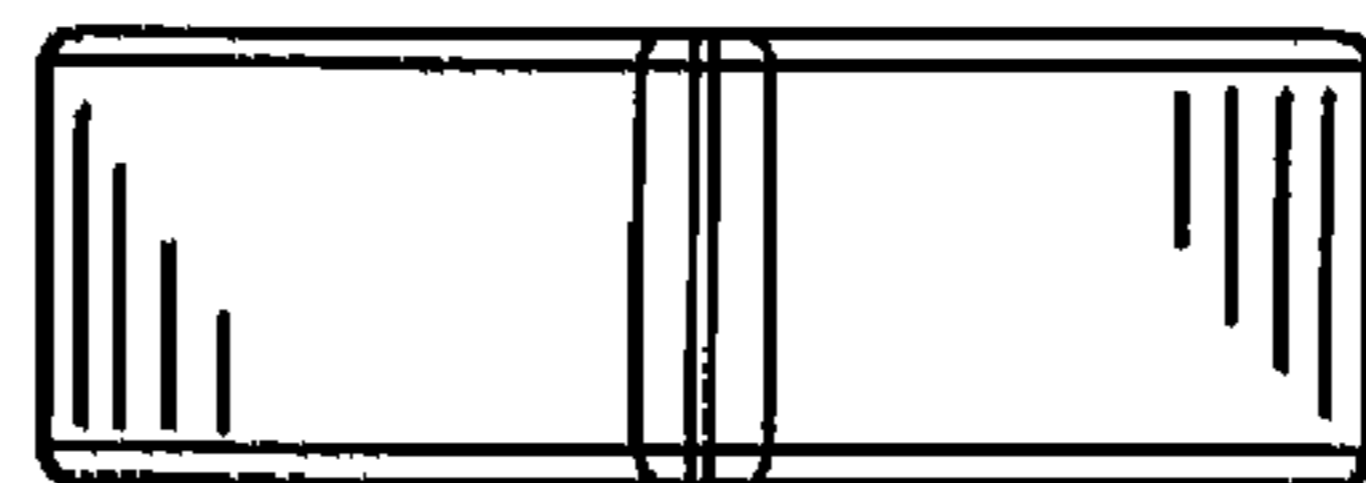


Fig. 3



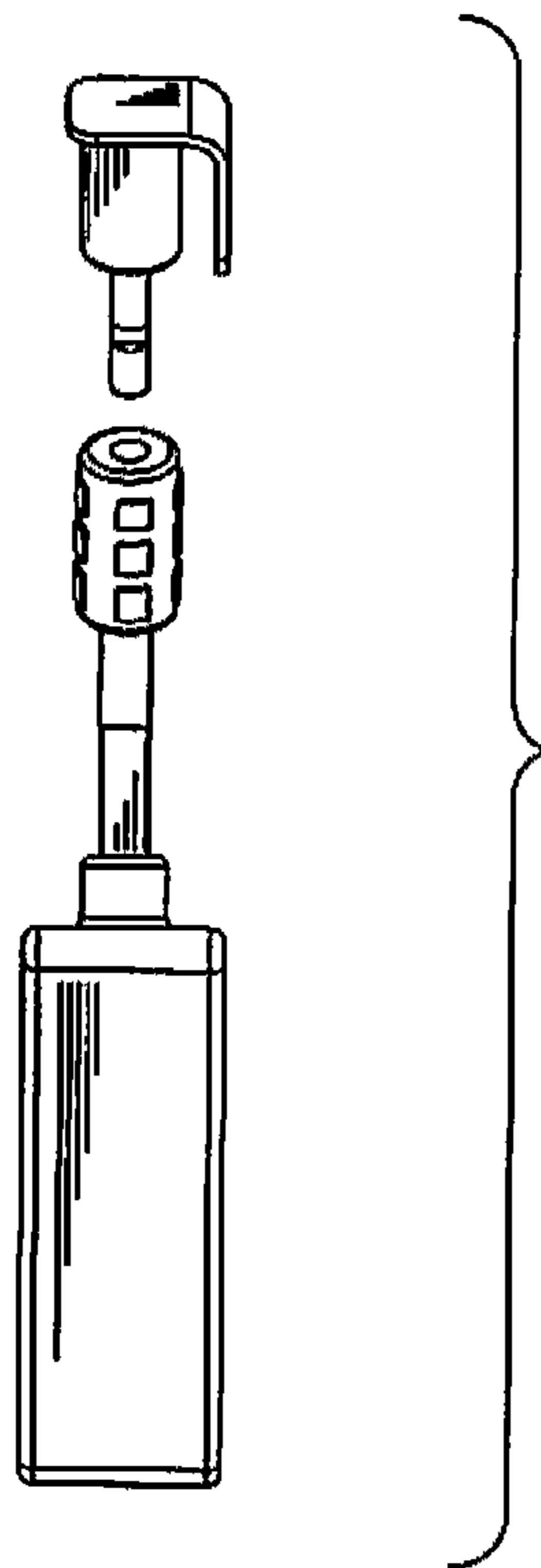


Fig. 4

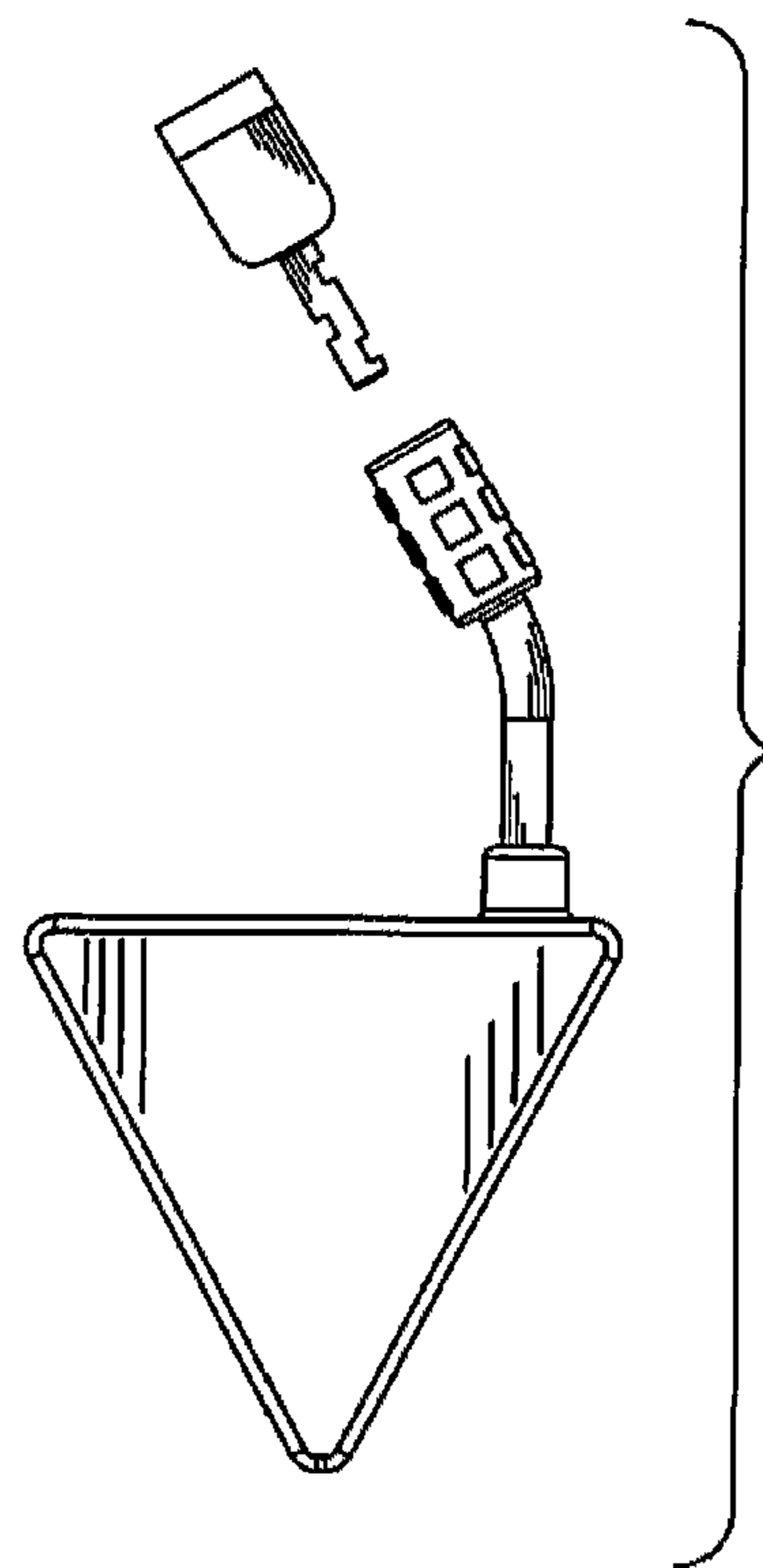


Fig. 5

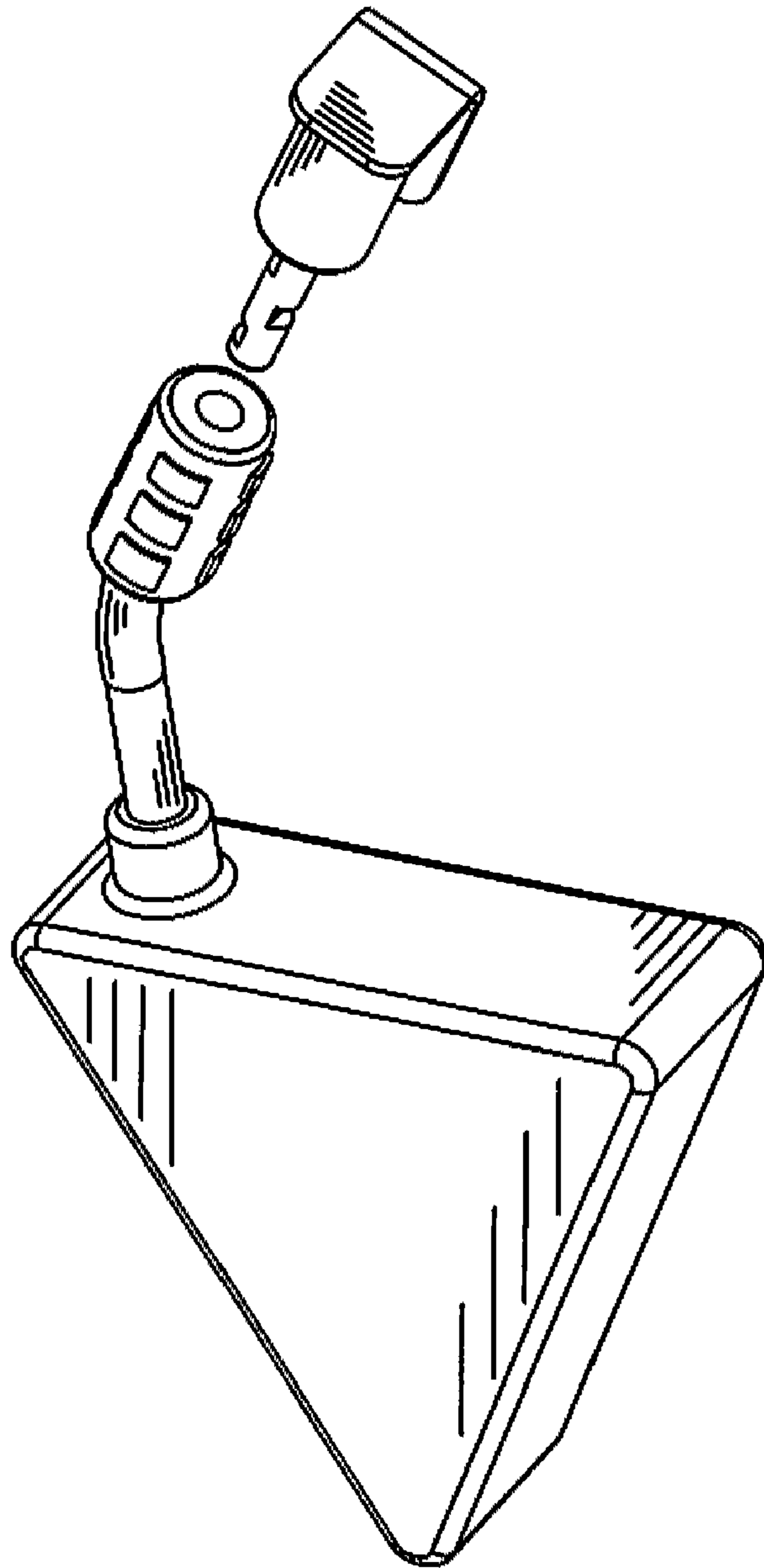


Fig. 6