



US00D673834S

(12) **United States Design Patent**
Boland

(10) **Patent No.:** **US D673,834 S**

(45) **Date of Patent:** **** Jan. 8, 2013**

(54) **HANDLE**

(76) **Inventor:** **Thomas Boland**, Bayside, NY (US)

(**) **Term:** **14 Years**

(21) **Appl. No.:** **29/413,278**

(22) **Filed:** **Feb. 14, 2012**

(51) **LOC (9) Cl.** **08-06**

(52) **U.S. Cl.** **D8/313**

(58) **Field of Classification Search** D8/300,
D8/313, 316, 321, 322, 323, 349; 16/110.1,
16/411; 294/171; D9/434, 907, 432, 416,
D9/532, 456; 206/586, 765, 591, 594, 53;
D19/65; 220/775; 312/244, 320
See application file for complete search history.

(56) **References Cited**

U.S. PATENT DOCUMENTS

D29,333	S	*	9/1898	Seymour	D8/315
D30,403	S	*	3/1899	Sherwood	D8/395
2,122,025	A	*	6/1938	Crary	294/171
2,578,878	A	*	12/1951	Buttery	229/195
3,044,105	A	*	7/1962	Wigemark	16/406
D204,295	S	*	4/1966	Brekke	D7/622
D222,767	S	*	12/1971	Alfano	D9/434
3,913,172	A	*	10/1975	Richards et al.	16/411
4,153,314	A	*	5/1979	Prater	312/348.6
4,168,025	A		9/1979	Bantner		
D303,336	S	*	9/1989	Webster	D7/622
D306,699	S	*	3/1990	Michau	D9/432
D321,135	S	*	10/1991	Bedell et al.	D9/434
D364,806	S	*	12/1995	Cole	D9/434

D410,386	S	*	6/1999	Watkins	D9/434
6,536,820	B1		3/2003	Dean et al.		
D492,864	S	*	7/2004	Mizusawa	D6/512
D519,834	S	*	5/2006	Novakovich et al.	D9/434
7,090,272	B2	*	8/2006	Novakovich et al.	294/171
7,588,276	B1		9/2009	Bibow		
D605,937	S	*	12/2009	Lovelace et al.	D9/434
D625,560	S	*	10/2010	Olson et al.	D7/510
7,874,602	B2		1/2011	Meckwood et al.		

OTHER PUBLICATIONS

Fire Trader Australia Pty Ltd, BA Cylinder Carry Handle, <http://www.firetrader.com/au/prod105.htm> (Date unknown), two pages.

* cited by examiner

Primary Examiner — Paula Greene

(74) *Attorney, Agent, or Firm* — Brad M. Behar & Associates, PLLC

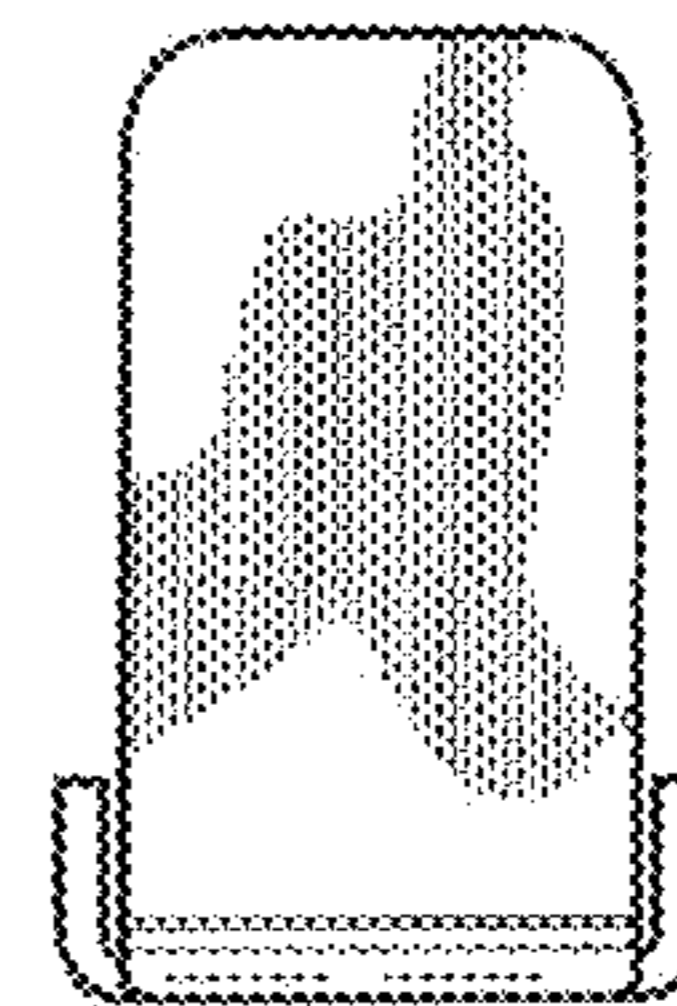
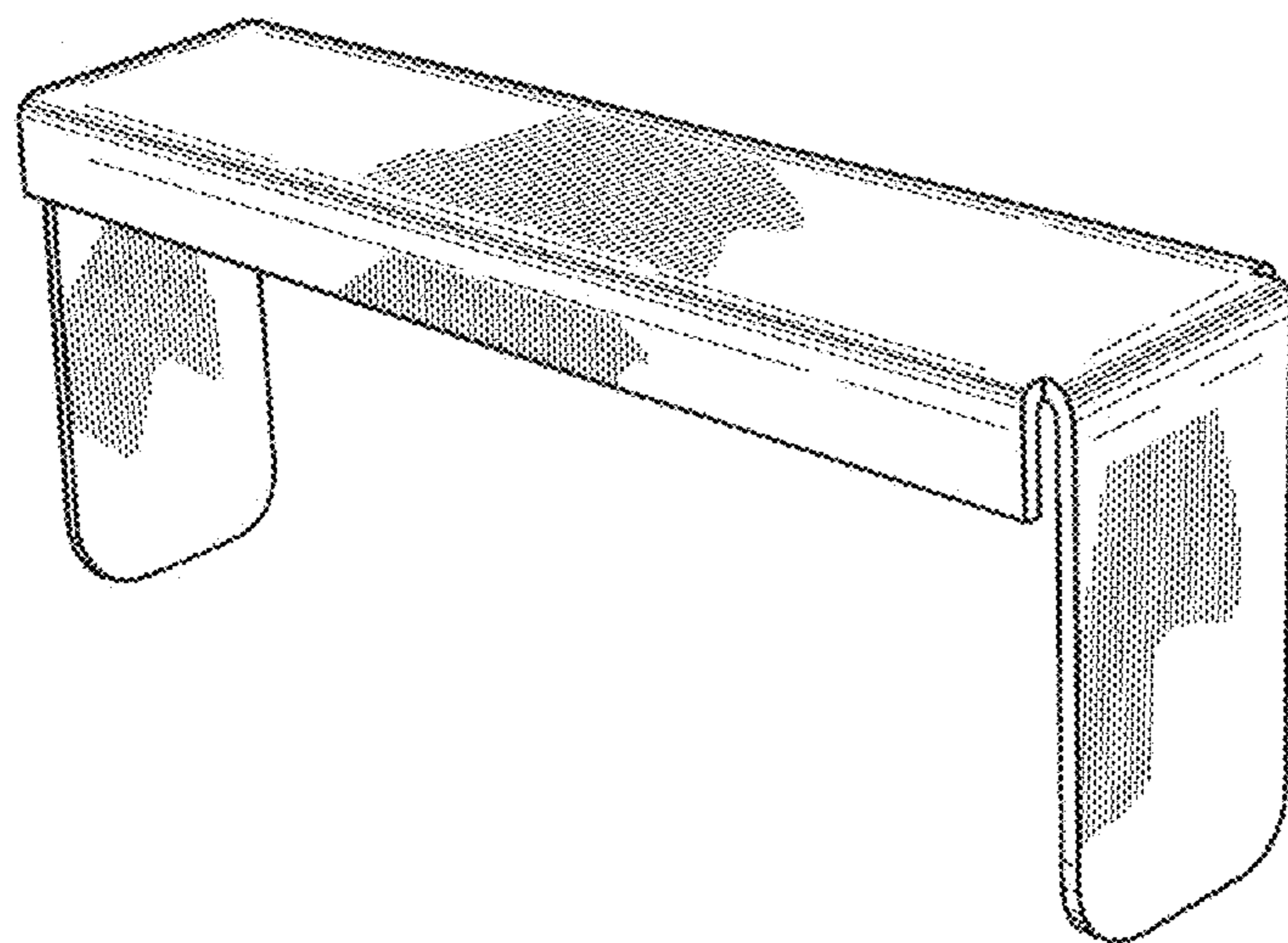
(57) **CLAIM**

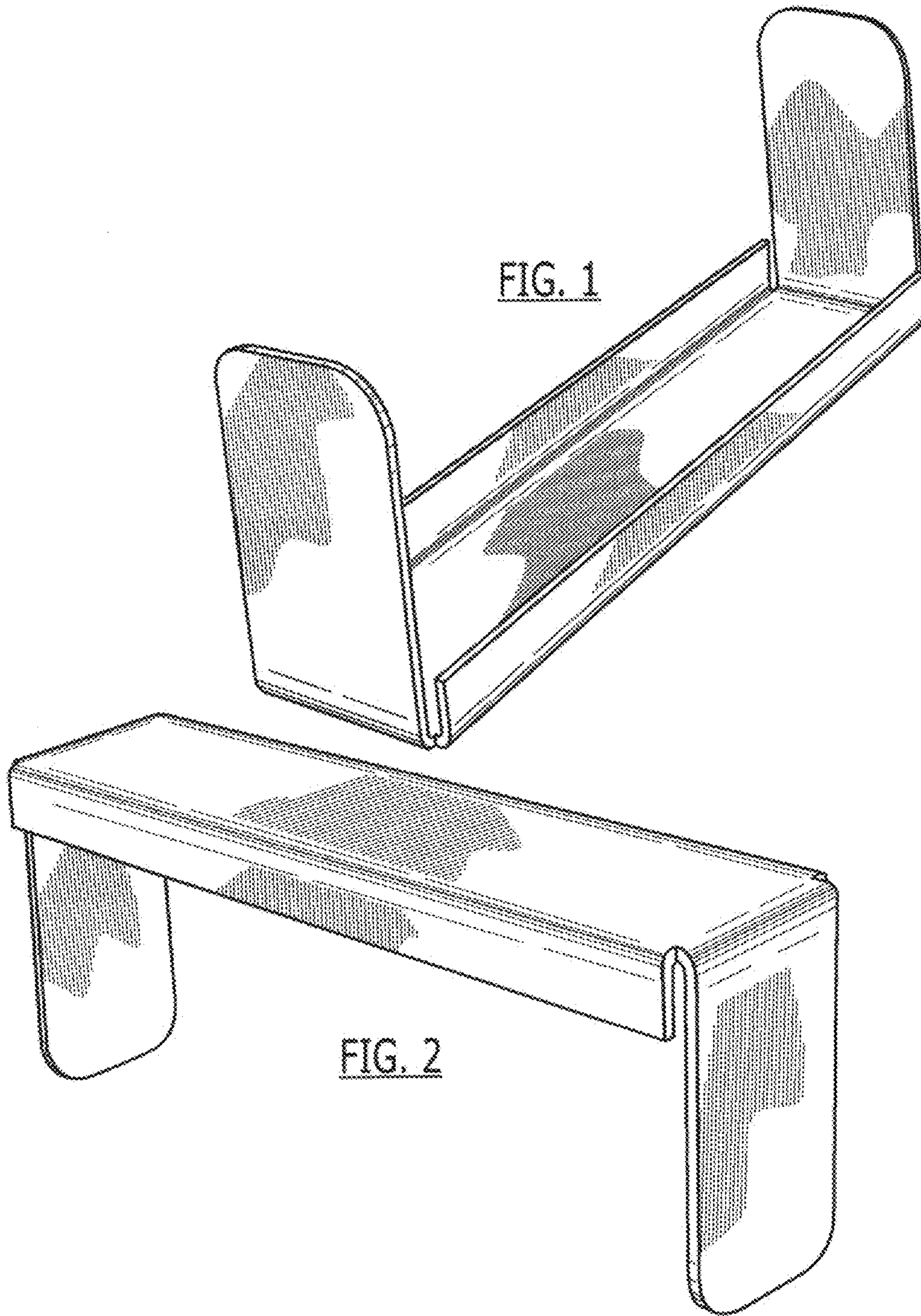
The ornamental design for a handle, as shown and described.

DESCRIPTION

FIG. 1 is a perspective view of an embodiment of the handle showing my new design;
FIG. 2 is an inverted perspective view thereof;
FIG. 3 is a front elevation view thereof, the back elevation view being a mirror image thereof;
FIG. 4 is a side elevation view thereof, the opposite side being a mirror image thereof;
FIG. 5 is a bottom elevation view thereof;
FIG. 6 is a top elevation thereof; and,
FIG. 7 is a sectional view taken in the direction of the arrows on line 7-7 as shown in FIG. 3.

1 Claim, 3 Drawing Sheets





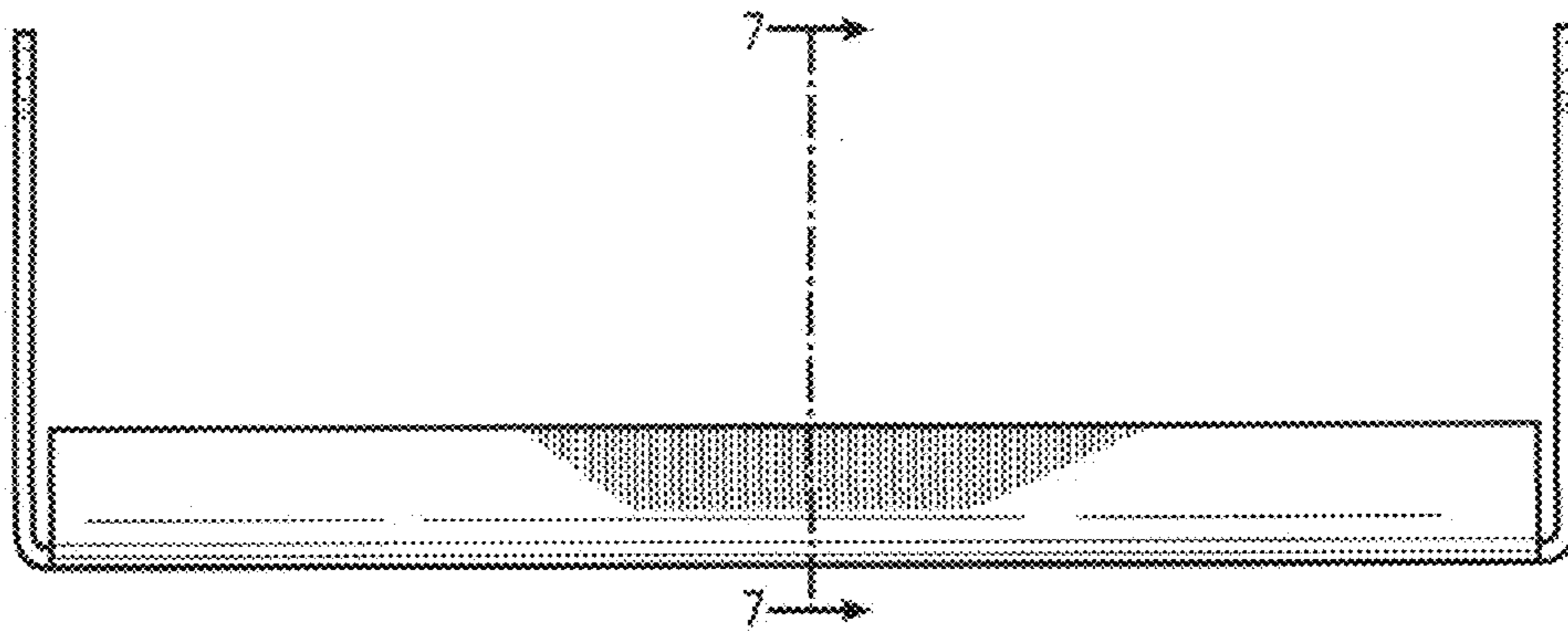


FIG. 3

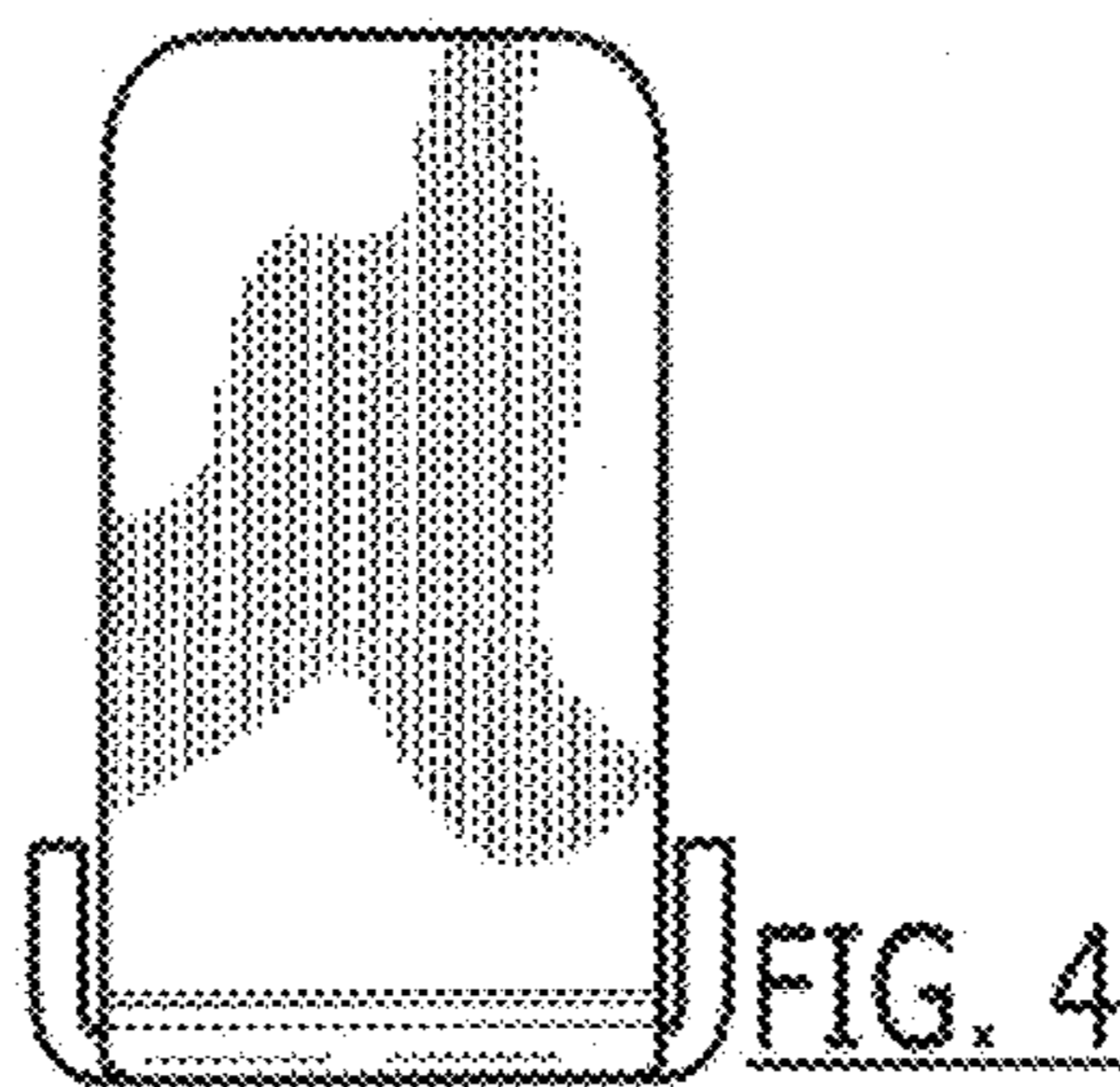


FIG. 4

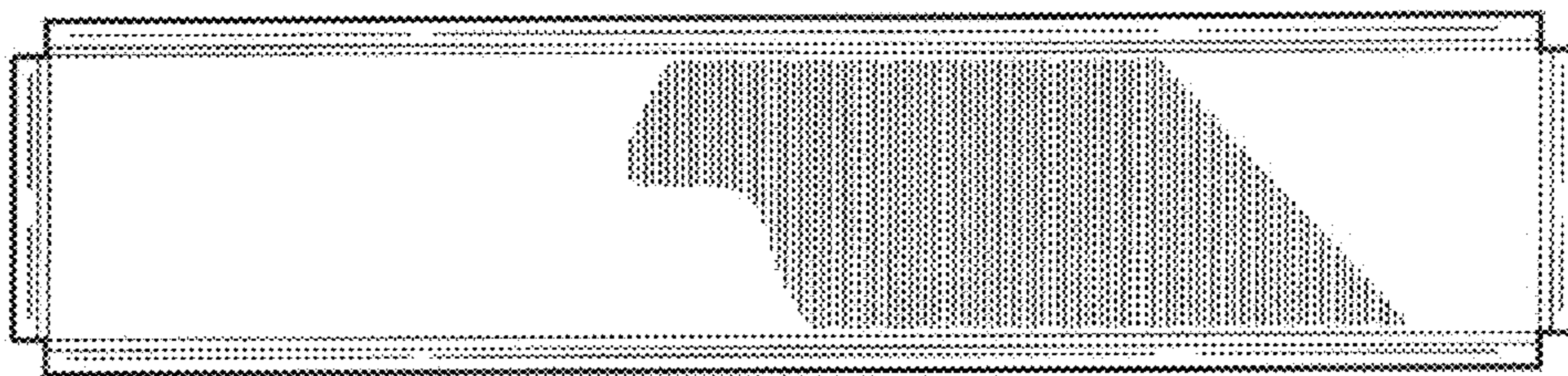


FIG. 5

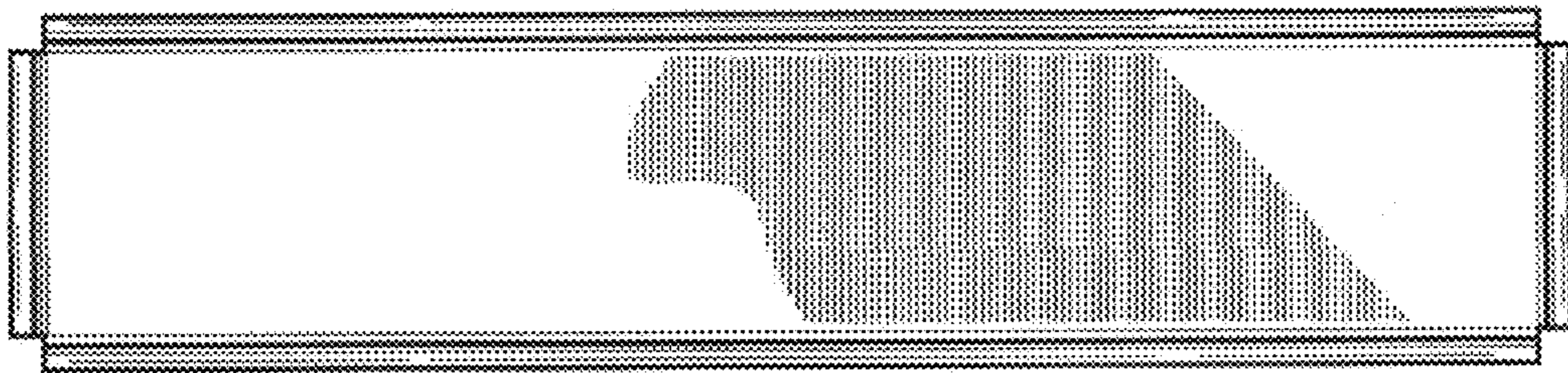


FIG. 6

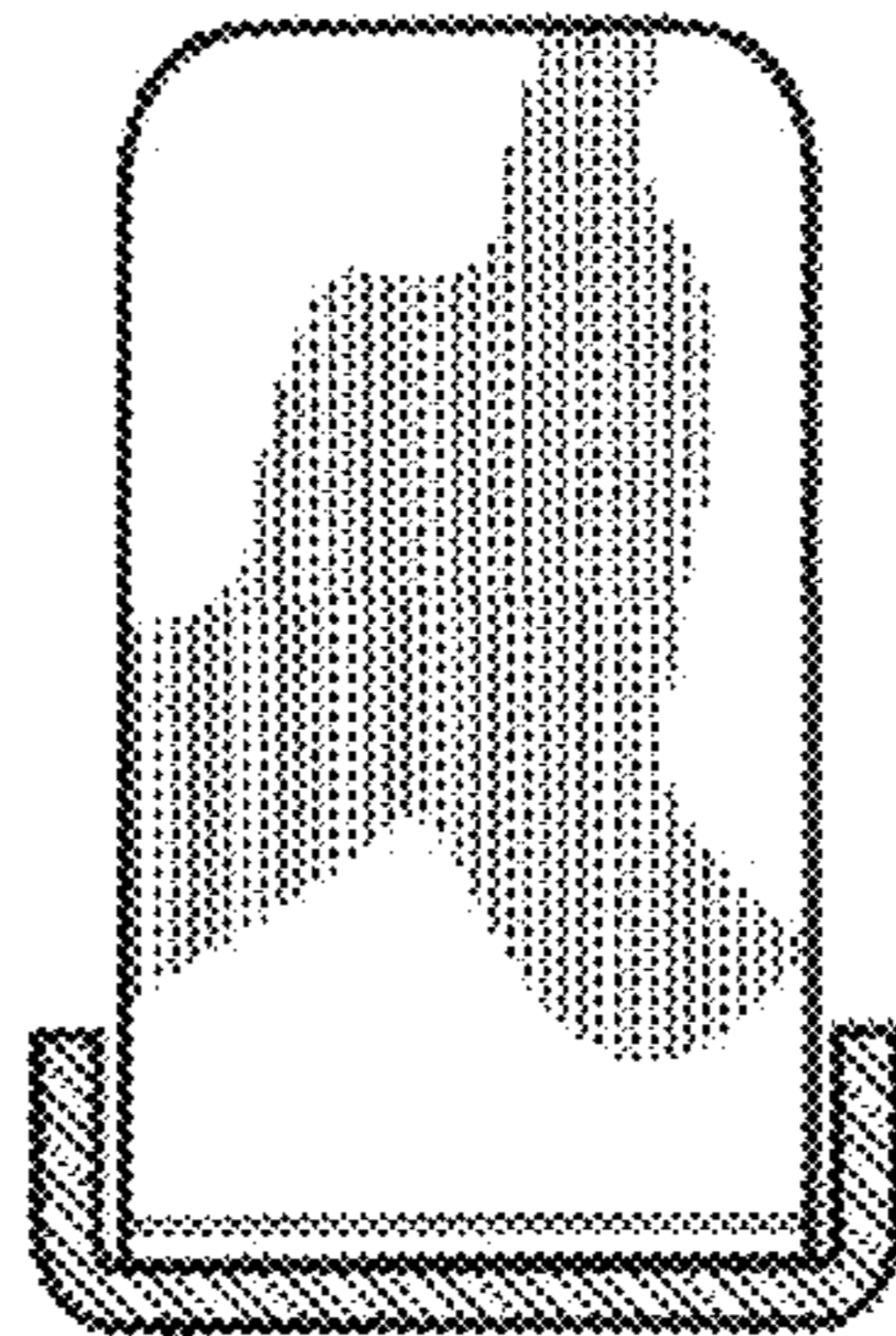


FIG. 7