



US00D673832S

(12) **United States Design Patent**  
**Molina et al.**

(10) **Patent No.:** **US D673,832 S**  
(45) **Date of Patent:** **\*\* Jan. 8, 2013**

- (54) **TOOL HANDLE**
- (75) Inventors: **Francisco Molina**, Sunrise, FL (US);  
**Glenn Robinson**, Deerfield Beach, FL (US)
- (73) Assignee: **IBT Holdings, LLC**, Deerfield Beach, FL (US)
- (\*\*) Term: **14 Years**
- (21) Appl. No.: **29/374,865**
- (22) Filed: **Oct. 18, 2011**
- (51) **LOC (9) Cl.** ..... **08-04**
- (52) **U.S. Cl.** ..... **D8/83**
- (58) **Field of Classification Search** ..... D8/21,  
D8/24-25, 29, 82-87, 107, 300, 310, 312-314;  
81/52, 177.1-177.4, 177.7, 489-491  
See application file for complete search history.

7,272,999	B2 *	9/2007	Cutler et al.	81/475
D565,380	S *	4/2008	Rinner	D8/83
D586,634	S *	2/2009	Lai	D8/21
D613,144	S *	4/2010	Lin	D8/83
D618,527	S *	6/2010	Deguglimo et al.	D8/29
2010/0288087	A1 *	11/2010	Lai	81/490

\* cited by examiner

*Primary Examiner* — Philip S Hyder  
*Assistant Examiner* — Roselynn Cody  
(74) *Attorney, Agent, or Firm* — Dan DeLaRosa

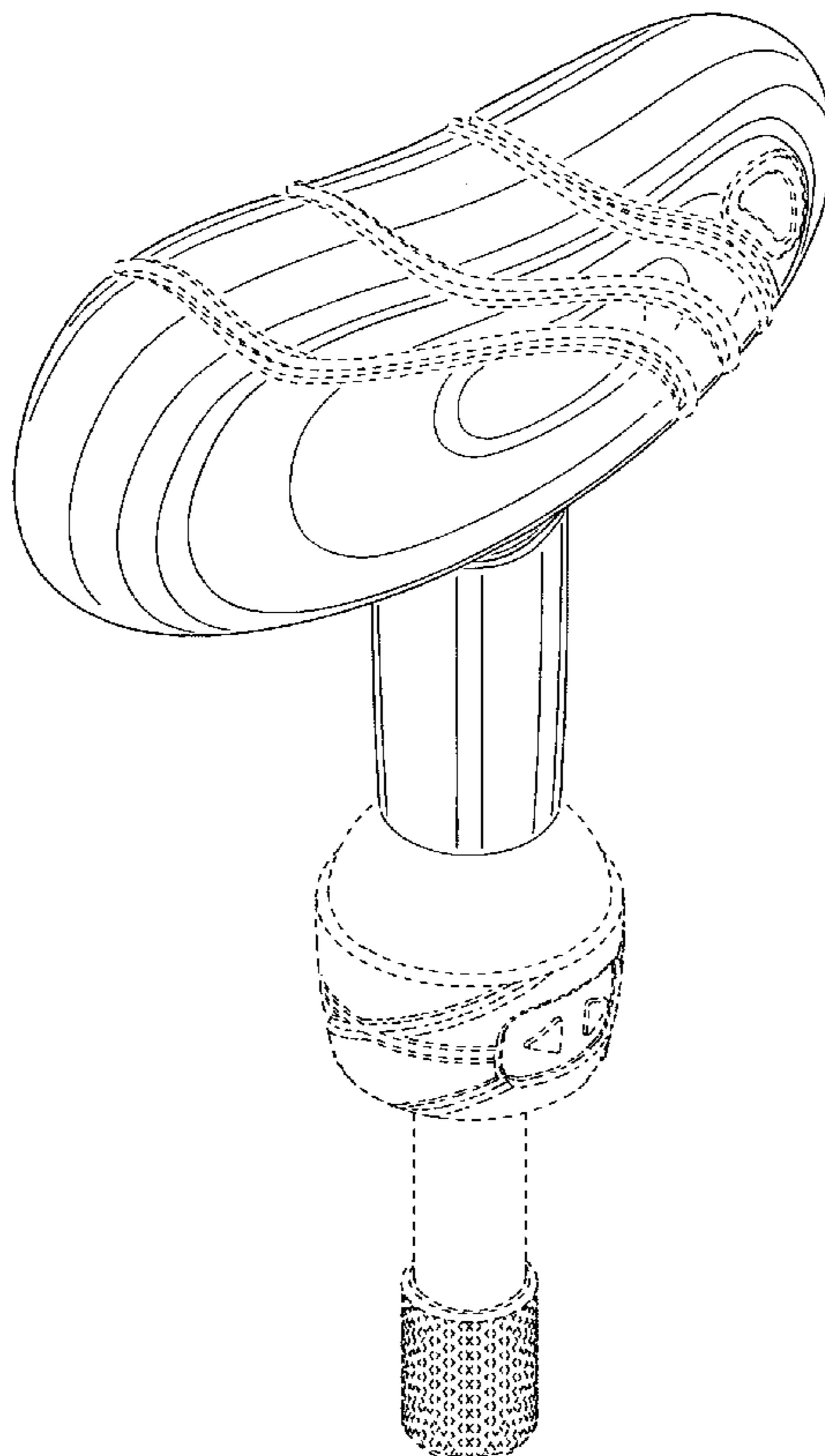
(57) **CLAIM**  
The ornamental design for a tool handle, as shown and described.

**DESCRIPTION**

FIG. 1 is a left front perspective view of the tool handle of the present invention showing my new design; FIG. 2 is a front elevational view thereof; FIG. 3 is a back elevational view thereof; FIG. 4 is a left side elevational view thereof; FIG. 5 is a right side elevational view thereof; FIG. 6 is a top plan view thereof; FIG. 7 is a bottom plan view thereof; and, FIG. 8 is a right front perspective view thereof. The broken lines in the drawings illustrate features of the tool handle that form no part of the claim.

**1 Claim, 6 Drawing Sheets**

- (56) **References Cited**
- U.S. PATENT DOCUMENTS
- D107,007 S \* 11/1937 Cashmore ..... D8/82
- D113,158 S \* 1/1939 Cashmore ..... D8/82
- 4,893,529 A \* 1/1990 Lin ..... 81/177.4
- D356,239 S \* 3/1995 Lin ..... D8/82
- D393,787 S \* 4/1998 Savoie ..... D8/21
- D409,463 S \* 5/1999 McMullin ..... D8/25
- 6,151,998 A \* 11/2000 Fu-Hui ..... 81/177.4



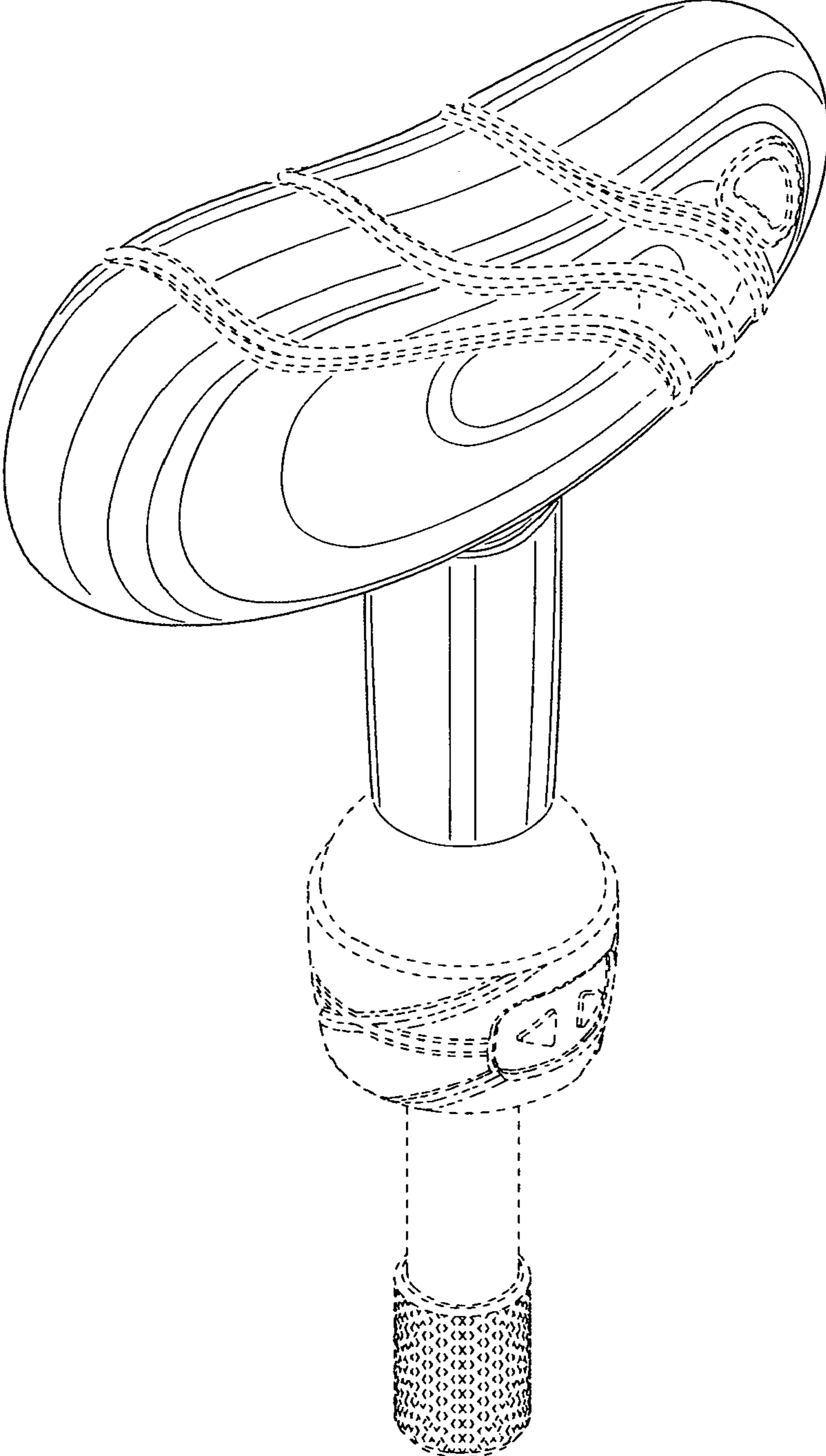


FIG. 1

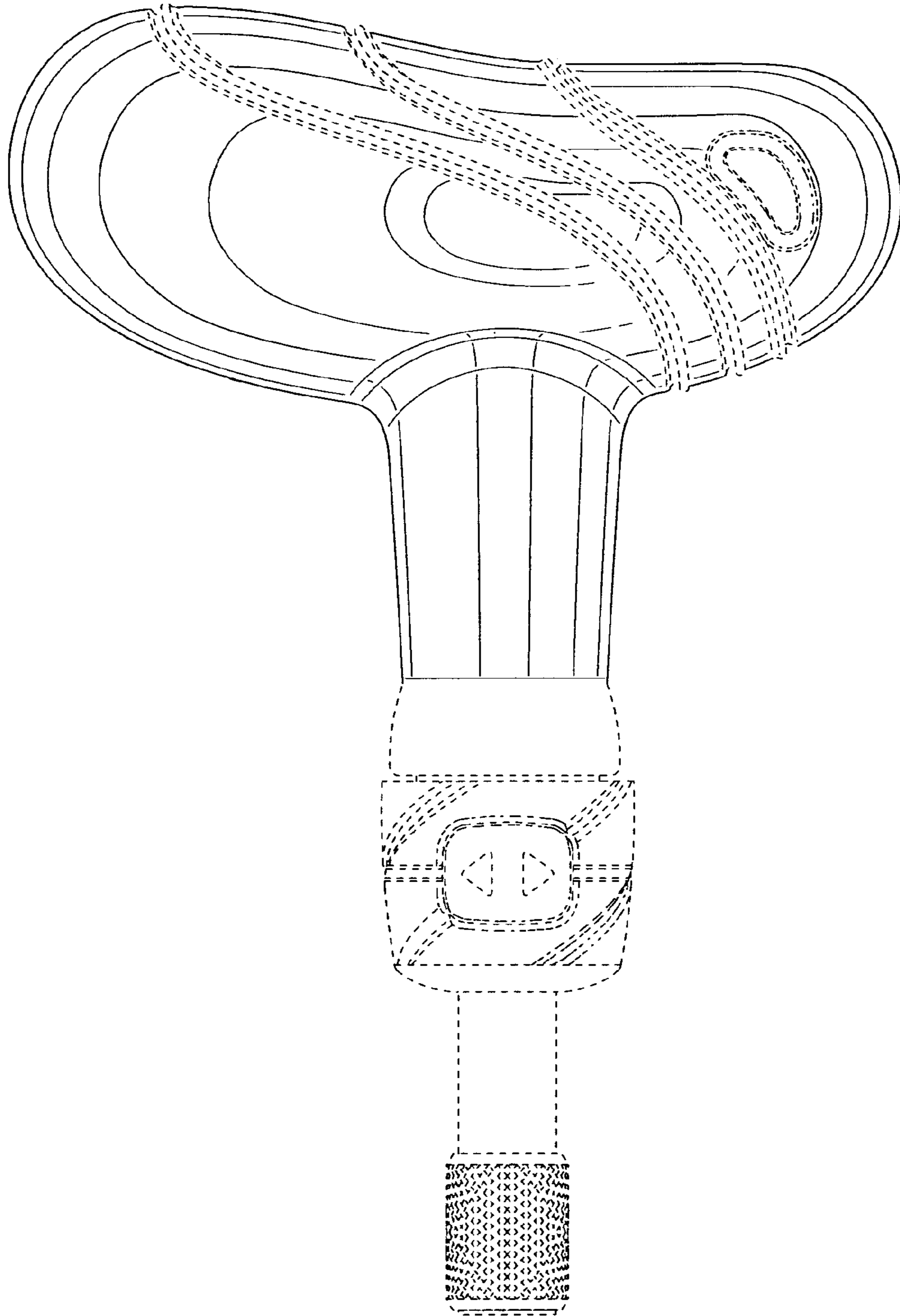


FIG. 2

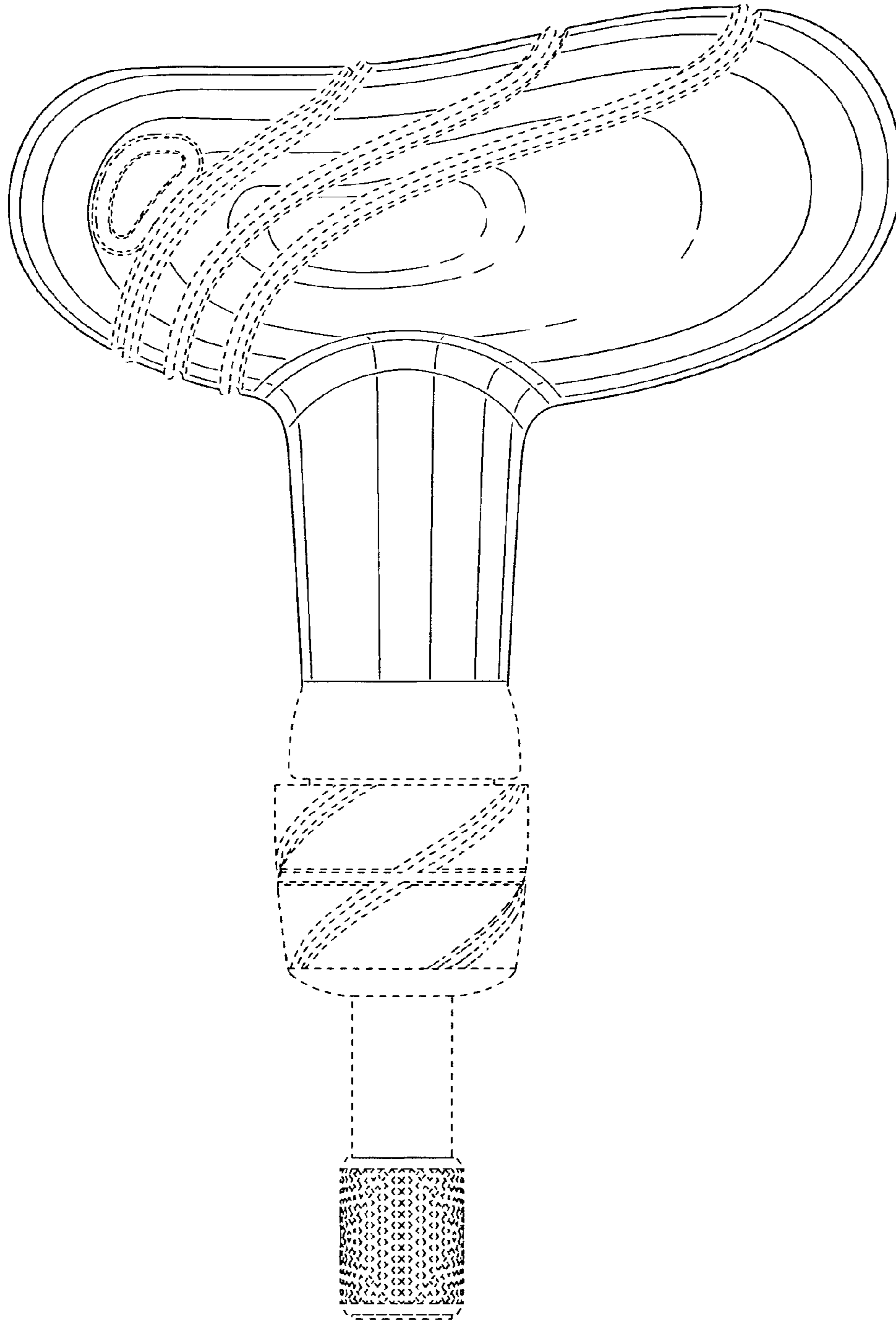


FIG. 3



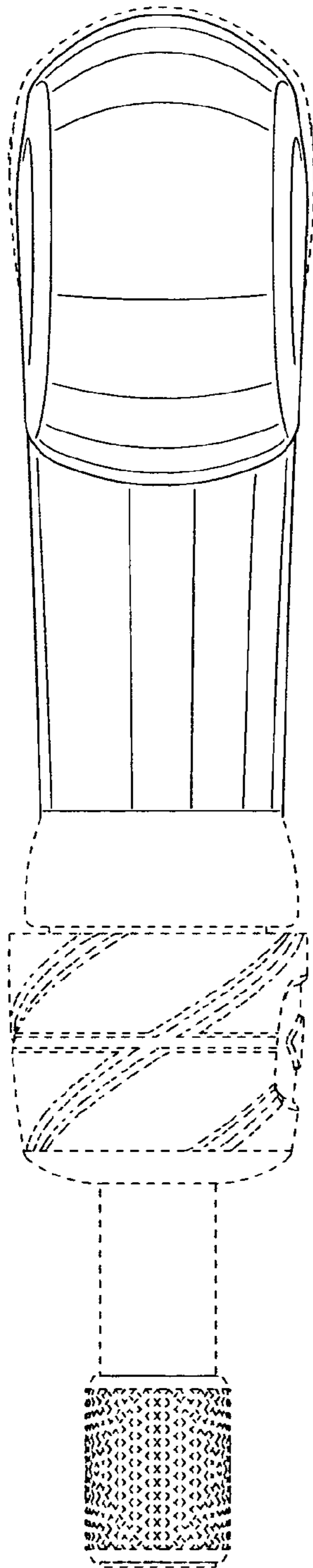


FIG. 4

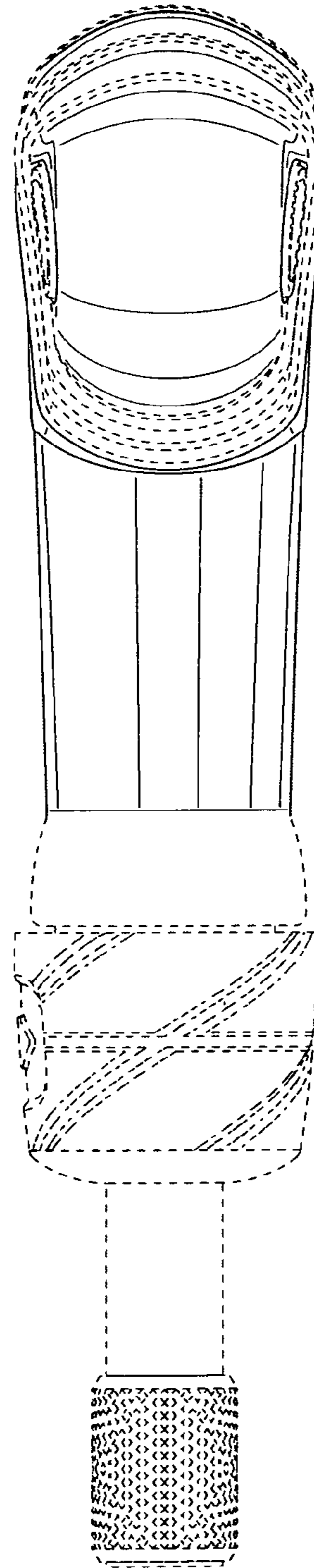


FIG. 5

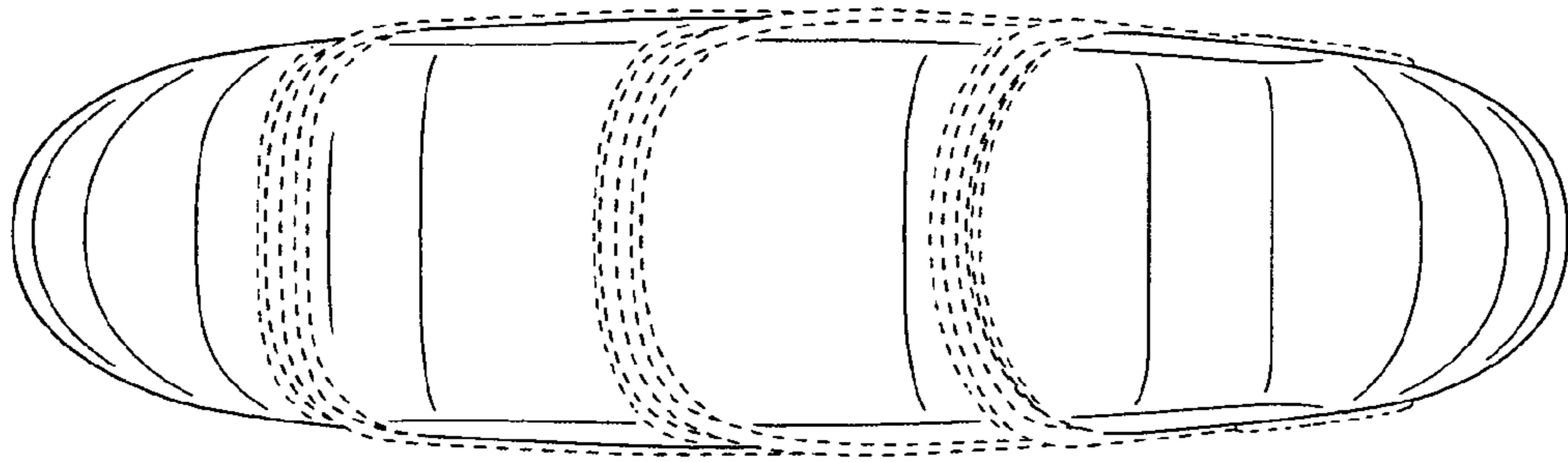


FIG. 6

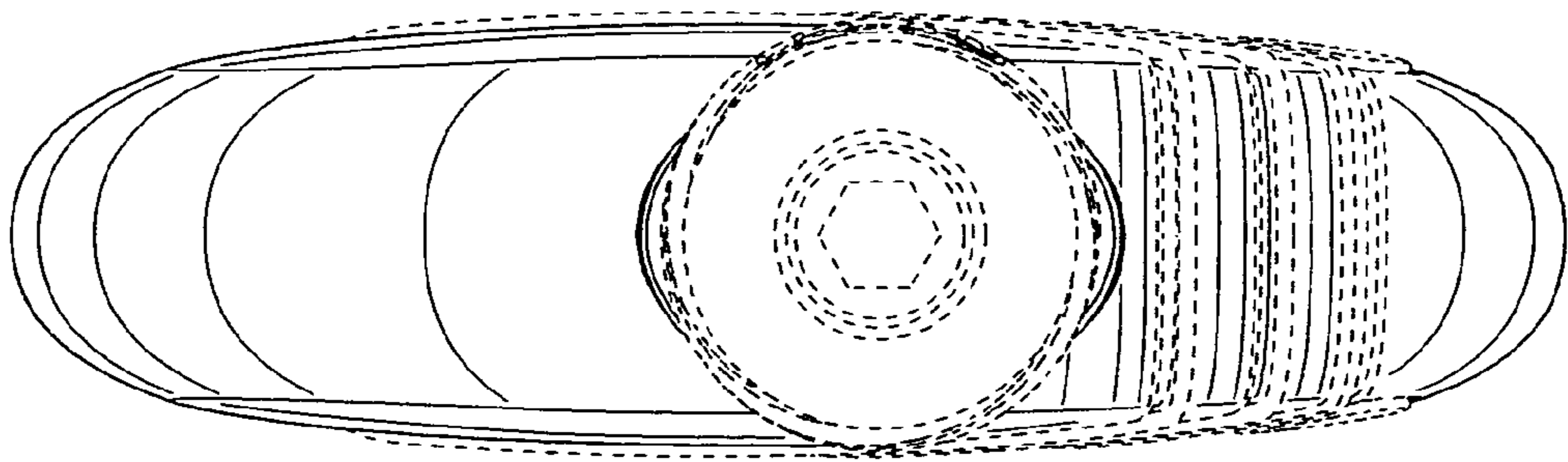


FIG. 7

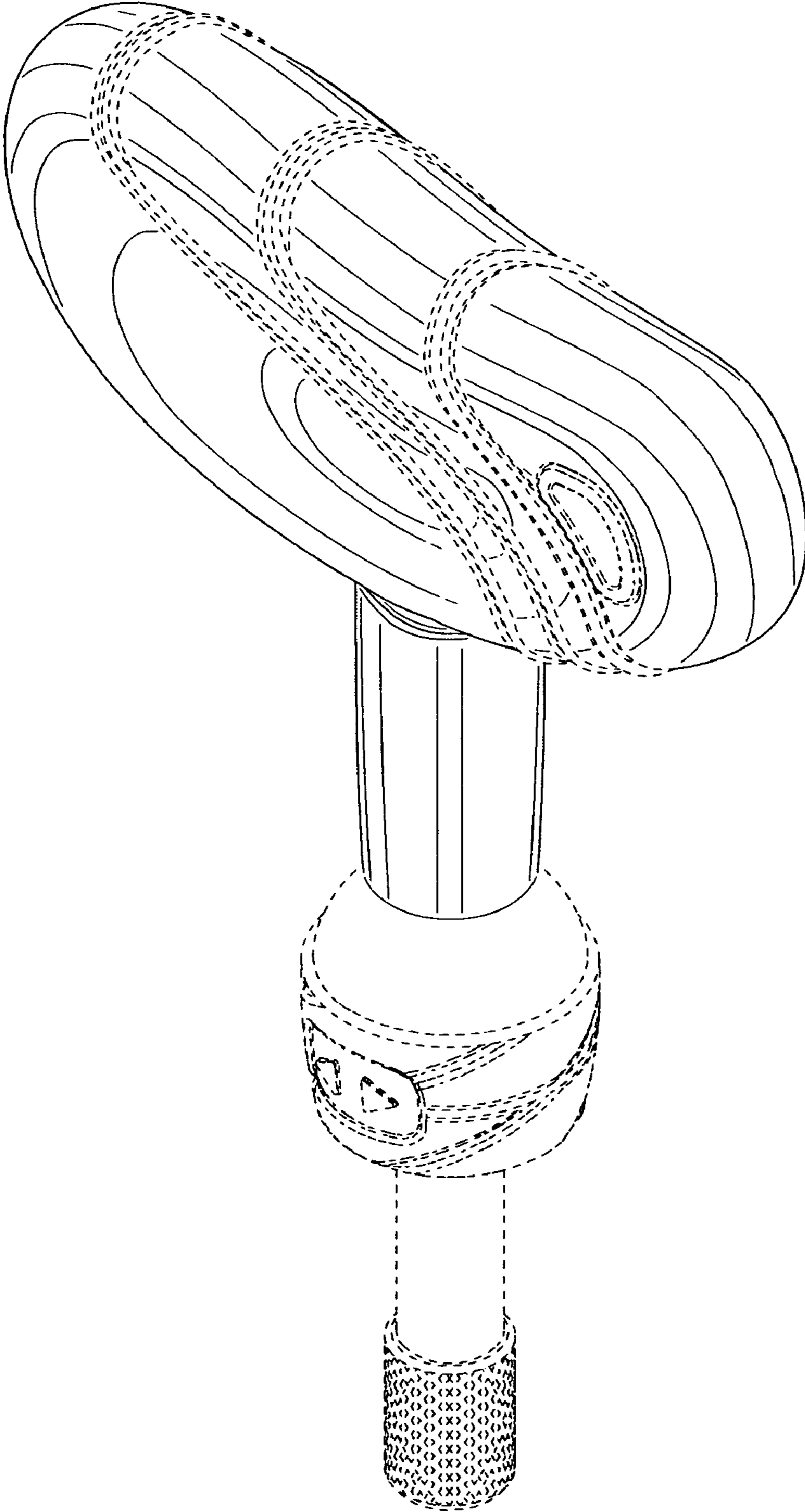


FIG. 8