



US00D673831S

(12) **United States Design Patent**
Molina et al.

(10) **Patent No.:** **US D673,831 S**
(45) **Date of Patent:** **** Jan. 8, 2013**

(54) **TOOL HANDLE**

(75) Inventors: **Francisco Molina**, Sunrise, FL (US);
Glenn Robinson, Deerfield Beach, FL (US)

(73) Assignee: **IBT Holdings, LLC**, Deerfield Beach, FL (US)

(**) Term: **14 Years**

(21) Appl. No.: **29/374,857**

(22) Filed: **Oct. 18, 2011**

(51) **LOC (9) Cl.** **08-04**

(52) **U.S. Cl.** **D8/83**

(58) **Field of Classification Search** D8/21,
D8/24–25, 29, 82–87, 107, 300, 312–314;
81/52, 177.1–177.4, 177.7, 489–491
See application file for complete search history.

(56) **References Cited**

U.S. PATENT DOCUMENTS

D107,007	S	*	11/1937	Cashmore	D8/82
D113,158	S	*	1/1939	Cashmore	D8/82
4,893,529	A	*	1/1990	Lin	81/177.4
D356,239	S	*	3/1995	Lin	D8/82
D393,787	S	*	4/1998	Savoie	D8/21
D409,463	S	*	5/1999	McMullin	D8/25
6,151,998	A	*	11/2000	Fu-Hui	81/177.4

7,272,999	B2	*	9/2007	Cutler et al.	81/475
D565,380	S	*	4/2008	Rinner	D8/83
D586,634	S	*	2/2009	Lai	D8/21
D613,144	S	*	4/2010	Lin	D8/83
D618,527	S	*	6/2010	Deguglimo et al.	D8/29
2010/0288087	A1	*	11/2010	Lai	81/490

* cited by examiner

Primary Examiner — Philip S Hyder

Assistant Examiner — Roselynn Cody

(74) *Attorney, Agent, or Firm* — Dan DeLaRosa

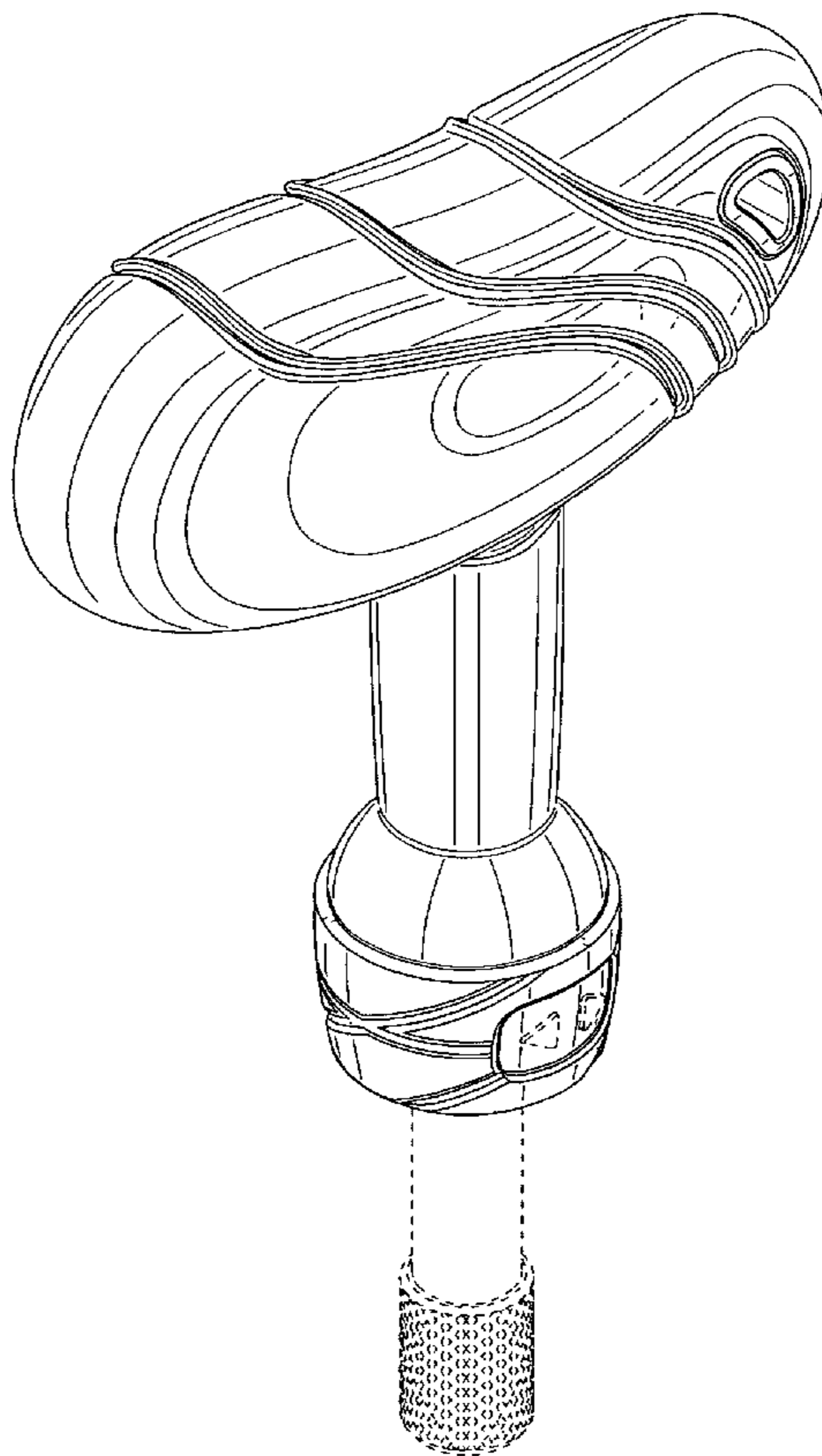
(57) **CLAIM**

The ornamental design for a tool handle, as shown and described.

DESCRIPTION

FIG. 1 is a left front perspective view of the tool handle of the present invention showing my new design; FIG. 2 is a front elevational view thereof; FIG. 3 is a back elevational view thereof; FIG. 4 is a left side elevational view thereof; FIG. 5 is a right side elevational view thereof; FIG. 6 is a top plan view thereof; FIG. 7 is a bottom plan view thereof; and, FIG. 8 is a right front perspective view thereof. The broken lines in the drawings illustrate features of the tool handle that form no part of the claim.

1 Claim, 6 Drawing Sheets



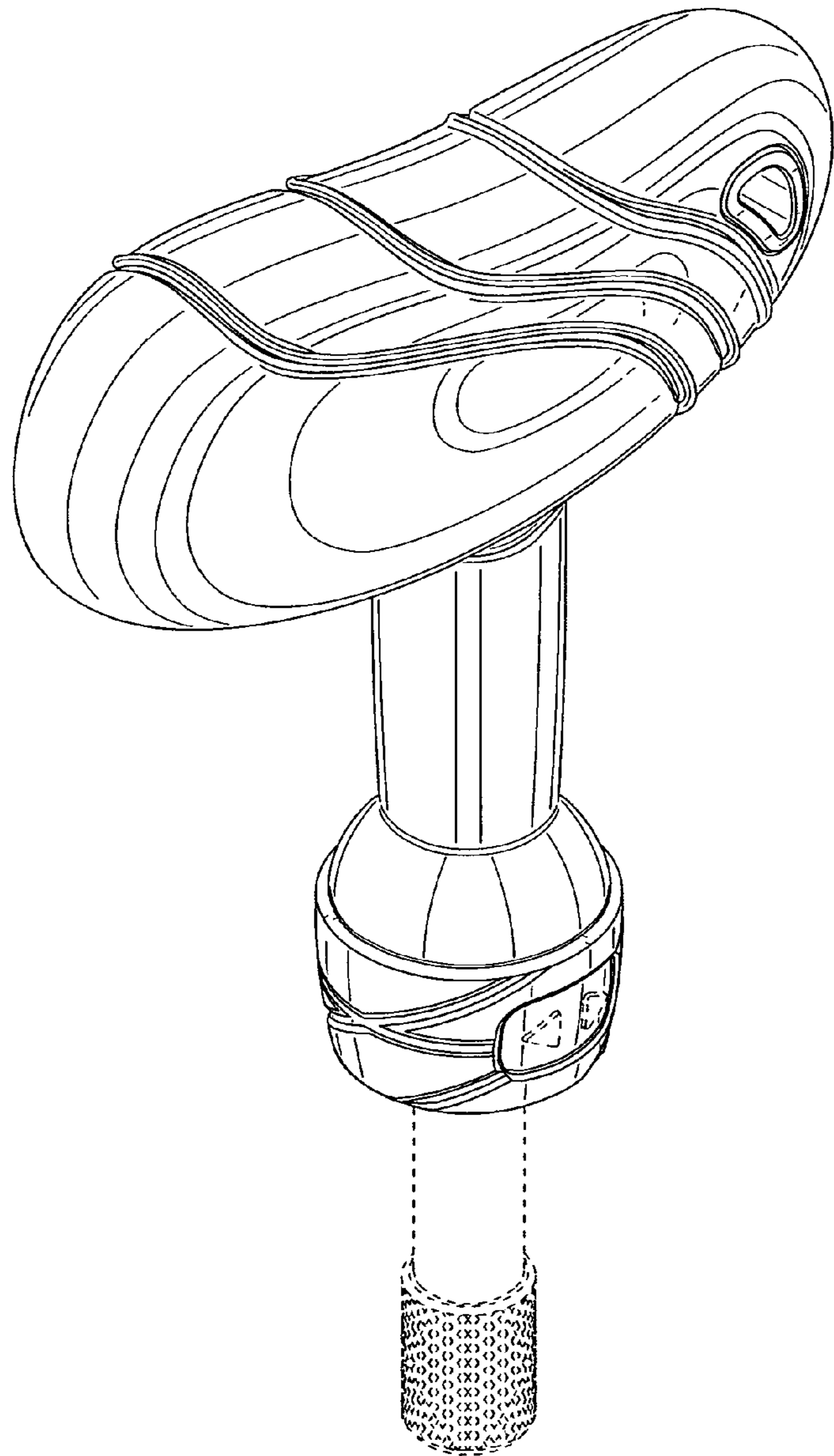


FIG. 1

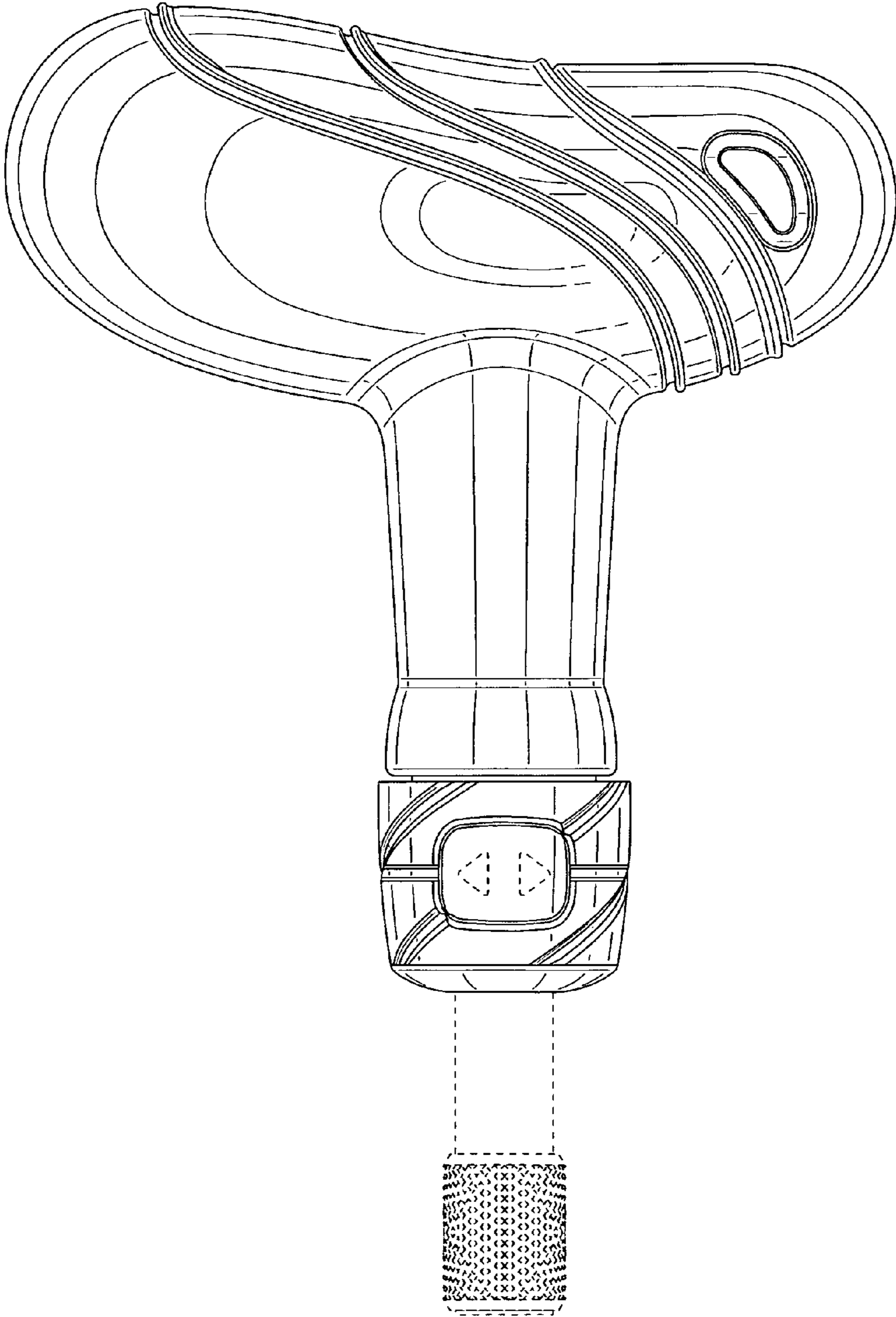


FIG. 2

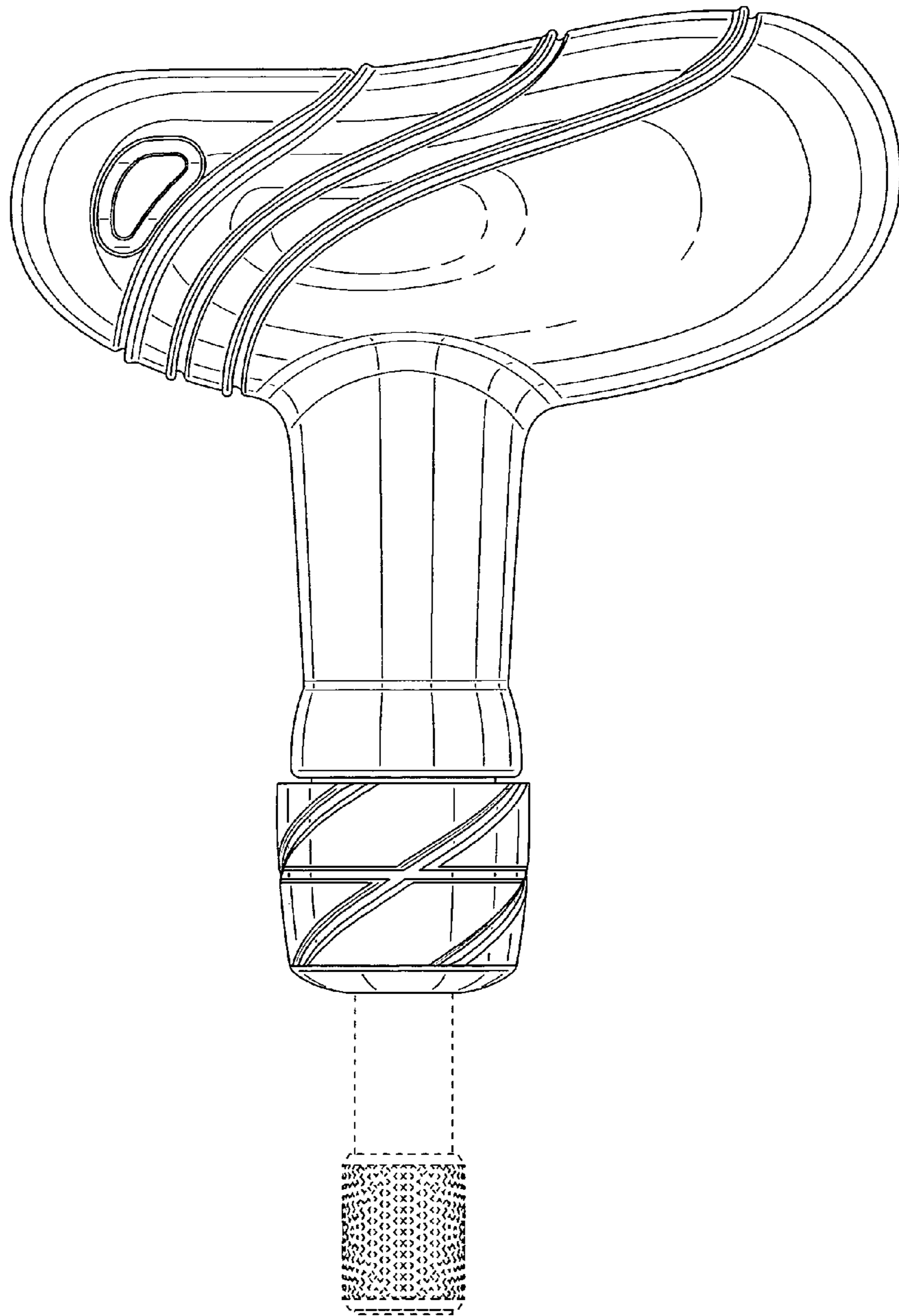


FIG. 3

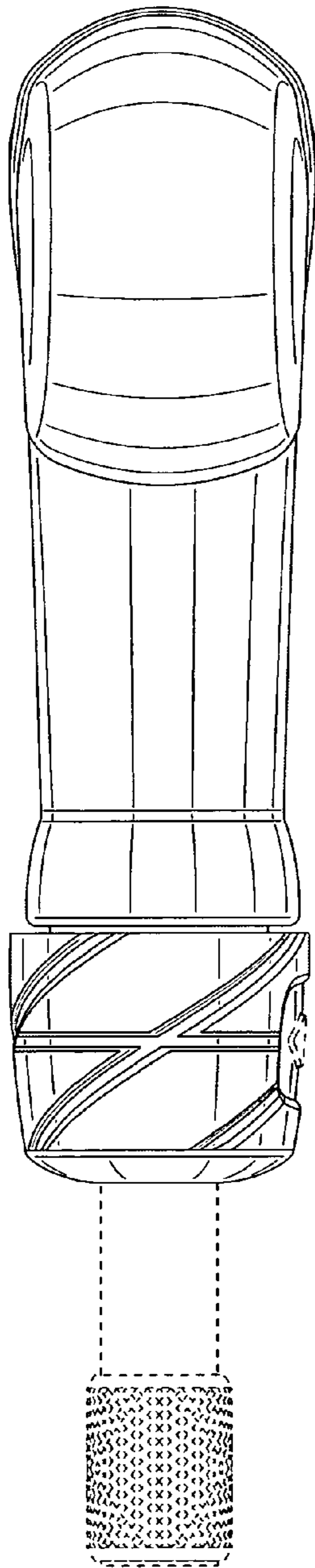


FIG. 4

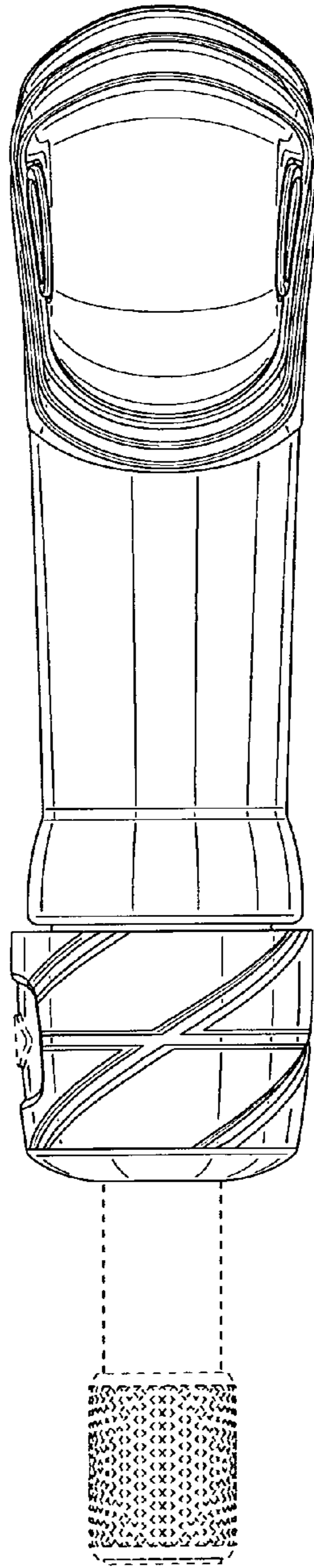


FIG. 5

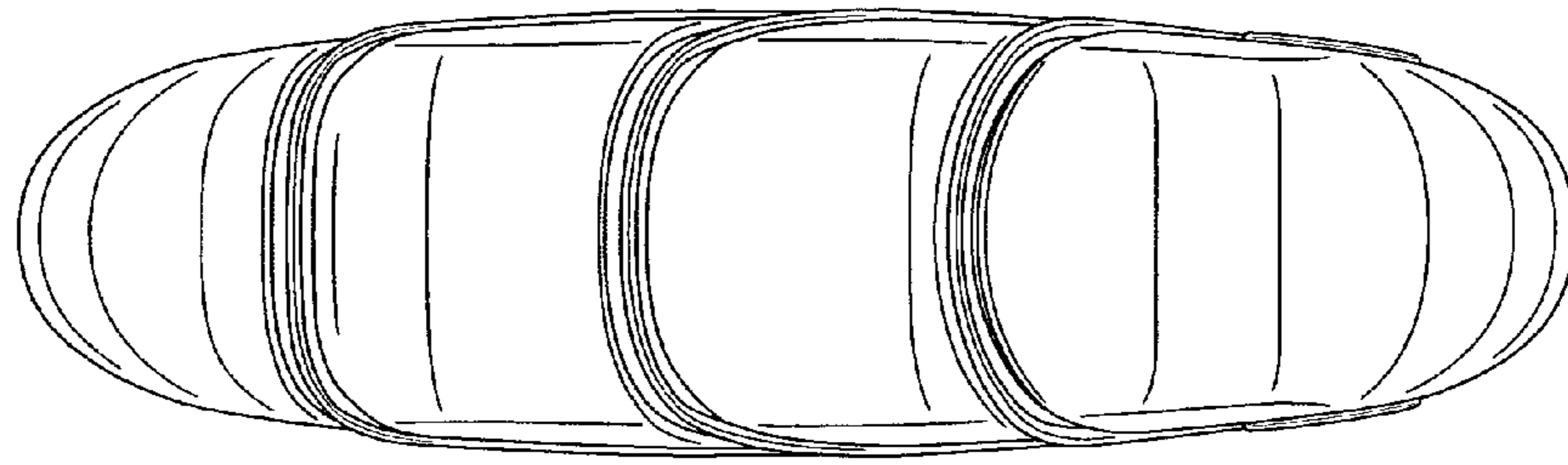


FIG. 6

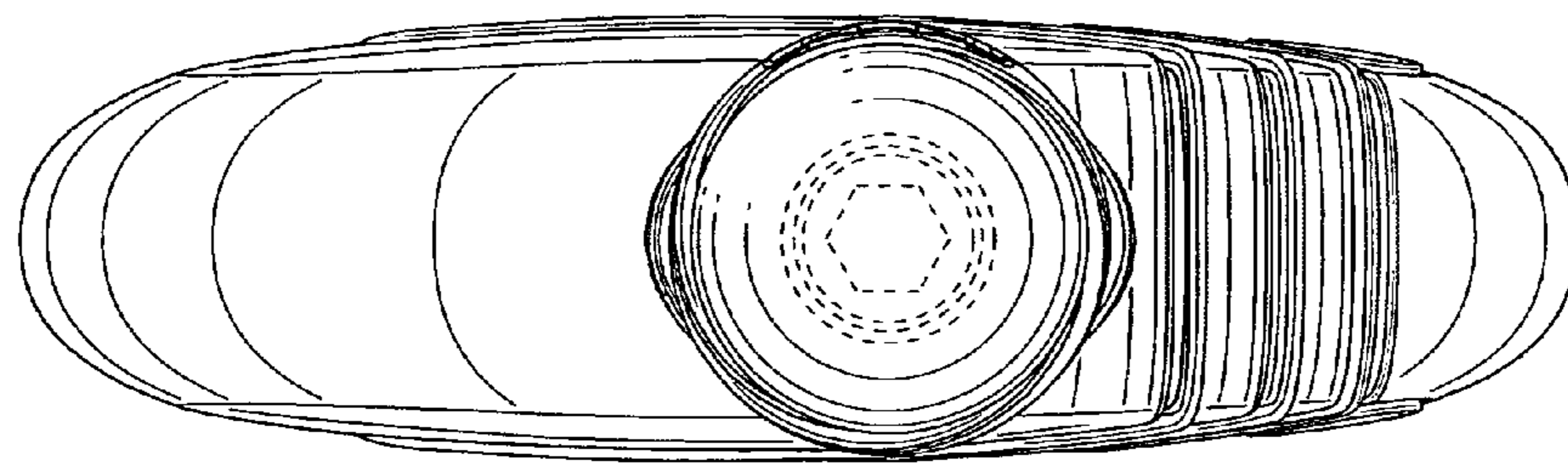


FIG. 7

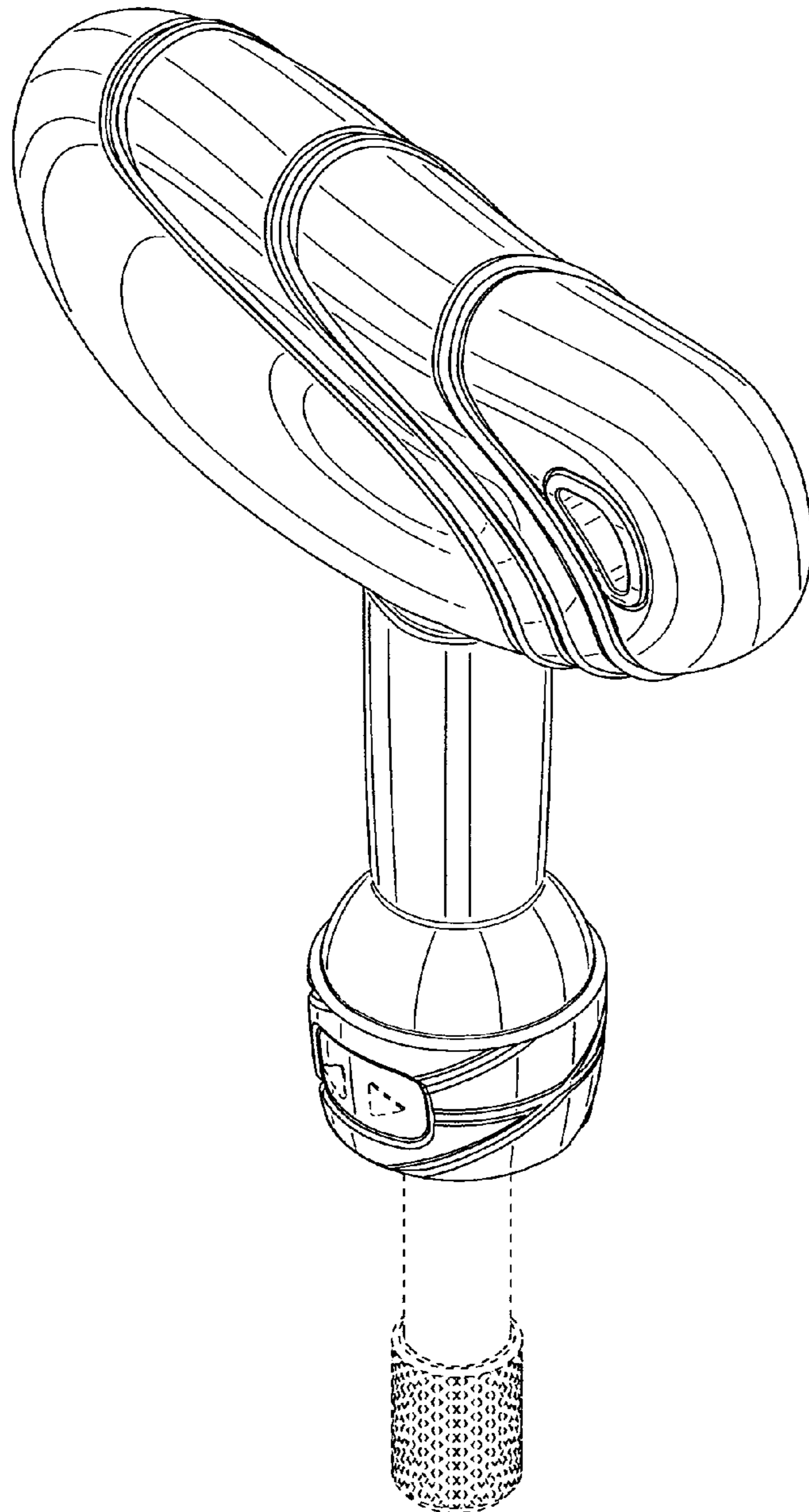


FIG. 8