



US00D673827S

(12) **United States Design Patent**
Cappuccio

(10) **Patent No.:** **US D673,827 S**

(45) **Date of Patent:** **** Jan. 8, 2013**

(54) **COMBINATION RATCHET AND BRAKE BAR**

(76) **Inventor:** **Louis W. Cappuccio**, Hammonton, NJ
(US)

(**) **Term:** **14 Years**

(21) **Appl. No.:** **29/422,272**

(22) **Filed:** **May 18, 2012**

(51) **LOC (9) Cl.** **08-05**

(52) **U.S. Cl.** **D8/25**

(58) **Field of Classification Search** D8/21-29;
81/58.3-59.16, 177.1, 177.85, 121.1, 124.3,
81/165-170, 110.1, 176.2, 124.6, 176.1,
81/176.15, 177.2; 16/110.1; D15/144.1;
219/75, 227, 229, 121.16, 121.18
See application file for complete search history.

(56) **References Cited**

U.S. PATENT DOCUMENTS

2,886,998	A *	5/1959	Scott	81/177.9
4,515,044	A *	5/1985	Harstad	81/61
5,471,898	A *	12/1995	Forman	81/57.29
5,921,157	A *	7/1999	Smith et al.	81/58.1
6,000,299	A *	12/1999	Cole	81/60
6,349,620	B1 *	2/2002	Anderson	81/73
6,848,344	B2 *	2/2005	Rocco	81/177.8
6,886,430	B1 *	5/2005	Tremblay et al.	81/177.8
7,137,323	B1 *	11/2006	Hsieh	81/467
7,603,931	B1 *	10/2009	Powell	81/439

D632,533	S *	2/2011	Cappuccio et al.	D8/25
2002/0108473	A1 *	8/2002	Warner	81/440
2003/0159549	A1 *	8/2003	Rocco	81/177.8

* cited by examiner

Primary Examiner — Raphael Barkai

Assistant Examiner — Randall Gholson

(74) *Attorney, Agent, or Firm* — Stuart M. Goldstein

(57) **CLAIM**

The ornamental design for the combination ratchet and brake bar, as shown and described.

DESCRIPTION

FIG. 1 is an perspective view of the design of the present invention.

FIG. 2 is a perspective view of the design of the present invention in an extended position.

FIG. 3 is a front view of the design of the present invention.

FIG. 4 is a rear view of the design of the present invention.

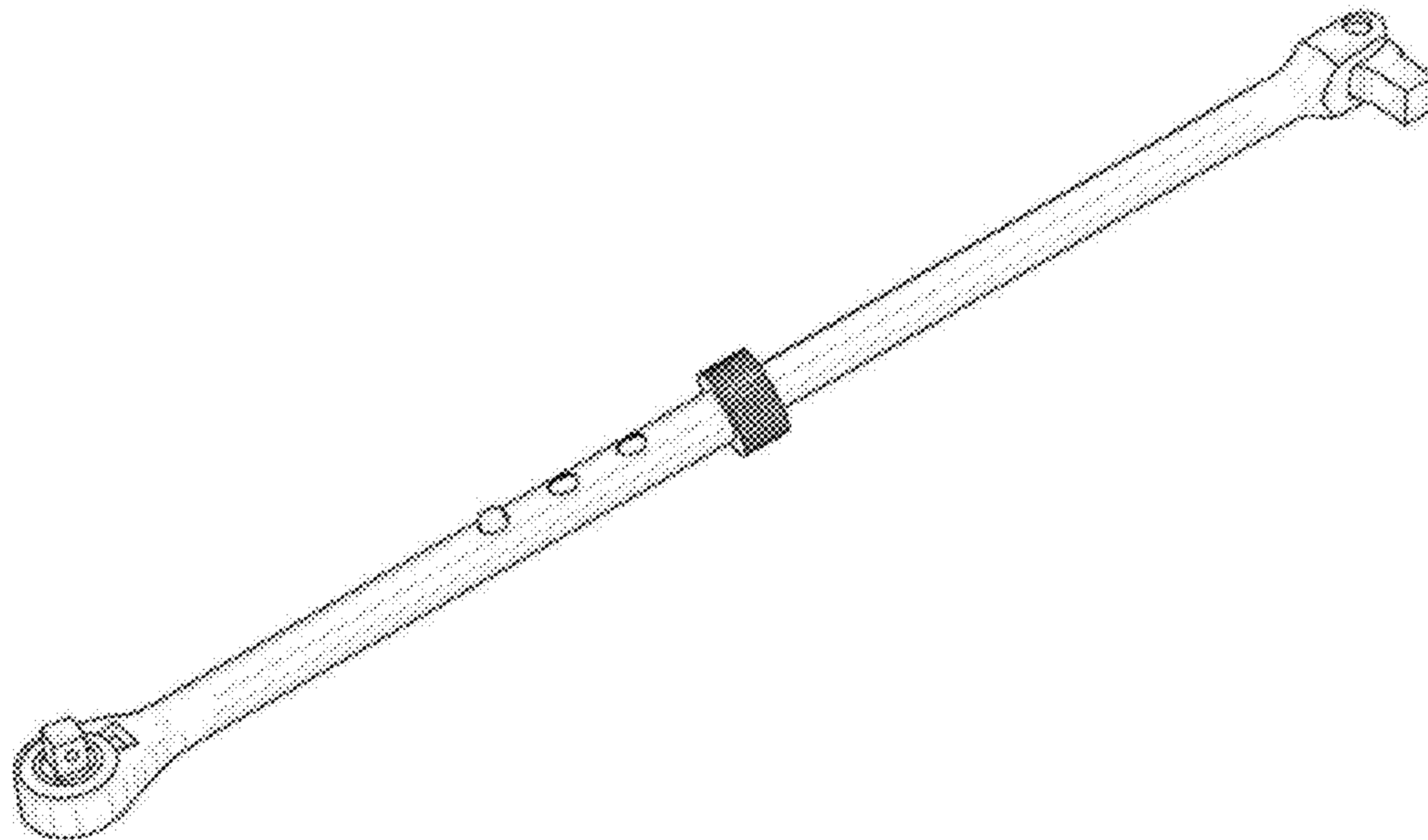
FIG. 5 is an elevation view of the design of the present invention.

FIG. 6 is the opposite elevation view of the design of the present invention.

FIG. 7 is a top view of the design of the present invention, enlarged with respect to the prior views for clarity; and,

FIG. 8 is a bottom view of the design of the present invention, enlarged with respect to the prior views for clarity.

1 Claim, 5 Drawing Sheets



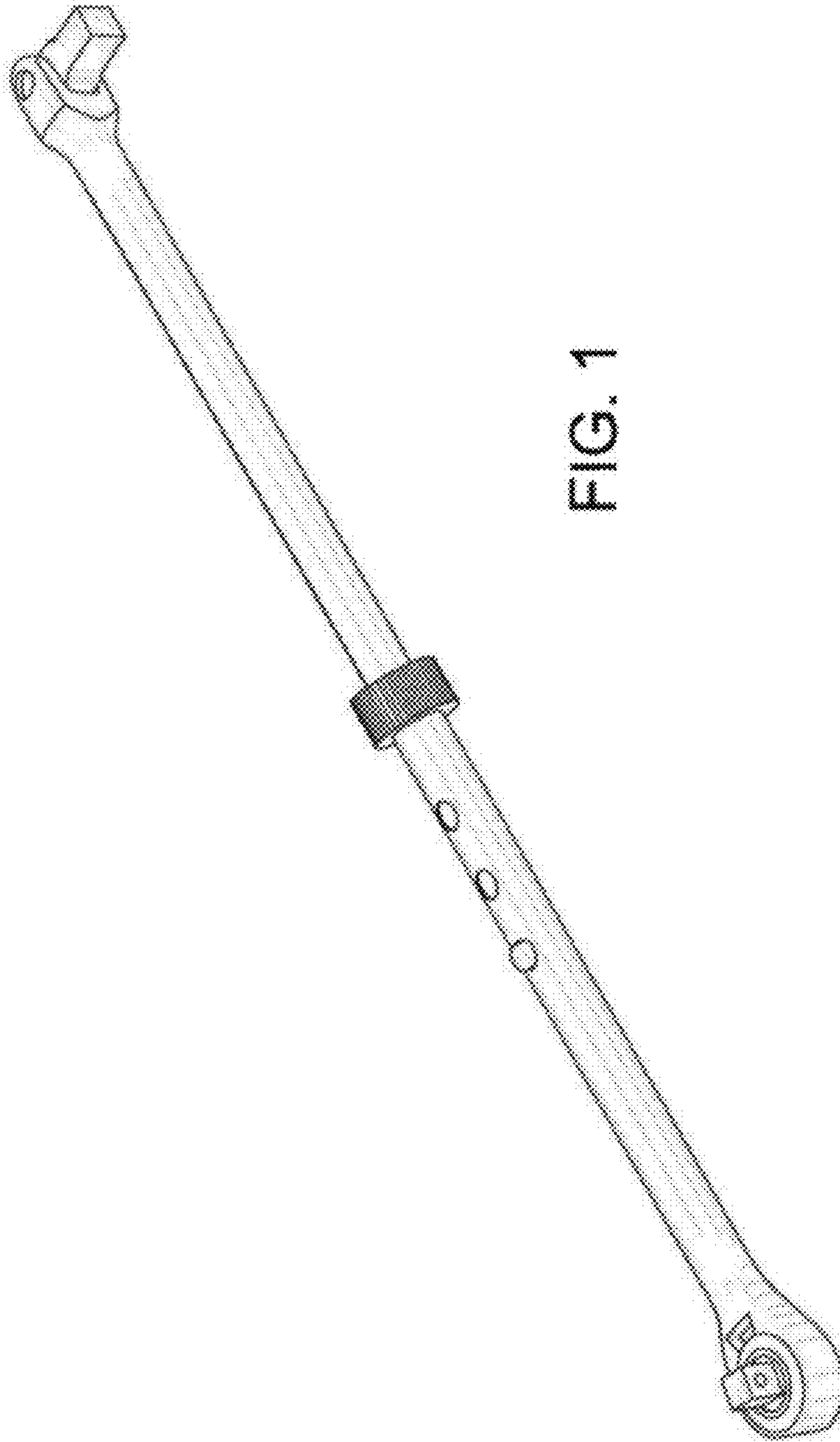


FIG. 1

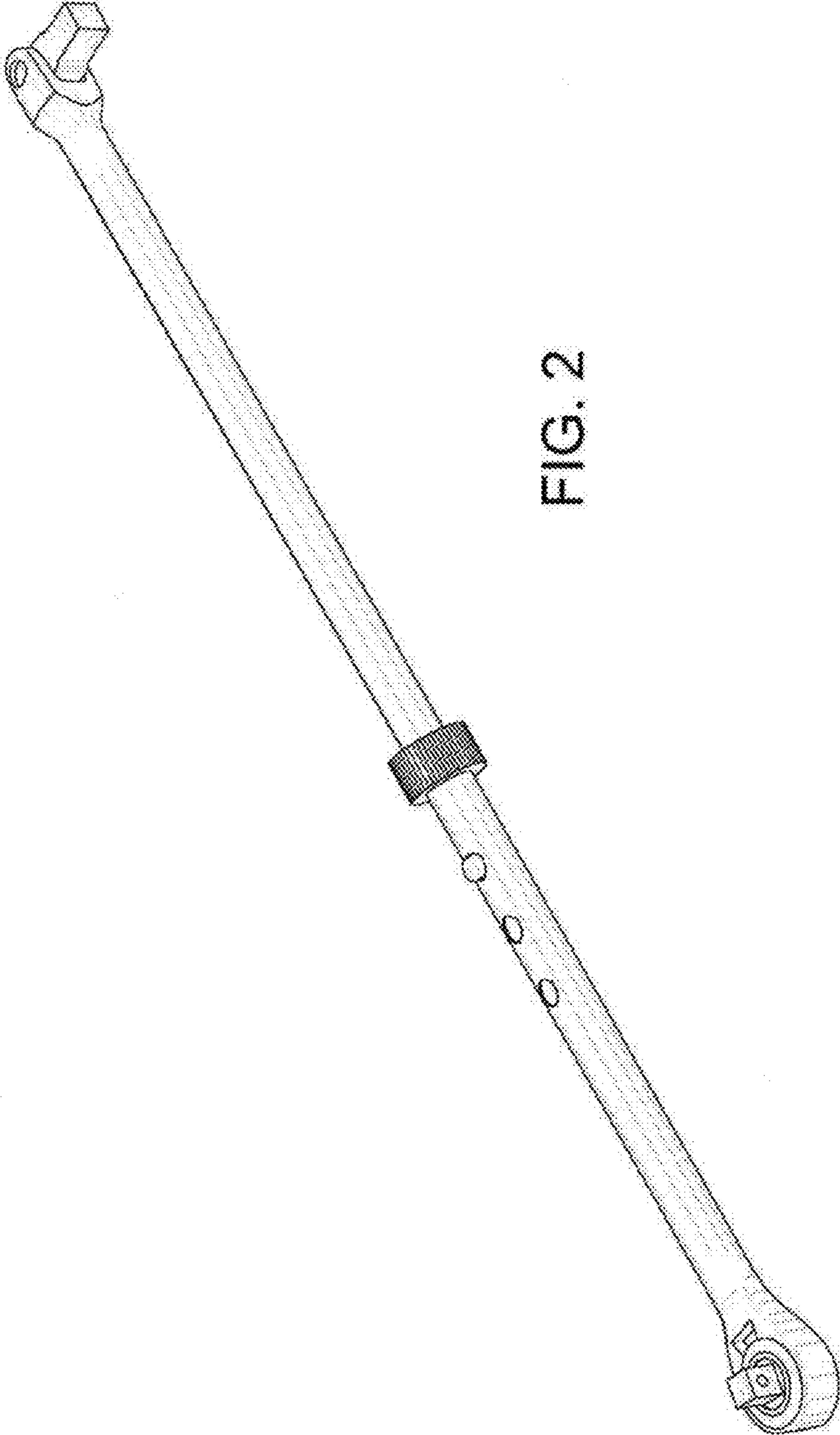


FIG. 2

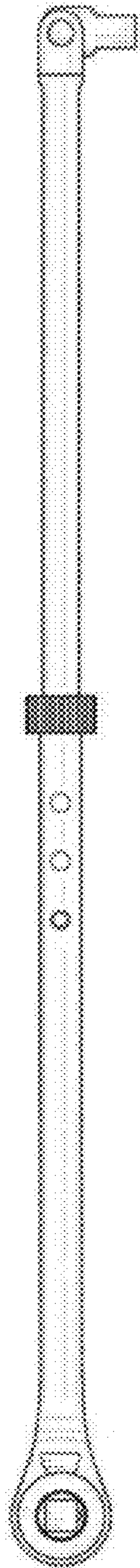


FIG. 3

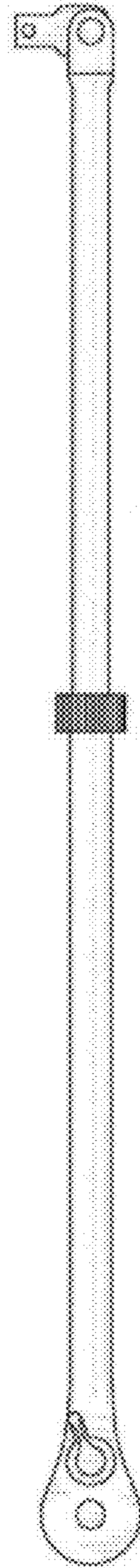


FIG. 4

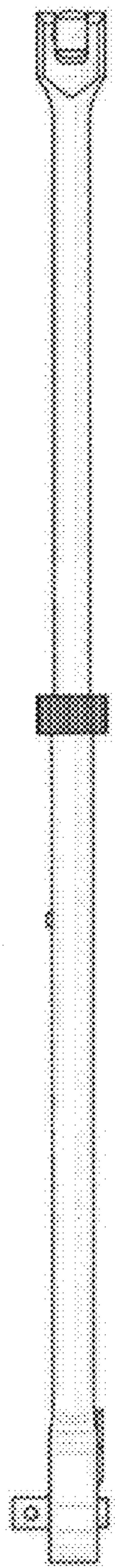


FIG. 5

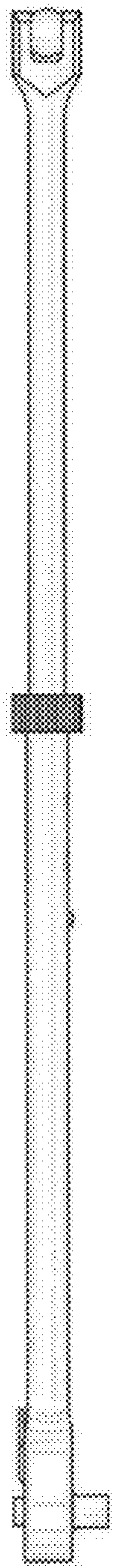


FIG. 6

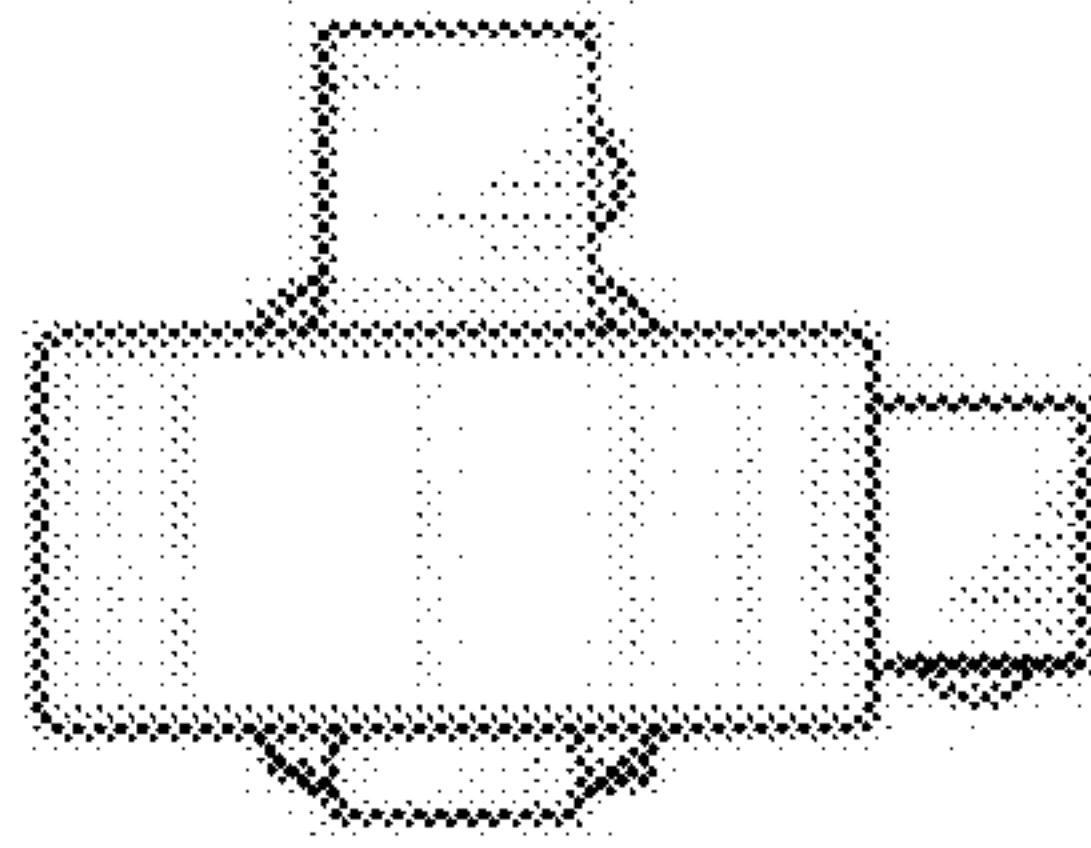


FIG. 7

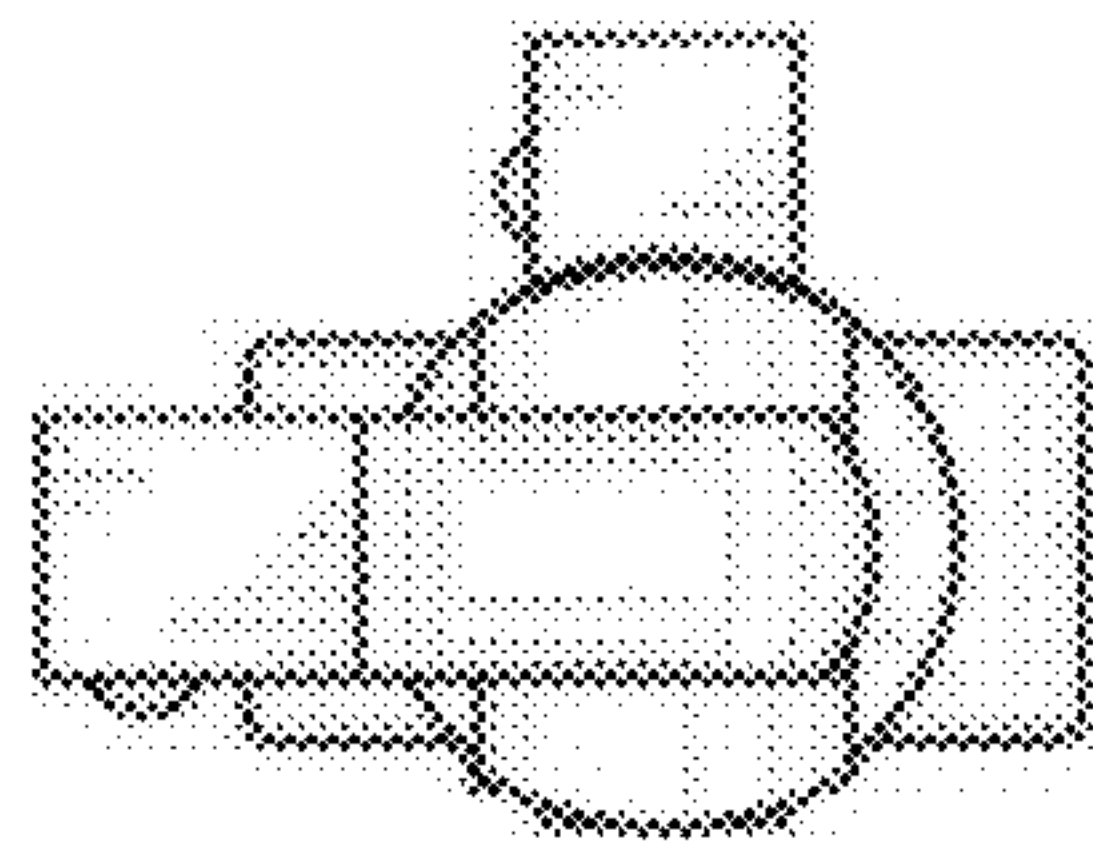


FIG. 8